



US00D626342S

(12) **United States Design Patent**
Chadwick

(10) **Patent No.:** **US D626,342 S**

(45) **Date of Patent:** **** Nov. 2, 2010**

(54) **ELECTRONIC MEDIA DISPLAY SYSTEM**

2007/0133055 A1 6/2007 Johnson
2009/0231233 A1 9/2009 Liberatore

(75) Inventor: **Clarisse M. Chadwick**, Pleasant Grove,
UT (US)

* cited by examiner

(73) Assignee: **SDC Holdings, LLC**, Alta, WY (US)

Primary Examiner—Philip S Hyder
Assistant Examiner—Sydney R Buffalow

(**) Term: **14 Years**

(74) *Attorney, Agent, or Firm*—Workman Nydegger

(21) Appl. No.: **29/346,314**

(57) **CLAIM**

(22) Filed: **Oct. 29, 2009**

The ornamental design for an electronic media display system, as shown and described.

(51) **LOC (9) Cl.** **06-04**

(52) **U.S. Cl.** **D6/308; D14/371; D6/310**

(58) **Field of Classification Search** D6/300–314;
D19/59, 2, 26; D10/15, 24; D14/132, 371,
D14/381, 382, 336, 337, 130; 40/714, 721,
40/700, 768, 717

See application file for complete search history.

DESCRIPTION

FIG. 1 is a front perspective view of an electronic media display system showing my new design in use in an extended upright position;

FIG. 2 is a front perspective view thereof with the display unit shown in collapsed position;

FIG. 3 is a front elevational view of the electronic media display system as shown in FIG. 1;

FIG. 4 is a right elevational view thereof;

FIG. 5 is a top plan view thereof;

FIG. 6 is a rear elevational view thereof;

FIG. 7 is a left elevational view thereof; and,

FIG. 8 is a bottom plan view thereof.

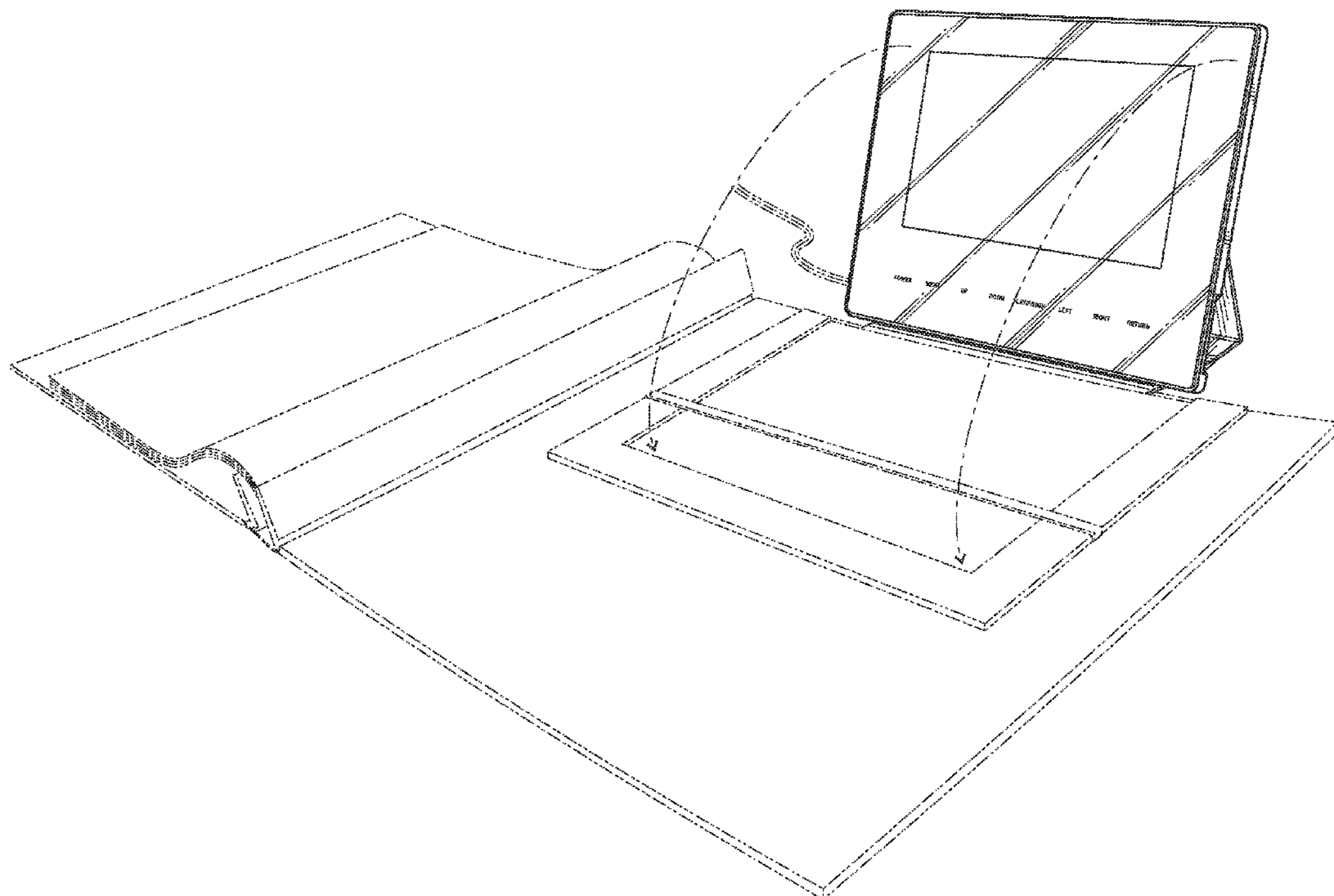
The broken lines included in the drawings are illustrative of the environment and form no part of the claimed design.

(56) **References Cited**

U.S. PATENT DOCUMENTS

D444,176 S *	6/2001	Leslie	D19/59
6,919,877 B2	7/2005	Hong		
D545,359 S *	6/2007	Bramhall	D19/2
D587,469 S *	3/2009	Lin	D6/308
D589,014 S *	3/2009	Zhan	D14/132
D600,455 S *	9/2009	Nell	D6/308
D602,259 S *	10/2009	Finnegan	D6/300
D614,871 S *	5/2010	Tang et al.	D6/308
2004/0205646 A1	10/2004	Sachs		
2005/0060636 A1	3/2005	Mathe		

1 Claim, 4 Drawing Sheets



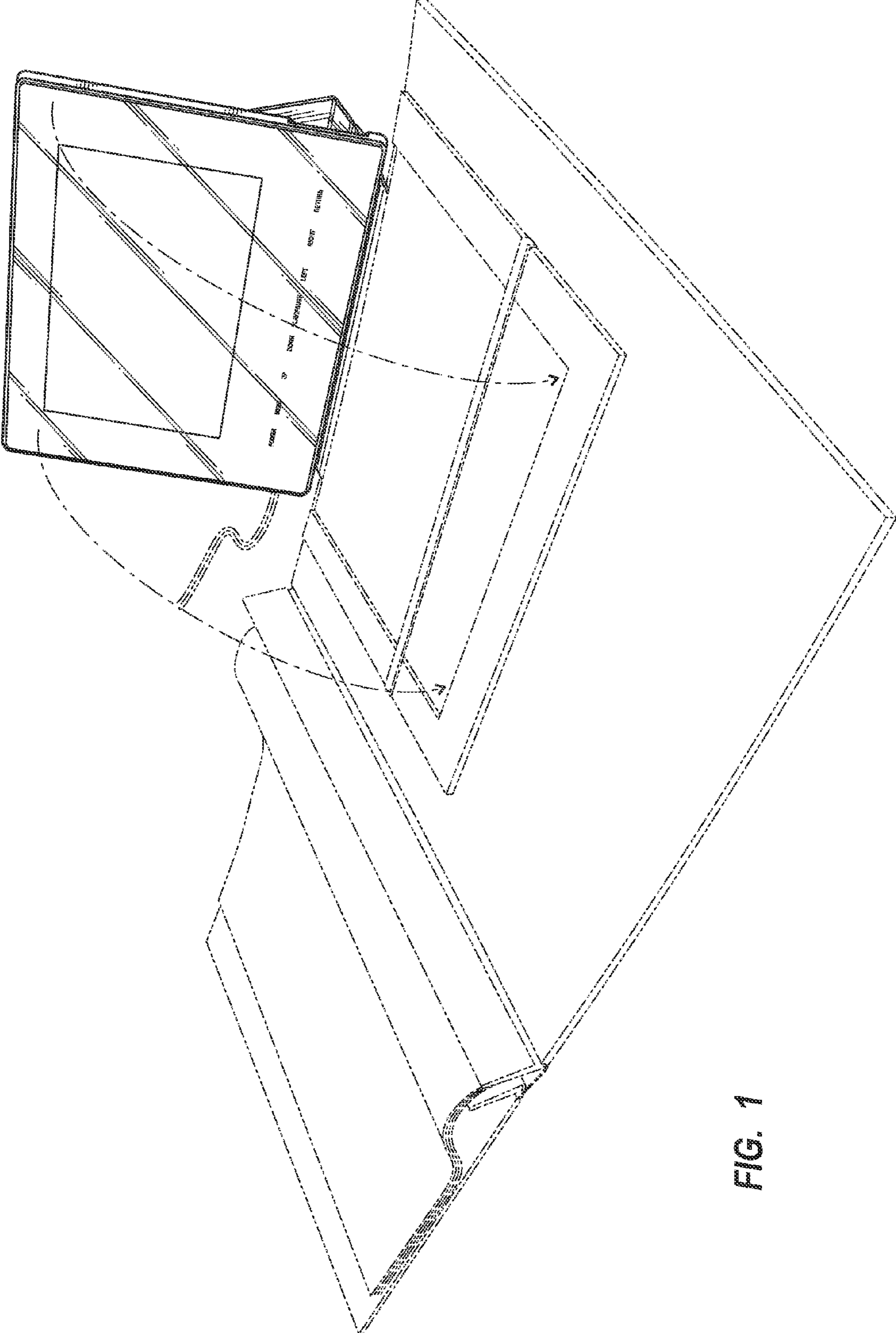


FIG. 1

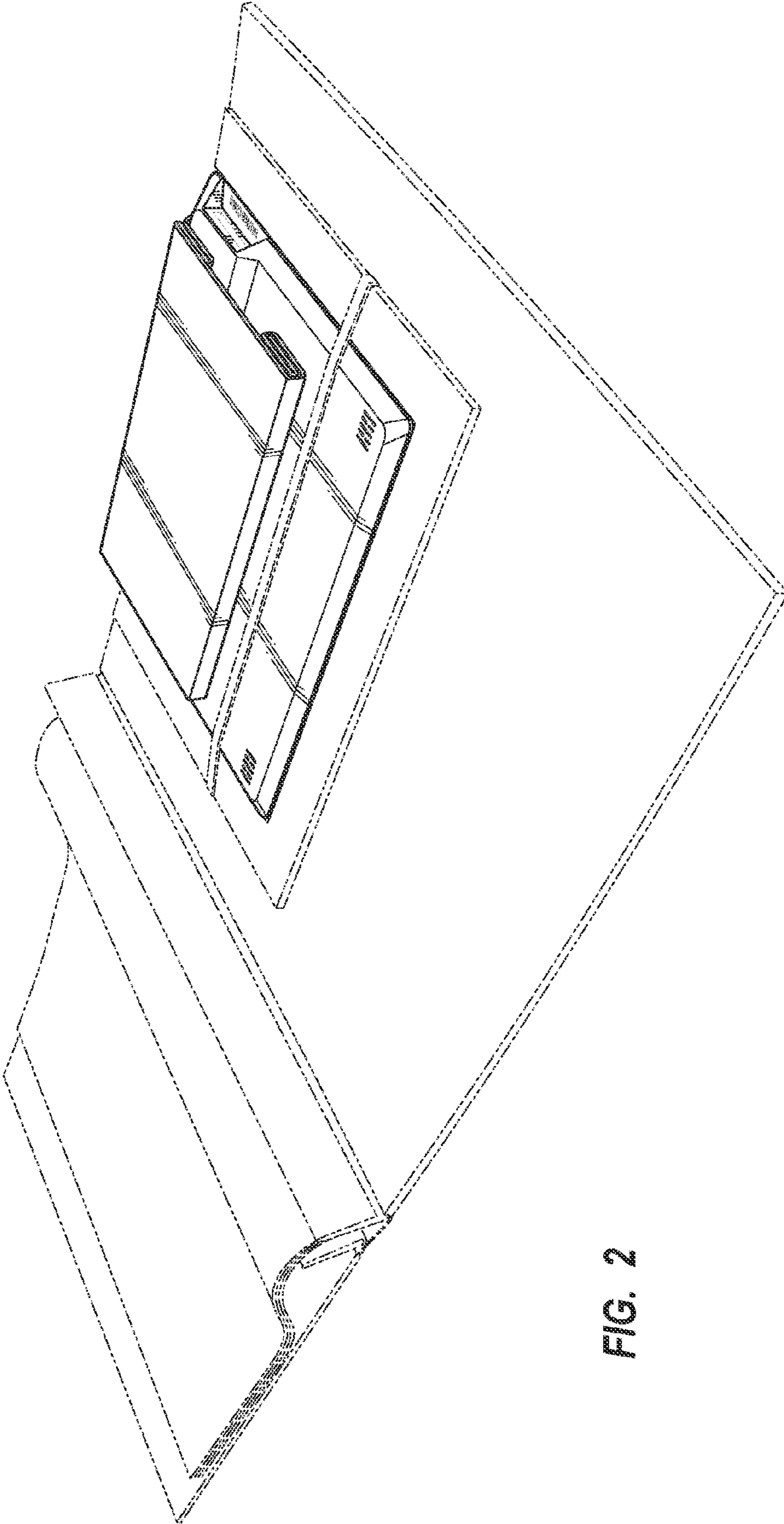


FIG. 2

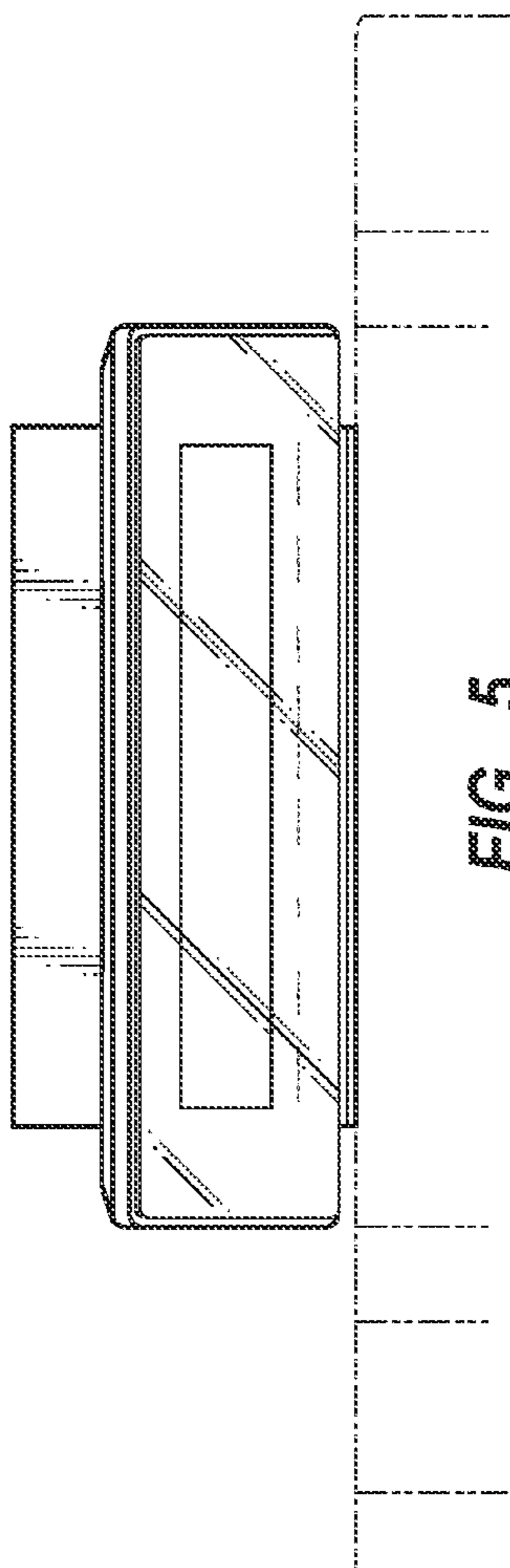


FIG. 5

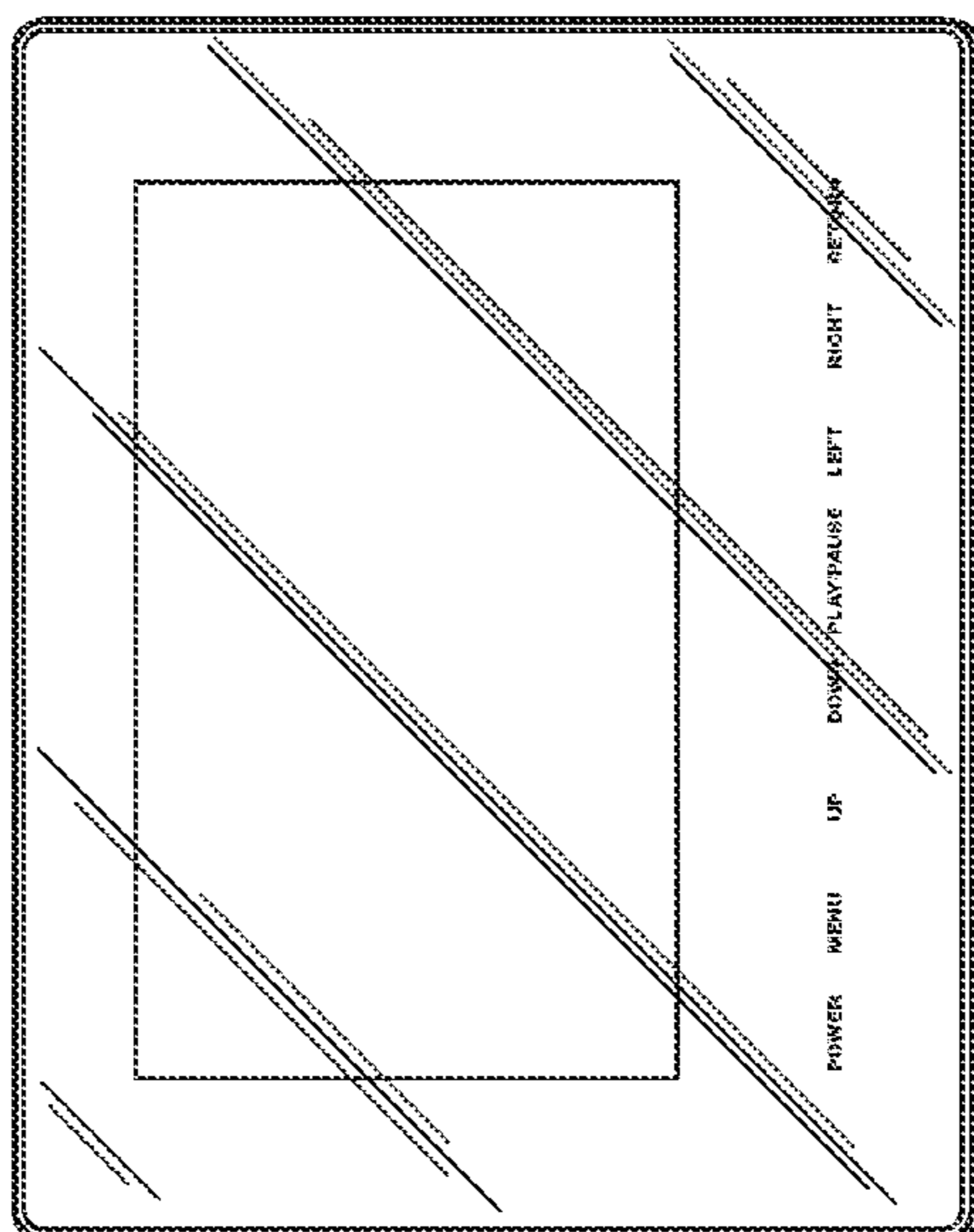


FIG. 3

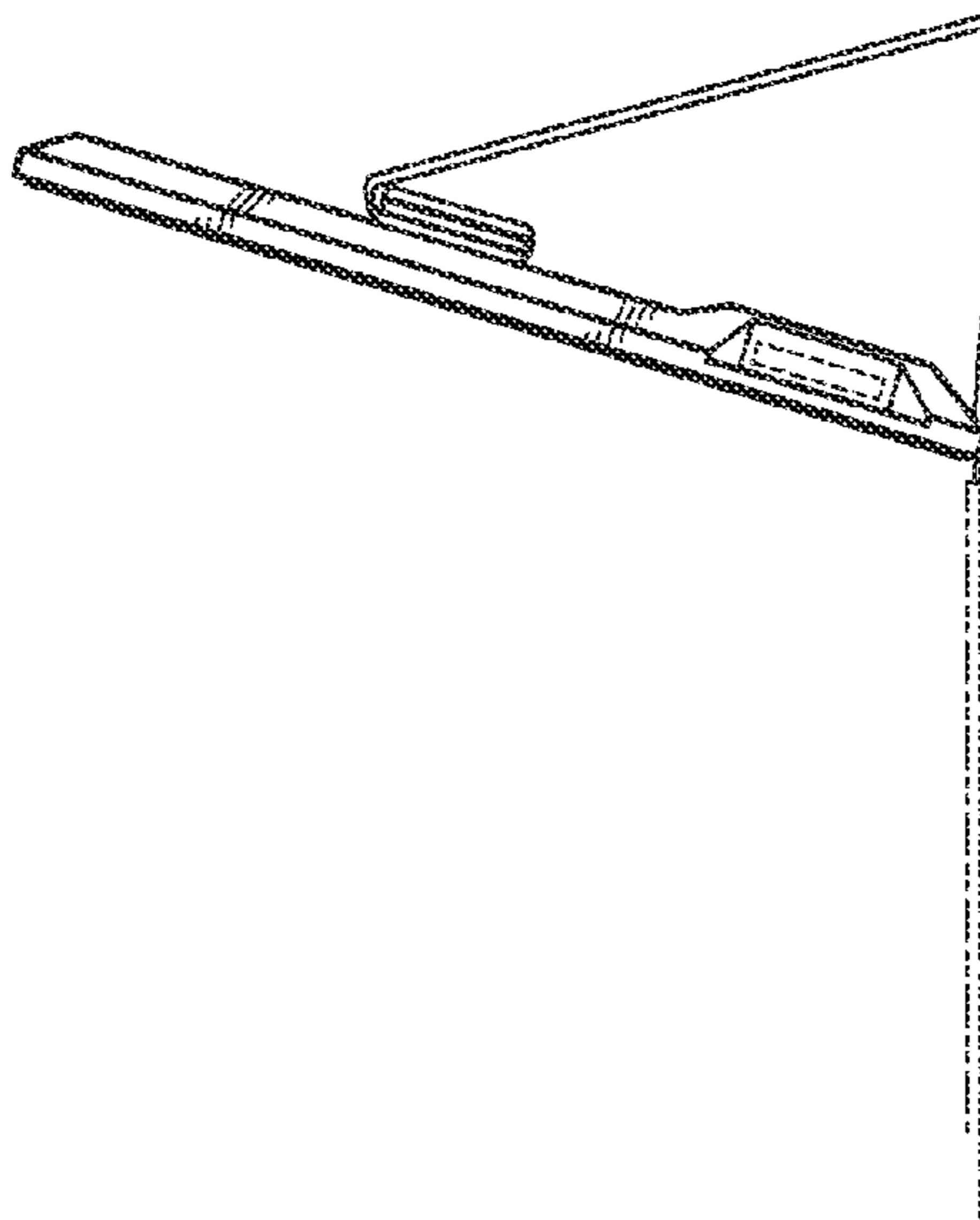


FIG. 4

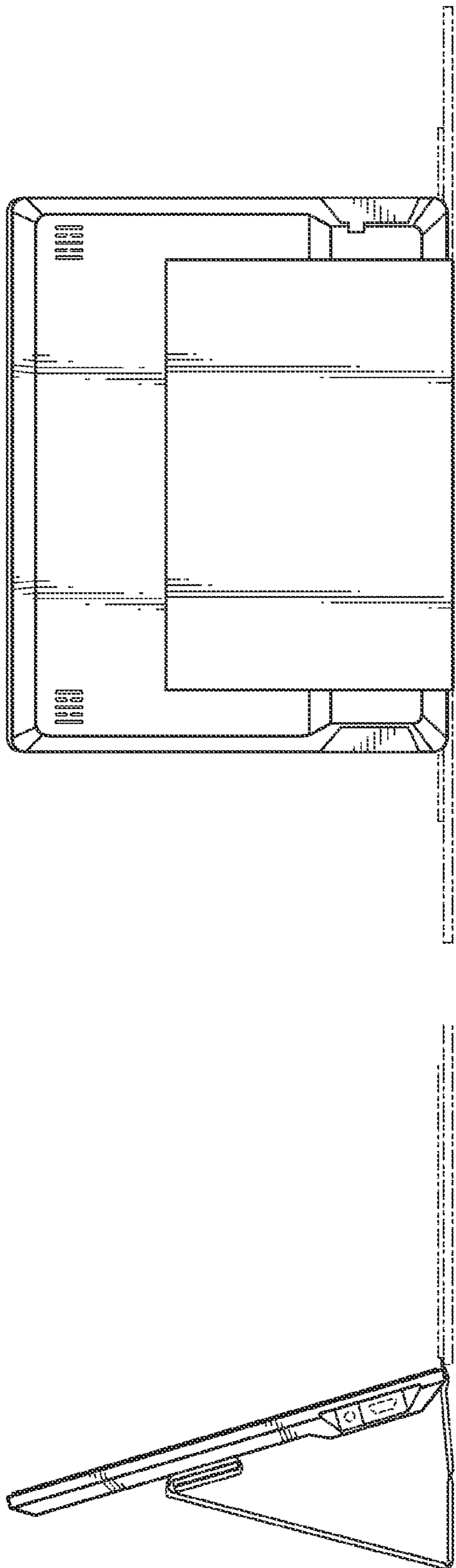


FIG. 6

FIG. 7

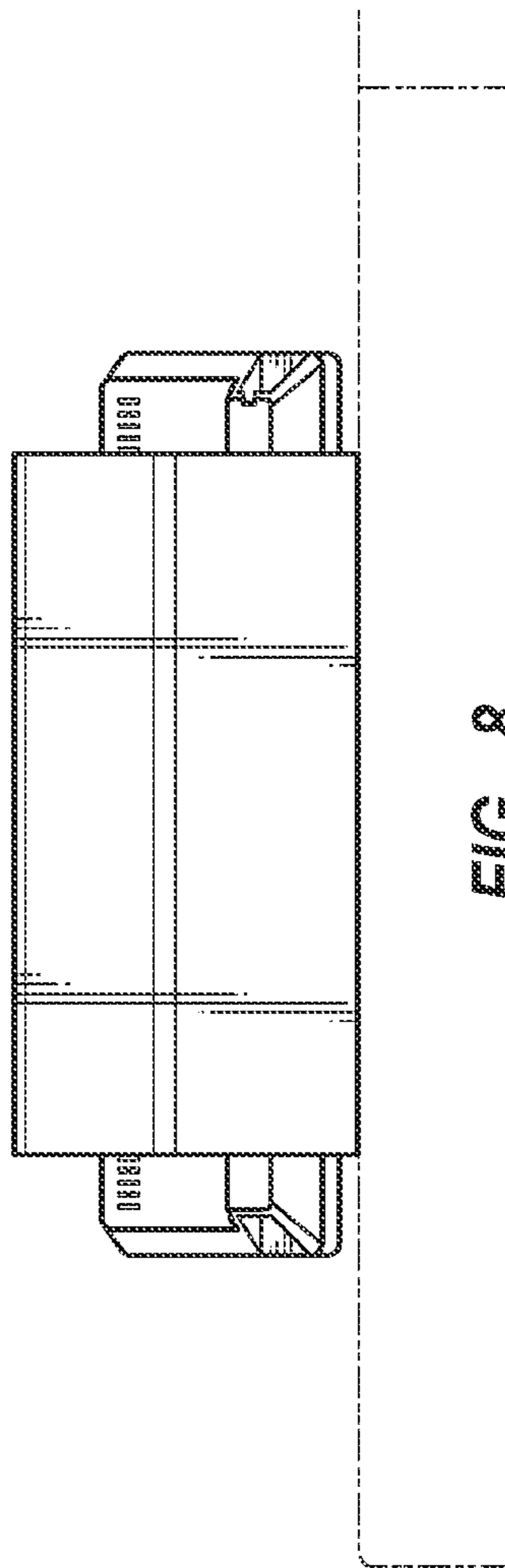


FIG. 8