



US00D626322S

(12) **United States Design Patent**
Servettaz

(10) **Patent No.:** **US D626,322 S**

(45) **Date of Patent:** **** Nov. 2, 2010**

(54) **LACE BLOCKER**

(75) Inventor: **Pascal Servettaz**, Rumilly (FR)

(73) Assignee: **Salomon S.A.S.**, Metz-Tessy (FR)

(**) Term: **14 Years**

(21) Appl. No.: **29/330,983**

(22) Filed: **Jan. 16, 2009**

(30) **Foreign Application Priority Data**

Jul. 17, 2008 (WO) DM/070 789

(51) **LOC (9) Cl.** **02-07**

(52) **U.S. Cl.** **D2/978**

(58) **Field of Classification Search** D2/911,
D2/912, 928, 929, 935, 943, 944, 946, 976,
D2/978; D8/356, 383; 24/68 SK, 712.2-712.4
See application file for complete search history.

(56) **References Cited**

U.S. PATENT DOCUMENTS

- 3,094,755 A * 6/1963 Casanave 24/129 R
- D275,336 S * 9/1984 Herdman D2/978
- 5,022,127 A * 6/1991 Ang 24/712.2
- 5,029,371 A * 7/1991 Rosenblood et al. 24/712.9
- 5,477,593 A 12/1995 Leick
- D367,755 S * 3/1996 Jones D2/978
- 5,566,474 A 10/1996 Leick et al.
- D375,831 S * 11/1996 Perry D2/978
- 5,572,777 A * 11/1996 Shelton 24/712

- D399,045 S * 10/1998 Liston D2/978
- D462,162 S * 9/2002 Peng D2/978
- 6,532,688 B2 3/2003 Bouvier
- 6,662,415 B1 * 12/2003 Lin 24/712.9
- 6,802,439 B2 10/2004 Azam et al.
- 7,082,652 B2 8/2006 St-Louis et al.
- 7,231,699 B2 6/2007 Borsoi
- 7,281,342 B2 10/2007 Azam et al.
- D568,730 S * 5/2008 Clarke D8/383

* cited by examiner

Primary Examiner—Stella M Reid

Assistant Examiner—Keli L Hill

(74) *Attorney, Agent, or Firm*—Greenblum & Bernstein, P.L.C.

(57) **CLAIM**

I claim the ornamental design for a lace blocker, as shown and described.

DESCRIPTION

FIG. 1 is a first view of a lace blocker, showing my new design;

FIG. 2 is a second view thereof; and,

FIG. 3 is a third view thereof.

The broken line showing of lace segments is for illustrative purposes only and forms no part of the claimed design.

Any surface of the design not shown, including any part of any such surface, is not part of the claimed design.

1 Claim, 1 Drawing Sheet

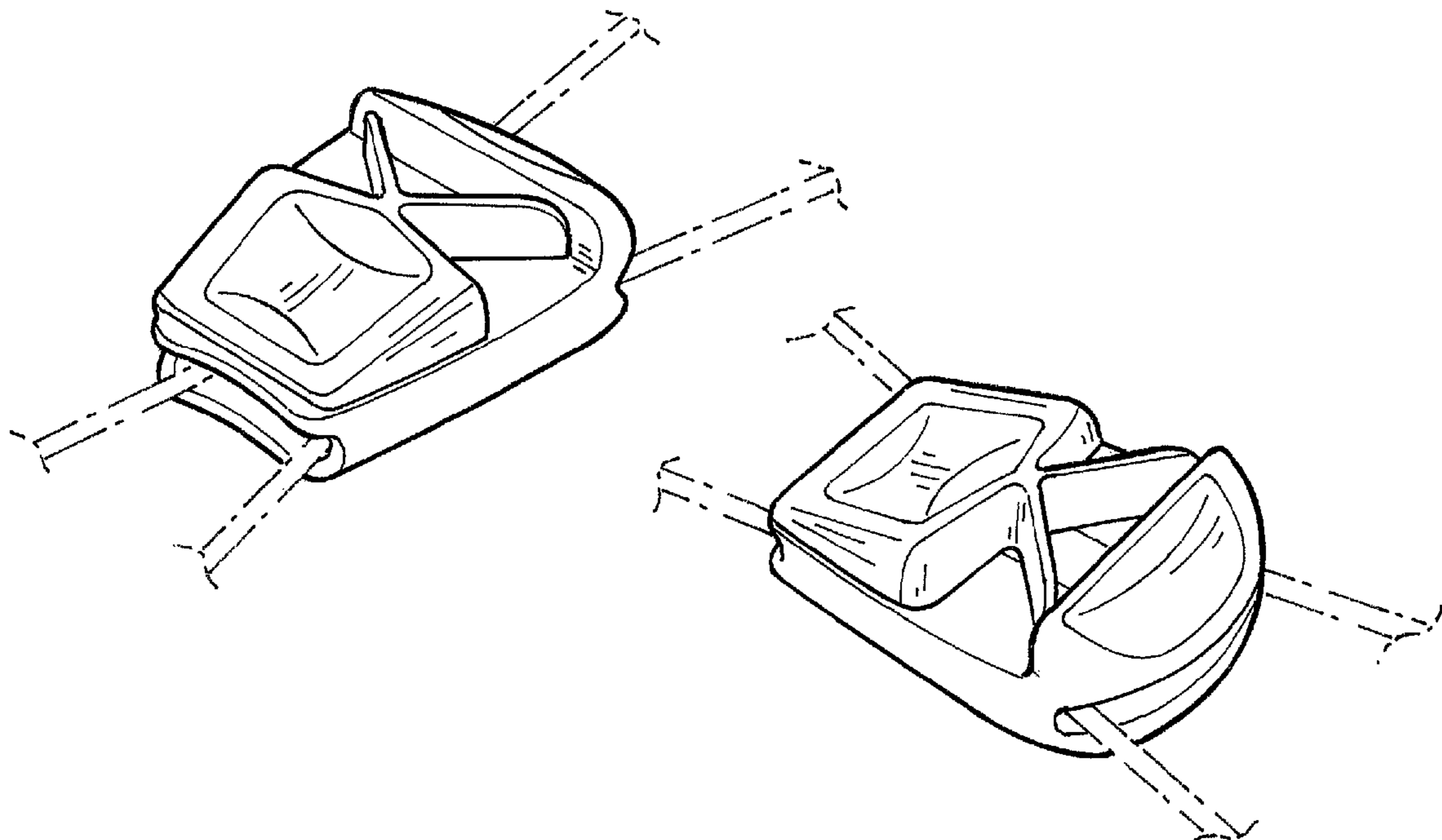


FIG. 1

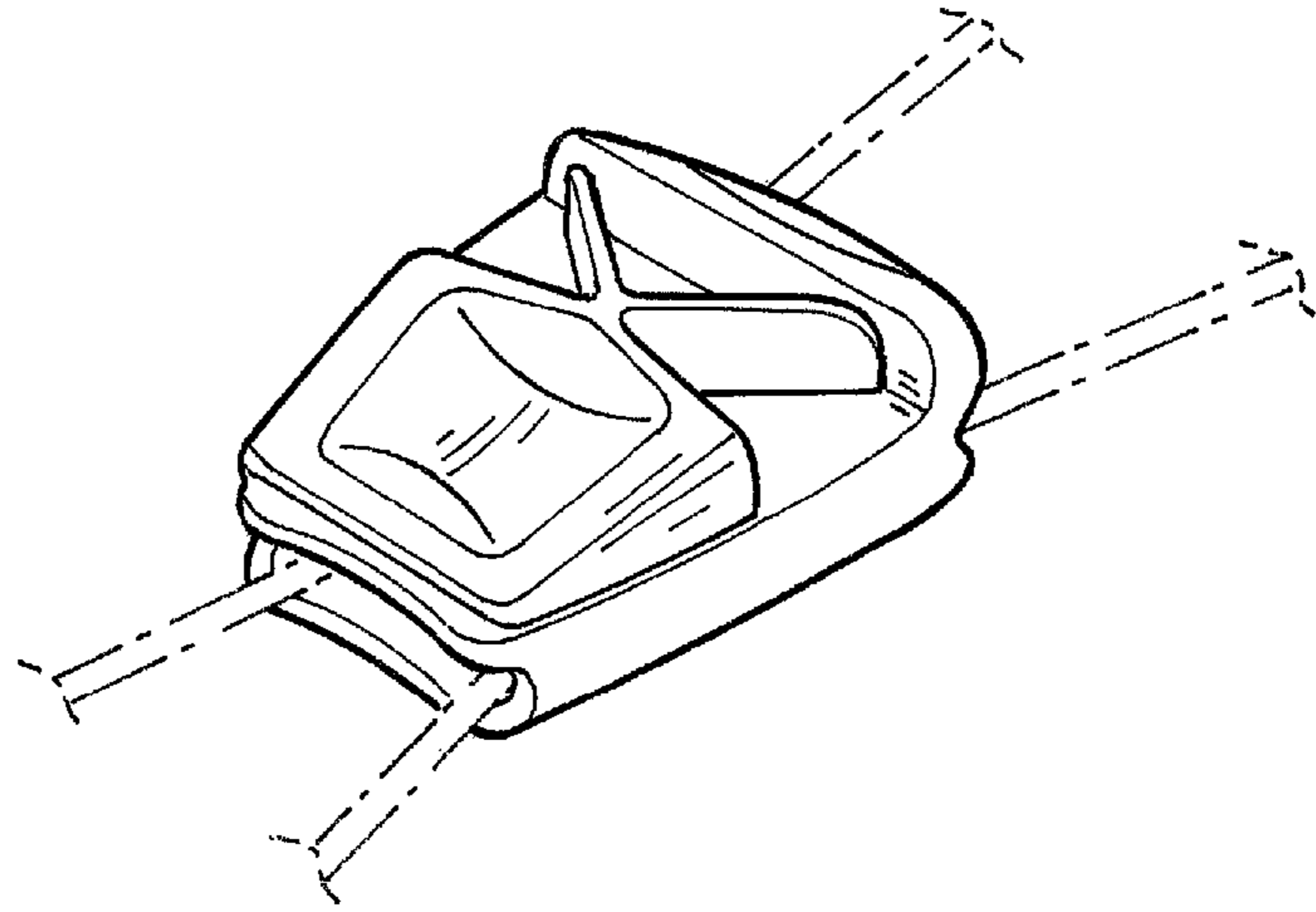


FIG. 2

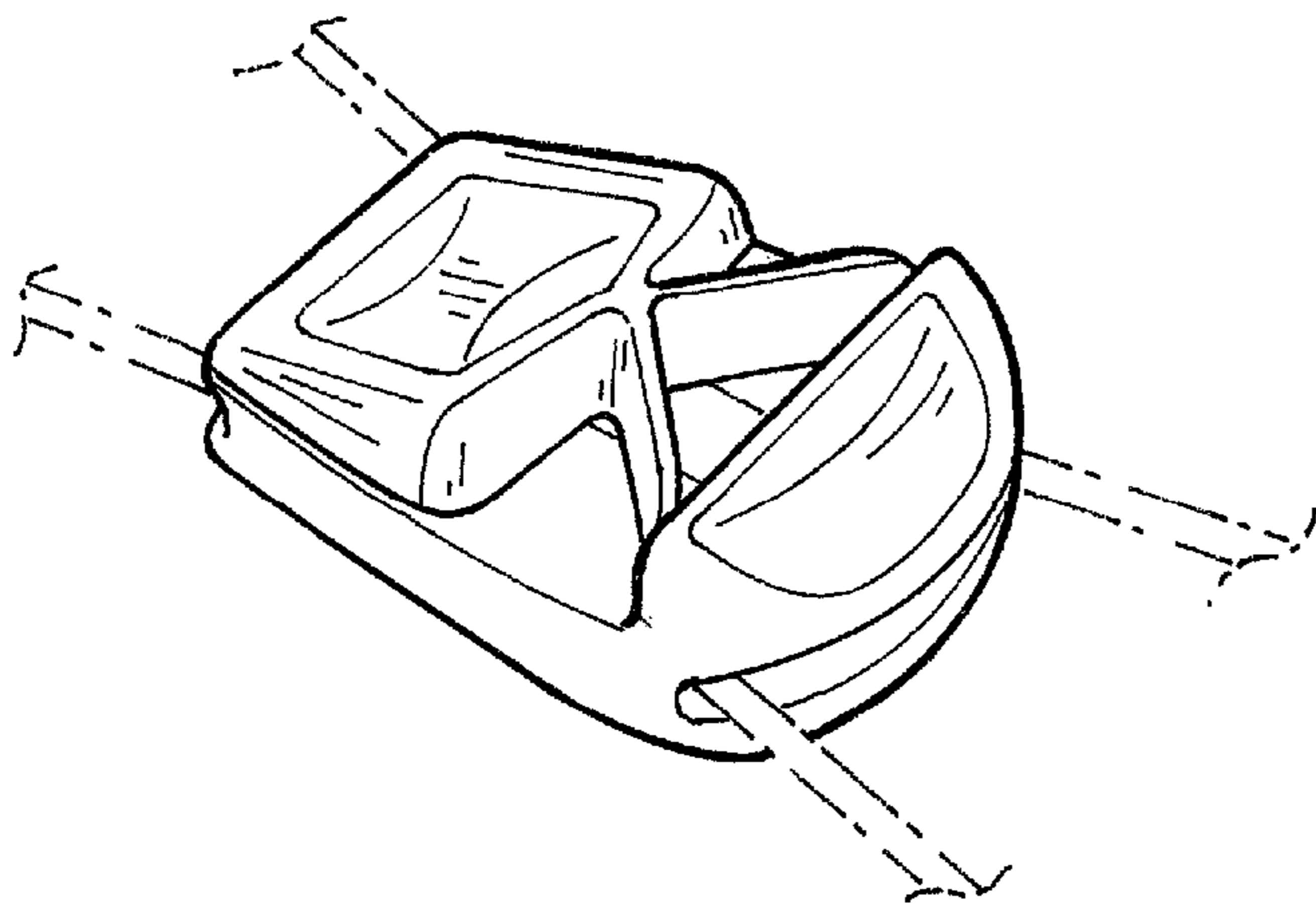


FIG. 3

