



US00D626307S

(12) **United States Design Patent**
Zorovich et al.

(10) **Patent No.:** **US D626,307 S**

(45) **Date of Patent:** **** Nov. 2, 2010**

(54) **DRIP CUP ATTACHMENT**

(75) Inventors: **Kenneth D. Zorovich**, Hoboken, NJ (US); **Yos Kumthampinij**, Edgewater, NJ (US); **John C. Earle**, Annapolis, MD (US)

(73) Assignee: **Propeller, Inc.**, Hoboken, NJ (US)

(**) Term: **14 Years**

(21) Appl. No.: **29/361,004**

(22) Filed: **May 4, 2010**

Related U.S. Application Data

(63) Continuation of application No. 12/321,237, filed on Jan. 16, 2009.

(51) **LOC (9) Cl.** **01-01**

(52) **U.S. Cl.** **D1/105**

(58) **Field of Classification Search** D1/100-199;
D21/386; 426/90, 91, 100, 101, 132-134,
426/138-139, 421, 515; D7/510, 584, 602,
D7/672, 300.1

See application file for complete search history.

(56) **References Cited**

U.S. PATENT DOCUMENTS

1,505,592 A 8/1924 Epperson
D185,302 S * 5/1959 Mitzenmacher D1/105
D192,225 S * 2/1962 Coleman D1/105
3,306,512 A * 2/1967 Pagnini 426/135
D211,043 S * 5/1968 Kay D7/586
4,226,355 A * 10/1980 Helfrich, Jr. 248/146

4,352,830 A 10/1982 Billett et al.
D353,251 S * 12/1994 Beck D1/105
D540,006 S * 4/2007 Green et al. D1/105
D594,626 S * 6/2009 Reed D1/105
2007/0275126 A1 * 11/2007 Chan 426/90
2010/0183789 A1 * 7/2010 Zorovich et al. 426/421

OTHER PUBLICATIONS

U.S. Appl. No. 12/321,237, filed Jan. 16, 2009 titled Method and Apparatus for Making Frozen Comestibles.

* cited by examiner

Primary Examiner—Cathron C Brooks

Assistant Examiner—Barbara Fox

(74) *Attorney, Agent, or Firm*—Greenberg Traurig, LLP

(57) **CLAIM**

The ornamental design for a drip cup attachment, as shown and described.

DESCRIPTION

FIG. 1 is a perspective view of a drip cup attachment showing our new design;

FIG. 2 is a top plan view thereof;

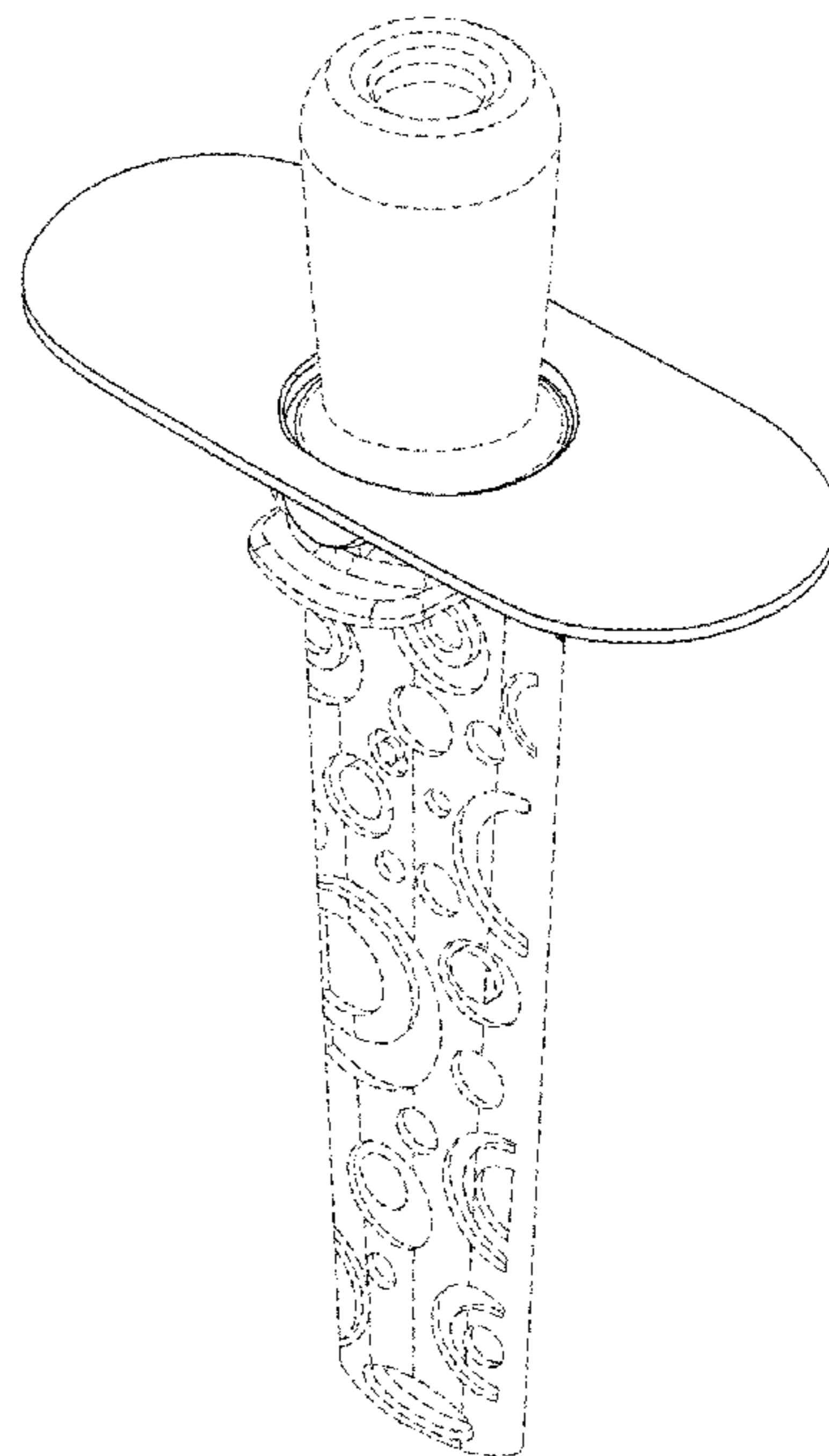
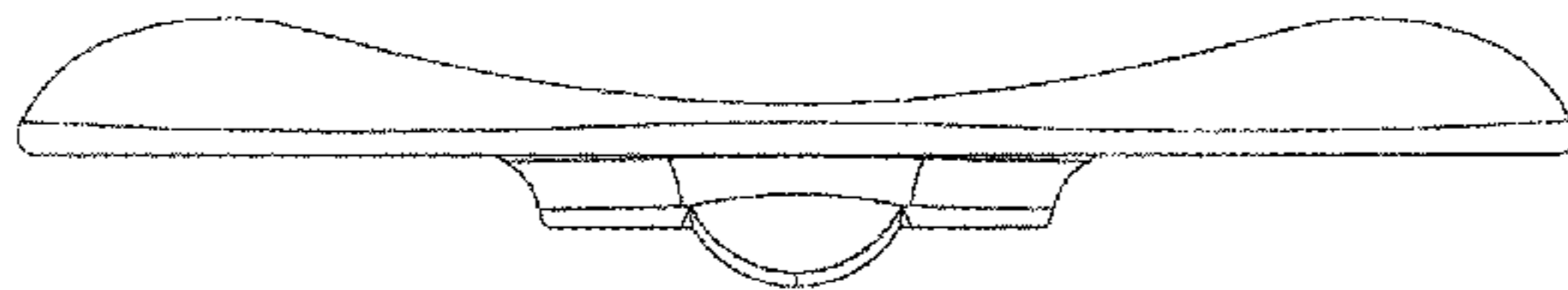
FIG. 3 is a left side elevational view thereof, the right side elevational view being identical to FIG. 3;

FIG. 4 is a front elevational view thereof, the rear elevational view being identical to FIG. 4;

FIG. 5 is a bottom plan view thereof; and,

FIG. 6 is a perspective view of the drip cup attachment of FIG. 1 attached to a stick shown in phantom and forming no part of the claimed design.

1 Claim, 3 Drawing Sheets



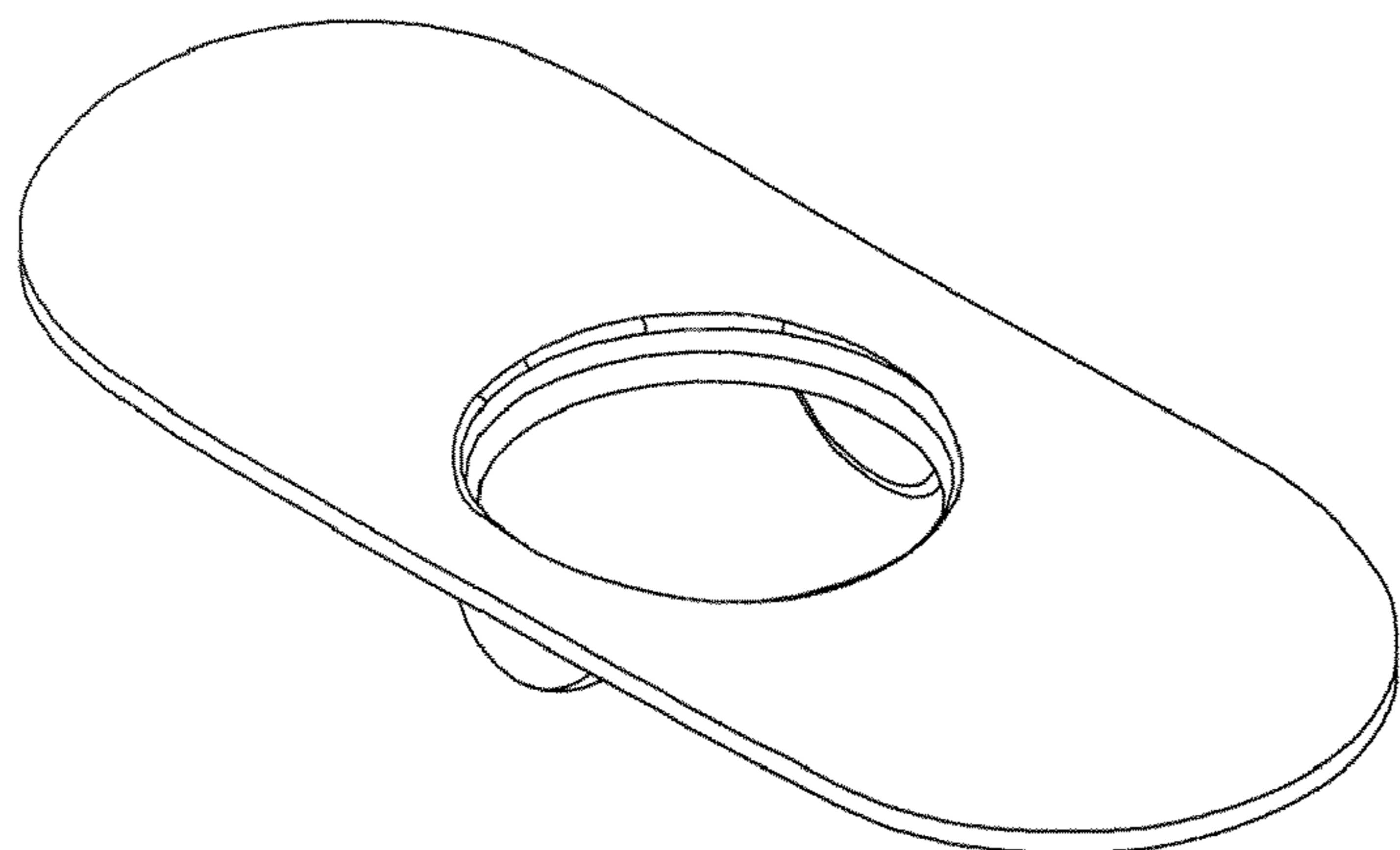


FIG. 1

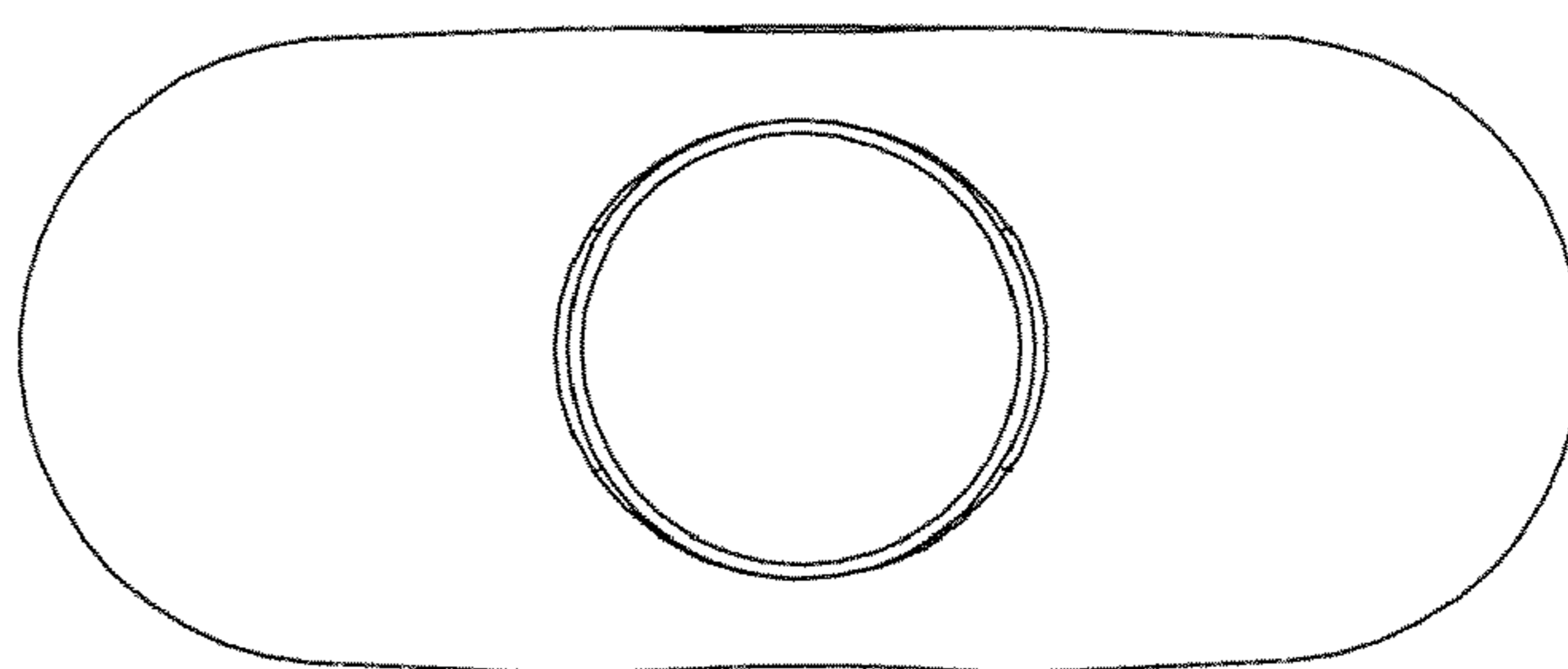


FIG. 2

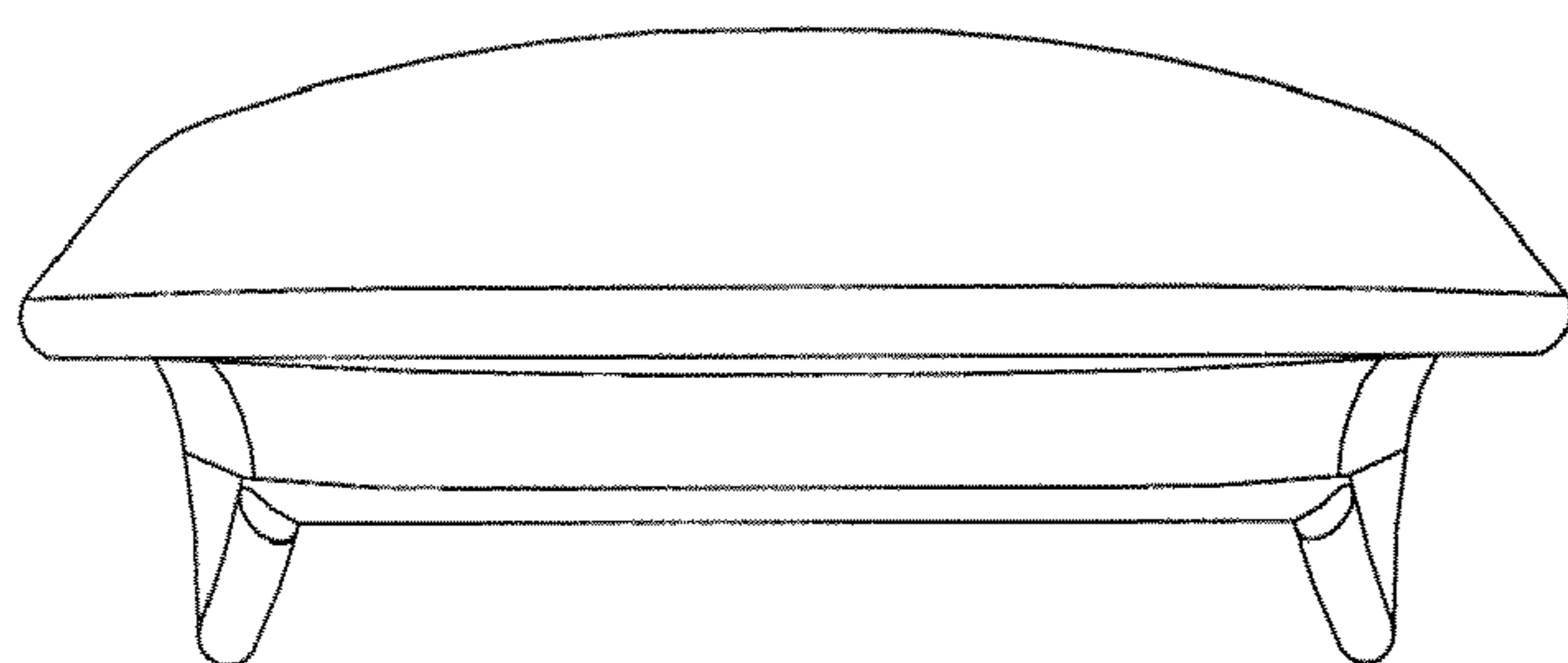


FIG. 3

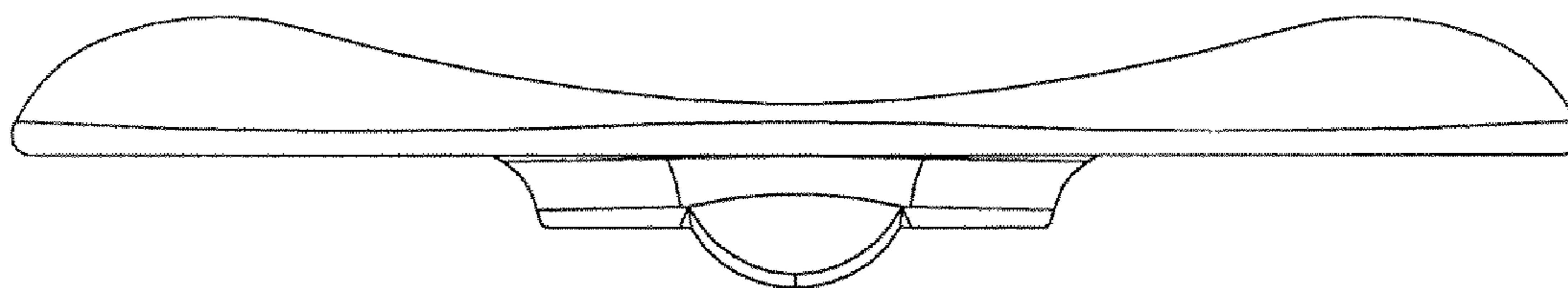


FIG. 4

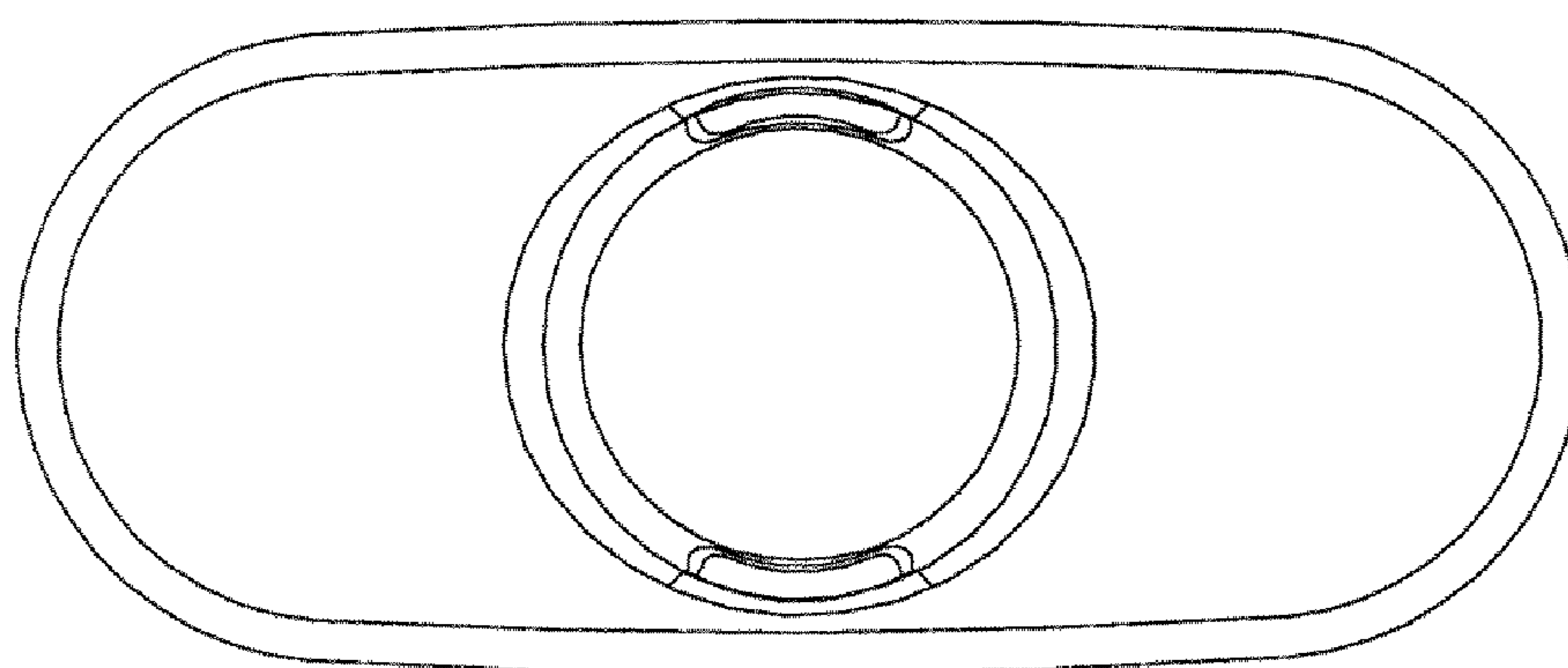


FIG. 5

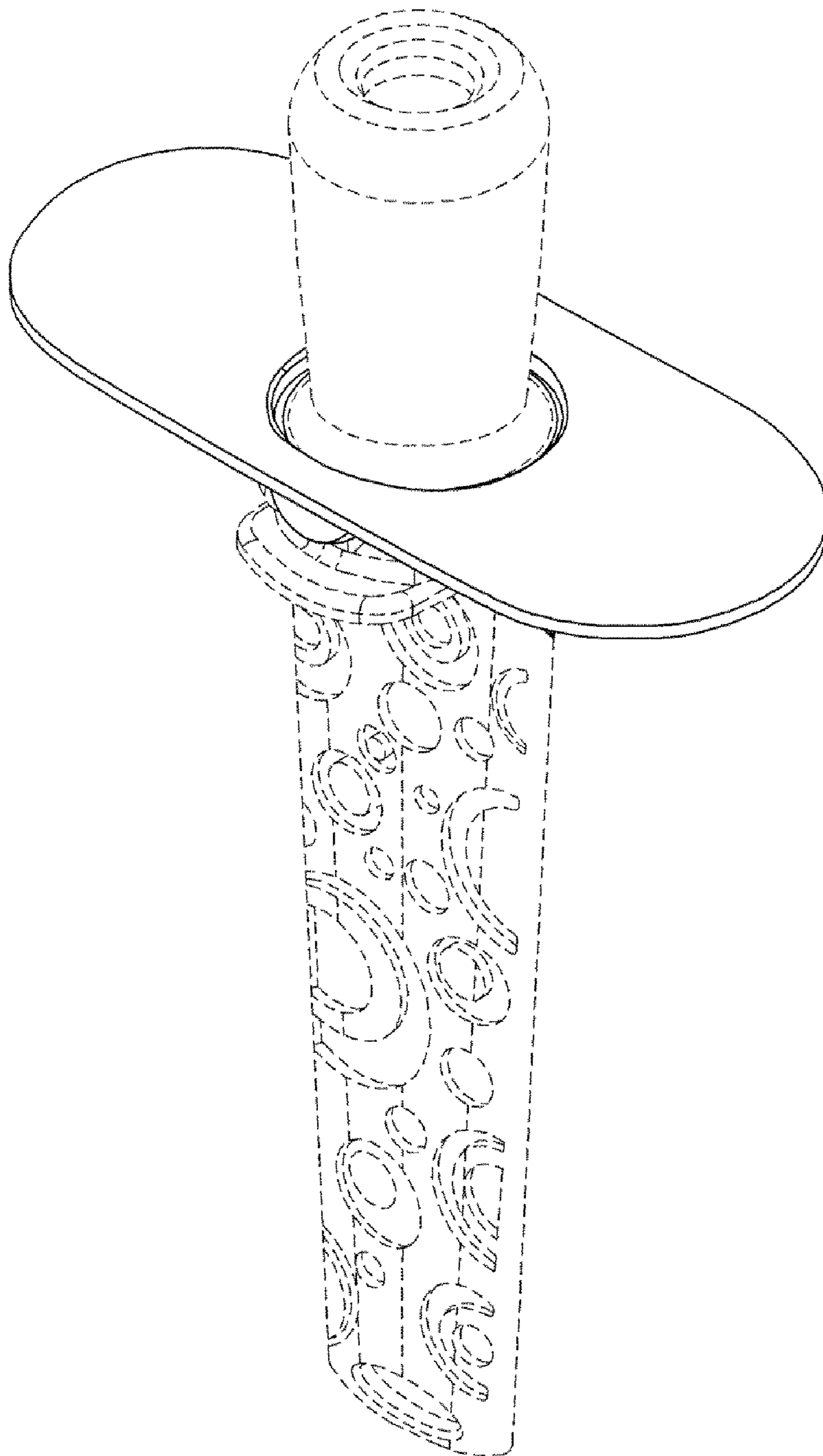


FIG. 6