



US00D626304S

(12) **United States Design Patent**  
**McEvoy**

(10) **Patent No.:** **US D626,304 S**

(45) **Date of Patent:** **\*\* Oct. 26, 2010**

(54) **SAND ROLLER**

2010/0096821 A1\* 4/2010 Hill ..... 280/47.26

(76) Inventor: **James A. McEvoy**, 35 Ann St., Verona,  
NJ (US) 07044

\* cited by examiner

*Primary Examiner*—Cynthia E Ramirez  
(74) *Attorney, Agent, or Firm*—Siegmar Silber, Esq.

(\*\*) Term: **14 Years**

(21) Appl. No.: **29/361,076**

(57) **CLAIM**

(22) Filed: **May 5, 2010**

The ornamental design for a sand roller, as shown and described.

(51) **LOC (9) Cl.** ..... **12-02**

(52) **U.S. Cl.** ..... **D34/27**

(58) **Field of Classification Search** ..... D34/12-27;  
280/79.3, 79.11, 47.24, 47.26, 47.34

**DESCRIPTION**

See application file for complete search history.

FIG. 1 is a perspective view of a sand roller of the present design;

FIG. 2 is a side view thereof, the other side being identical;

FIG. 3 is a rear view thereof, the front being identical;

FIG. 4 is a top plan view thereof, the bottom being identical; and,

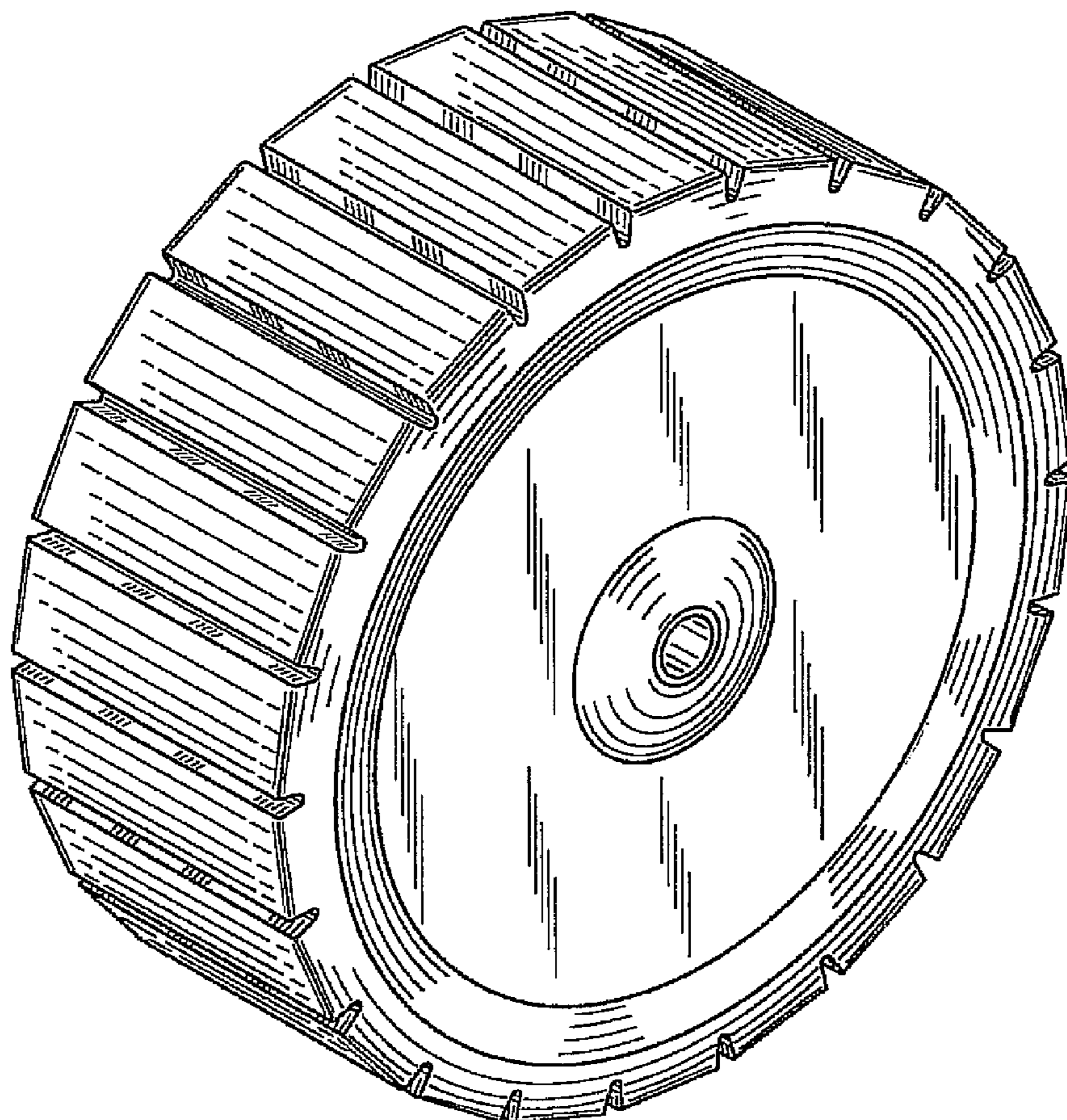
FIG. 5 is a cross sectional view of FIG. 2 taken along line 5—5 thereof.

(56) **References Cited**

**U.S. PATENT DOCUMENTS**

7,114,732	B1 *	10/2006	Ismail	.....	280/47.34
7,367,570	B1 *	5/2008	Marsh	.....	280/32.6
2010/0059950	A1 *	3/2010	Coghill, Jr.	.....	280/47.26

**1 Claim, 5 Drawing Sheets**



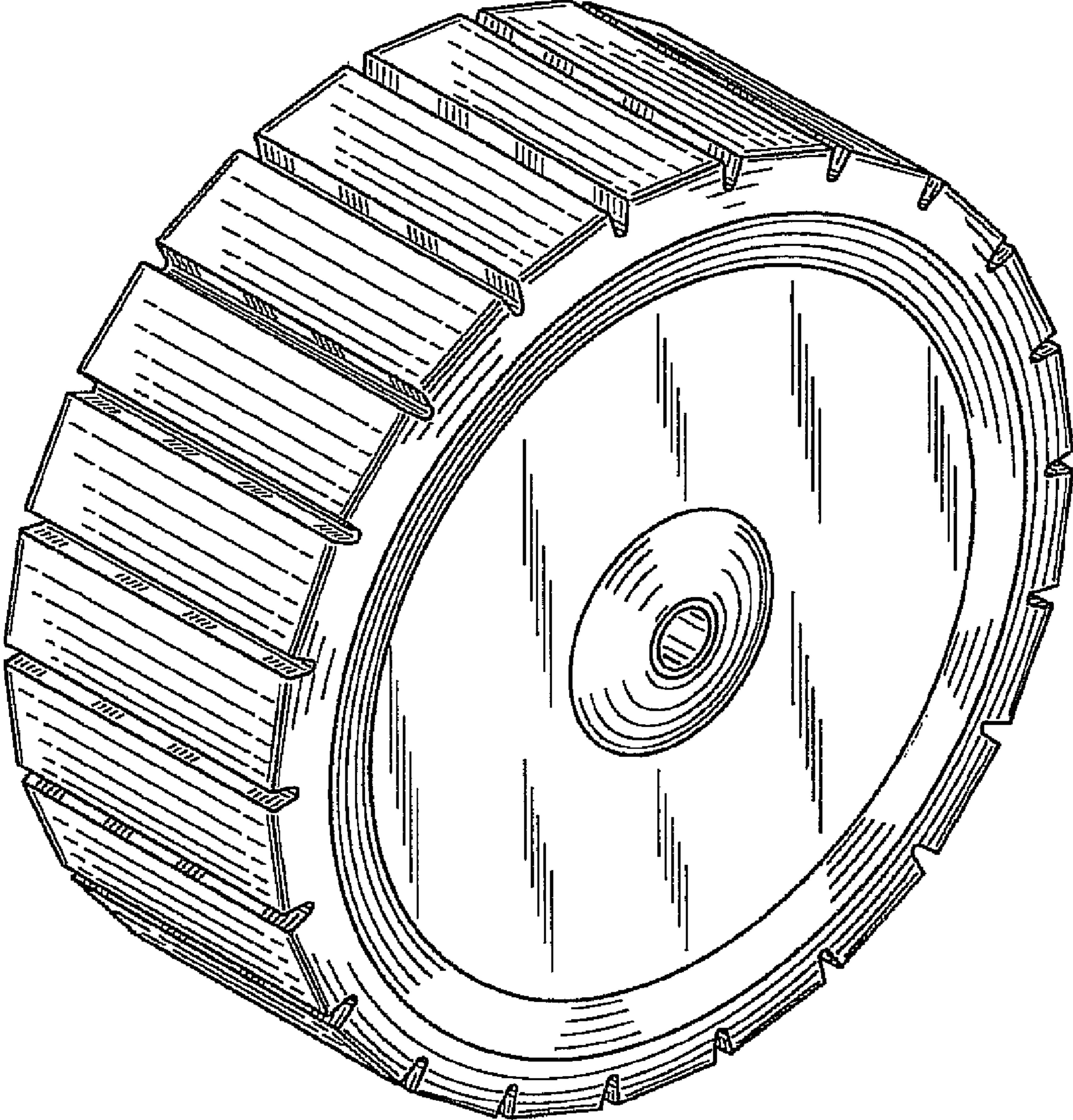


FIG. 1

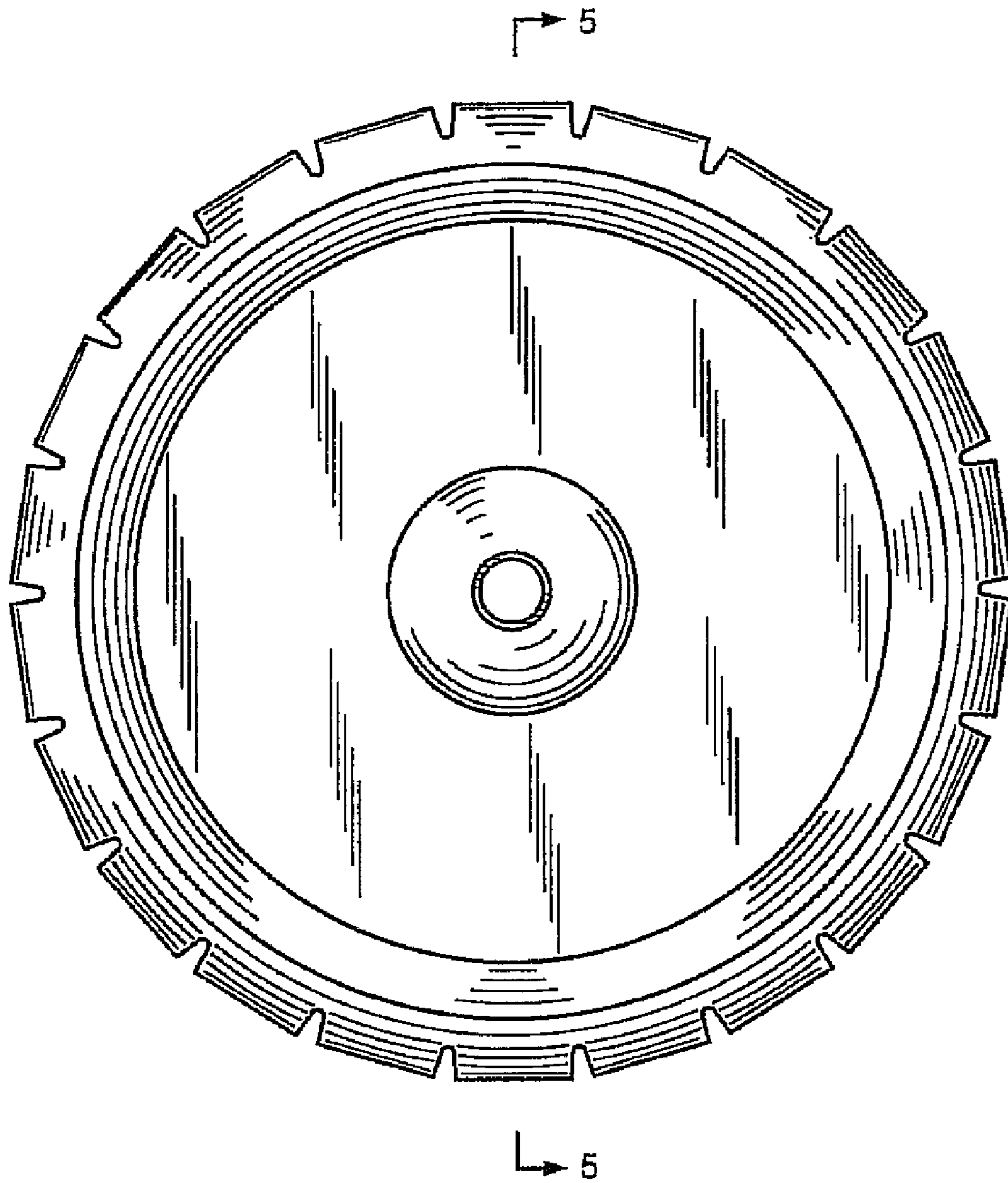


FIG. 2

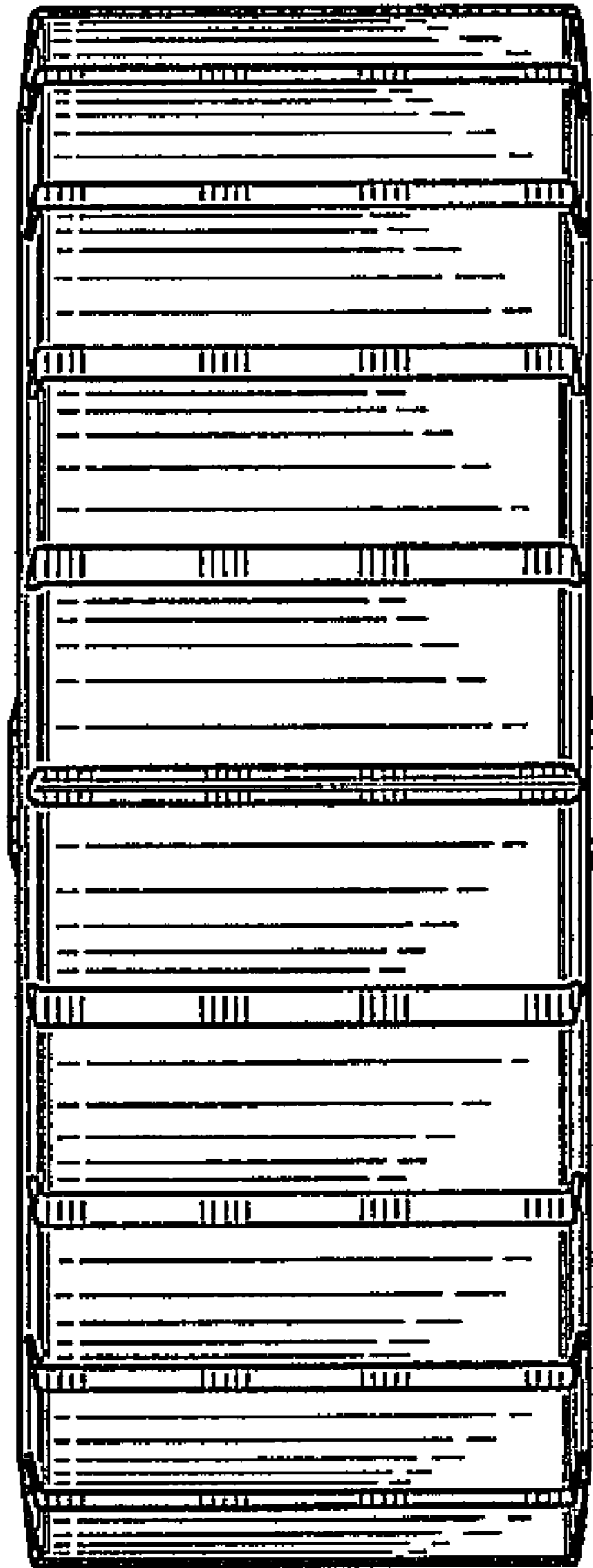


FIG. 3

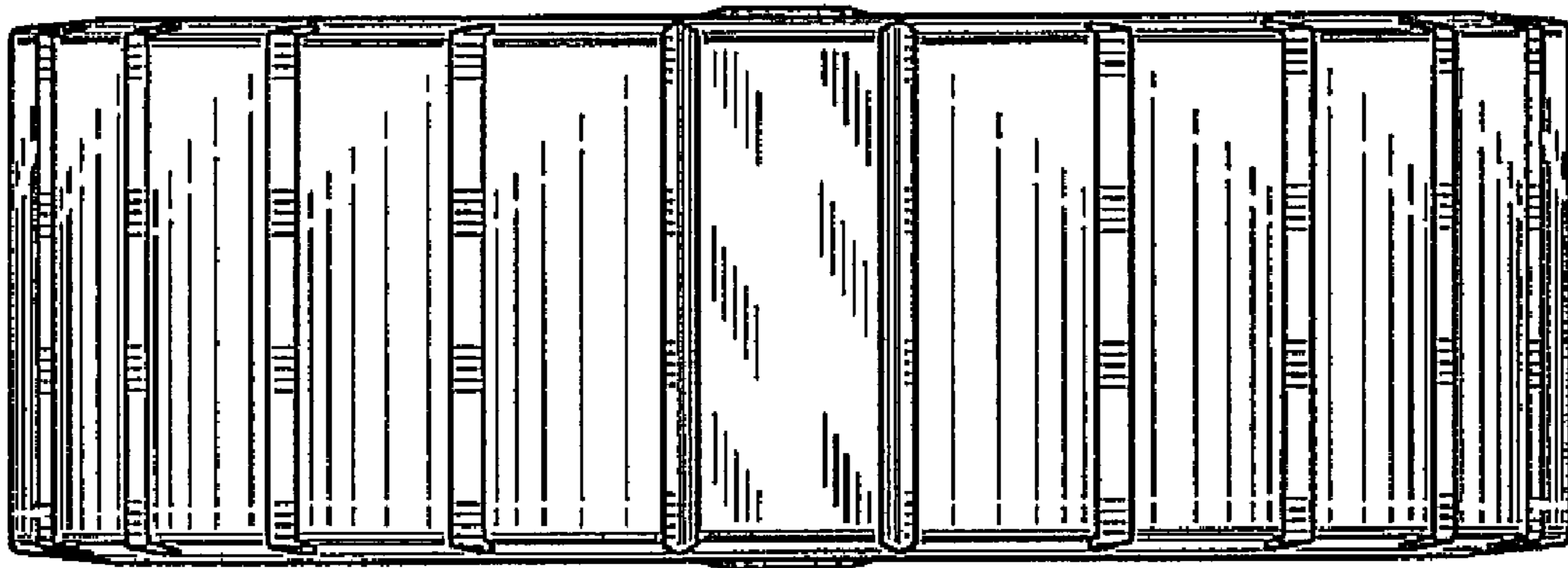


FIG. 4

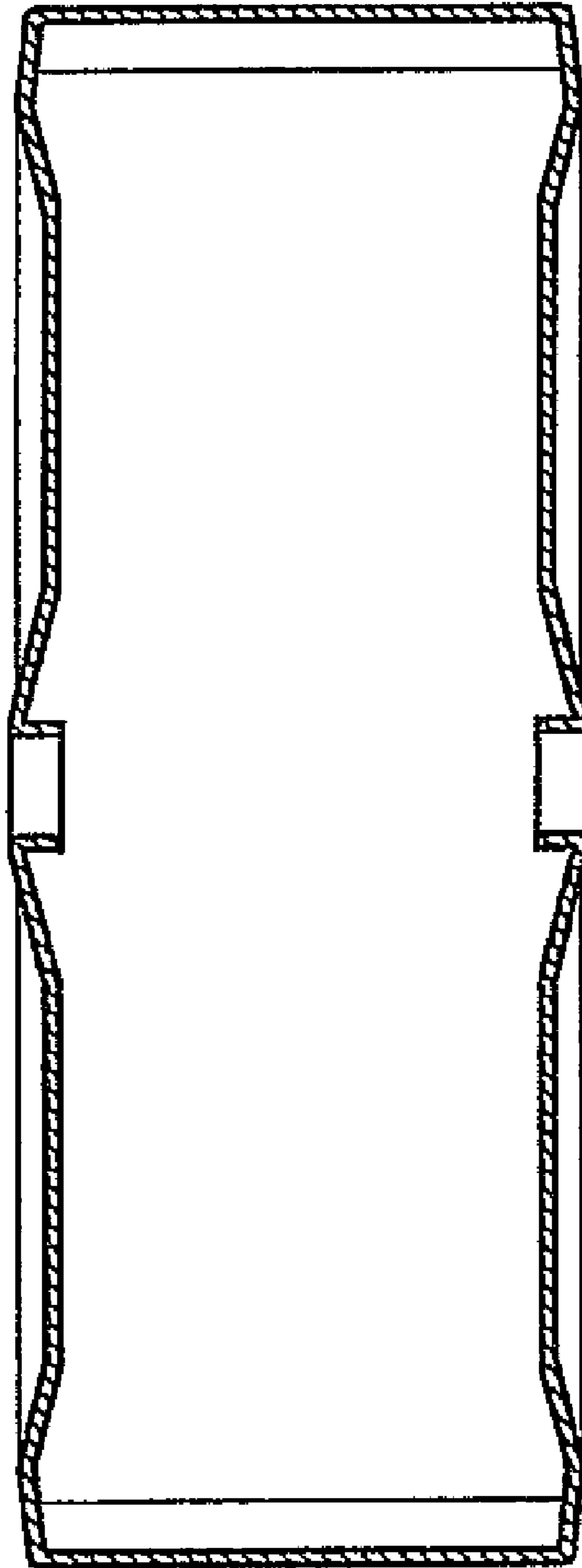


FIG. 5