



US00D626303S

(12) **United States Design Patent**  
**Loverbos**

(10) **Patent No.:** **US D626,303 S**

(45) **Date of Patent:** **\*\* Oct. 26, 2010**

(54) **BUCKET**

(75) **Inventor:** **Antonius Johanna Maria Loverbos,**  
Asten (NL)

(73) **Assignee:** **Lolaar Exploitatie B.V. (NL)**

(\*\*) **Term:** **14 Years**

(21) **Appl. No.:** **29/276,610**

(22) **Filed:** **Jan. 30, 2007**

(51) **LOC (9) Cl.** ..... **07-07**

(52) **U.S. Cl.** ..... **D32/53; D34/1**

(58) **Field of Classification Search** ..... **D32/53,**  
**D32/53.1; D34/1; D7/396.2, 396.1; 206/23.86-23,**  
**206/89, 604, 640, 656, 657, 904, 908-910,**  
**206/500, 735, 736; D9/569, 772, 773, 774,**  
**D9/776, 777, 778, 779**

See application file for complete search history.

(56) **References Cited**

**U.S. PATENT DOCUMENTS**

D28,326 S \* 3/1898 Joy ..... D32/53  
1,427,879 A \* 9/1922 Weinman ..... 220/655  
2,620,006 A \* 12/1952 Sorron-Zabala ..... 220/758  
2,907,491 A \* 10/1959 Gunn ..... 220/298  
3,148,799 A \* 9/1964 Meroney ..... 220/495.11  
D204,507 S \* 4/1966 Davis ..... D32/53  
3,407,638 A \* 10/1968 Greis et al. .... 72/96  
3,468,467 A \* 9/1969 Amberg ..... 229/403  
3,516,570 A \* 6/1970 Morgan ..... 220/799  
4,279,357 A \* 7/1981 Robinson ..... 220/318  
D280,038 S \* 8/1985 Anderson ..... D32/53

D285,765 S \* 9/1986 Zieff ..... D7/603  
D285,767 S \* 9/1986 Zieff ..... D7/603  
4,890,760 A \* 1/1990 Nicoll et al. .... 220/495.04  
5,203,836 A \* 4/1993 Brazis et al. .... 206/507  
D368,347 S \* 3/1996 Kruger ..... D32/53  
5,513,770 A \* 5/1996 Seeley et al. .... 220/729  
5,553,733 A \* 9/1996 Rosenthal ..... 428/35.2  
5,562,229 A \* 10/1996 Callahan ..... 220/694  
D382,440 S \* 8/1997 Fonville ..... D7/360  
D398,663 S \* 9/1998 Freeland ..... D21/532  
D401,383 S \* 11/1998 Gish ..... D34/1  
D412,232 S \* 7/1999 Anderson ..... D34/1  
5,960,984 A \* 10/1999 Weston ..... 220/739  
D462,491 S \* 9/2002 Hauenstein ..... D32/53  
2006/0118608 A1 \* 6/2006 Stahlecker ..... 229/403  
2007/0017920 A1 \* 1/2007 Davis ..... 220/608  
2007/0289892 A1 \* 12/2007 Hogerty ..... 206/515  
2009/0277812 A1 \* 11/2009 Driscoll ..... 206/499

\* cited by examiner

*Primary Examiner*—Cynthia E Ramirez

(74) *Attorney, Agent, or Firm*—Swanson & Bratschum,  
L.L.C.

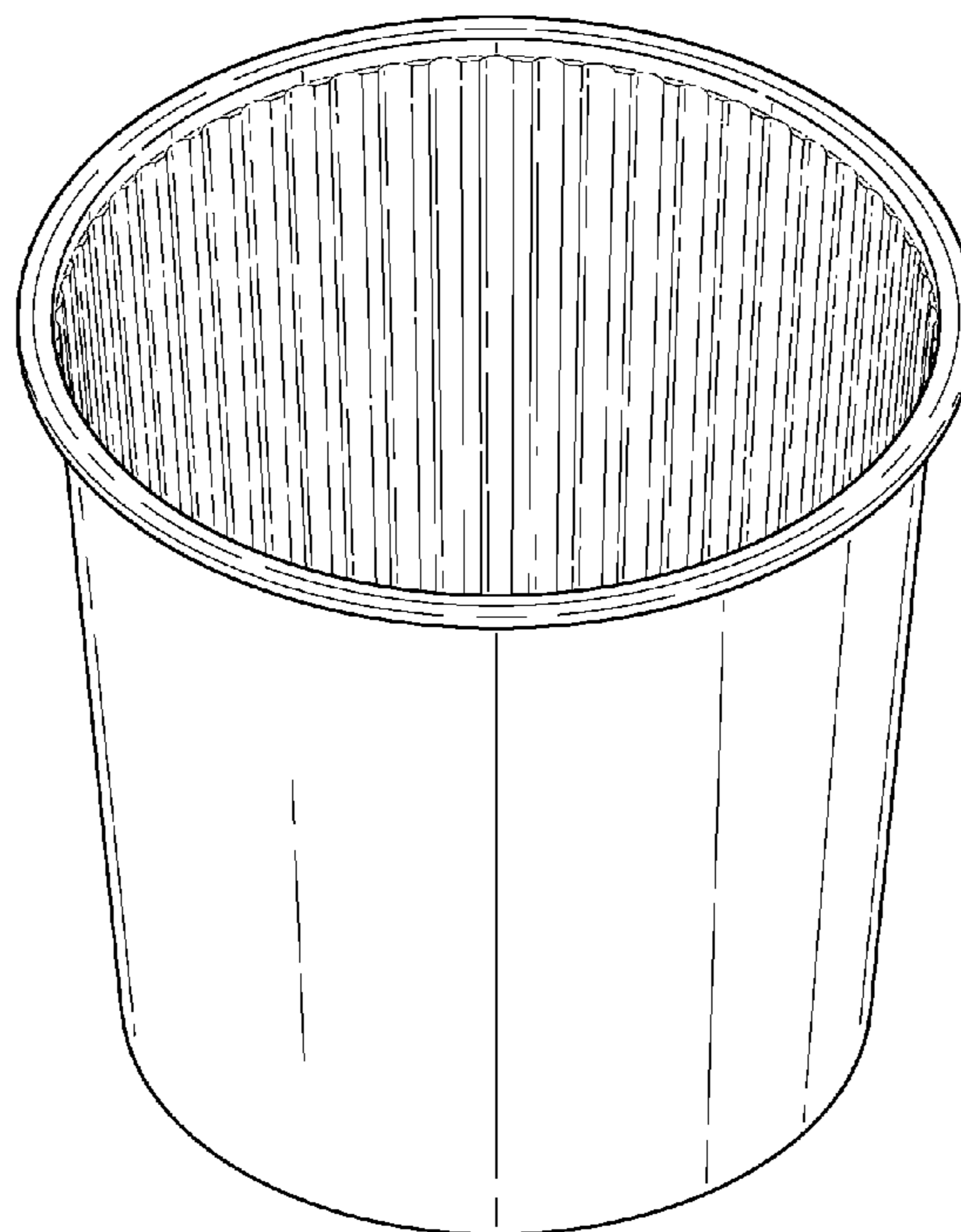
(57) **CLAIM**

The ornamental design for a bucket, as shown and described.

**DESCRIPTION**

FIG. 1 is a perspective view of the bucket;  
FIG. 2 is a side elevation view of the bucket;  
FIG. 3 is a top plan view of the bucket; and,  
FIG. 4 is a bottom plan view of the bucket.

**1 Claim, 2 Drawing Sheets**



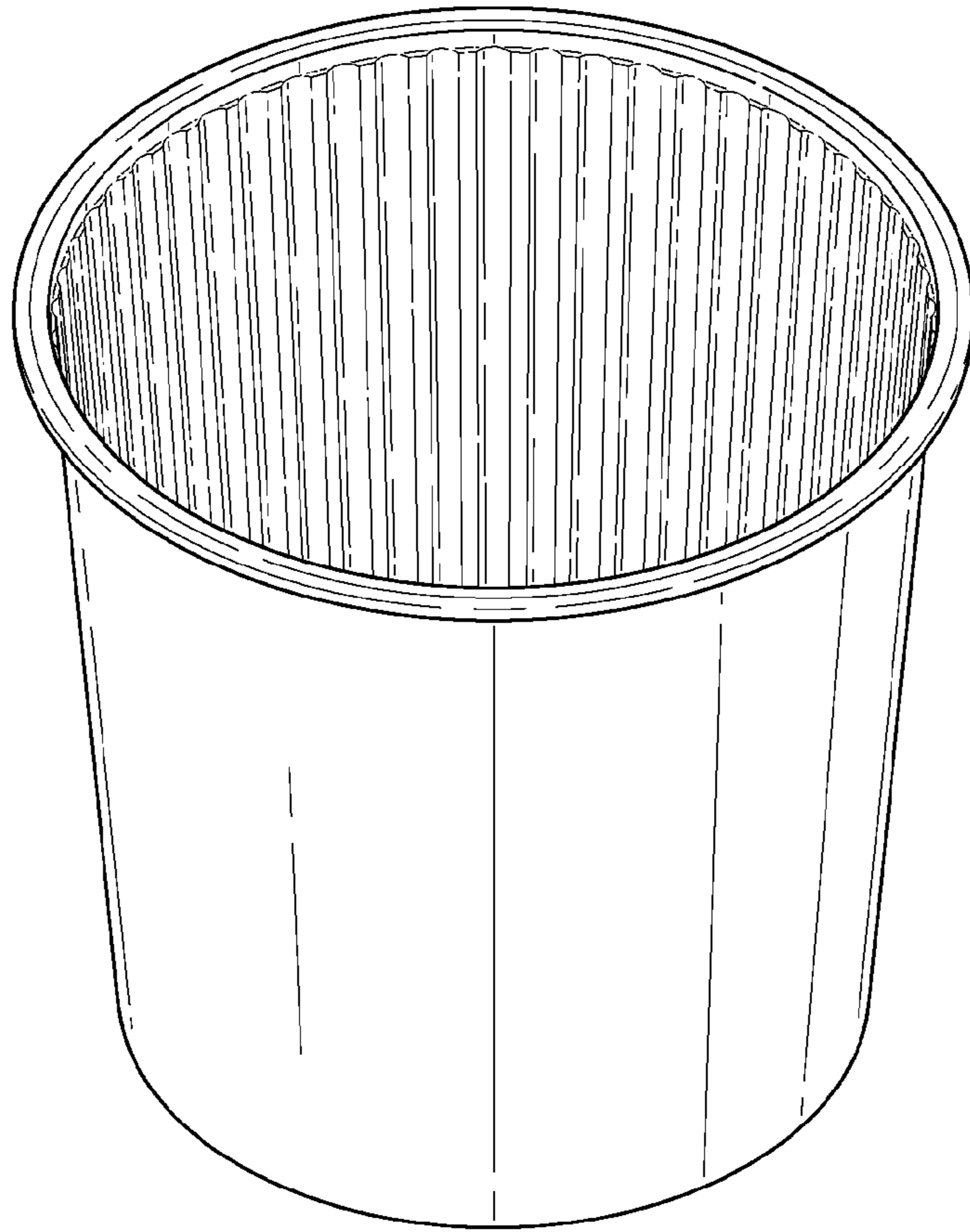


Fig. 1.

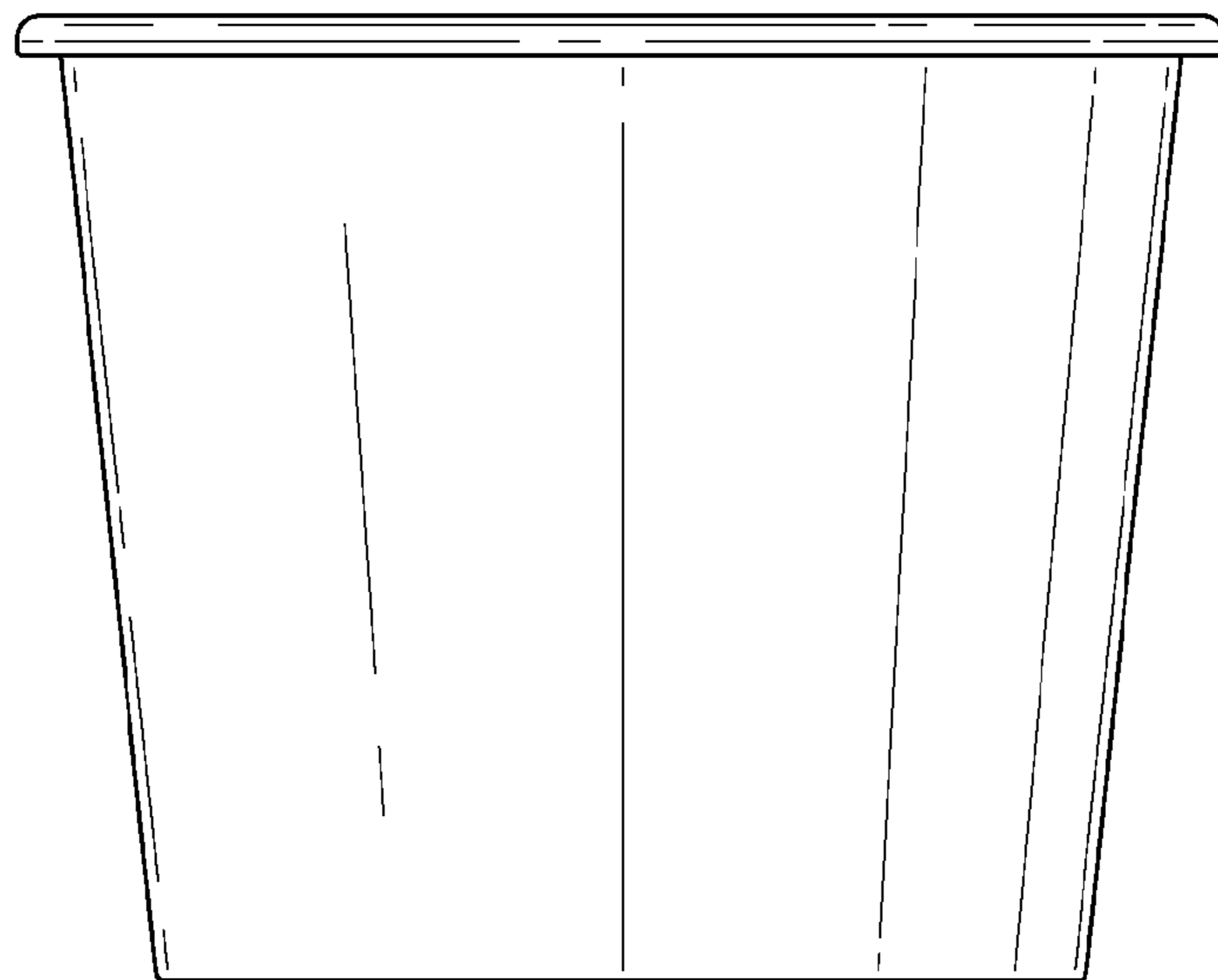


Fig. 2.

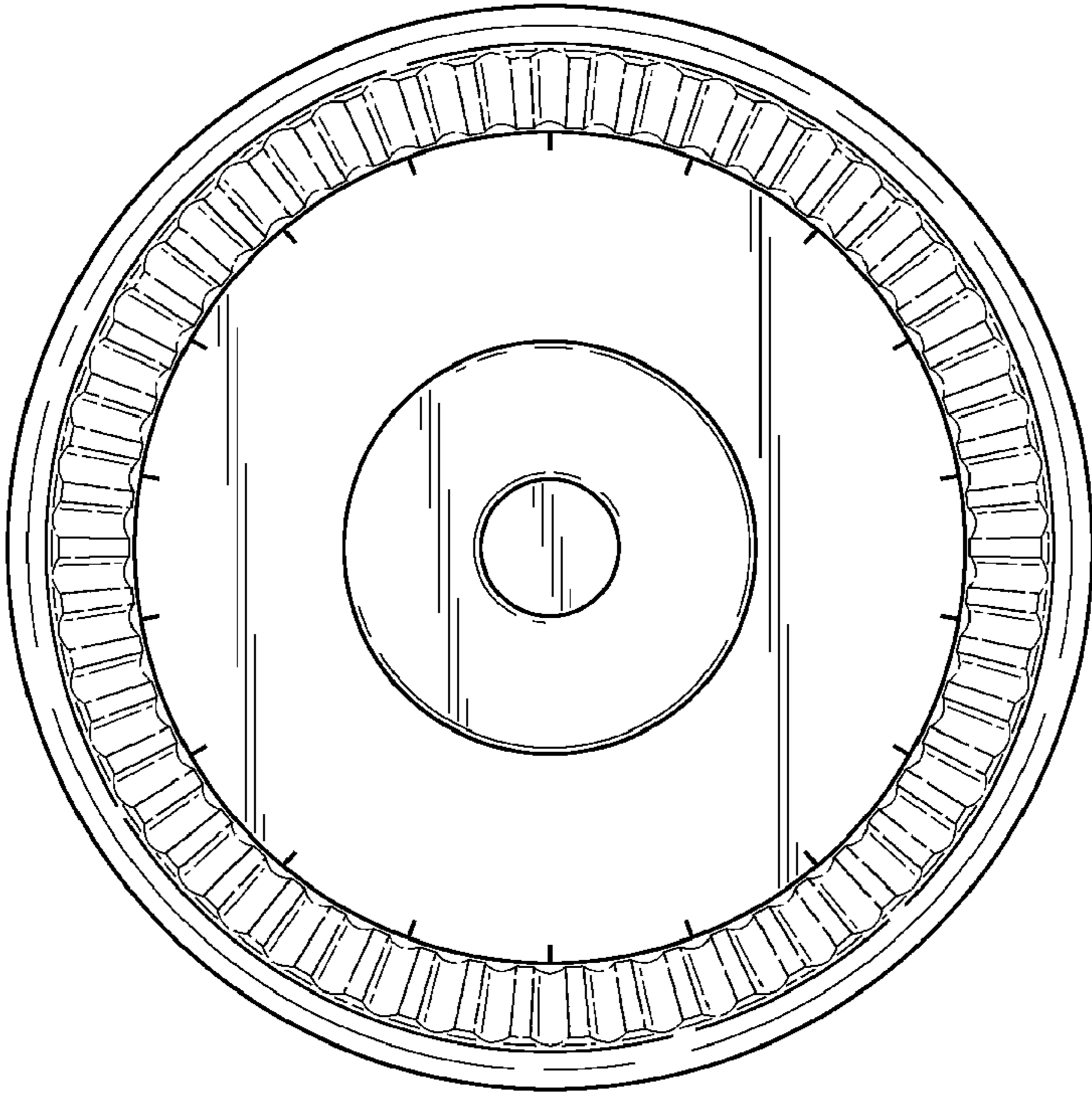


Fig.3.

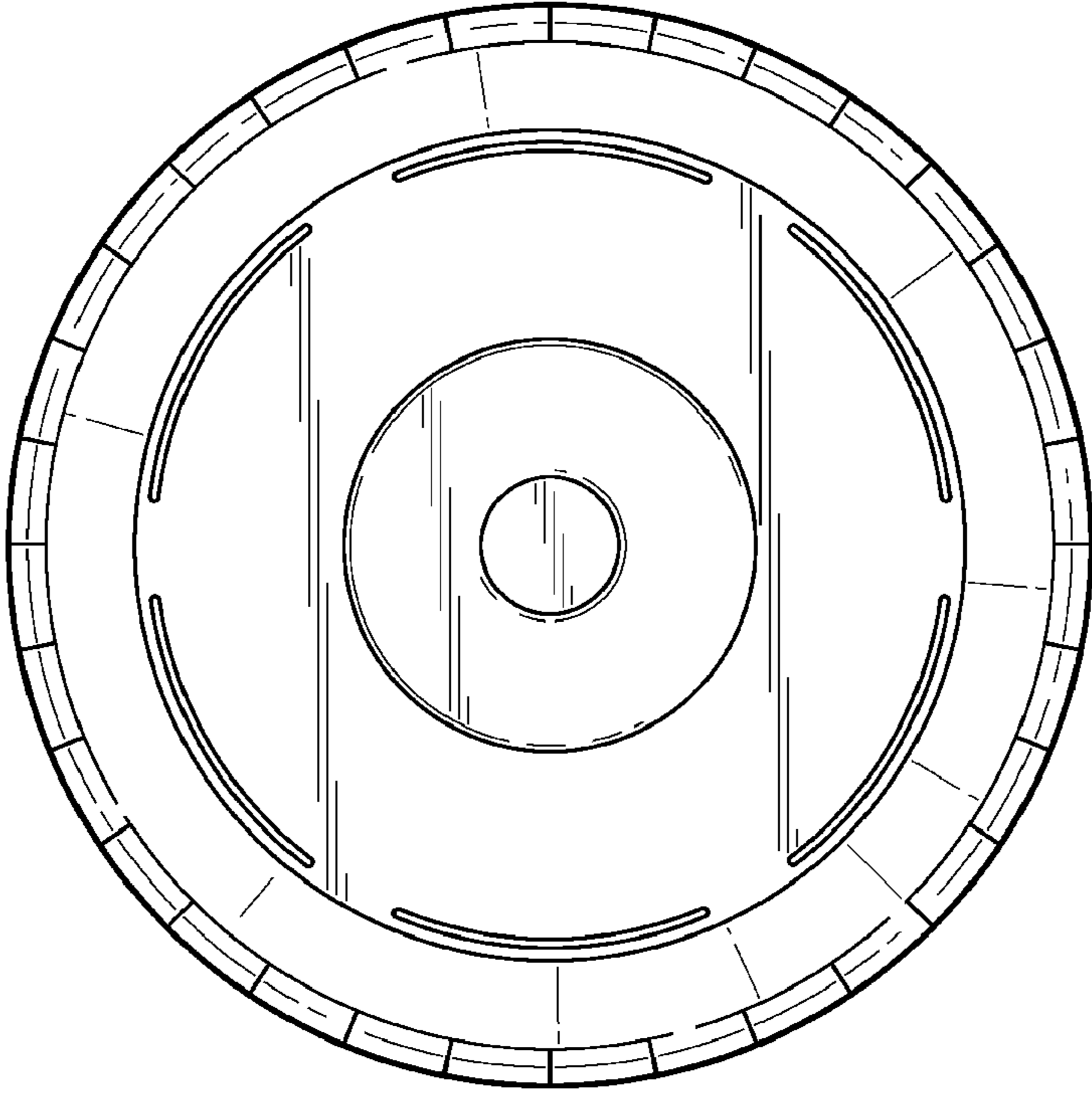


Fig.4.