



US00D626301S

(12) **United States Design Patent**
Raven

(10) **Patent No.:** **US D626,301 S**

(45) **Date of Patent:** **** Oct. 26, 2010**

(54) **MECHANICAL SWEEPER**

(75) Inventor: **Meghan M. Raven**, Grand Rapids, MI (US)

(73) Assignee: **BISSELL Homecare, Inc.**, Grand Rapids, MI (US)

(**) Term: **14 Years**

(21) Appl. No.: **29/357,214**

(22) Filed: **Mar. 9, 2010**

(51) **LOC (9) Cl.** **15-05**

(52) **U.S. Cl.** **D32/38**

(58) **Field of Classification Search** D32/21, D32/22, 31-33, 38-39; 15/41.1, 42-46, 15/48, 48.1, 79.1, 49.1, 50.3, 415.1; 16/DIG. 41
See application file for complete search history.

(56) **References Cited**

U.S. PATENT DOCUMENTS

- D142,535 S * 10/1945 Storm, Jr. D32/22
- D236,423 S * 8/1975 Mantelet D32/38
- D501,283 S 1/2005 Carr et al.
- D537,587 S * 2/2007 Scheifele et al. D32/32

- D548,411 S * 8/2007 Schroter D32/21
- D575,467 S * 8/2008 Paredes et al. D32/32
- 7,441,298 B2 * 10/2008 Svendsen et al. 15/49.1
- D599,066 S * 8/2009 Baker D32/38

* cited by examiner

Primary Examiner—T. Chase Nelson

(74) *Attorney, Agent, or Firm*—McGarry Bair PC

(57) **CLAIM**

The ornamental design for a mechanical sweeper, as shown and described.

DESCRIPTION

FIG. 1 is a front perspective view of a mechanical sweeper which embodies my design;

FIG. 2 is a front view thereof;

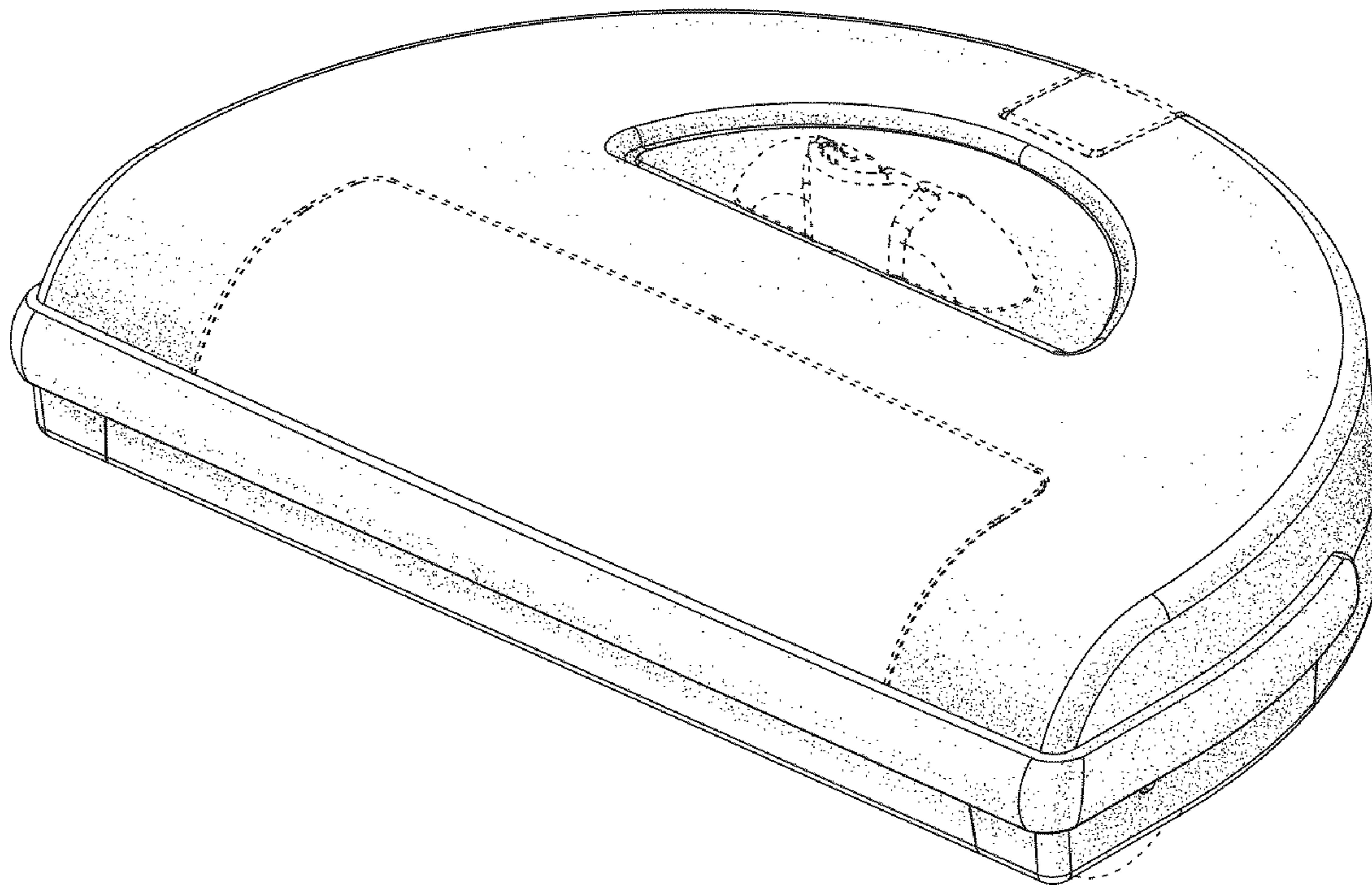
FIG. 3 is a rear view thereof;

FIG. 4 is a right side view thereof, the left side view thereof being a mirror image of the left side view thereof; and,

FIG. 5 is a top view thereof.

The portions of the mechanical sweeper in dotted lines form no part of our design.

1 Claim, 2 Drawing Sheets



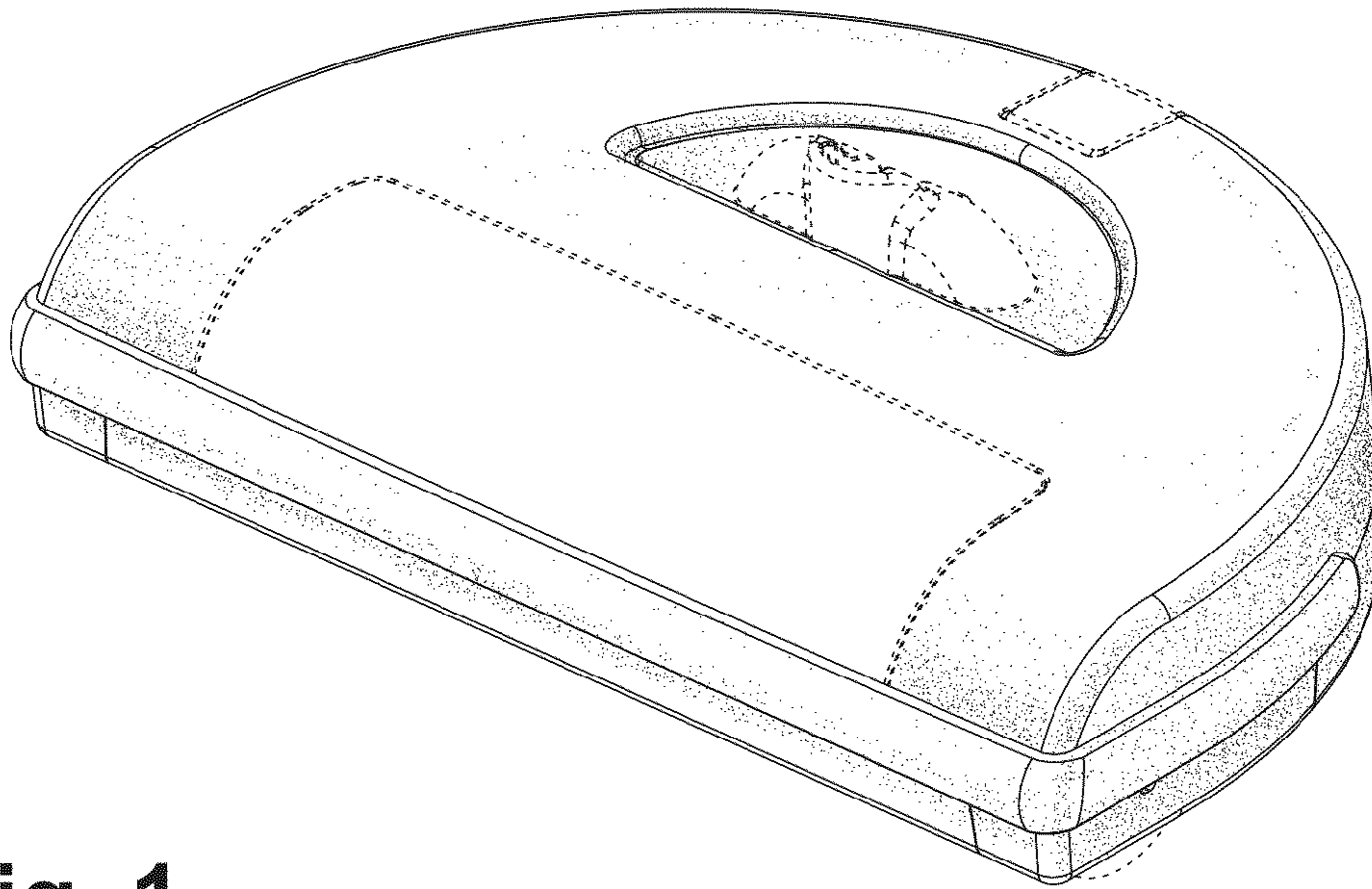


Fig. 1

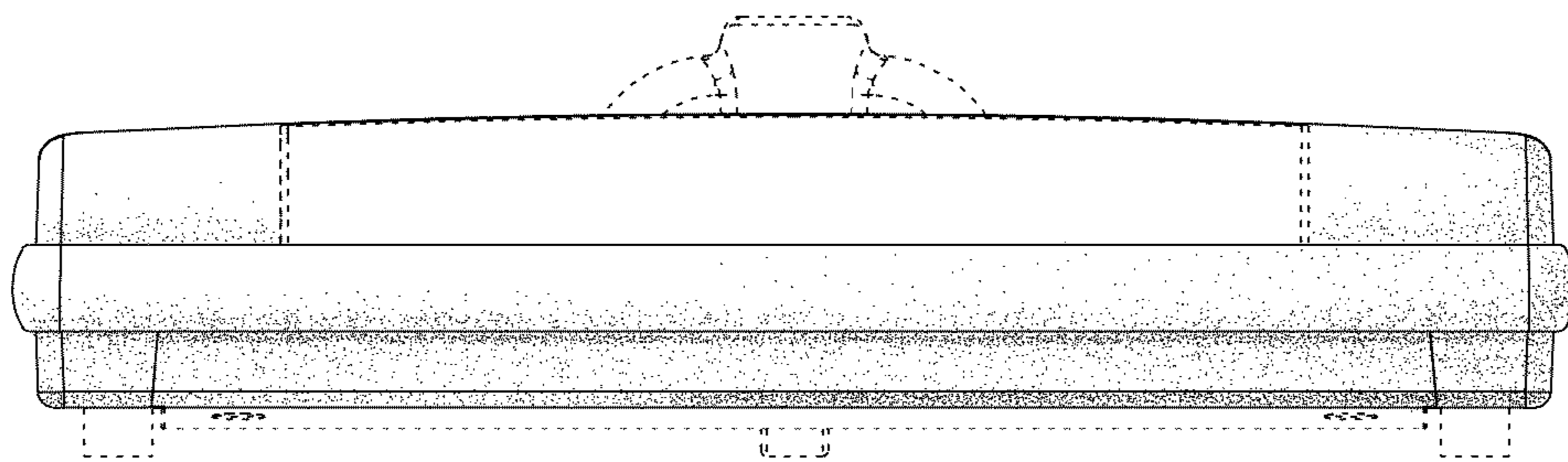


Fig. 2

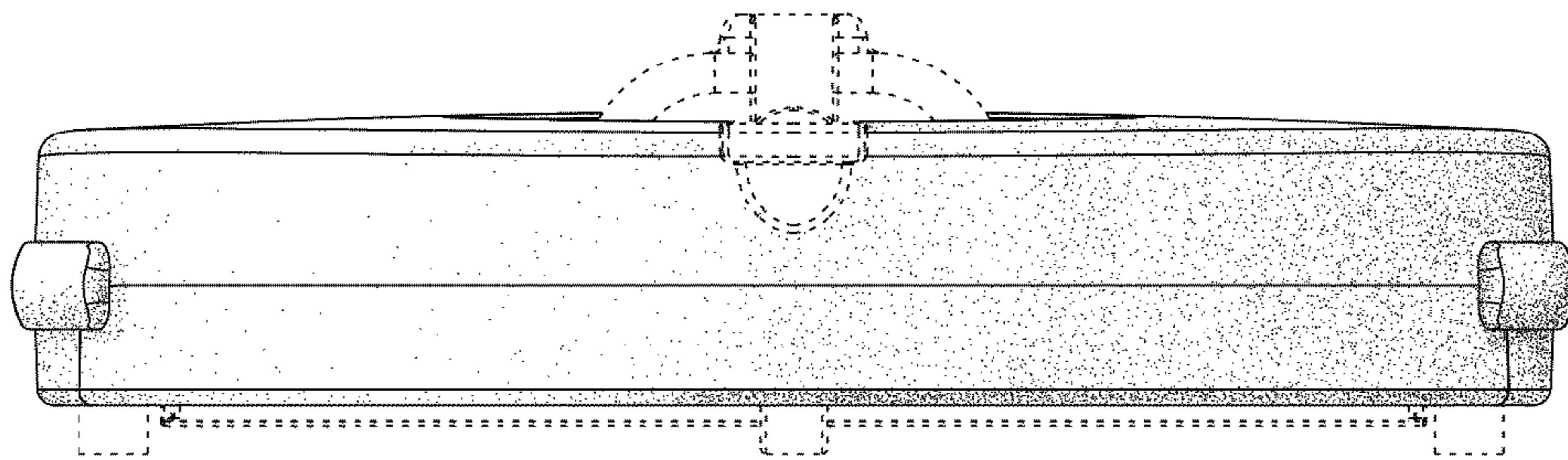


Fig. 3

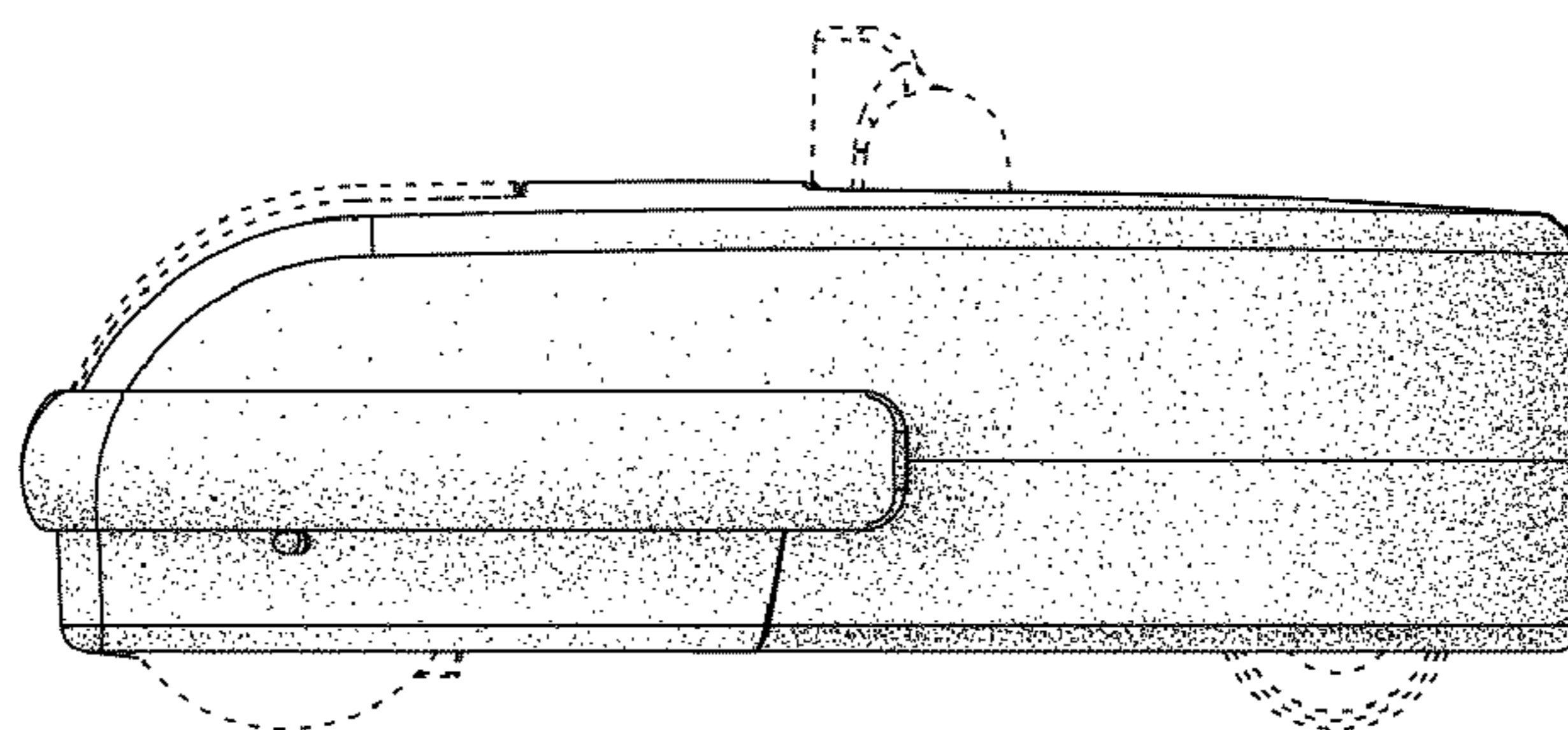


Fig. 4

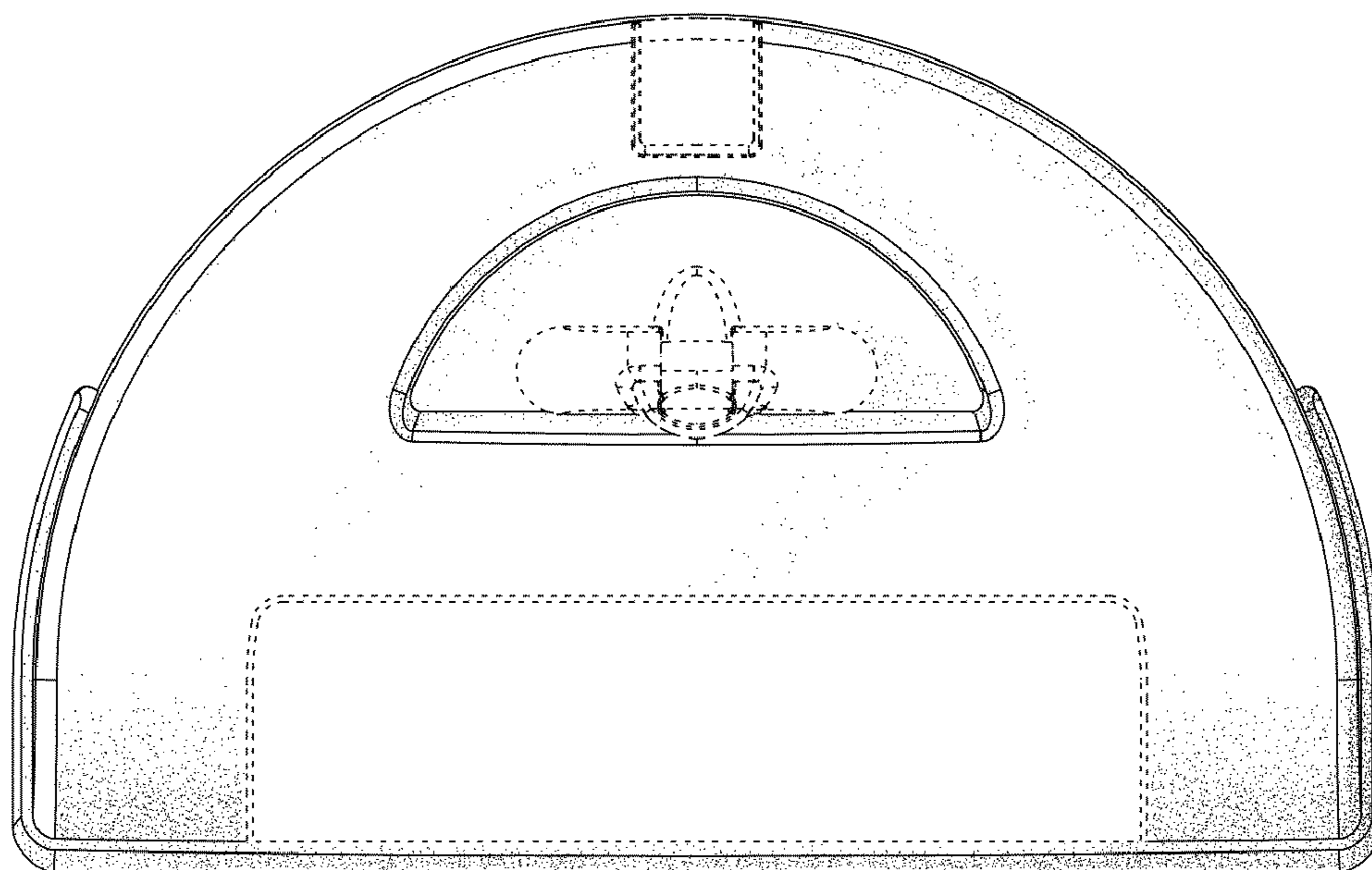


Fig. 5