



US00D626300S

(12) **United States Design Patent**
Lee et al.

(10) **Patent No.:** **US D626,300 S**
(45) **Date of Patent:** **** Oct. 26, 2010**

(54) **DRUM TYPE WASHING MACHINE**

D613,009 S * 3/2010 DeSalvo et al. D32/6

(75) Inventors: **Jonh Hyub Lee**, Seoul (KR); **Hee Jae Jeong**, Seoul (KR)

* cited by examiner

(73) Assignee: **Samsung Electronics Co., Ltd.**, Suwon (KR)

Primary Examiner—T. Chase Nelson
Assistant Examiner—Kathleen M Sims

(74) *Attorney, Agent, or Firm*—Ladas & Parry LLP

(**) Term: **14 Years**

(57) **CLAIM**

(21) Appl. No.: **29/355,197**

We claim the ornamental design for drum type washing machine, as shown and described.

(22) Filed: **Feb. 4, 2010**

DESCRIPTION

(51) **LOC (9) Cl.** **15-05**

(52) **U.S. Cl.** **D32/6**

(58) **Field of Classification Search** D32/1,
D32/5-6, 8; 68/3 R, 5 R, 12.01, 12.08; 34/87-88,
34/524, 534; 312/31

See application file for complete search history.

FIG. 1 is a front/right-side/top perspective view of a drum type washing machine showing our new design;

FIG. 2 is a front-side elevational view thereof;

FIG. 3 is a rear-side elevational view thereof;

FIG. 4 is a left-side elevational view thereof;

FIG. 5 is a right-side elevational view thereof;

FIG. 6 is a top-side elevational view thereof; and,

FIG. 7 is a bottom-side elevational view thereof.

The broken line showing of rear details in FIGS. 3, 4, 5, 6, and 7 is included for the purpose of showing environmental portions of the drum-type washing machine and forms no part of the claimed design.

(56) **References Cited**

U.S. PATENT DOCUMENTS

D564,144 S *	3/2008	Kwon	D32/6
D564,145 S *	3/2008	Kim	D32/6
D572,418 S *	7/2008	Suh et al.	D32/6
D577,870 S *	9/2008	Kim et al.	D32/6
D582,106 S *	12/2008	Kim et al.	D32/6
D599,508 S *	9/2009	Choi et al.	D32/6
D608,062 S *	1/2010	Jeong et al.	D32/6

1 Claim, 7 Drawing Sheets

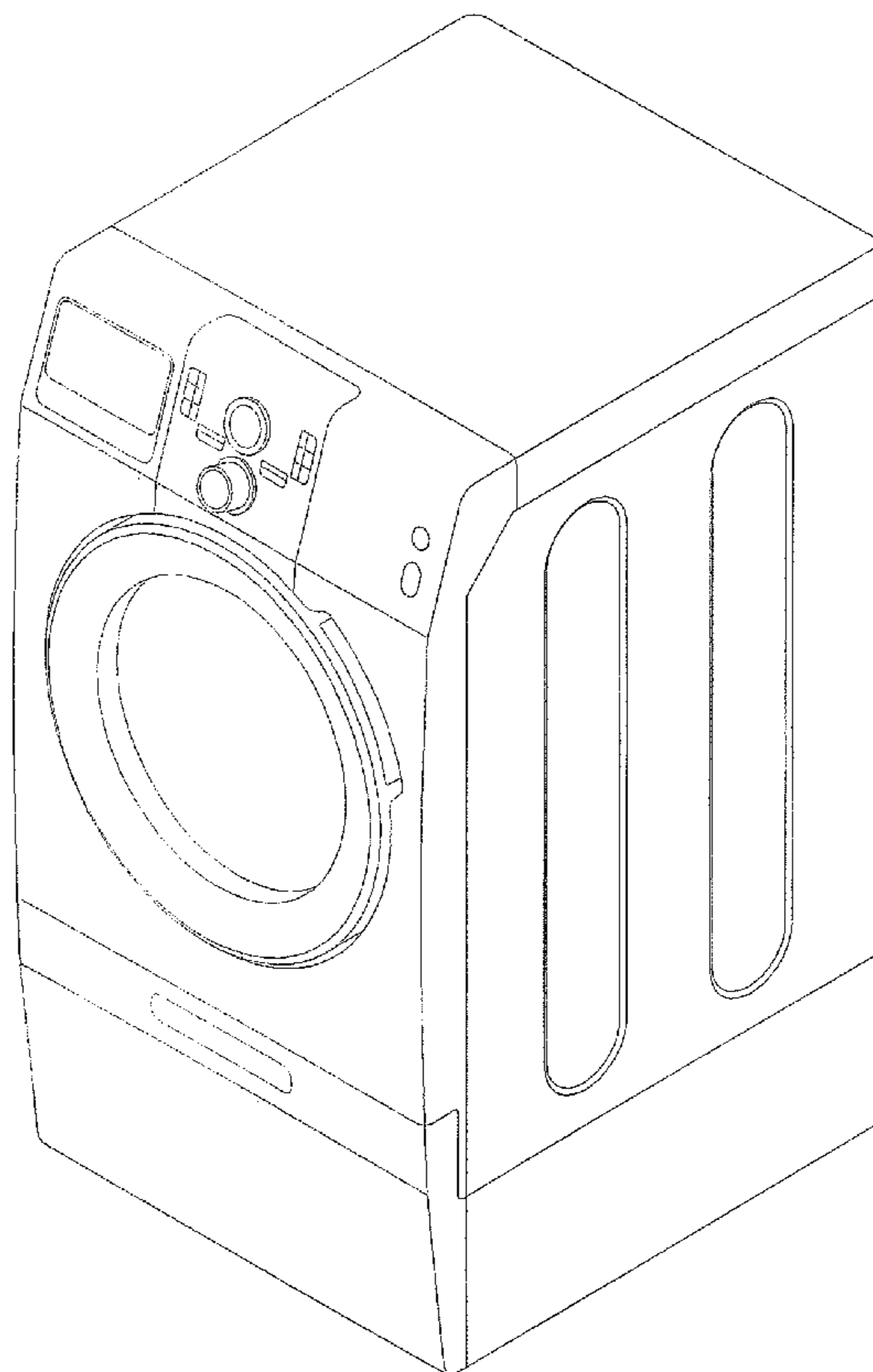


FIG. 1

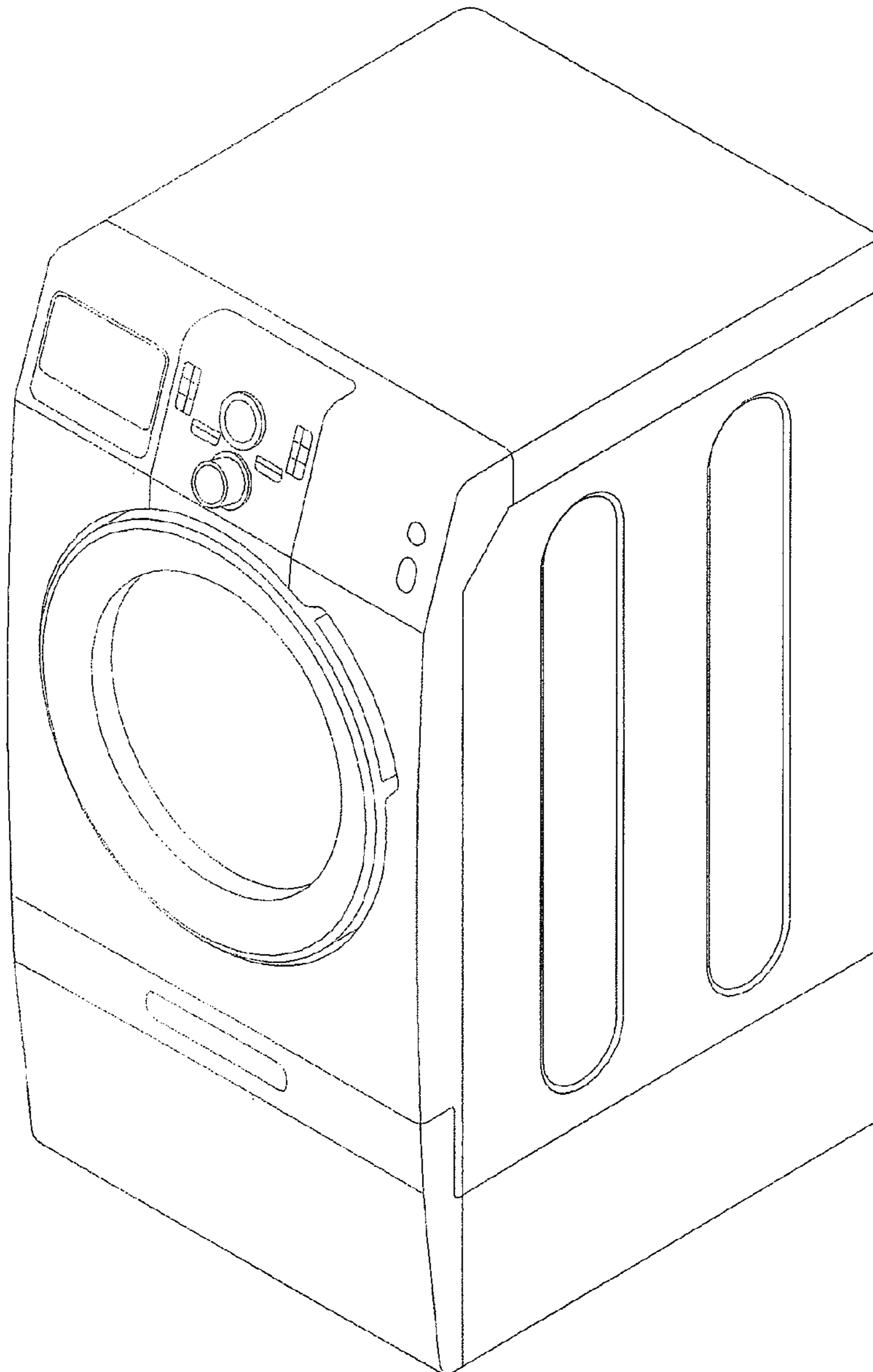


FIG. 2

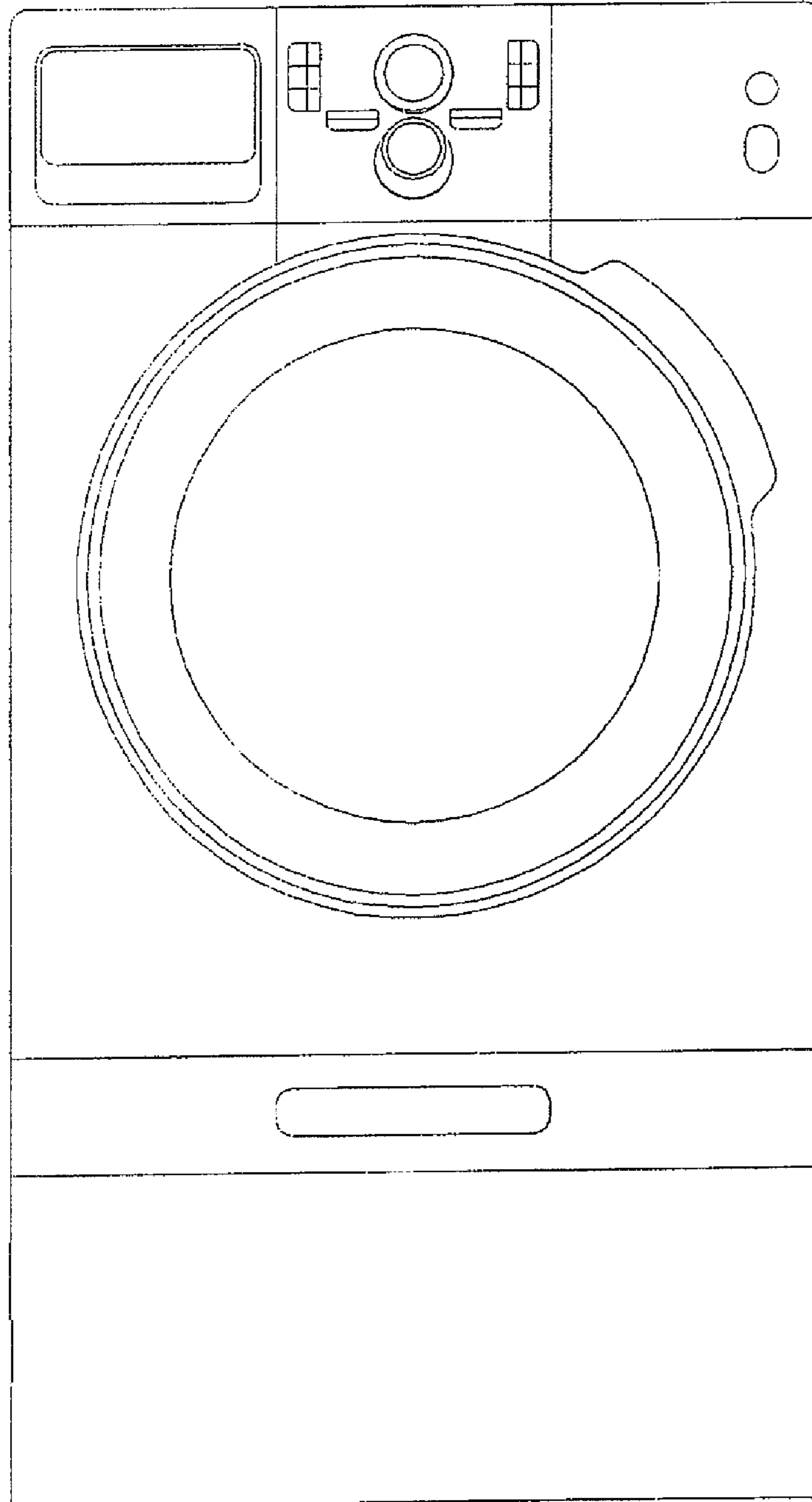


FIG. 3

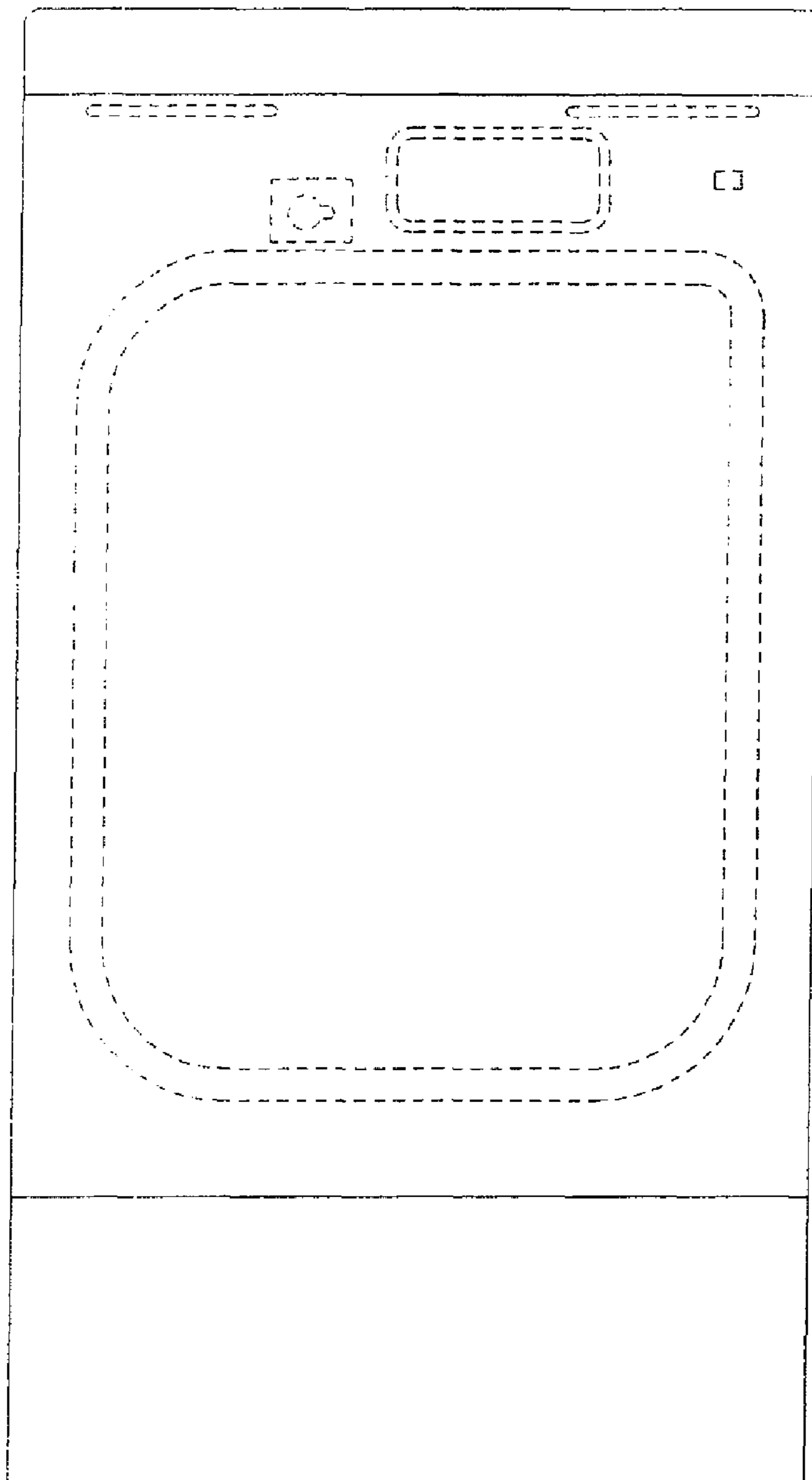


FIG. 4

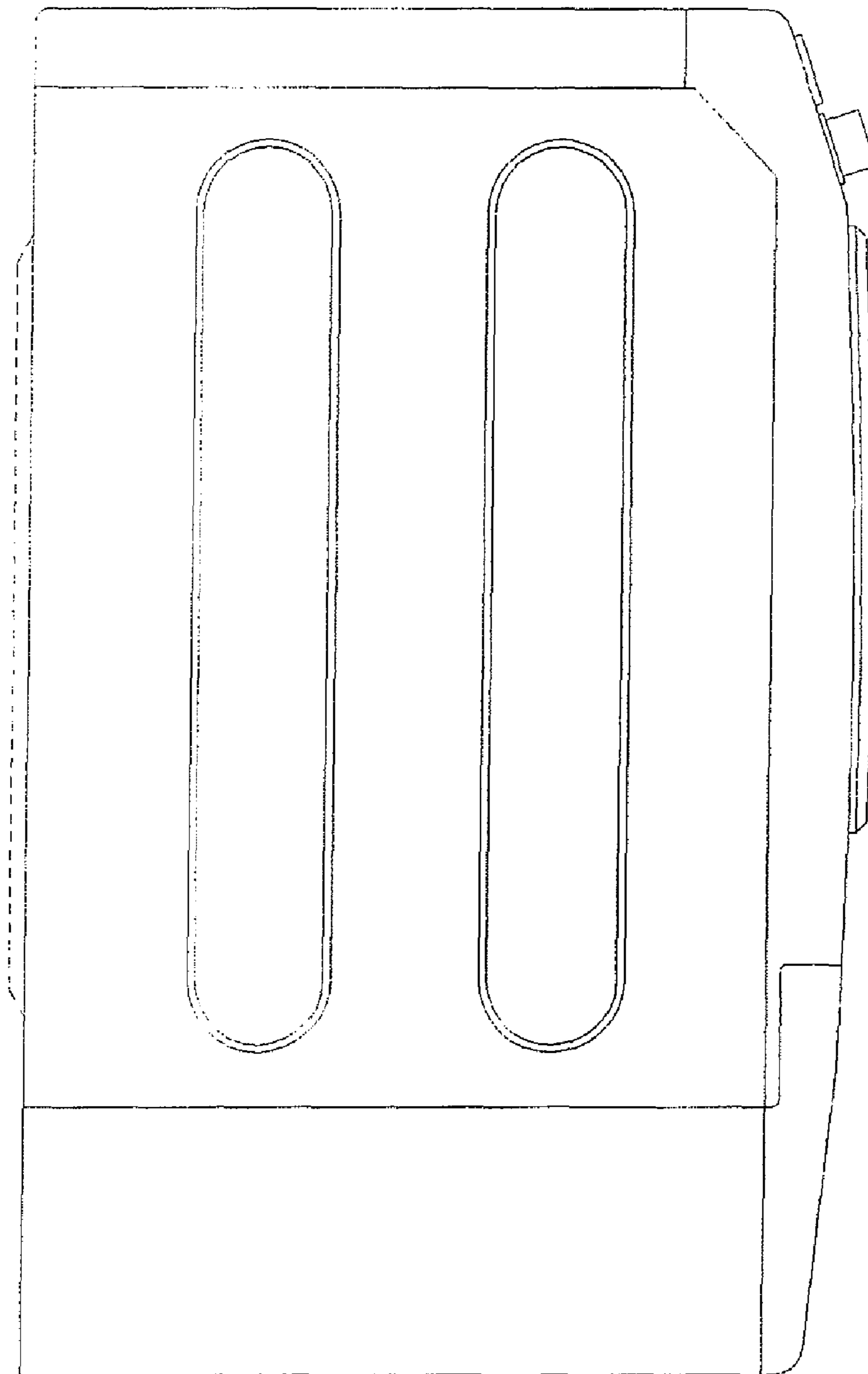


FIG. 5

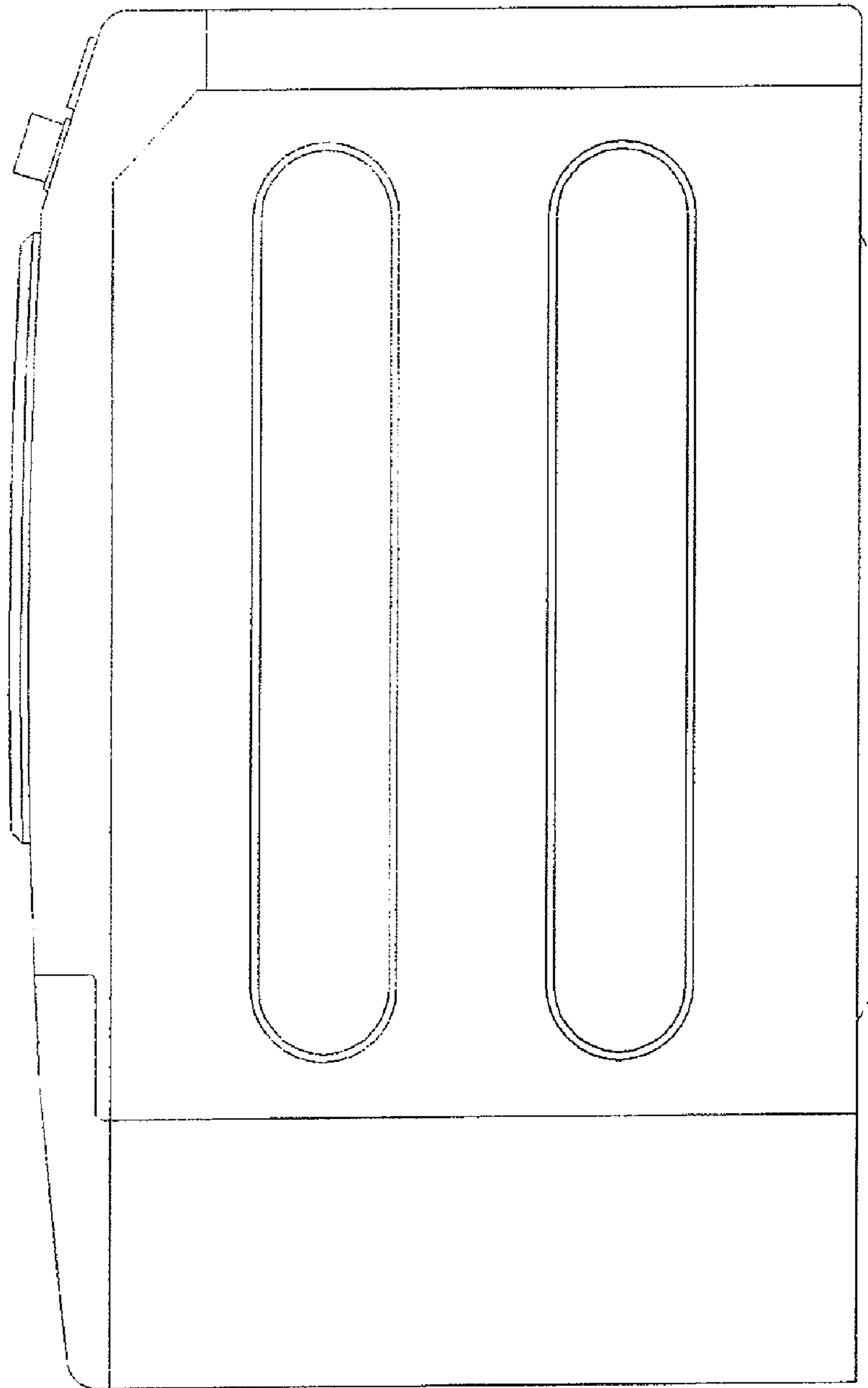


FIG. 6

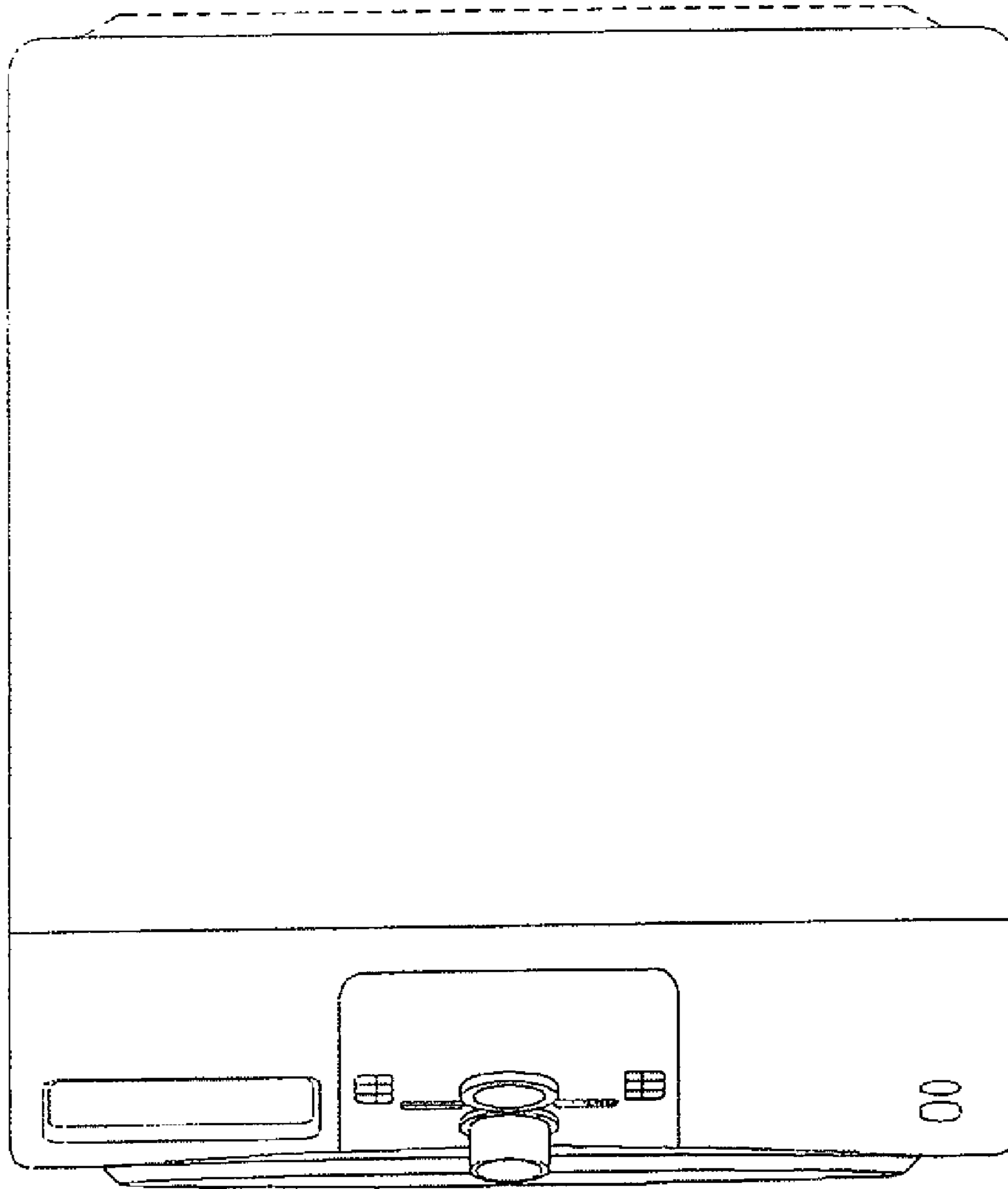


FIG. 7

