



US00D626298S

(12) **United States Design Patent**
Pharaoh

(10) **Patent No.:** **US D626,298 S**

(45) **Date of Patent:** **** Oct. 26, 2010**

(54) **UDDER SPRAYING APPARATUS**

(75) Inventor: **James Frederick Pharaoh**, Hamilton (NZ)

(73) Assignee: **Waikato Milking Systems NZ Limited**, Hamilton (NZ)

(**) Term: **14 Years**

(21) Appl. No.: **29/311,995**

(22) Filed: **Aug. 19, 2009**

(30) **Foreign Application Priority Data**

Feb. 19, 2009 (NZ) 411944
Feb. 19, 2009 (NZ) 411946

(51) **LOC (9) Cl.** **30-99**

(52) **U.S. Cl.** **D30/199**

(58) **Field of Classification Search** D30/199;
119/670, 665, 666, 903, 505, 14.01; 239/524,
239/DIG. 21

See application file for complete search history.

(56) **References Cited**

U.S. PATENT DOCUMENTS

3,221,708	A *	12/1965	Marley	119/665
3,554,166	A *	1/1971	Belden	119/670
D250,646	S *	12/1978	Hashimoto et al.	D14/200
D282,737	S *	2/1986	Huang	D14/143
5,101,770	A *	4/1992	Stevenson	119/651
5,233,940	A *	8/1993	Berglund	119/505
D374,437	S *	10/1996	Pekelney et al.	D14/408
D376,789	S *	12/1996	Tickle	D14/408
D378,751	S *	4/1997	Smith	D14/408
D381,968	S *	8/1997	Edwards et al.	D14/408
D386,165	S *	11/1997	Tseng	D14/408
D409,596	S *	5/1999	Burschinger	D14/408

D411,190	S *	6/1999	McMahon et al.	D14/408
D413,322	S *	8/1999	Sheehan et al.	D14/408
D417,665	S *	12/1999	Isonaga	D14/408
D421,602	S *	3/2000	Hu	D14/408
6,095,430	A *	8/2000	Bailey	239/201
D432,129	S *	10/2000	Burschinger	D14/403
D435,848	S *	1/2001	Sheehan et al.	D14/408
D438,540	S *	3/2001	Gneuss	D14/403
D452,504	S *	12/2001	Hu	D14/408
D461,475	S *	8/2002	Hu	D14/408
D479,843	S *	9/2003	Mori	D14/408
D487,464	S *	3/2004	Yoon et al.	D14/408
D487,745	S *	3/2004	Morisawa	D14/408
D511,164	S *	11/2005	Chen	D14/408
D530,621	S *	10/2006	Rashid	D9/686

* cited by examiner

Primary Examiner—Susan Moon Lee

(74) *Attorney, Agent, or Firm*—Jacobson Holman PLLC

(57) **CLAIM**

I claim the ornamental design for an udder spraying apparatus, as shown and described.

DESCRIPTION

FIG. 1 is a top perspective view of the udder spraying apparatus;

FIG. 2 is a top perspective view of FIG. 1 from other end;

FIG. 3 is a bottom perspective view of FIG. 1;

FIG. 4 is a top plan view of the FIG. 1;

FIG. 5 is a left end elevational view of FIG. 1;

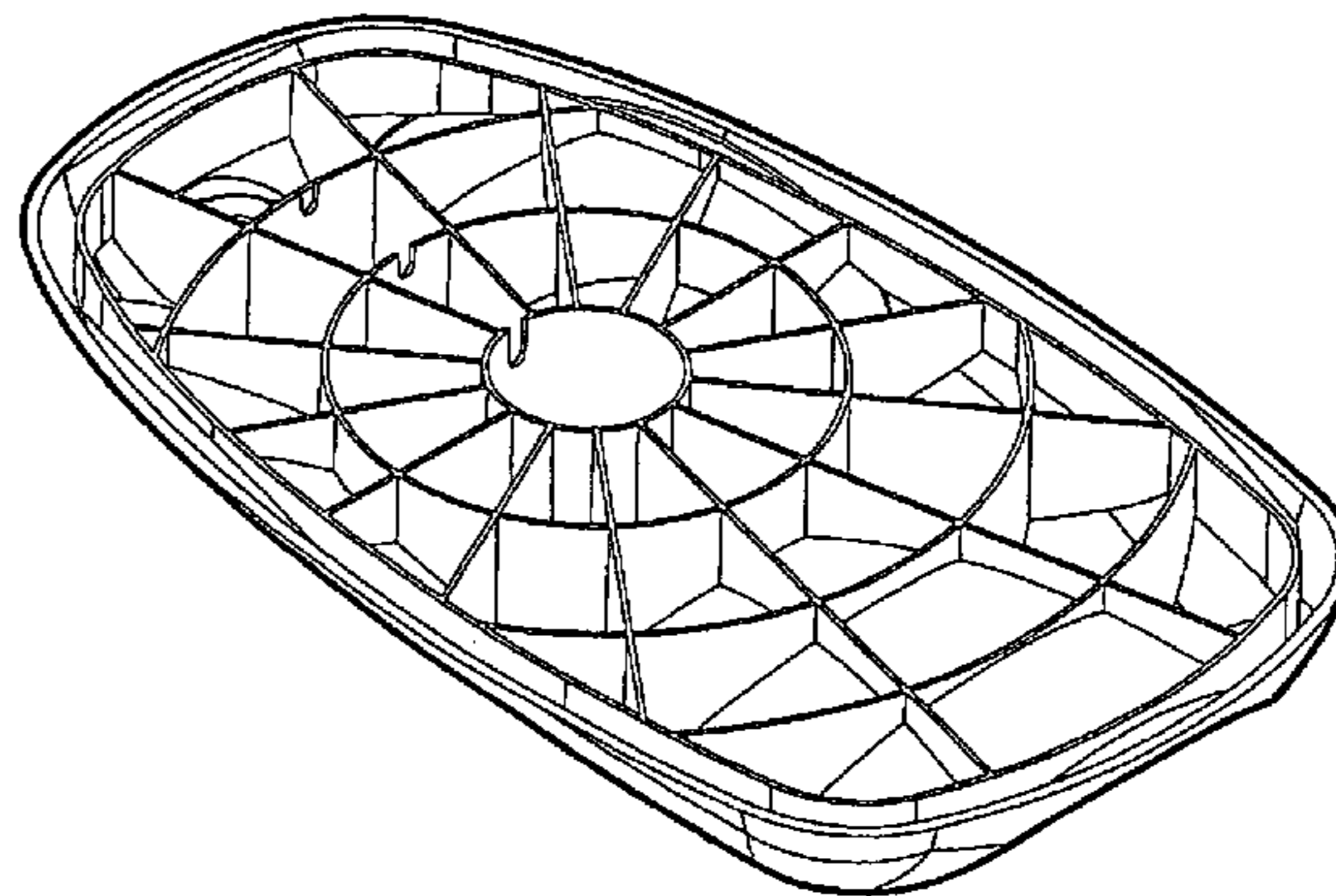
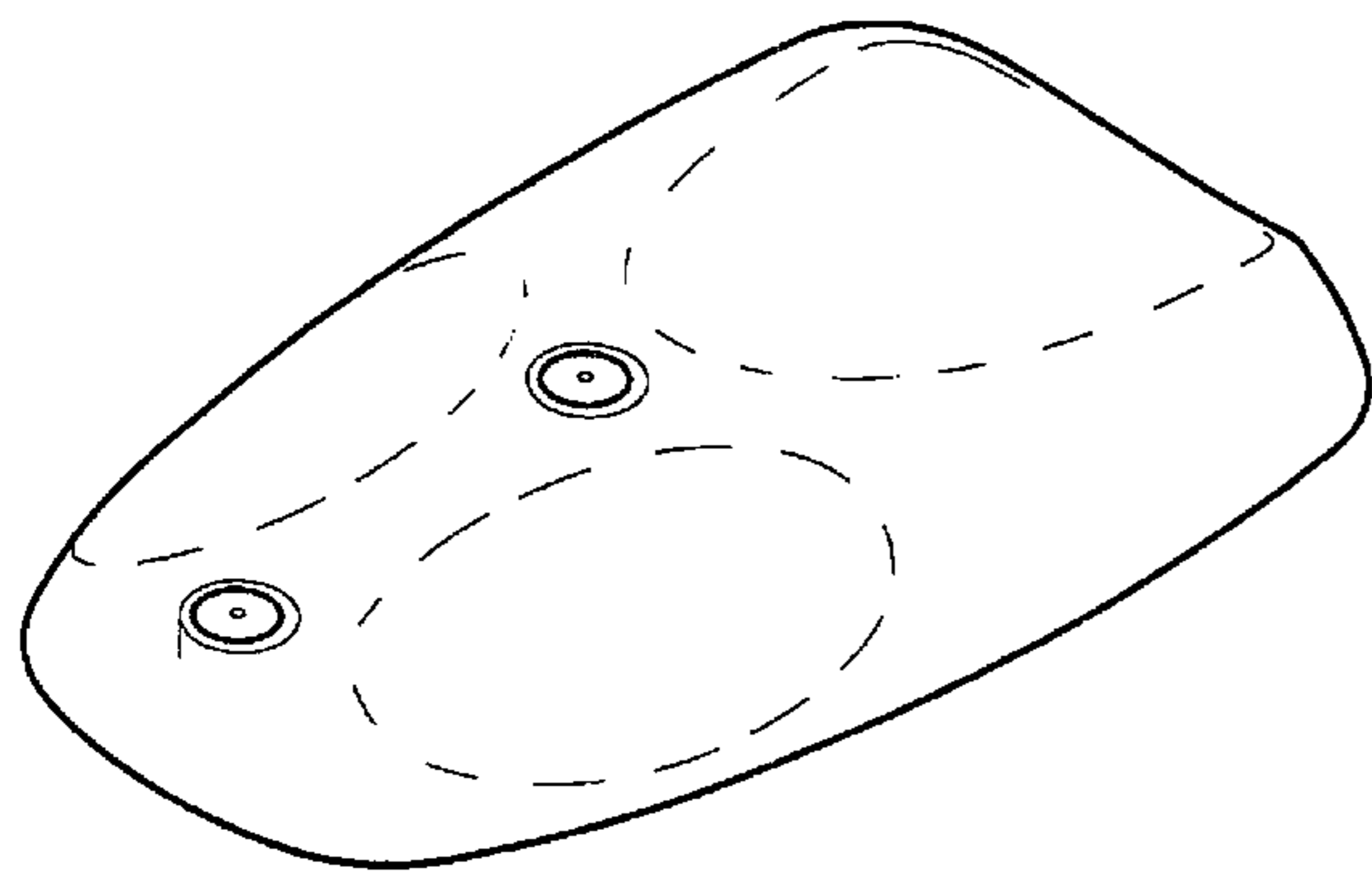
FIG. 6 is a front elevational view of FIG. 1;

FIG. 7 is a right end elevational view of FIG. 1; and,

FIG. 8 is a bottom view of FIG. 1.

The portions depicted in broken line are not claimed.

1 Claim, 2 Drawing Sheets



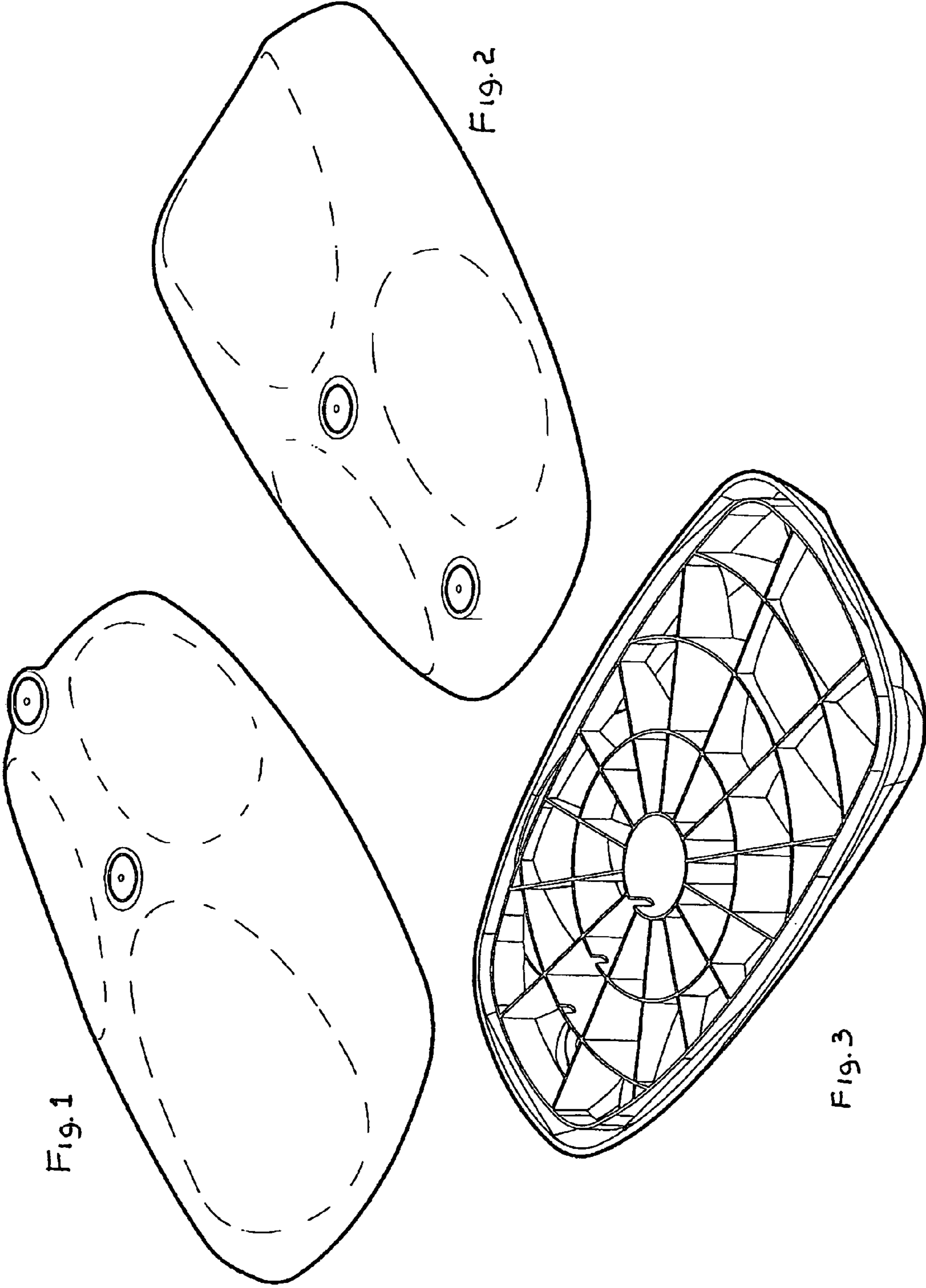


Fig. 1

Fig. 2

Fig. 3

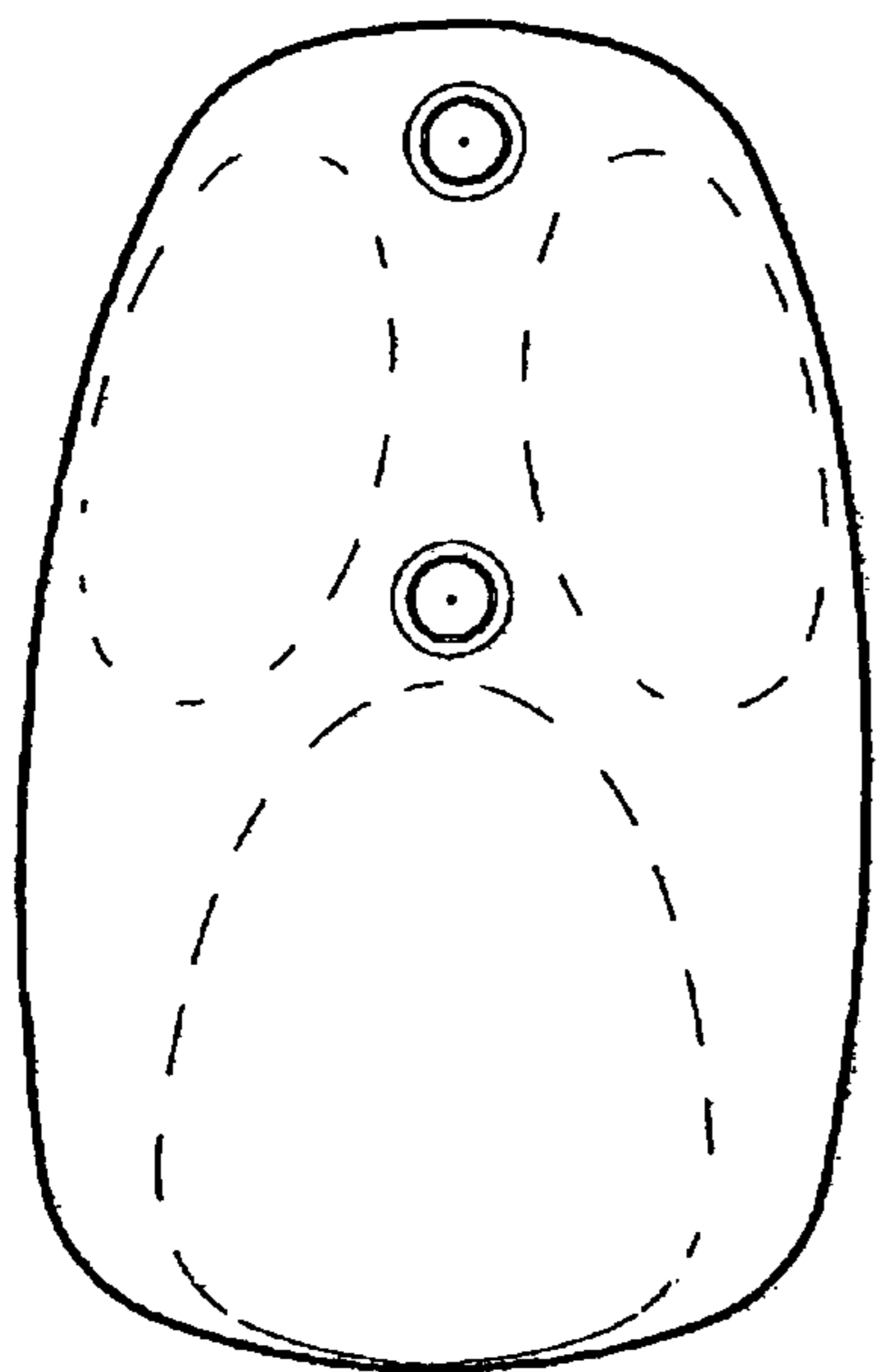


Fig. 4

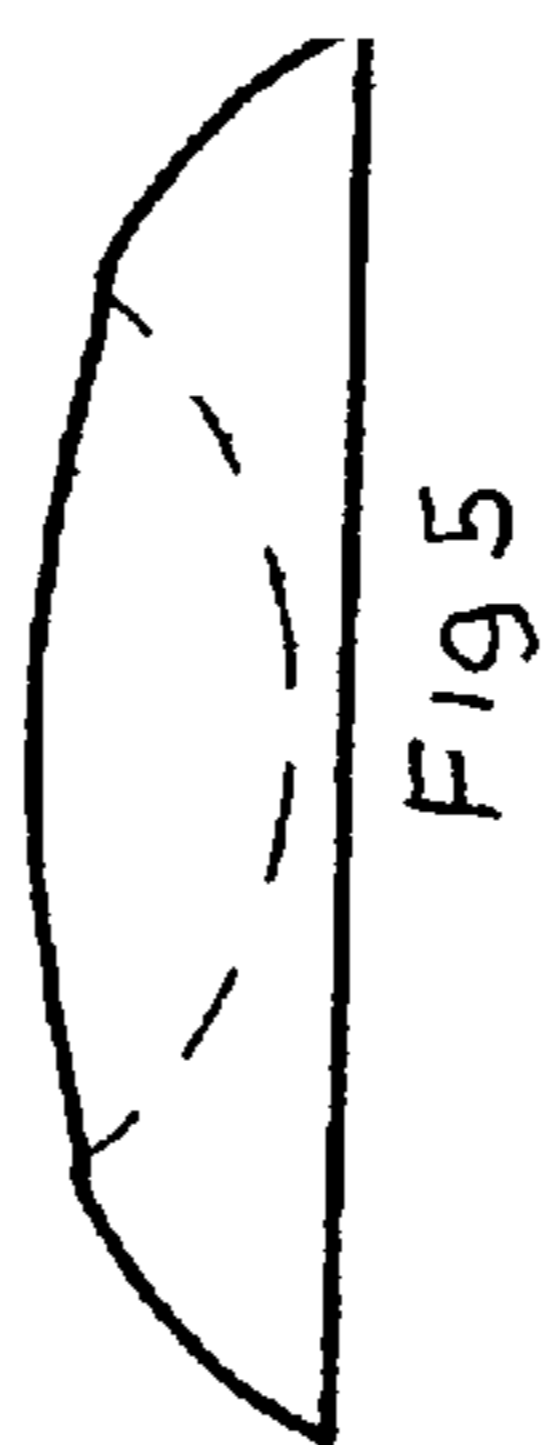


Fig. 5



Fig. 6



Fig. 7

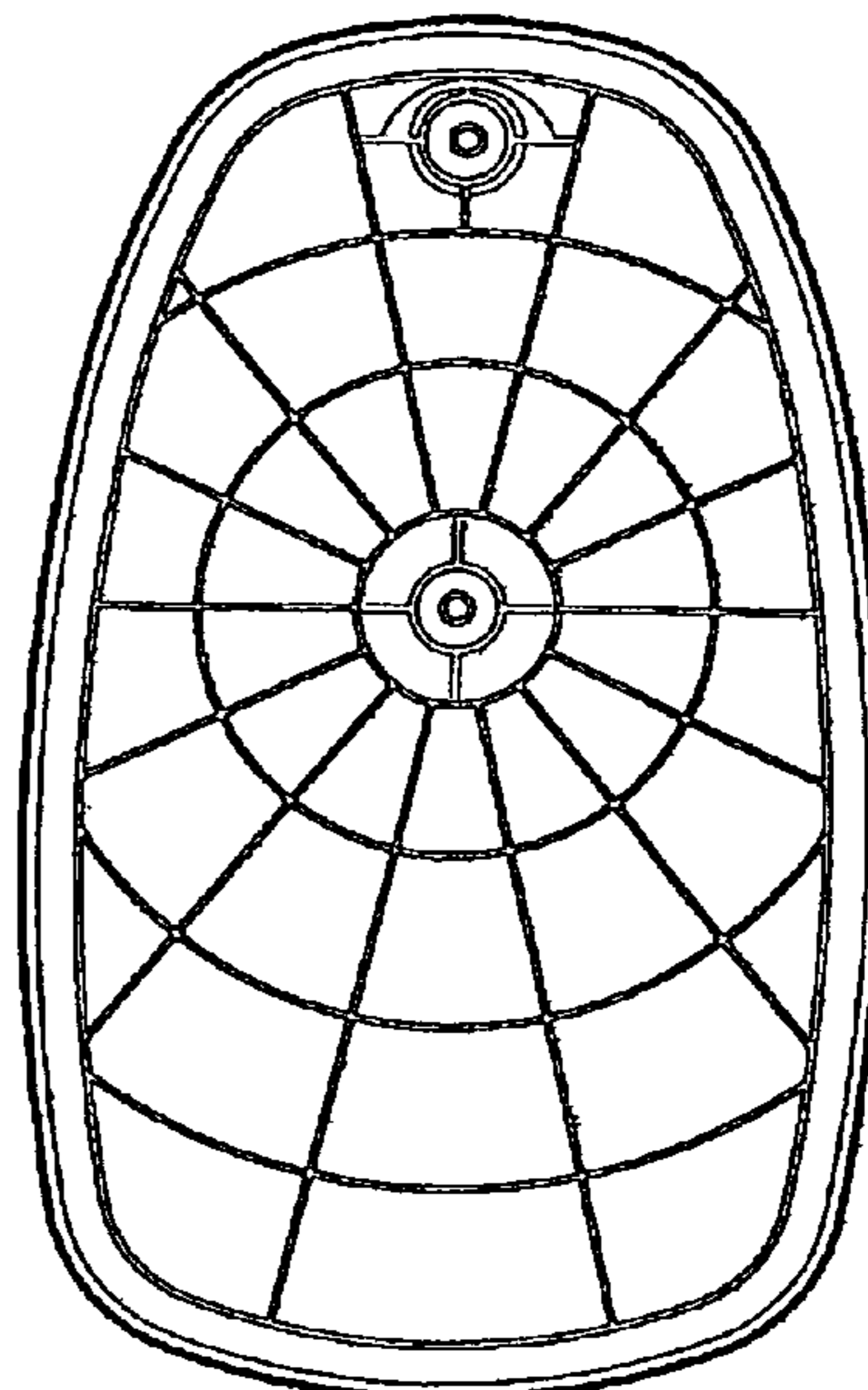


Fig. 8