



US00D626290S

(12) **United States Design Patent**
Ohmoto et al.

(10) **Patent No.:** **US D626,290 S**

(45) **Date of Patent:** **** Oct. 26, 2010**

(54) **COSMETIC CONTAINER**

(75) Inventors: **Miwa Ohmoto**, Kobe (JP); **Kazuhiro Yamada**, Ashiya (JP); **Sayaka Ikoma**, Ashiya (JP); **Murphy (Greene) Mongeon**, Baltimore, MD (US); **Fumie Shibata**, Tokyo (JP)

(73) Assignee: **The Procter & Gamble Company**, Cincinnati, OH (US)

(**) Term: **14 Years**

(21) Appl. No.: **29/315,690**

(22) Filed: **Jul. 15, 2009**

(51) **LOC (9) Cl.** **28-03**

(52) **U.S. Cl.** **D28/83**

(58) **Field of Classification Search** D28/76-84;
D9/500, 503-505, 414, 418, 420-423, 428;
206/581, 823; 132/286-318

See application file for complete search history.

(56) **References Cited**

U.S. PATENT DOCUMENTS

- D340,541 S * 10/1993 Chen D28/83
- D429,070 S * 8/2000 Marshall D9/420
- D517,245 S * 3/2006 Ditrichstein et al. D28/83
- D526,192 S * 8/2006 Post D9/420

- D552,797 S * 10/2007 Kuethe et al. D28/83
- 2008/0289645 A1 * 11/2008 Guillot 132/200

* cited by examiner

Primary Examiner—Jennifer Rivard

(74) *Attorney, Agent, or Firm*—Megan C. Hymore; James C. Vago; Carl J. Roof

(57) **CLAIM**

We claim the ornamental design for the cosmetic container, as shown and described.

DESCRIPTION

FIG. 1 is a perspective view of a cosmetic container, embodying our new design;

FIG. 2 is a front view thereof;

FIG. 3 is a back view thereof;

FIG. 4 is a side view thereof;

FIG. 5 is a top plan view thereof;

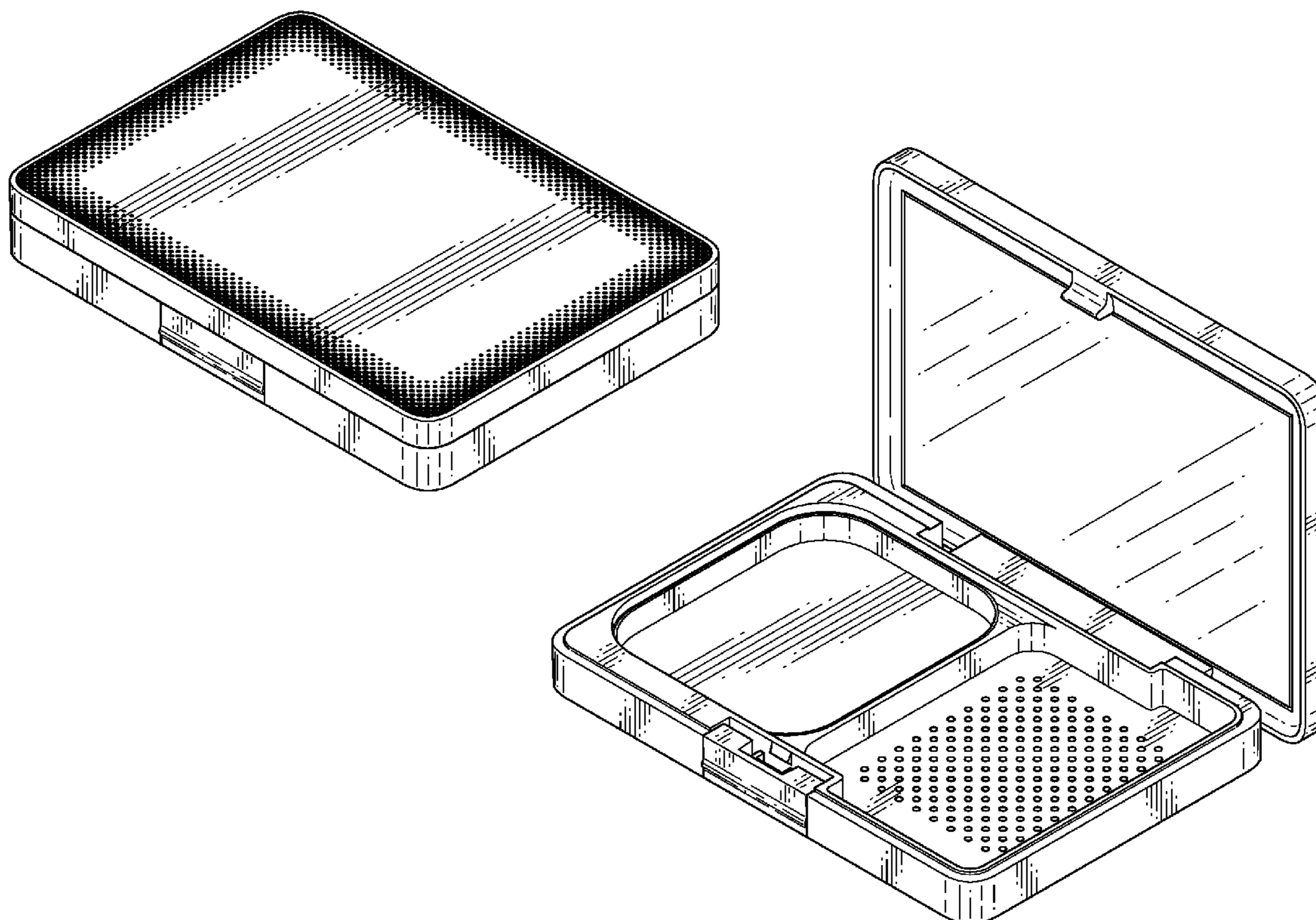
FIG. 6 is a bottom plan view thereof;

FIG. 7 is a cross sectional view taken along line 7—7 in FIG. 2; and,

FIG. 8 is a perspective view thereof in an open position.

The opposite side view of FIG. 4 is a mirror image thereof.

1 Claim, 5 Drawing Sheets



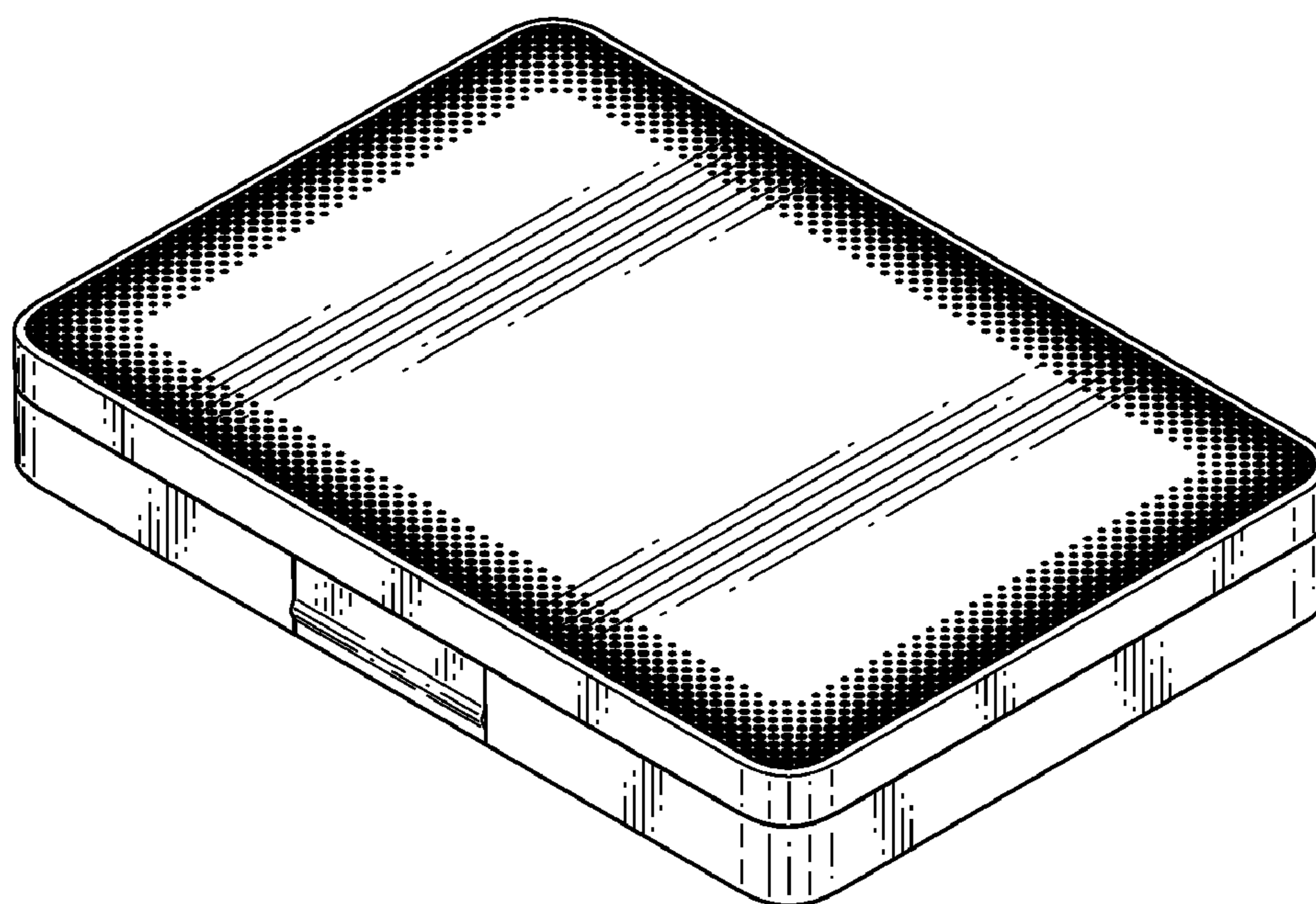


Fig. 1

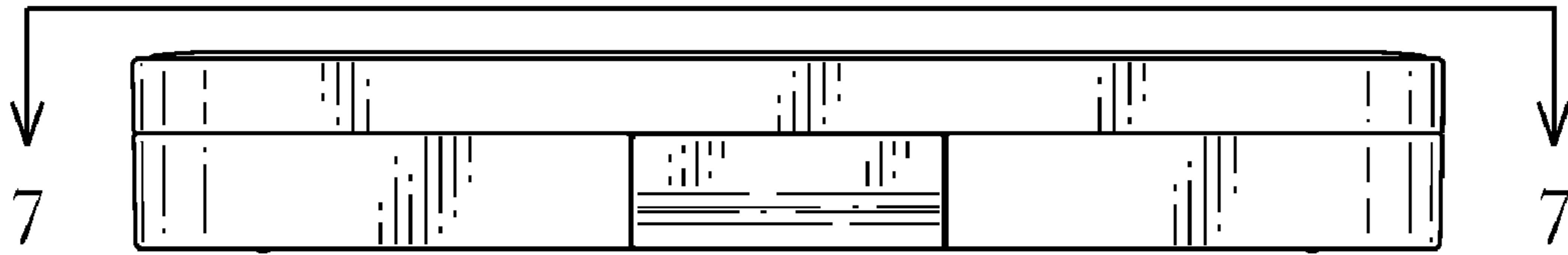


Fig. 2

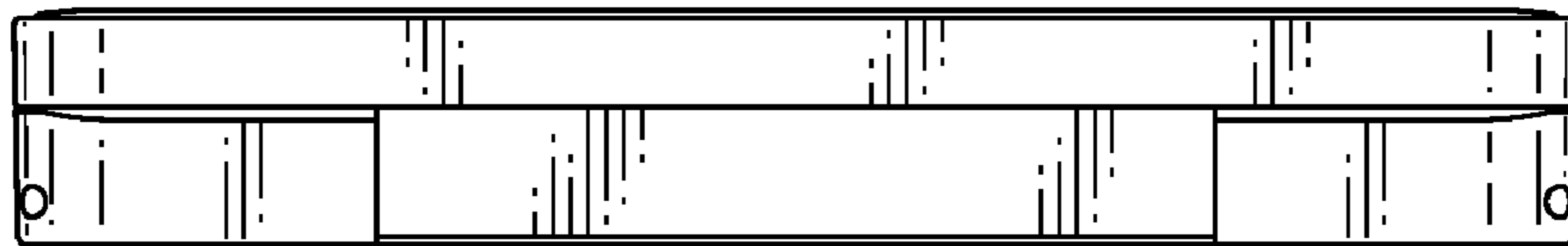


Fig. 3

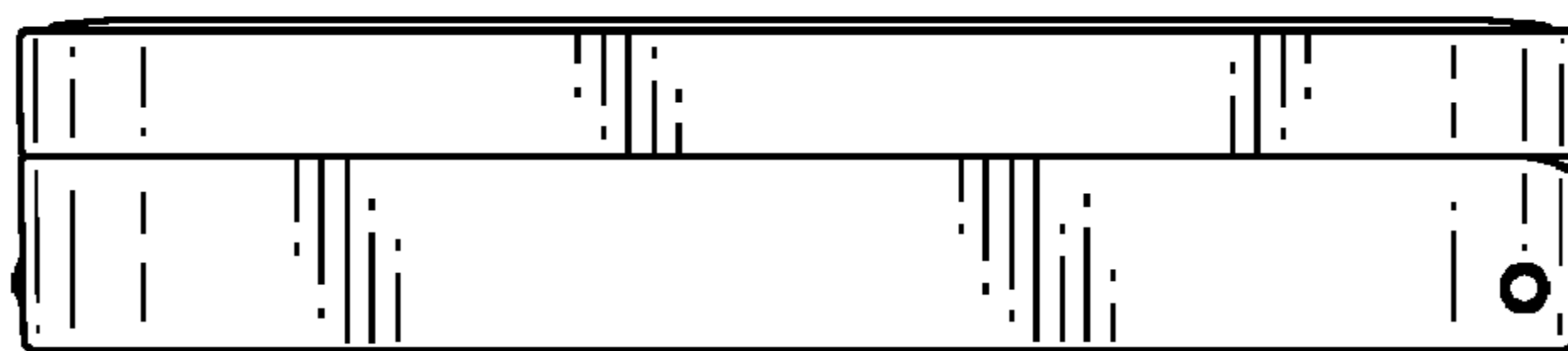


Fig. 4

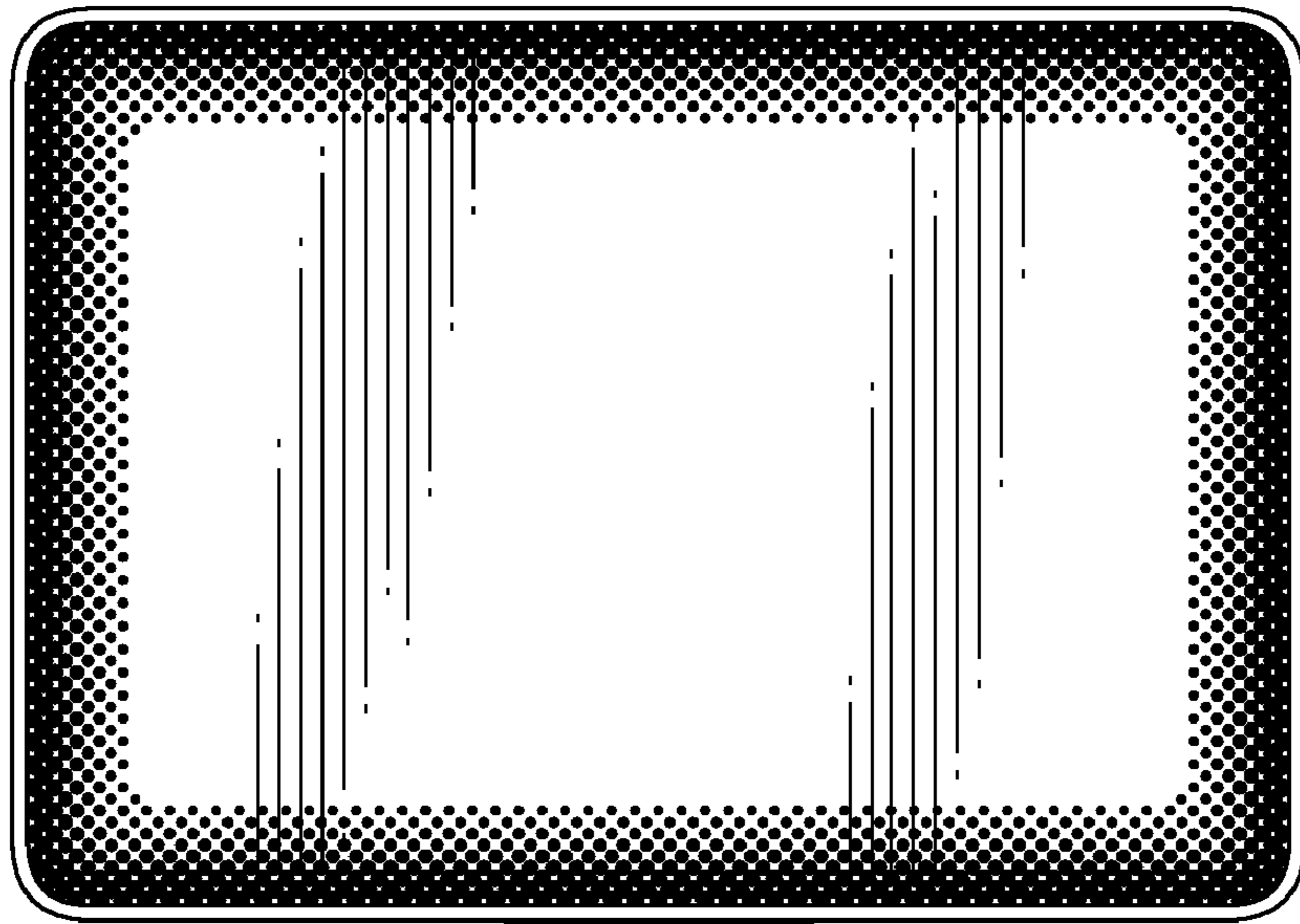


Fig. 5

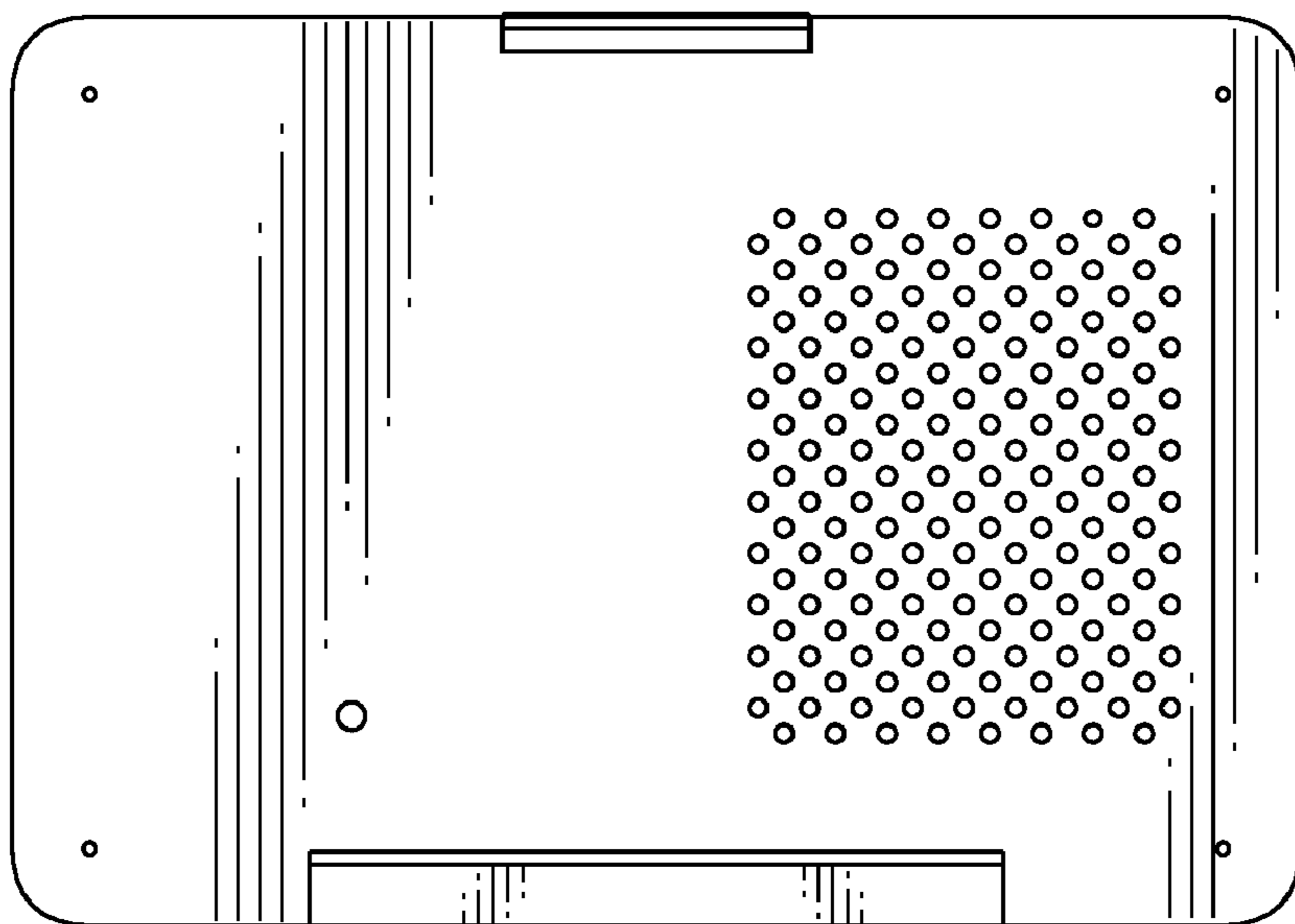


Fig. 6

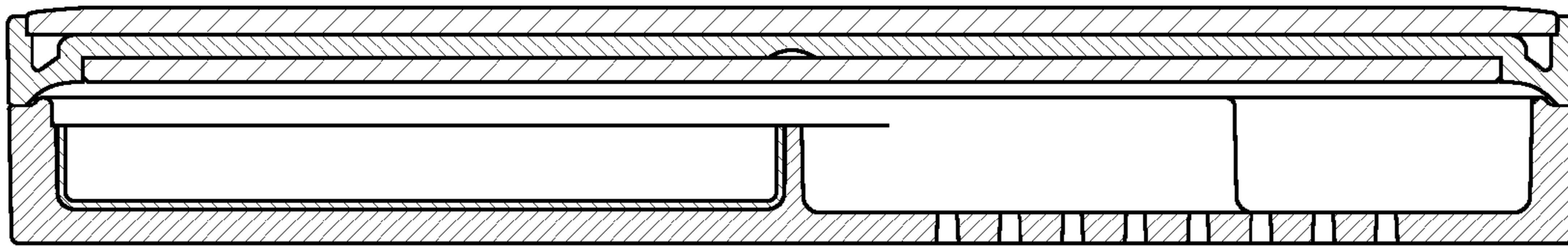


Fig. 7

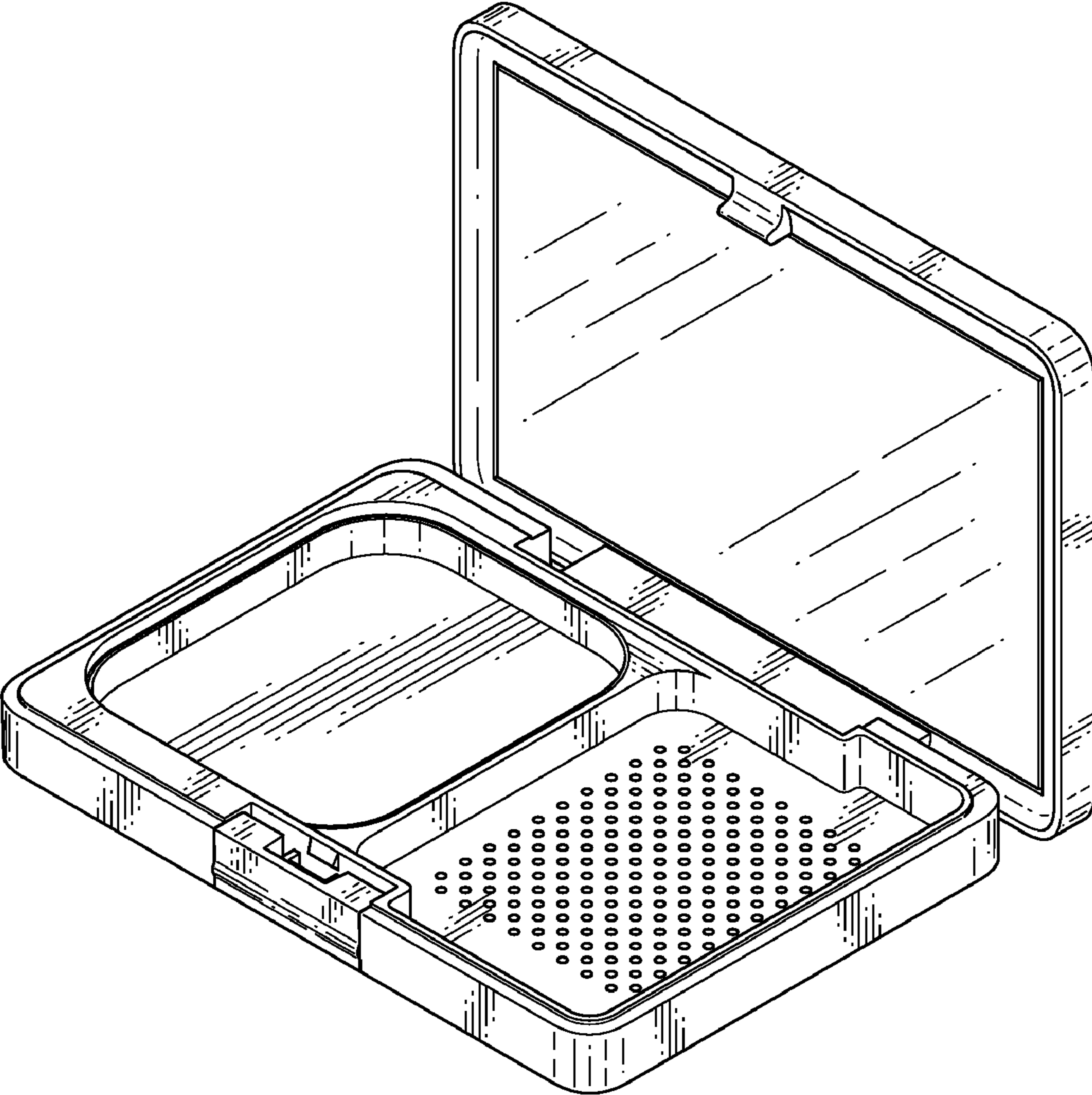


Fig. 8