



US00D626285S

(12) **United States Design Patent**
Adame

(10) **Patent No.:** **US D626,285 S**

(45) **Date of Patent:** **** Oct. 26, 2010**

(54) **CIGAR HOLDER FOR GOLF CART**

(76) Inventor: **Michael Adame**, 11929 Allbrook Dr.,
Poway, CA (US) 92064

(**) Term: **14 Years**

(21) Appl. No.: **29/351,010**

(22) Filed: **Nov. 26, 2009**

(51) **LOC (9) Cl.** **27-06**

(52) **U.S. Cl.** **D27/183**

(58) **Field of Classification Search** D27/172,
D27/183, 186–188, 193; 131/330, 175, 187,
131/188, 190

See application file for complete search history.

(56) **References Cited**

U.S. PATENT DOCUMENTS

D11,877 S *	7/1880	Kurczyn	D27/183
D105,527 S *	8/1937	Holder	D27/183
D118,735 S *	1/1940	Feigel	D27/183
D167,635 S *	9/1952	Kather	D27/170
D308,935 S *	7/1990	Leatherman	D8/395
D311,600 S *	10/1990	Peracca	D27/183
D392,770 S *	3/1998	Scallon et al.	D27/183
D400,298 S *	10/1998	Vignerot	D27/183
5,842,481 A *	12/1998	King	131/187
D405,224 S *	2/1999	Falconio	D27/183
D406,386 S *	3/1999	Kuniansky et al.	D27/183
D408,097 S *	4/1999	Heydt	D27/183
D408,582 S *	4/1999	Varn	D27/183

6,341,609 B1 *	1/2002	Morris	131/190
D493,012 S *	7/2004	Rich	D27/183
2003/0024540 A1 *	2/2003	Gibertini	131/190

* cited by examiner

Primary Examiner—Stella M Reid

Assistant Examiner—Keli L Hill

(74) *Attorney, Agent, or Firm*—Eric Hanscom; Todd J. Langford

(57) **CLAIM**

The ornamental design for a cigar holder for golf cart, as shown and described.

DESCRIPTION

FIG. 1 is a perspective exploded view of a cigar holder for golf cart showing my new design;

FIG. 2 is a left side view thereof;

FIG. 3 is a top view thereof;

FIG. 4 is a right side view thereof;

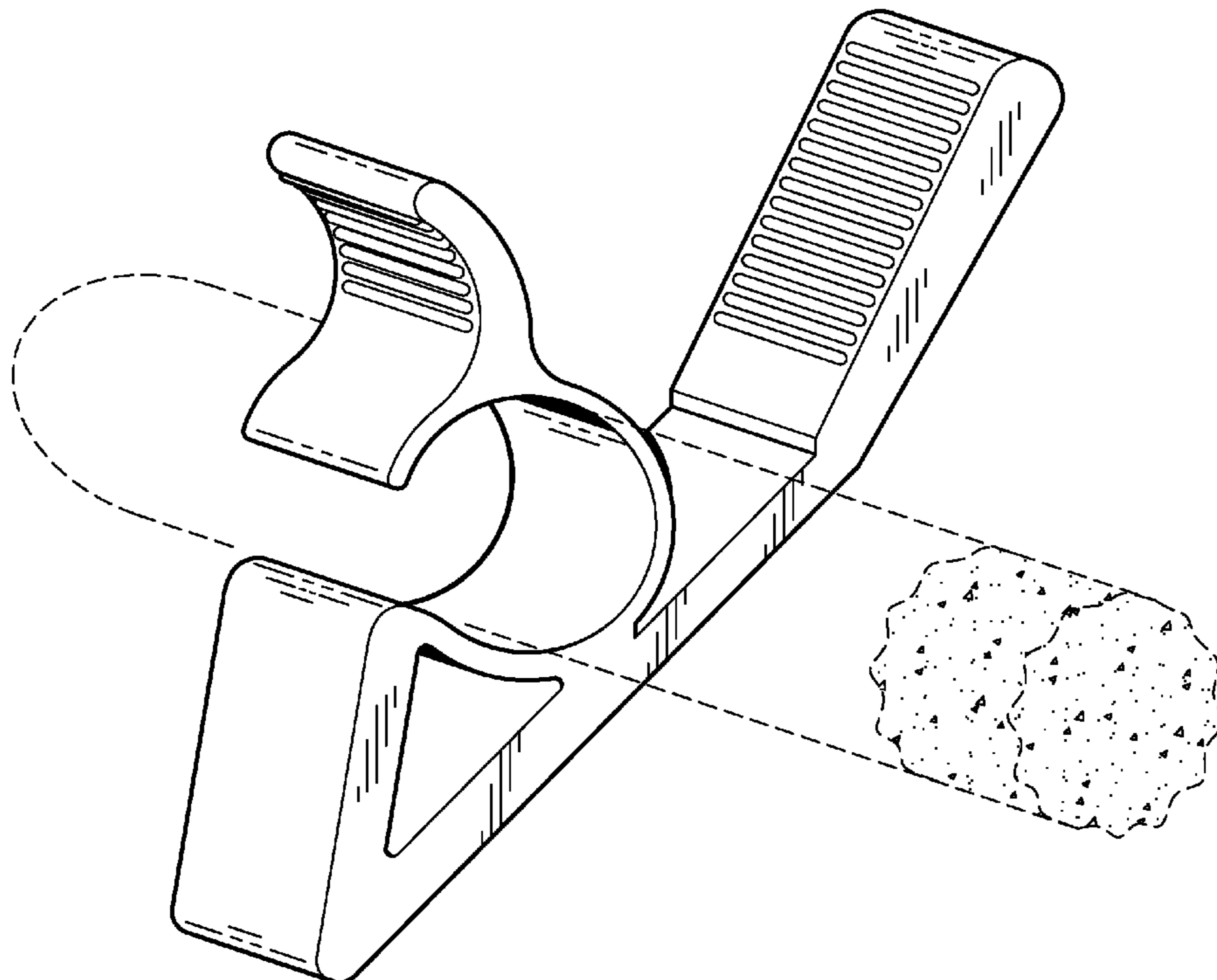
FIG. 5 is a bottom view thereof;

FIG. 6 is a front view thereof; and,

FIG. 7 is a back view thereof.

The broken line showing in FIG. 1 of the cigar, including its textured tip, are included for the purpose of illustrating environment of the design and forms no part of the claimed design.

1 Claim, 2 Drawing Sheets



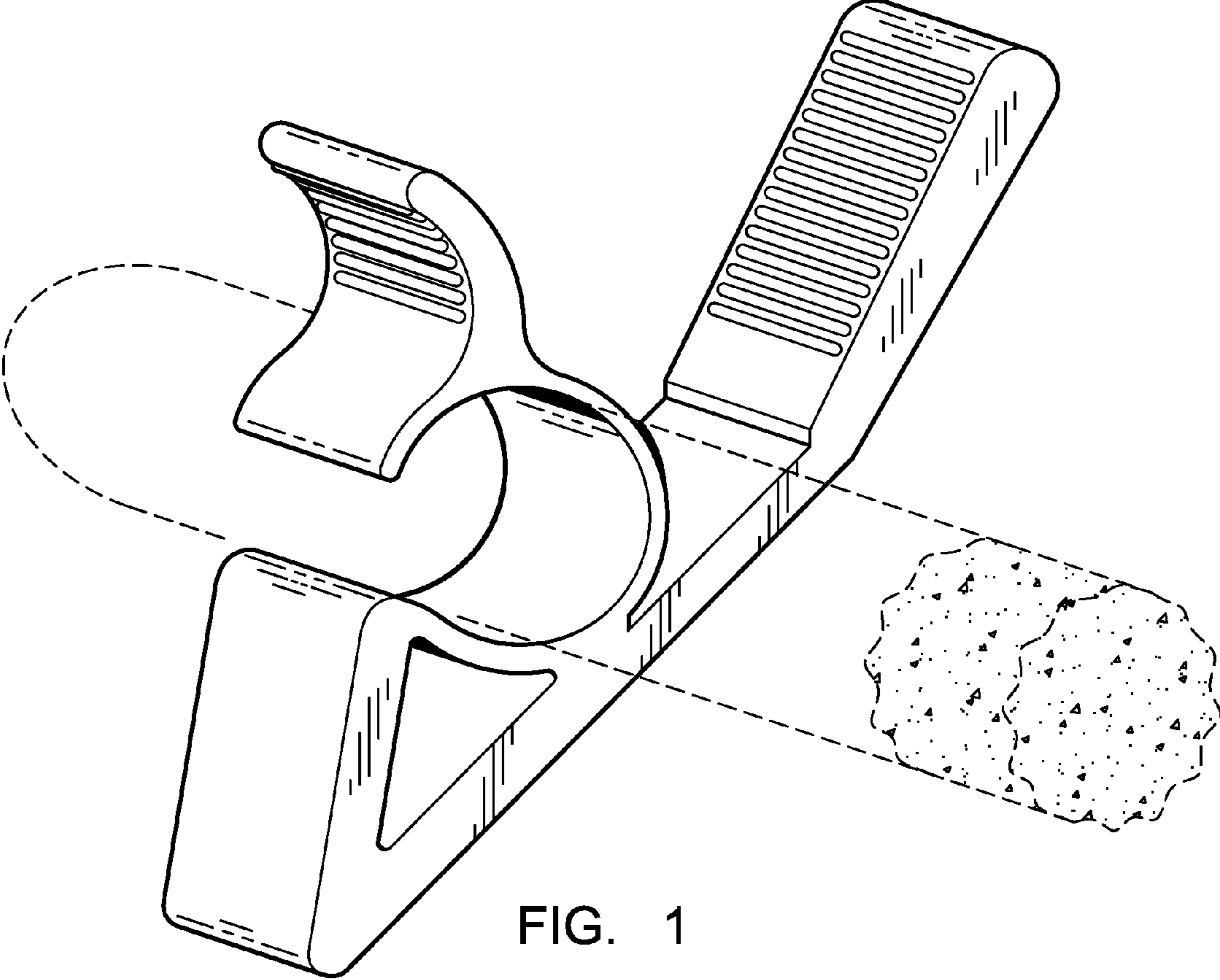


FIG. 1

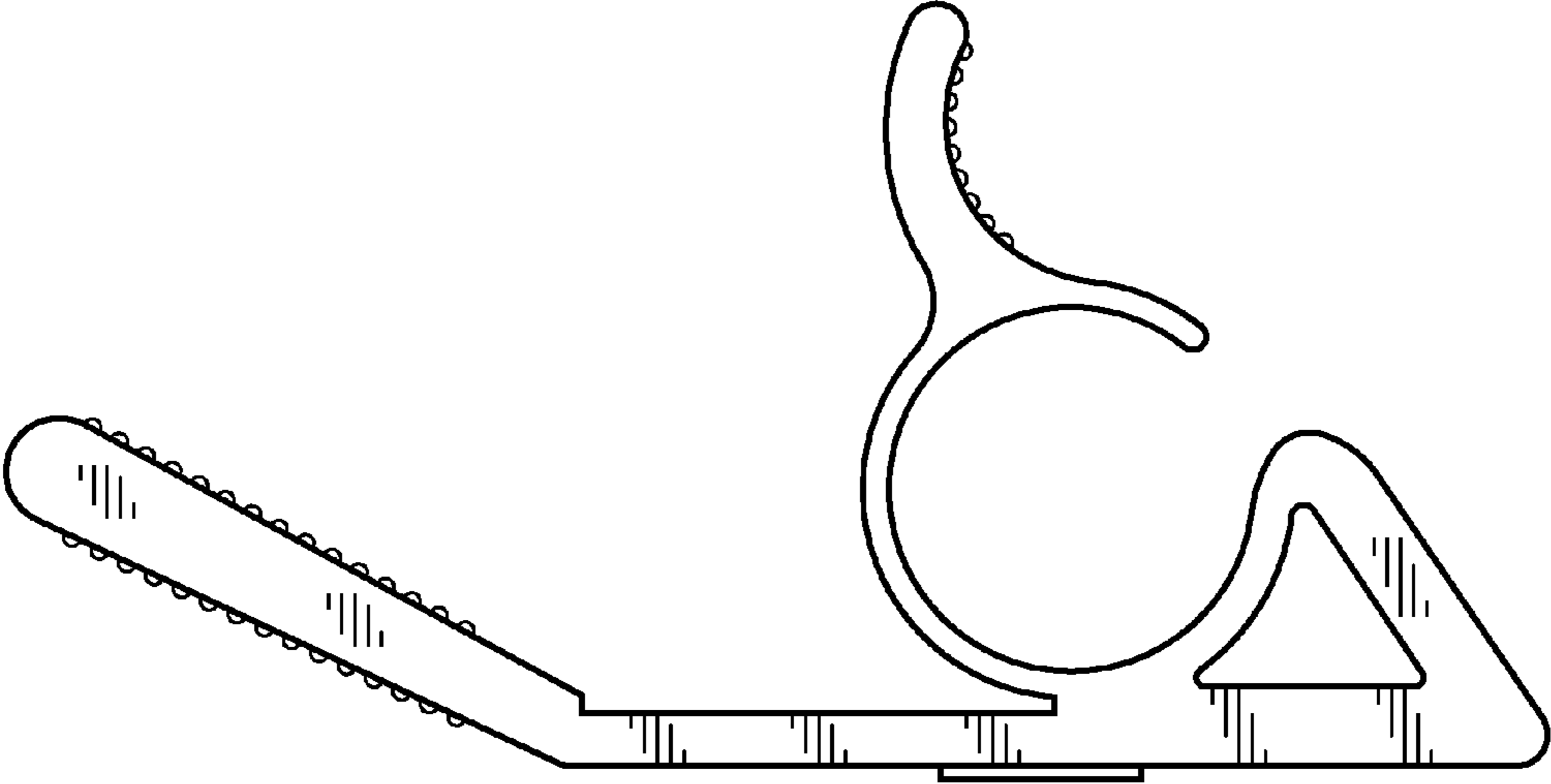


FIG. 2

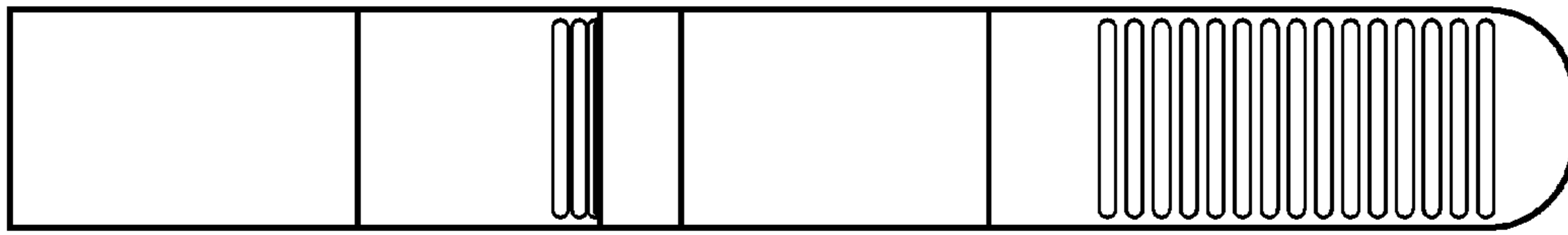


FIG. 3

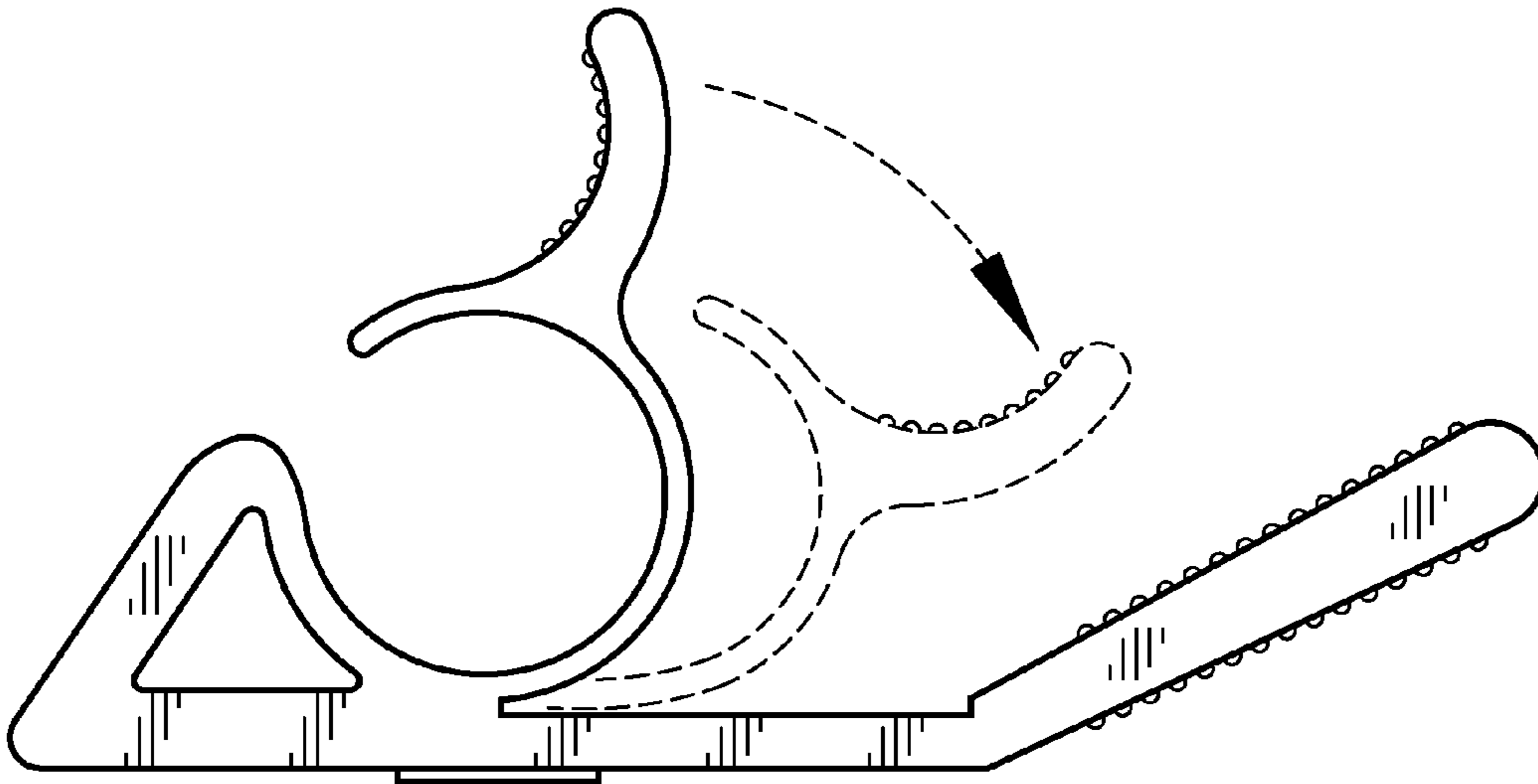


FIG. 4



FIG. 5

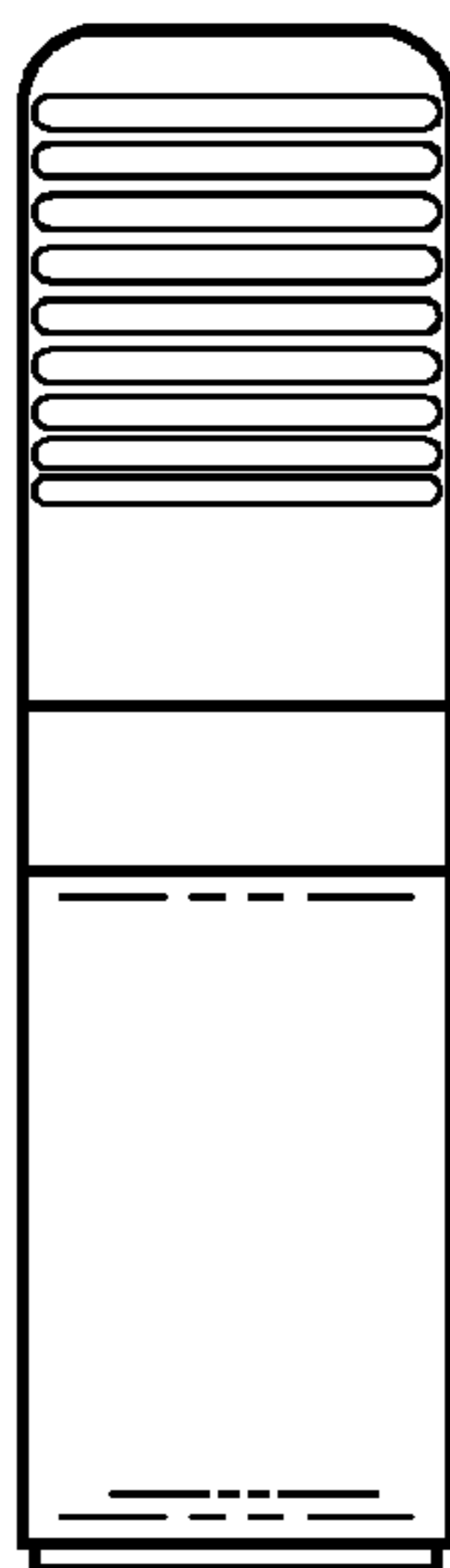


FIG. 6

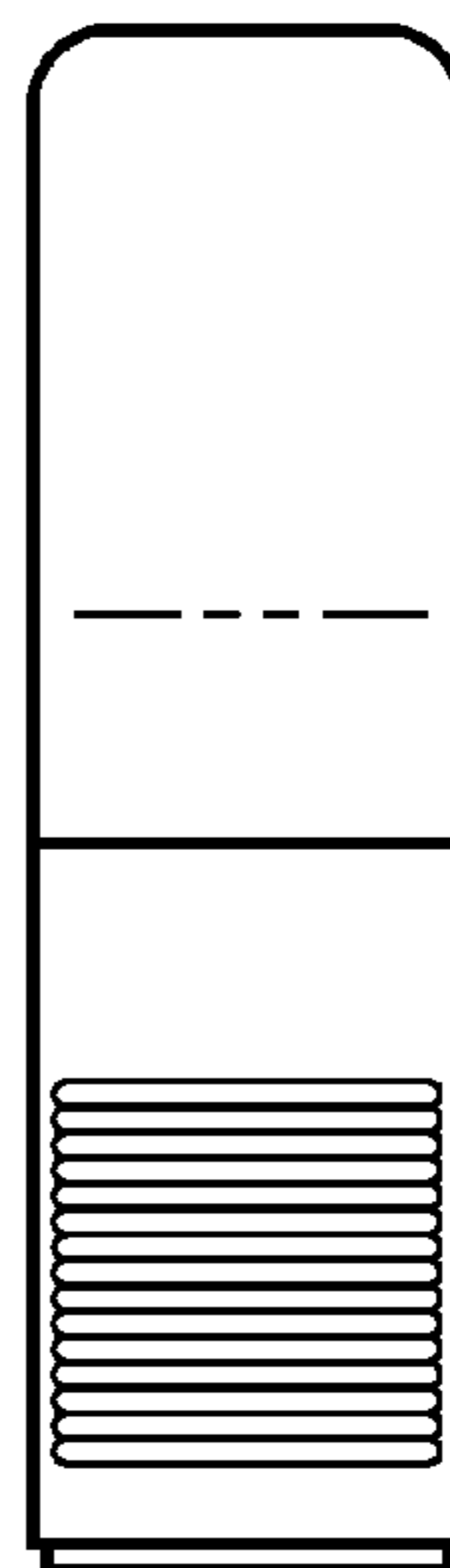


FIG. 7