



US00D626273S

(12) **United States Design Patent**
Verelst

(10) **Patent No.:** **US D626,273 S**
(45) **Date of Patent:** **** Oct. 26, 2010**

(54) **LUMINAIRE**

(75) Inventor: **Dirk Verelst**, Boechout (BE)

(73) Assignee: **Koninklijke Philips Electronics N.V.**,
Eindhoven (NL)

(**) Term: **14 Years**

(21) Appl. No.: **29/350,076**

(22) Filed: **Nov. 11, 2009**

(30) **Foreign Application Priority Data**

May 12, 2009 (EM) 001136675-0022

(51) **LOC (9) Cl.** **26-03**

(52) **U.S. Cl.** **D26/85**

(58) **Field of Classification Search** D26/83,
D26/85-92, 120; 362/147, 404-408, 431,
362/432

See application file for complete search history.

(56) **References Cited**

U.S. PATENT DOCUMENTS

- D120,772 S * 5/1940 Arenberg D26/120
- D298,059 S * 10/1988 Muller D26/86
- D319,319 S * 8/1991 Von Kluck D26/85
- D389,592 S * 1/1998 Reiser D26/36
- D484,633 S * 12/2003 Campagna D26/72

- D565,232 S * 3/2008 Butler D26/85
- D583,497 S * 12/2008 Miller et al. D26/85
- D584,444 S * 1/2009 Lipson D26/85
- D606,232 S * 12/2009 Sabernig D26/85
- D606,700 S * 12/2009 Sabernig D26/85

OTHER PUBLICATIONS

“Freeport” wall sconce from Kichler Lighting. Found at lightinguniverse.com, visited Sep. 14, 2009.*

“Beam” wall sconce from Edge Lighting. PDF created Feb. 26, 2009.*

* cited by examiner

Primary Examiner—Clare E Heflin

(57) **CLAIM**

The ornamental design for a luminaire, as shown.

DESCRIPTION

FIG. 1 is a perspective view showing my design;

FIG. 2 is a front elevational view thereof;

FIG. 3 is a rear elevational view thereof;

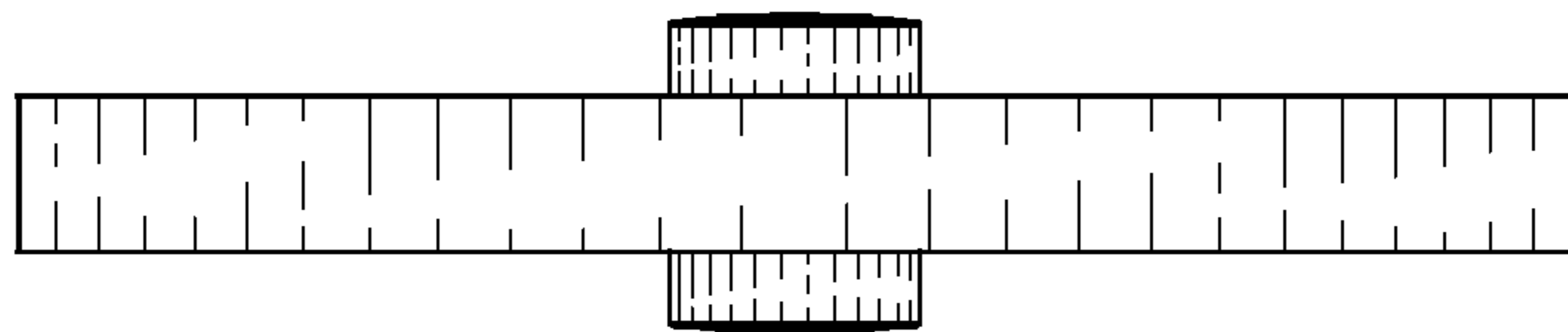
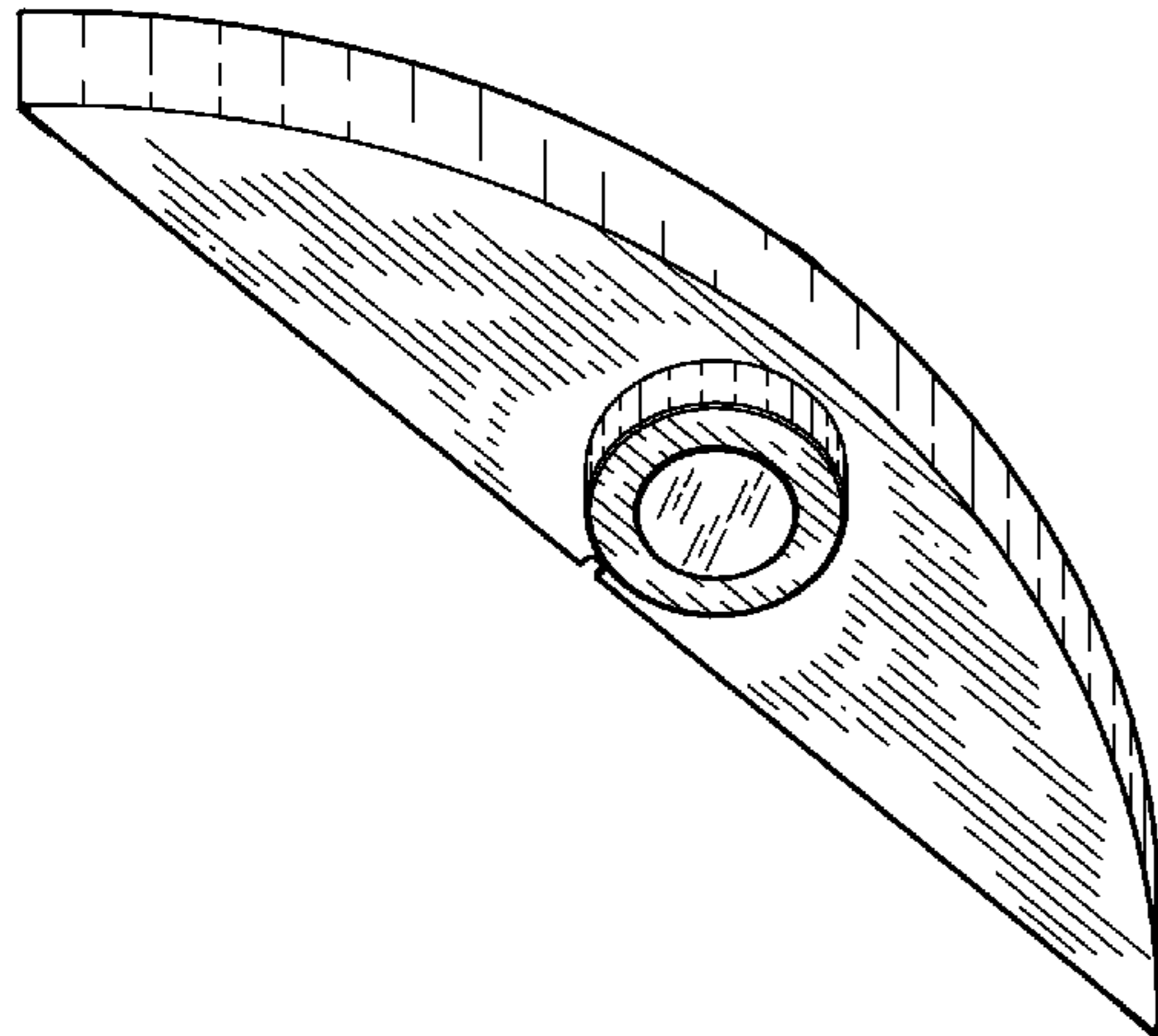
FIG. 4 is a right side elevational view thereof;

FIG. 5 is a left side elevational view thereof;

FIG. 6 is a top plan view thereof; and,

FIG. 7 is a bottom plan view thereof.

1 Claim, 3 Drawing Sheets



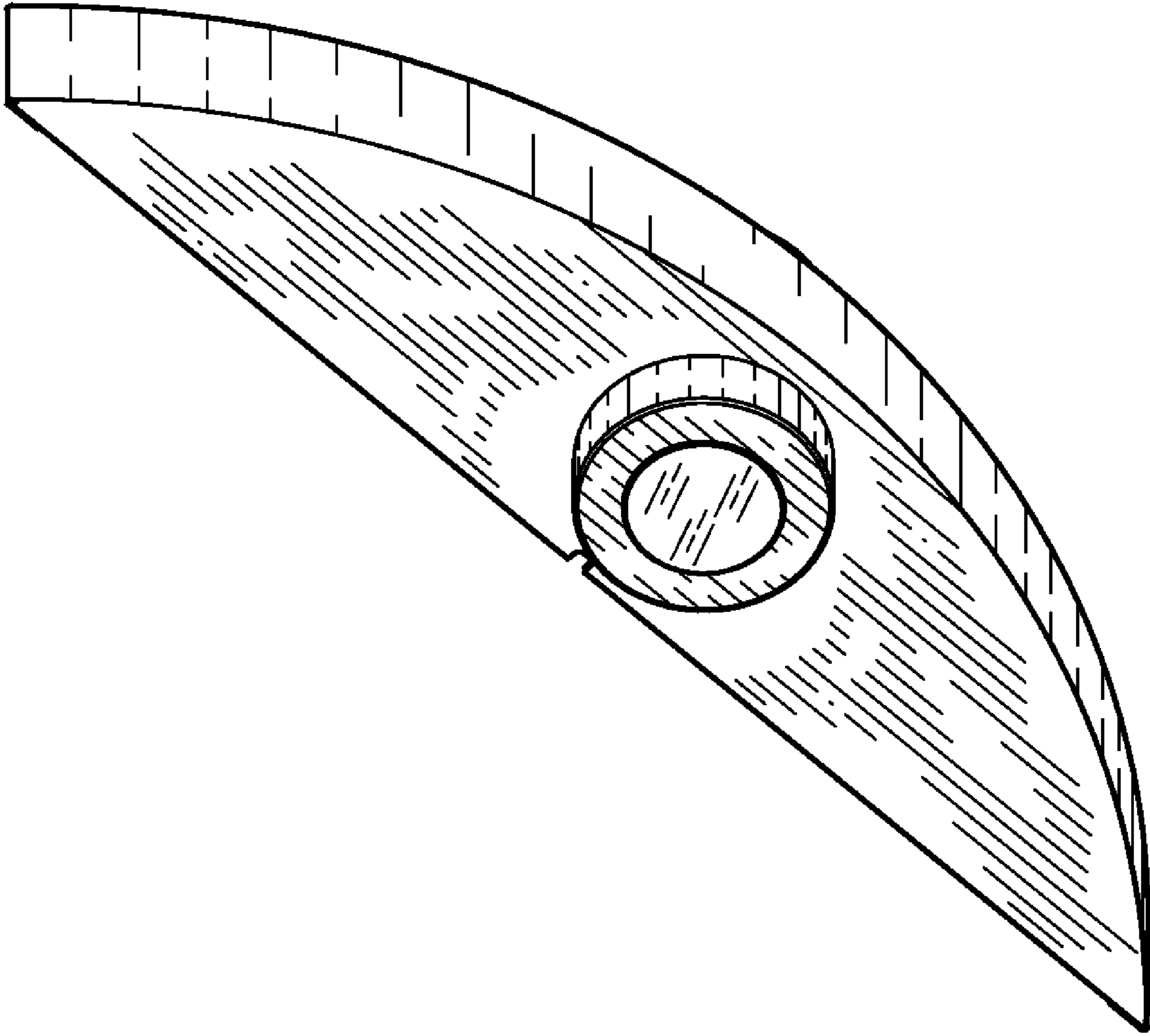


FIG. 1

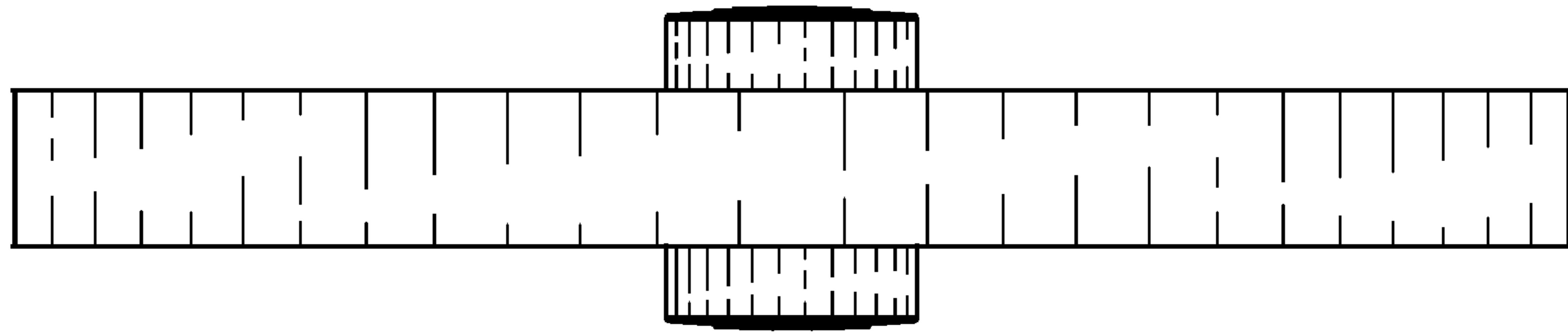


FIG. 2

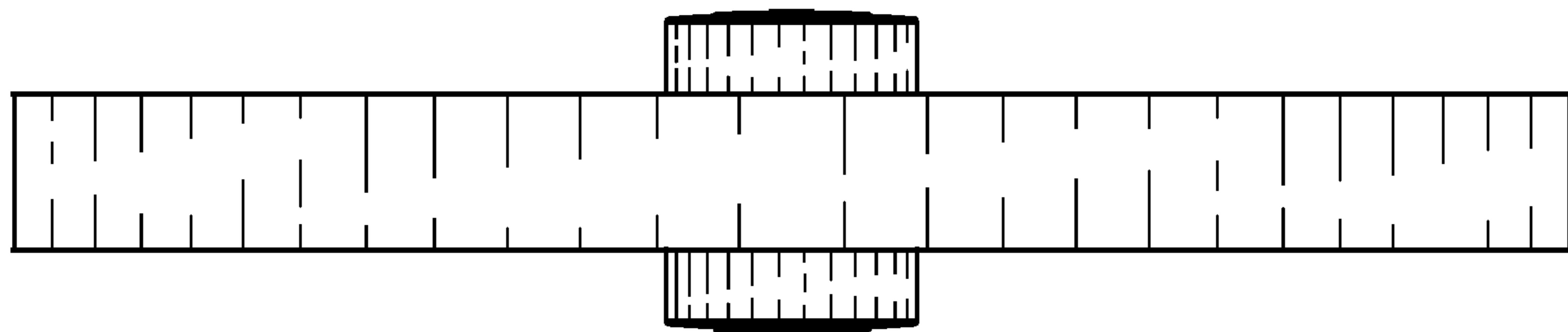


FIG. 3

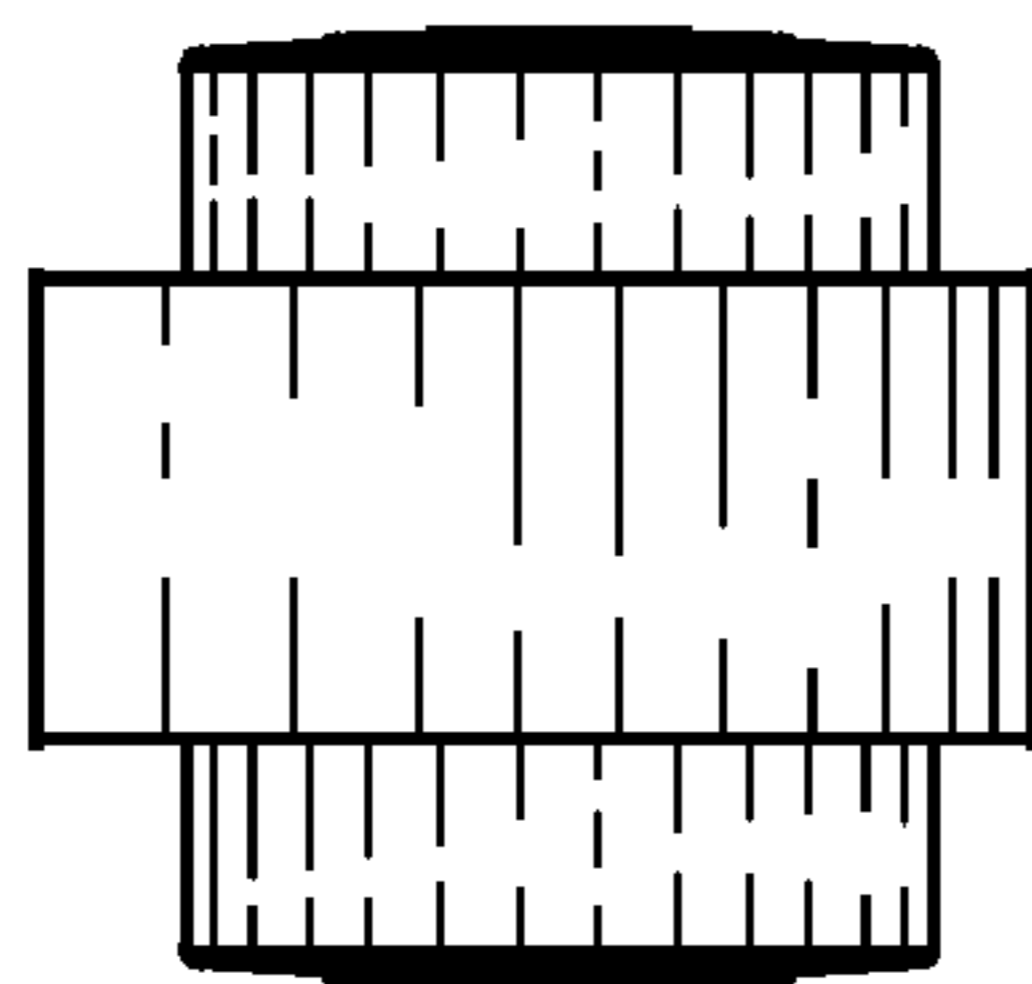


FIG. 4

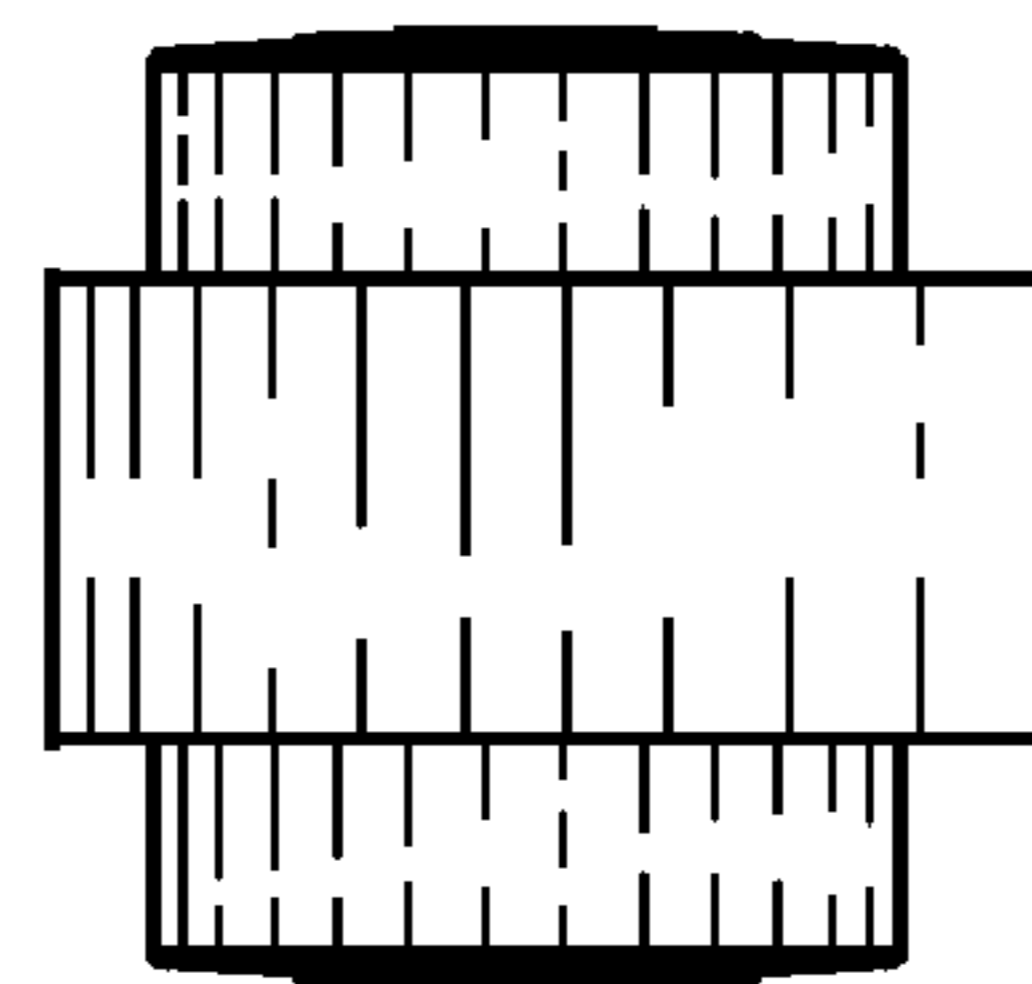


FIG. 5

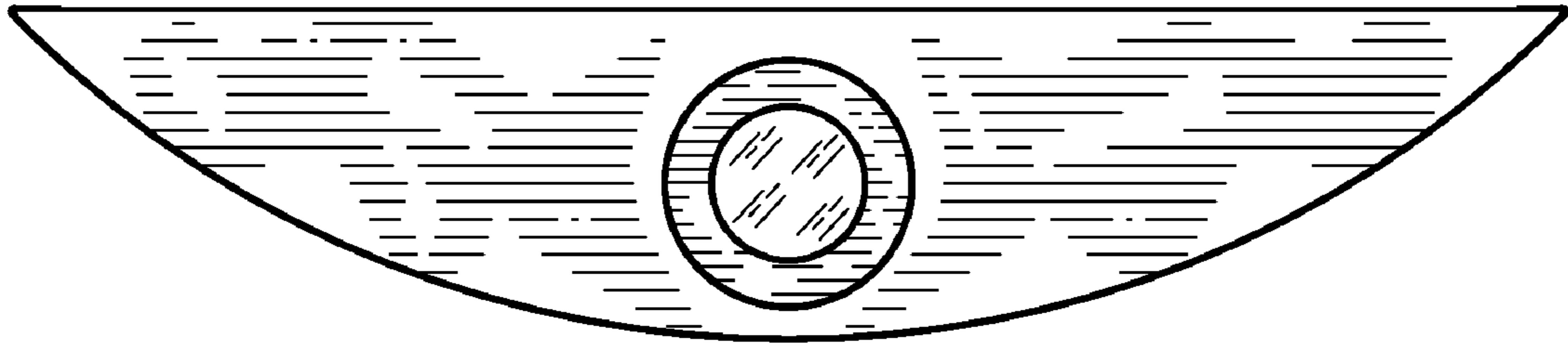


FIG. 6

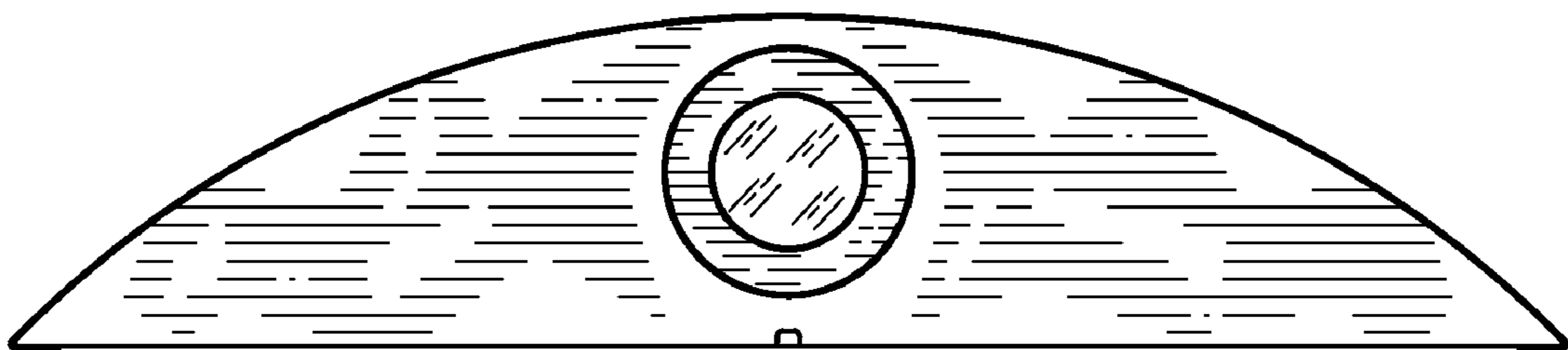


FIG. 7