



US00D626270S

(12) **United States Design Patent**  
**Waldmann**

(10) **Patent No.:** **US D626,270 S**

(45) **Date of Patent:** **\*\* Oct. 26, 2010**

(54) **LAMP**

(75) **Inventor:** **Gerhard Waldmann**, Stein am Rhein  
(CH)

(73) **Assignee:** **Herbert Waldmann GmbH & Co. KG**,  
Villingen-Schwenningen (DE)

(\*\*) **Term:** **14 Years**

(21) **Appl. No.:** **29/311,891**

(22) **Filed:** **Jul. 24, 2009**

(30) **Foreign Application Priority Data**

Jan. 27, 2009 (DE) ..... 40 2009 000 381

(51) **LOC (9) Cl.** ..... **26-03**

(52) **U.S. Cl.** ..... **D26/85**

(58) **Field of Classification Search** ..... D26/83,  
D26/85-92, 120; 362/147, 404-408, 431,  
362/432

See application file for complete search history.

(56) **References Cited**

**U.S. PATENT DOCUMENTS**

D31,762 S *	10/1899	Locke	.....	D25/103
D189,857 S *	3/1961	Lasker	.....	D26/85
D203,060 S *	11/1965	Schaefer	.....	D26/76
D213,391 S *	2/1969	Bruno	.....	D26/86
3,457,396 A *	7/1969	Mrsny	.....	362/485
D236,647 S *	9/1975	Stewart	.....	D26/85
D308,261 S *	5/1990	Shemitz	.....	D26/87
D394,518 S *	5/1998	Burrow	.....	D26/85
D456,928 S *	5/2002	Russello et al.	.....	D26/85
D465,593 S *	11/2002	Chang	.....	D26/72

D527,483 S *	8/2006	McCarthy, III	.....	D26/85
D565,232 S *	3/2008	Butler	.....	D26/85
D566,876 S *	4/2008	Allen et al.	.....	D26/85
D584,444 S *	1/2009	Lipson	.....	D26/85
D584,445 S *	1/2009	Guercio	.....	D26/85
D610,296 S *	2/2010	Boissevain et al.	.....	D26/85

**OTHER PUBLICATIONS**

Peerless Lighting models, Cerra Lightvent on p. 163; and Cerra wall on p. 165—both from the Acuity Brands Lighting Catalog © 2006.\*  
Lithonia lighting building-mounted fixture model WFL shown on p. 505 of the Acuity Brands Lighting Catalog © 2006.\*  
Lithonia Lighting corner fixture model VDC shown on p. 412 of the Acuity Brands Lighting Catalog © 2006.\*  
Rear cover of Acuity Brands Lighting Catalog © 2006.\*

\* cited by examiner

*Primary Examiner*—Clare E Heflin

(74) *Attorney, Agent, or Firm*—The Nath Law Group; Jerald L. Meyer; Derek Richmond

(57) **CLAIM**

The ornamental design for a lamp, as shown and described.

**DESCRIPTION**

FIG. 1 is a perspective view of a lamp;  
FIG. 2 is a left side view of the lamp;  
FIG. 3 is a front view of the lamp;  
FIG. 4 is a right side view of the lamp;  
FIG. 5 is a rear view of the lamp;  
FIG. 6 is an upper view of the lamp; and,  
FIG. 7 is a bottom view of the lamp.

**1 Claim, 7 Drawing Sheets**

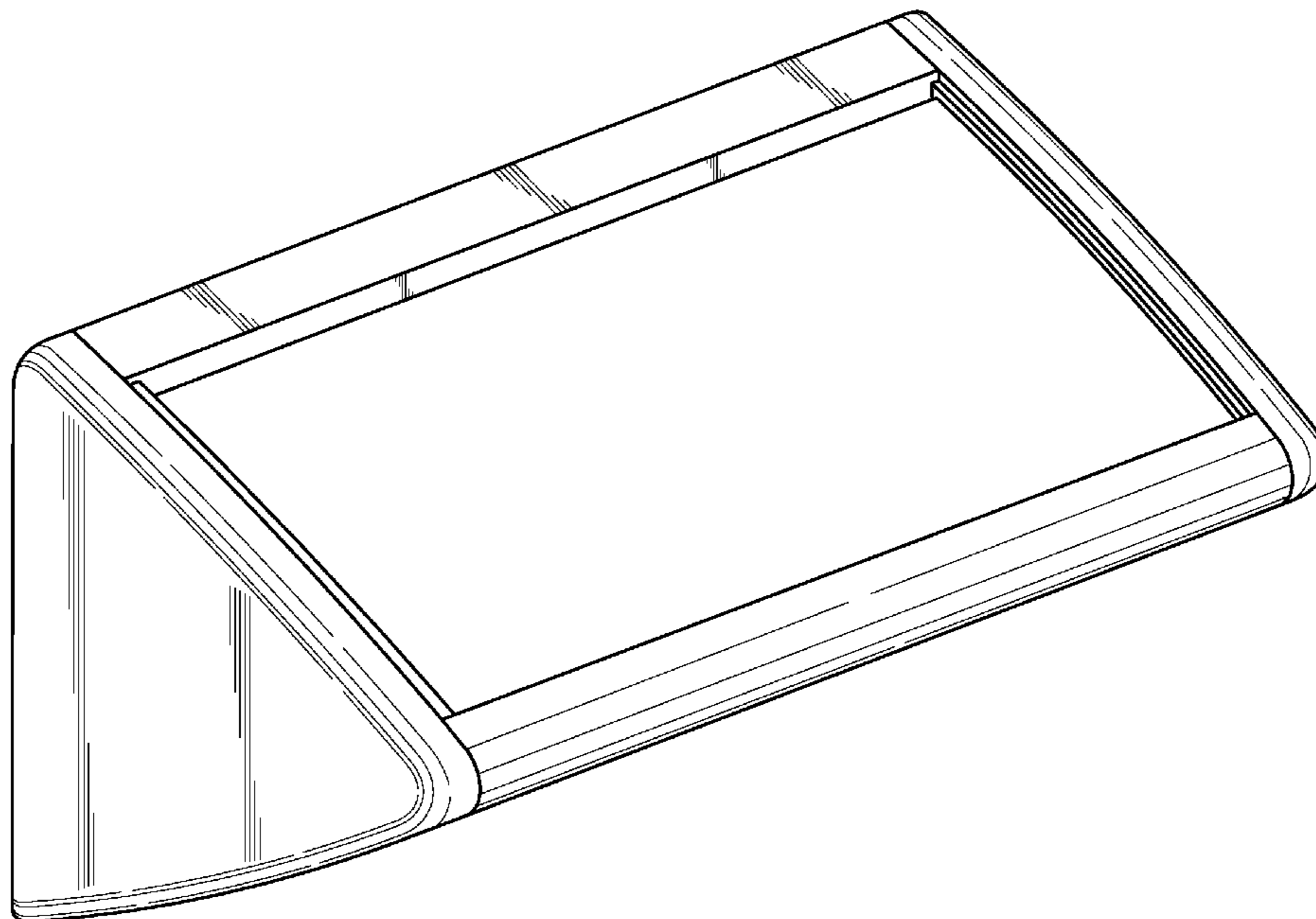


FIG. 1

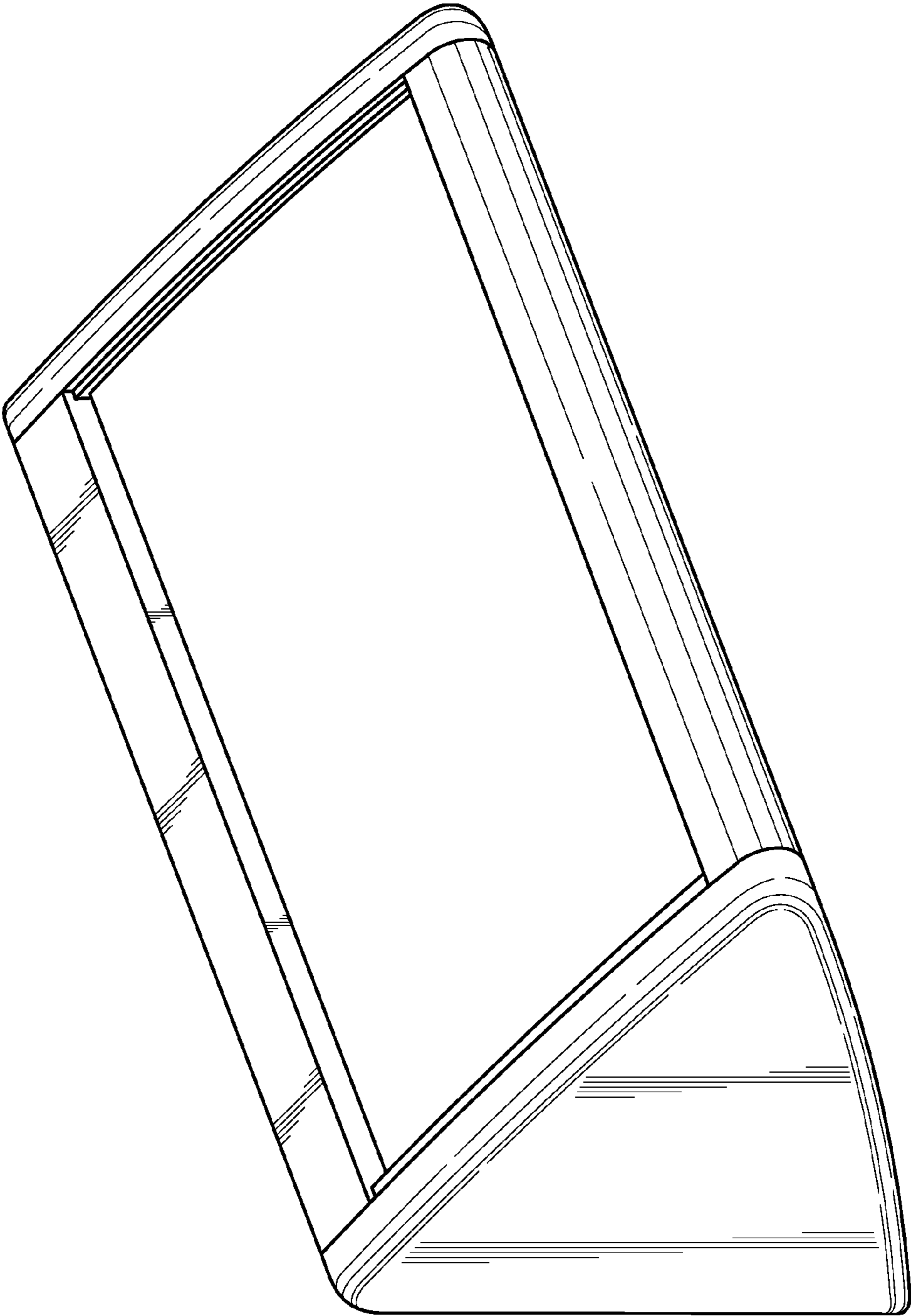


FIG. 2

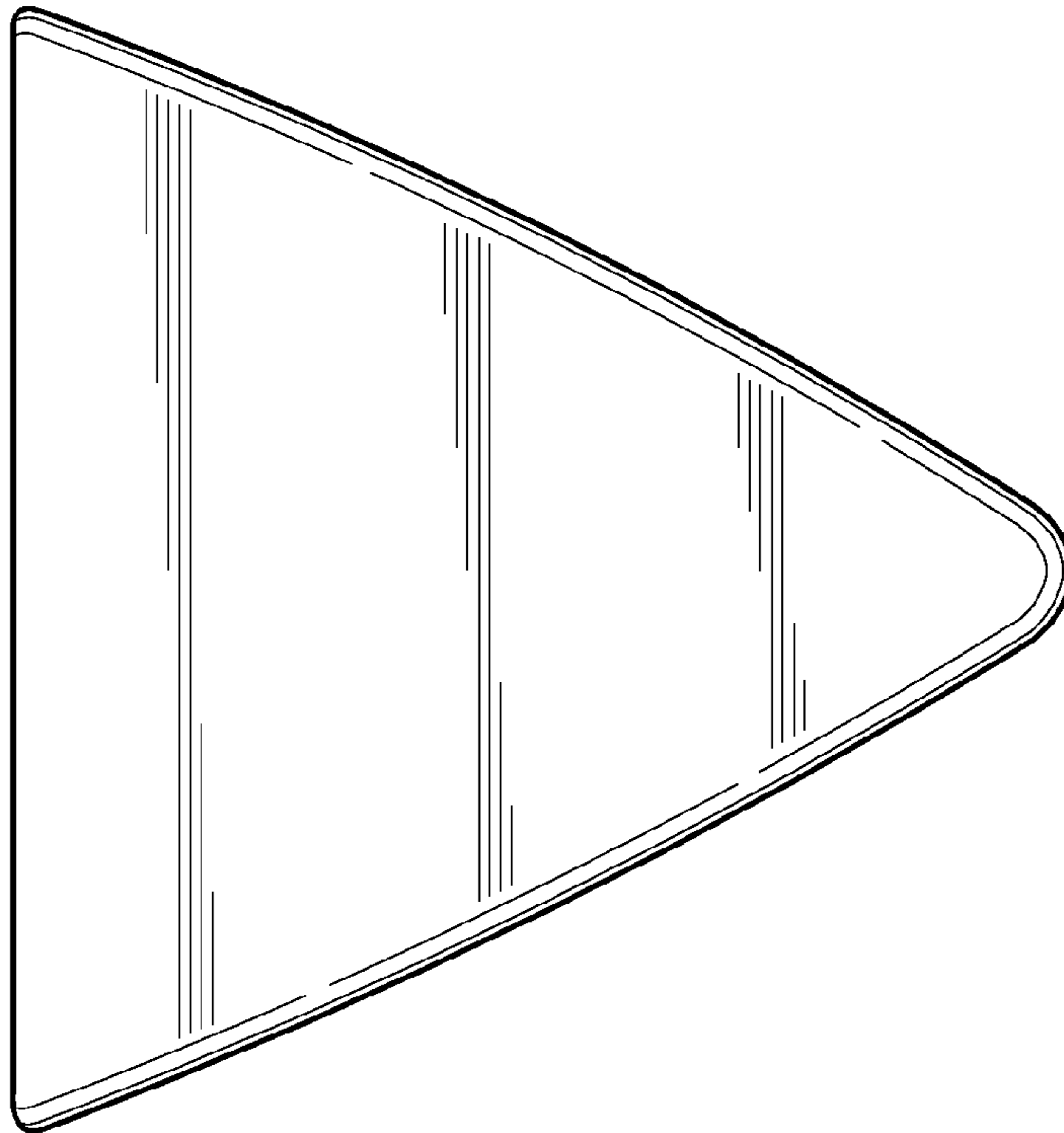


FIG. 3

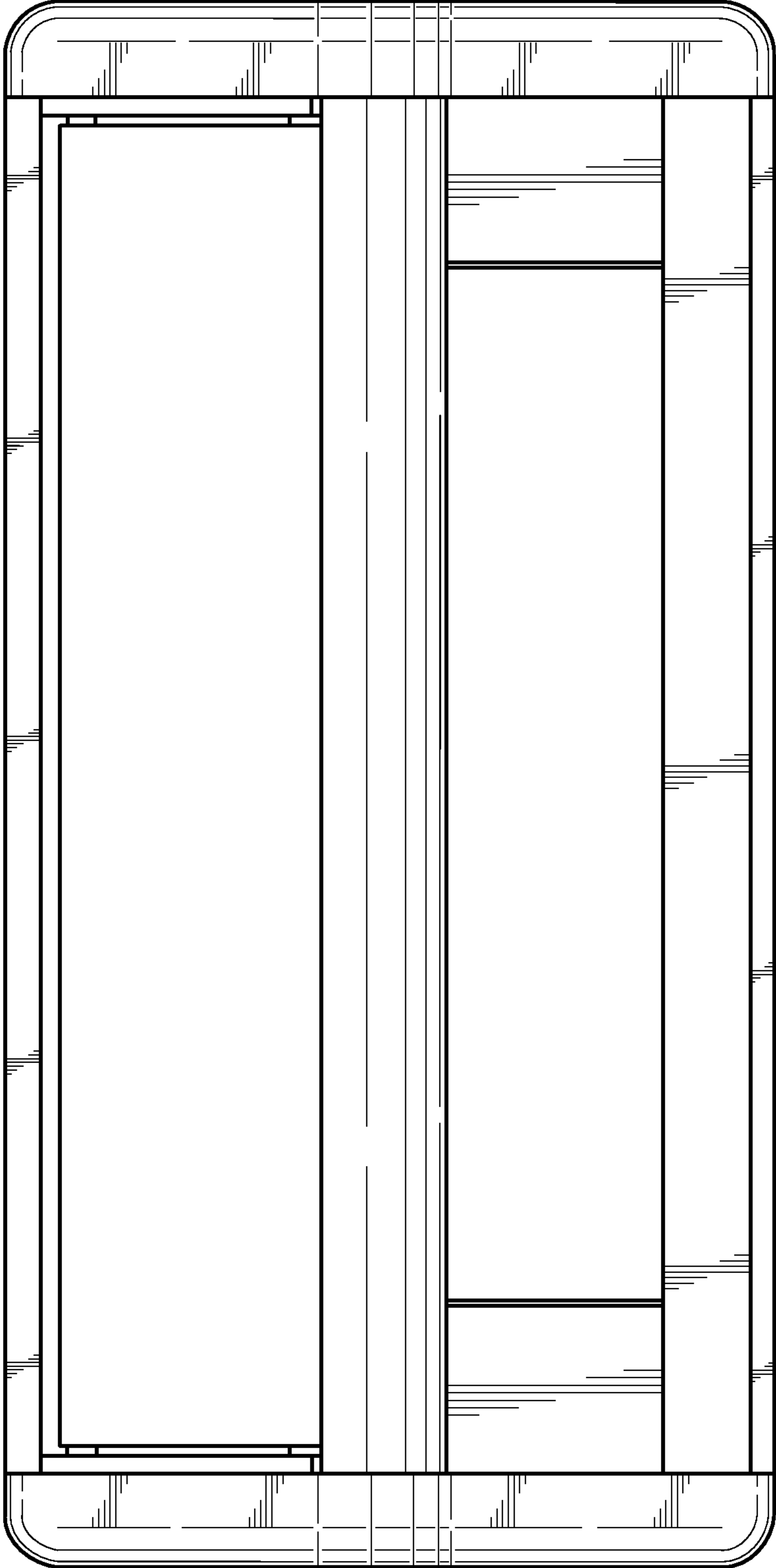


FIG. 4

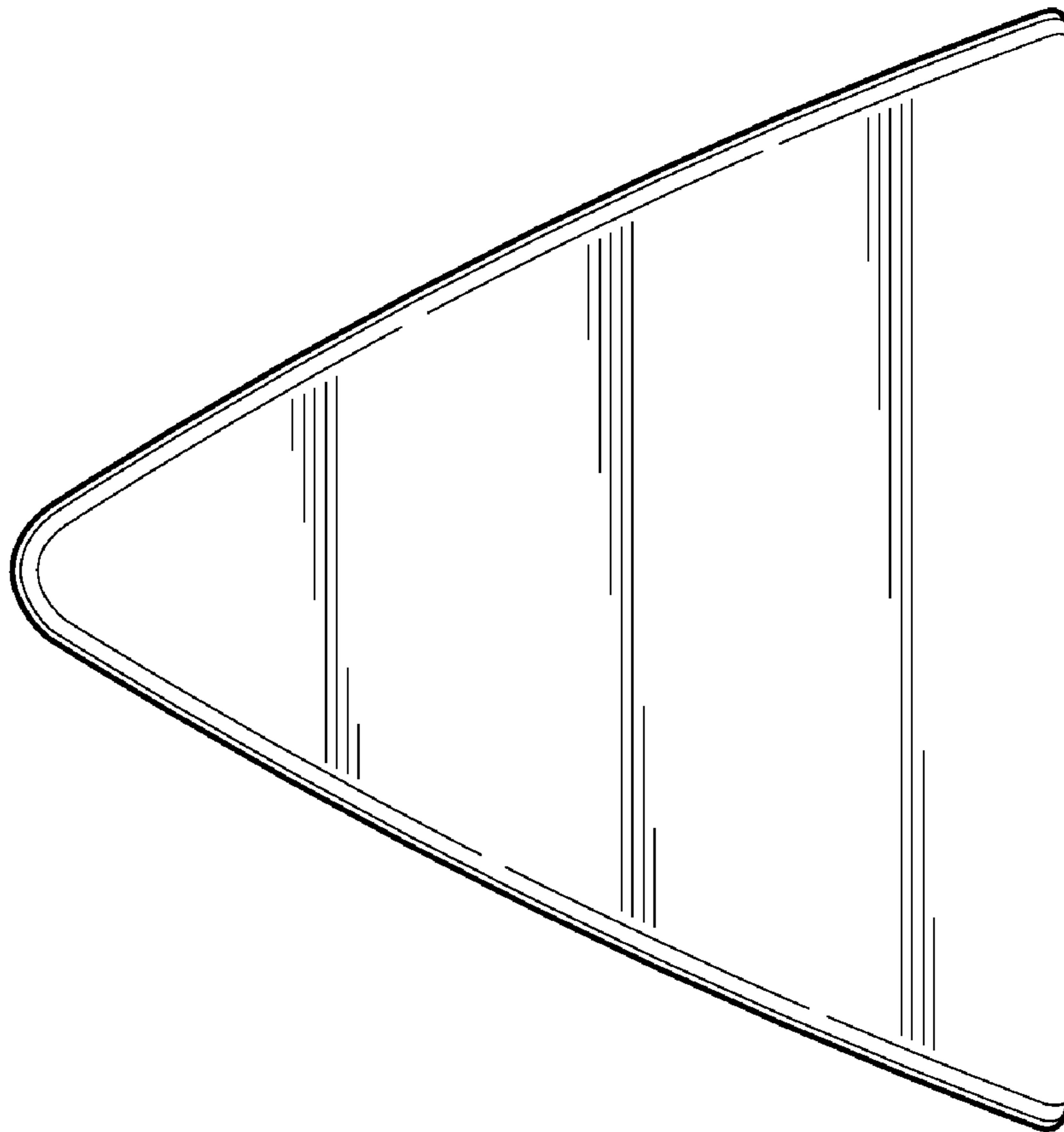


FIG. 5

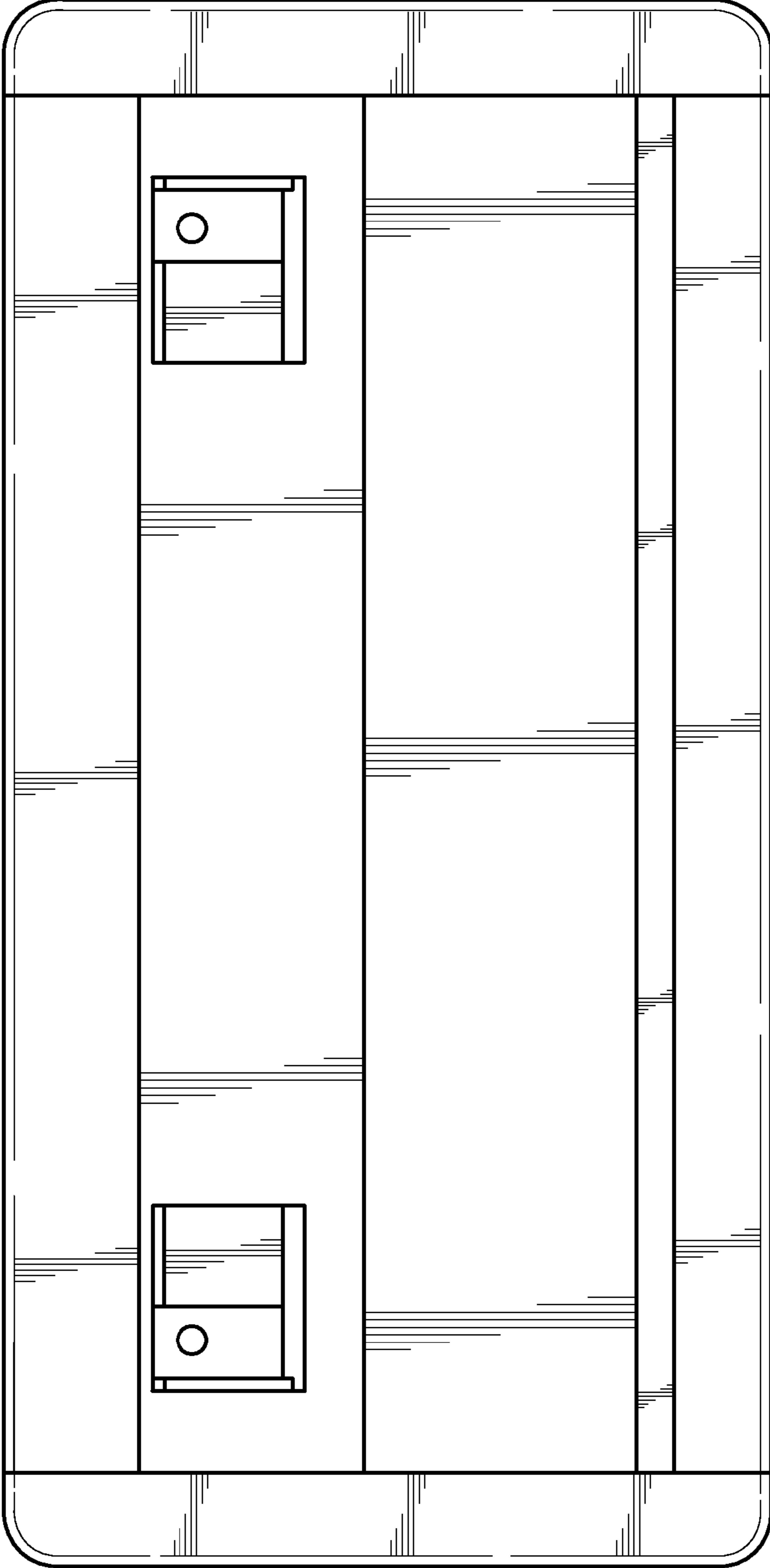


FIG. 6

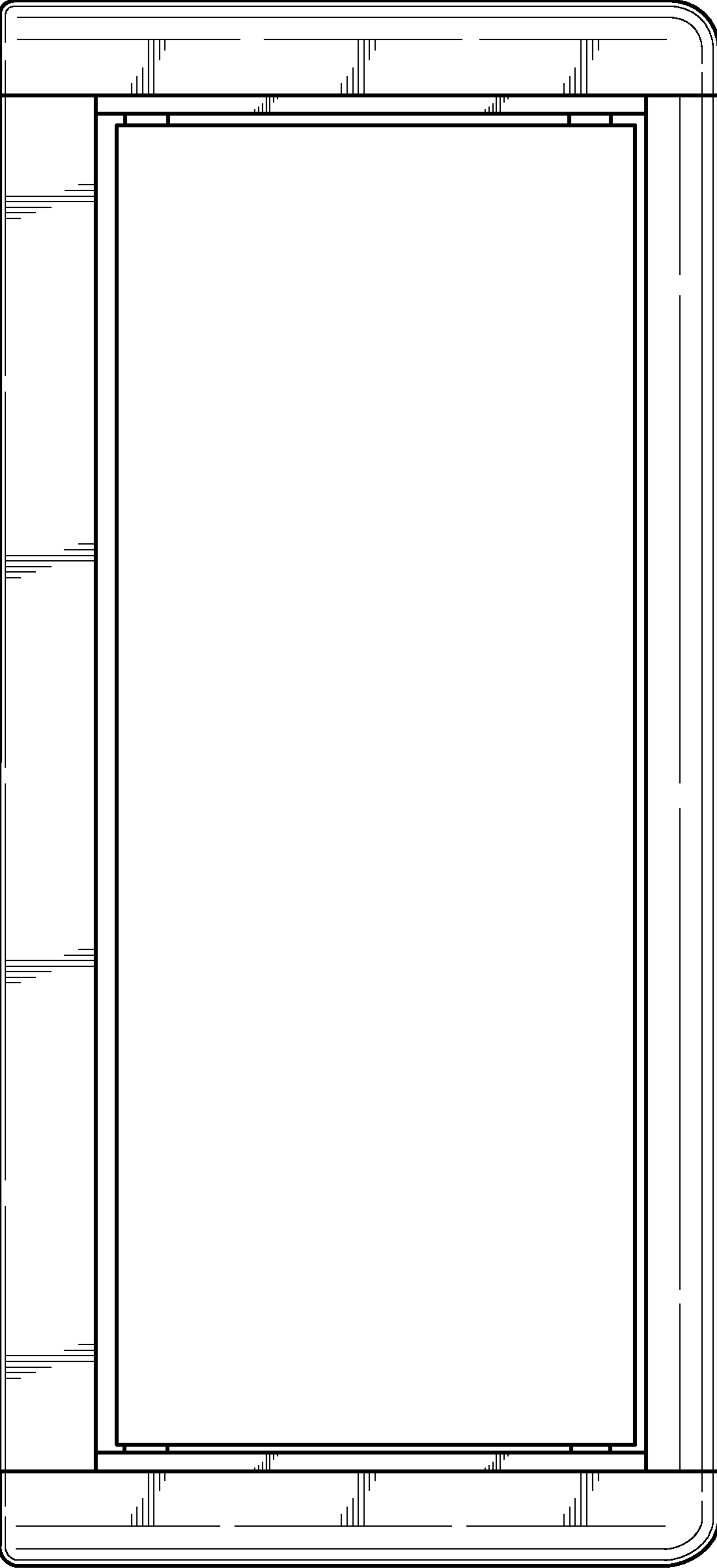


FIG. 7

