



US00D626268S

(12) **United States Design Patent**  
**Santoro**

(10) **Patent No.:** **US D626,268 S**

(45) **Date of Patent:** **\*\* \*Oct. 26, 2010**

(54) **LUMINAIRE**

(75) Inventor: **Scott R. Santoro**, Delta (CA)

(73) Assignee: **Koninklijke Philips Electronics, N.V.**,  
Eindhoven (NL)

(\*) Notice: This patent is subject to a terminal disclaimer.

(\*\*) Term: **14 Years**

(21) Appl. No.: **29/331,183**

(22) Filed: **Jan. 21, 2009**

**Related U.S. Application Data**

(62) Division of application No. 29/295,725, filed on Oct. 4, 2007, now abandoned.

(30) **Foreign Application Priority Data**

Apr. 5, 2007 (EM) ..... 000702642

(51) **LOC (9) Cl.** ..... **26-03**

(52) **U.S. Cl.** ..... **D26/76**

(58) **Field of Classification Search** ..... D26/3,  
D26/24, 61, 72, 74-77, 81-83, 85, 88-89,  
D26/118, 120; 362/147, 224-225, 132, 260-263,  
362/267, 283, 337, 347, 364; 43/113; D23/372,  
D23/328, 385; D14/209; 52/98

See application file for complete search history.

(56) **References Cited**

**U.S. PATENT DOCUMENTS**

D143,350 S \* 12/1945 Polotaye ..... D26/76

D168,974 S *	3/1953	Spaulding	.....	D26/76
D190,596 S *	6/1961	Franck et al.	.....	D26/76
D192,646 S *	4/1962	Pascucci et al.	.....	D26/76
3,109,599 A *	11/1963	Franck et al.	.....	362/218
D208,572 S *	9/1967	Wakefield	.....	D26/76
D348,533 S *	7/1994	Herst et al.	.....	D26/85
D429,357 S *	8/2000	Grimm	.....	D26/76
D446,333 S *	8/2001	Frois	.....	D26/76
D477,891 S *	7/2003	Fritze et al.	.....	D26/74
D483,510 S *	12/2003	Fritze et al.	.....	D26/75
D503,821 S *	4/2005	Waldmann	.....	D26/78
D572,858 S *	7/2008	Santoro	.....	D26/74
D579,598 S *	10/2008	Santoro	.....	D26/76
D587,834 S *	3/2009	Moritz	.....	D26/76

\* cited by examiner

*Primary Examiner*—Philip S Hyder

*Assistant Examiner*—Susan E Krakower

(74) *Attorney, Agent, or Firm*—John Salazar; Scott Higdon;  
Middleton Reutlinger

(57) **CLAIM**

The ornamental design for a luminaire, as shown and described.

**DESCRIPTION**

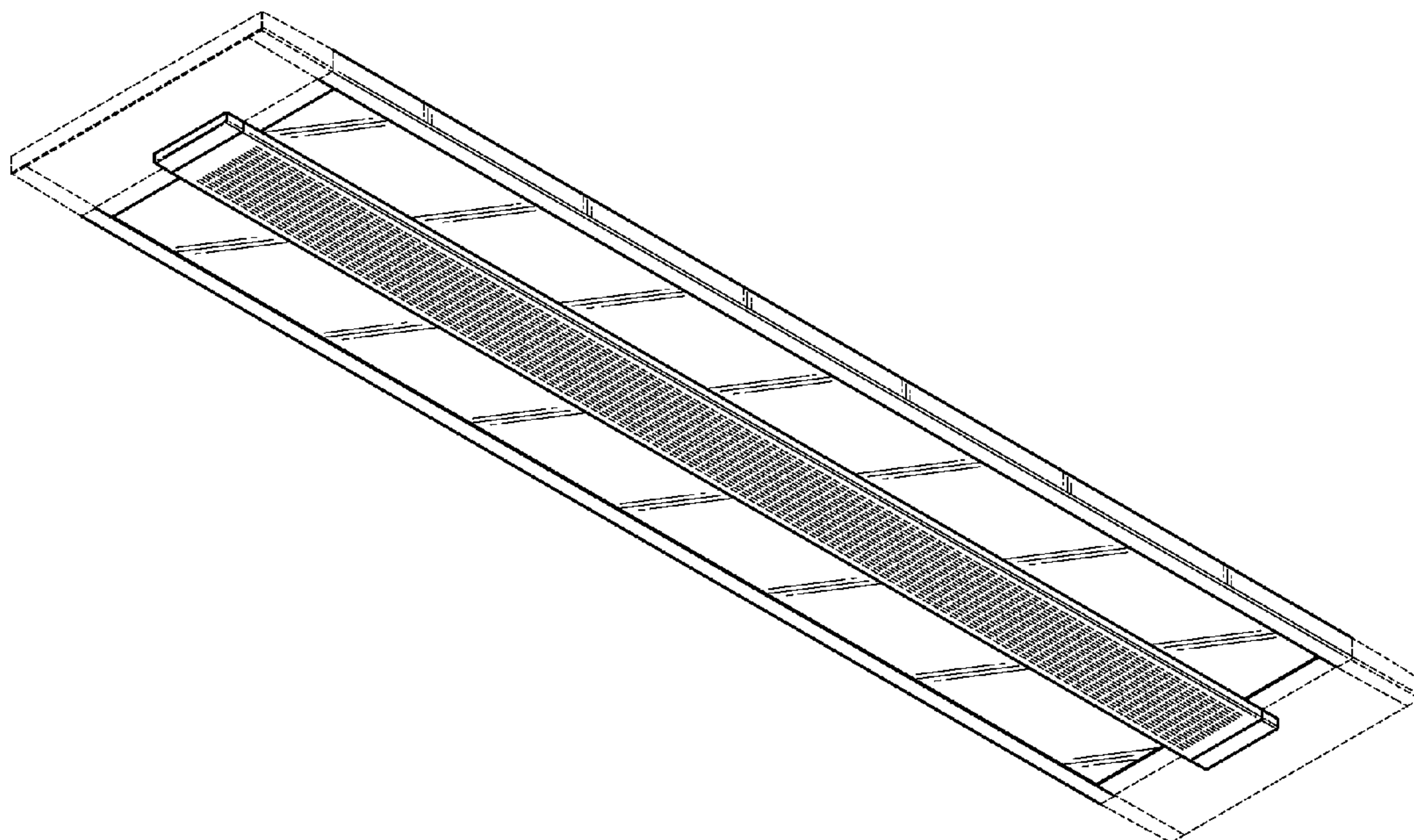
FIG. 1 is a lower perspective view of the luminaire of the present invention; and,

FIG. 2 is a bottom view of the design of the present invention.

The top and sides of the luminaire are unornamented. Therefore, the top and sides of the luminaire form no part of the claimed design and these views have been omitted.

The broken lines illustrate portions of the luminaire which form no part of the claimed design.

**1 Claim, 2 Drawing Sheets**



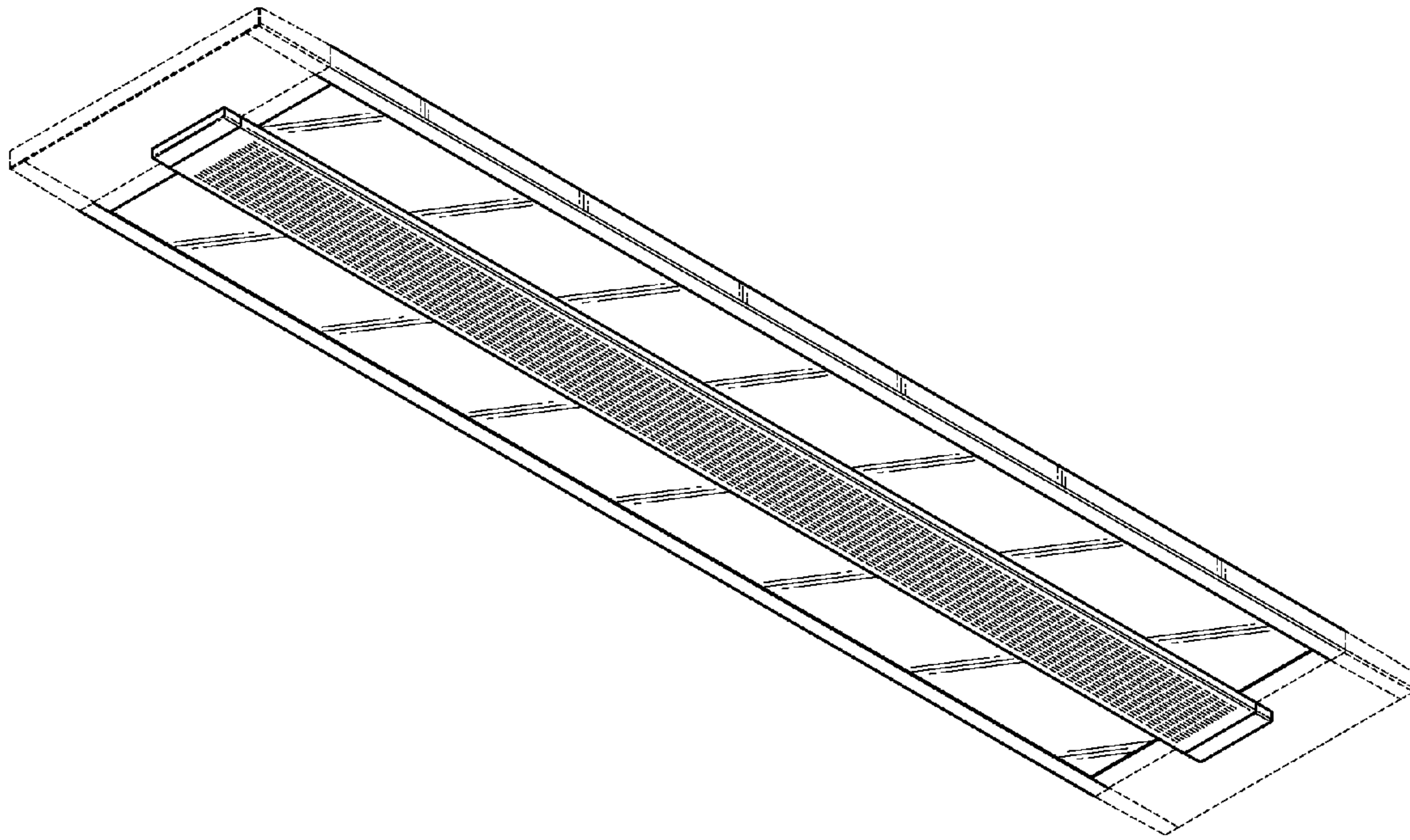


FIG. 1

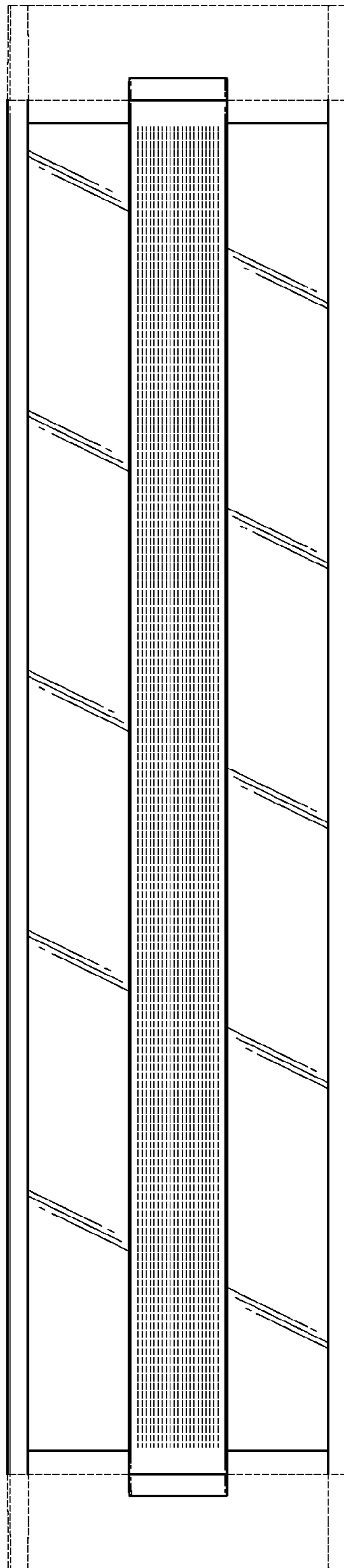


FIG. 2