



US00D626267S

(12) **United States Design Patent**  
**Ng**

(10) **Patent No.:** **US D626,267 S**  
(45) **Date of Patent:** **\*\* Oct. 26, 2010**

(54) **UNDER CABINET LED LIGHT**

(76) **Inventor:** **Edmund Ng**, 2570 Corporate Pl., Suite E101, Monterey Park, CA (US) 91754

(\*\*) **Term:** **14 Years**

(21) **Appl. No.:** **29/315,987**

(22) **Filed:** **Aug. 13, 2009**

(51) **LOC (9) Cl.** ..... **26-03**

(52) **U.S. Cl.** ..... **D26/76**

(58) **Field of Classification Search** ..... D26/72,  
D26/74, 75, 76, 77, 78, 79, 80, 81, 82, 83,  
D26/84, 85, 86, 88, 89, 90, 91, 1, 2, 3, 24,  
D26/56; D13/180, 182; 362/555, 576, 147,  
362/150, 217.01, 219, 217.02, 217.03, 217.04,  
362/217.05, 217.08, 217.09, 260, 364, 365,  
362/366, 404, 800

See application file for complete search history.

(56) **References Cited**

**U.S. PATENT DOCUMENTS**

D166,034 S *	2/1952	Gray	.....	D26/85
D374,736 S *	10/1996	DeWinter	.....	D26/72
D380,058 S *	6/1997	Kane et al.	.....	D26/27
D424,720 S *	5/2000	Nichols, Jr.	.....	D26/25
D487,527 S *	3/2004	Sieczkowski	.....	D26/76
D498,018 S *	11/2004	Sieczkowski	.....	D26/118
D563,012 S *	2/2008	Citterio et al.	.....	D26/63
D572,400 S *	7/2008	Benensohn	.....	D26/76
D580,087 S *	11/2008	Couture et al.	.....	D26/76

D603,549 S *	11/2009	Ng	.....	D26/80
D605,787 S *	12/2009	Barton et al.	.....	D26/3
D606,229 S *	12/2009	Johansen et al.	.....	D26/80

\* cited by examiner

*Primary Examiner*—Angela J Lee

(57) **CLAIM**

The ornamental design for a under cabinet LED light, as shown and described.

**DESCRIPTION**

FIG. 1 is a perspective view of a under cabinet LED light showing my new design;

FIG. 2 is a top view thereof;

FIG. 3 is a bottom view thereof;

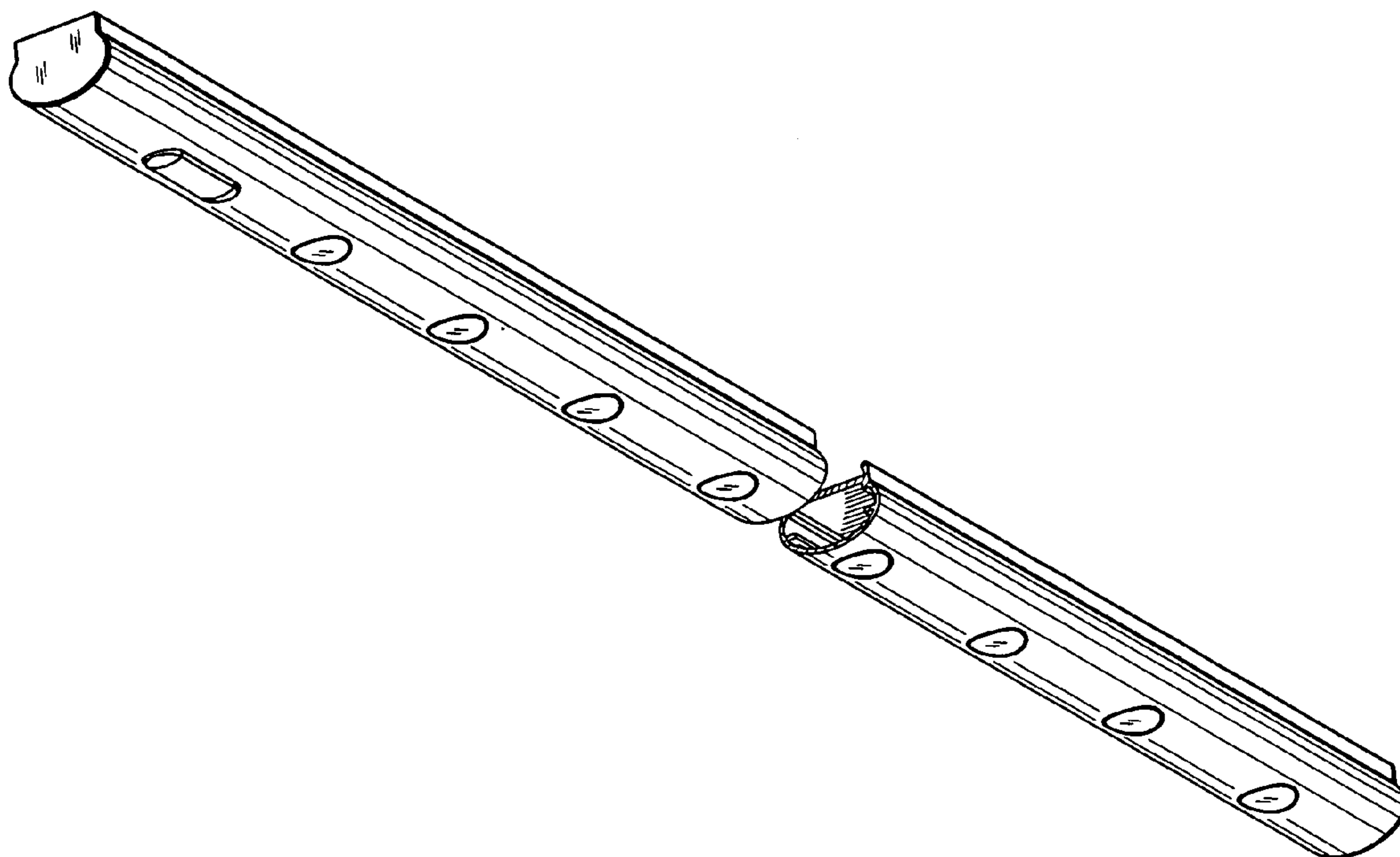
FIG. 4 is a cross-sectional view taken along lines 4—4 of FIG. 3;

FIG. 5 is a left side view thereof, the left side view being a mirror image of the right side view;

FIG. 6 is a front side view thereof, the rear side view being a mirror image of the front side view;

The under cabinet LED light has been broken away in the middle of FIGS. 1, 2, 3 and 6 of the drawing to indicate that no particular length is claimed. The portions of the under cabinet LED light shown in broken lines forms no part of the claimed design.

**1 Claim, 5 Drawing Sheets**



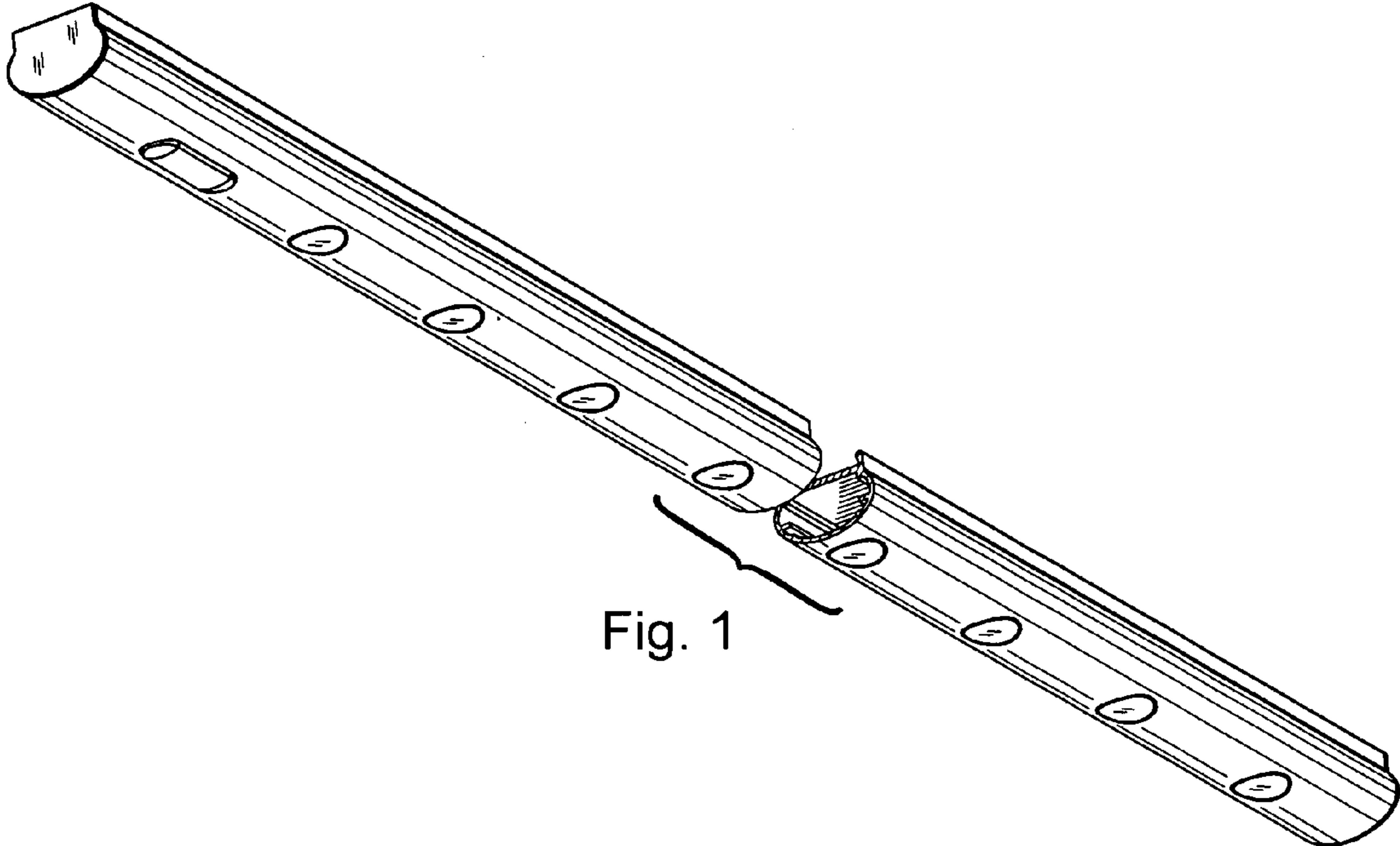


Fig. 1

Fig. 2

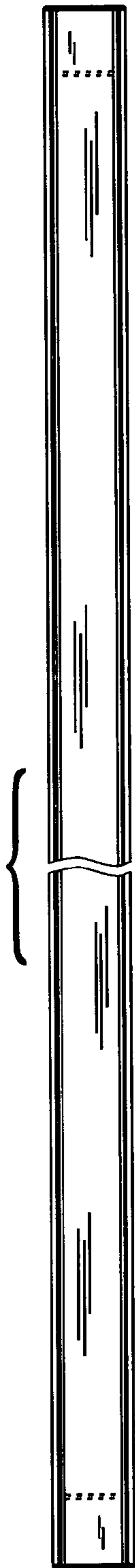
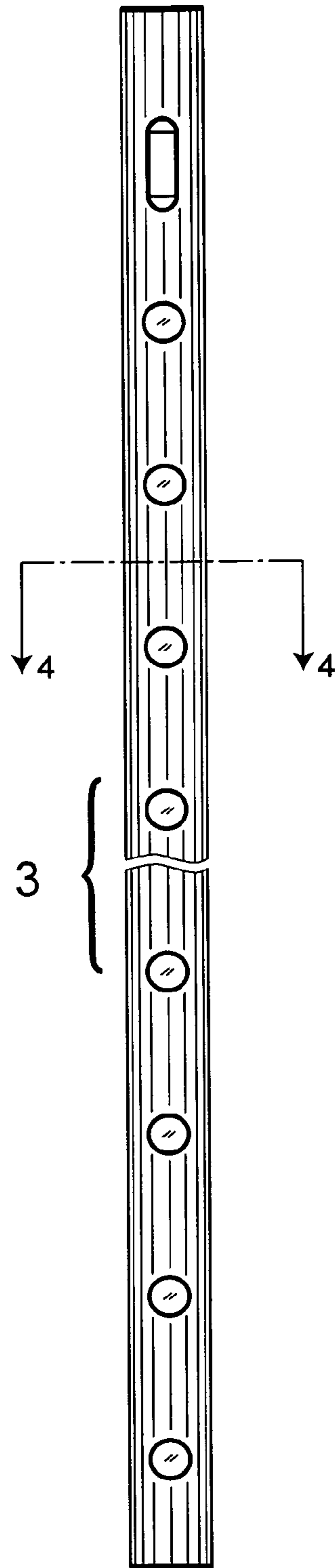


Fig. 3



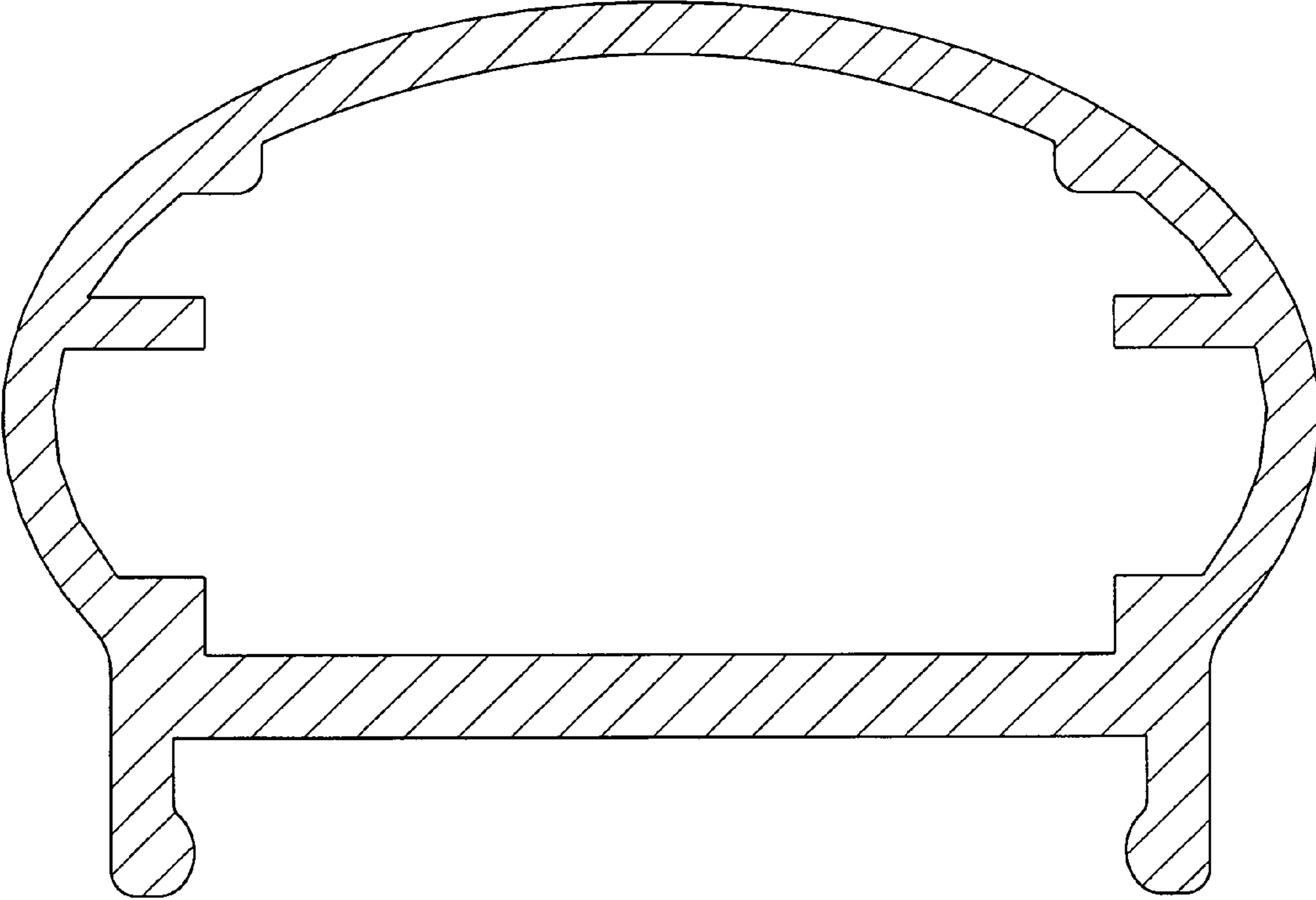


Fig. 4

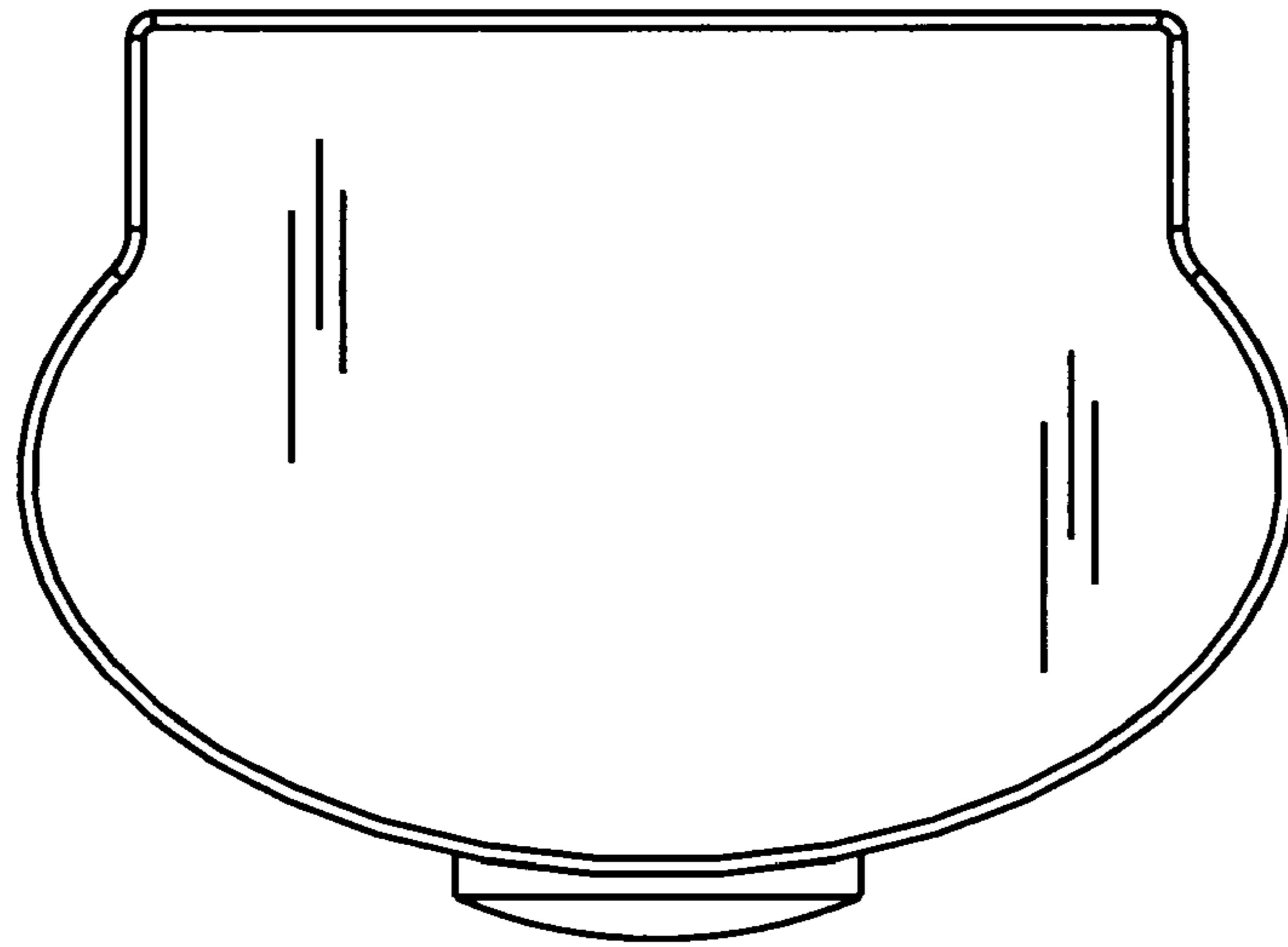


Fig. 5

Fig. 6

