



US00D626265S

(12) **United States Design Patent**  
**Liu**

(10) **Patent No.:** **US D626,265 S**  
(45) **Date of Patent:** **\*\* Oct. 26, 2010**

(54) **ILLUMINATING APPARATUS**

(75) Inventor: **Yu-Pin Liu, Miao-Li Hsien (TW)**

(73) Assignee: **Foxsemicon Integrated Technology, Inc., Chu-Nan, Miao-Li Hsien (TW)**

(\*\*) Term: **14 Years**

(21) Appl. No.: **29/346,991**

(22) Filed: **Nov. 10, 2009**

(30) **Foreign Application Priority Data**

Aug. 14, 2009 (JP) ..... 2009 3 0311840

(51) **LOC (9) Cl.** ..... **26-05**

(52) **U.S. Cl.** ..... **D26/61**

(58) **Field of Classification Search** ..... D26/61-66,  
D26/1, 71, 68, 80; 362/133, 147, 217.01-217.16,  
362/221-225, 800

See application file for complete search history.

(56) **References Cited**

**U.S. PATENT DOCUMENTS**

D537,186 S \* 2/2007 Weddell ..... D26/80

D580,577 S \* 11/2008 Wang et al. .... D26/63  
D581,080 S \* 11/2008 Mier-Langner ..... D26/72  
D585,152 S \* 1/2009 Levine ..... D26/76  
D603,545 S \* 11/2009 Levine ..... D26/63

\* cited by examiner

*Primary Examiner*—Mitchell I Siegel

(74) *Attorney, Agent, or Firm*—Clifford O. Chi

(57) **CLAIM**

The ornamental design for an illuminating apparatus, as shown.

**DESCRIPTION**

FIG. 1 is a perspective view of an illuminating apparatus in one operational state.

FIG. 2 is a front elevational view thereof.

FIG. 3 is a rear elevational view thereof.

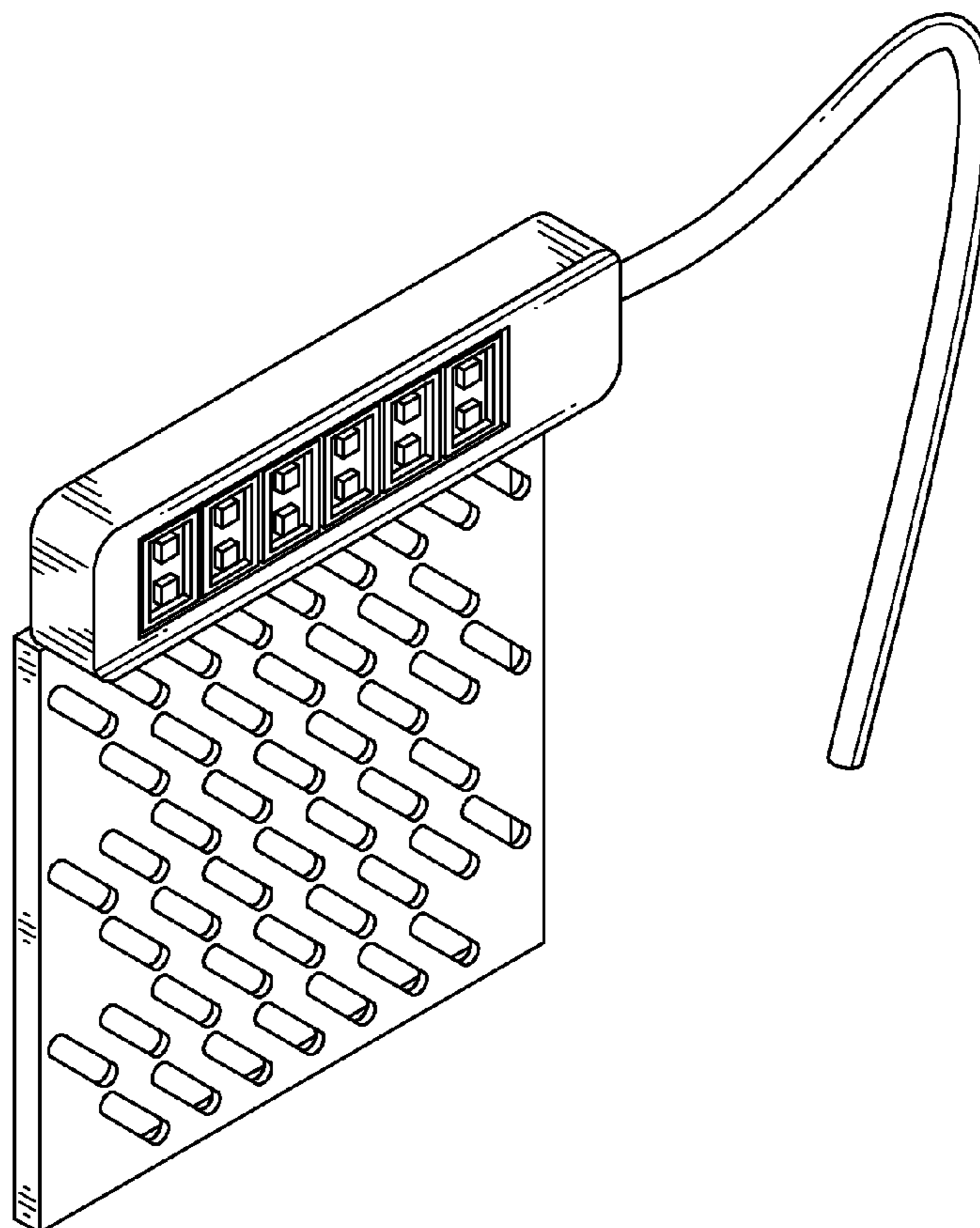
FIG. 4 is a left-side, elevational view thereof.

FIG. 5 is a right-side, elevational view thereof.

FIG. 6 is a top plan view thereof; and,

FIG. 7 is a bottom plan view thereof.

**1 Claim, 7 Drawing Sheets**



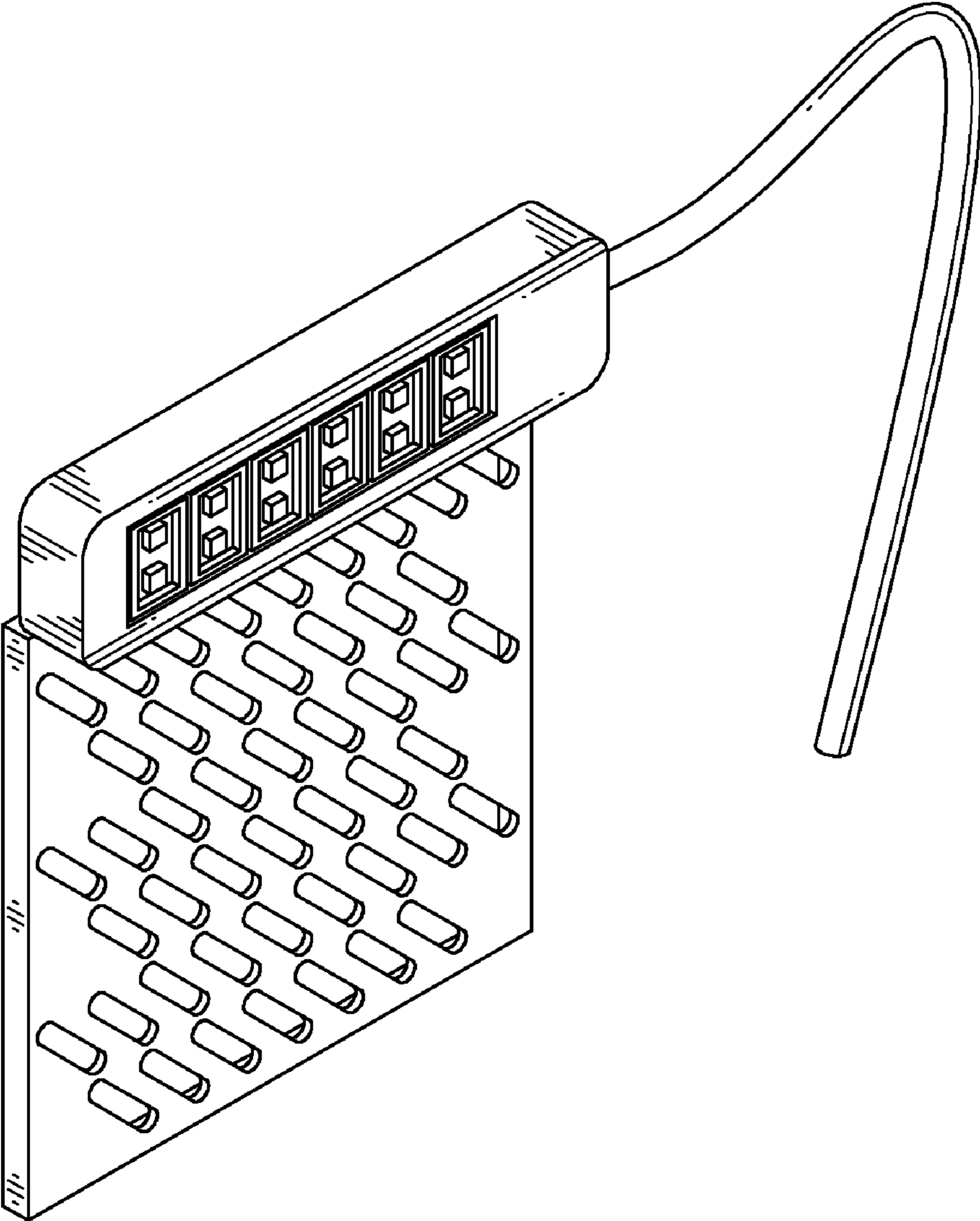


FIG. 1

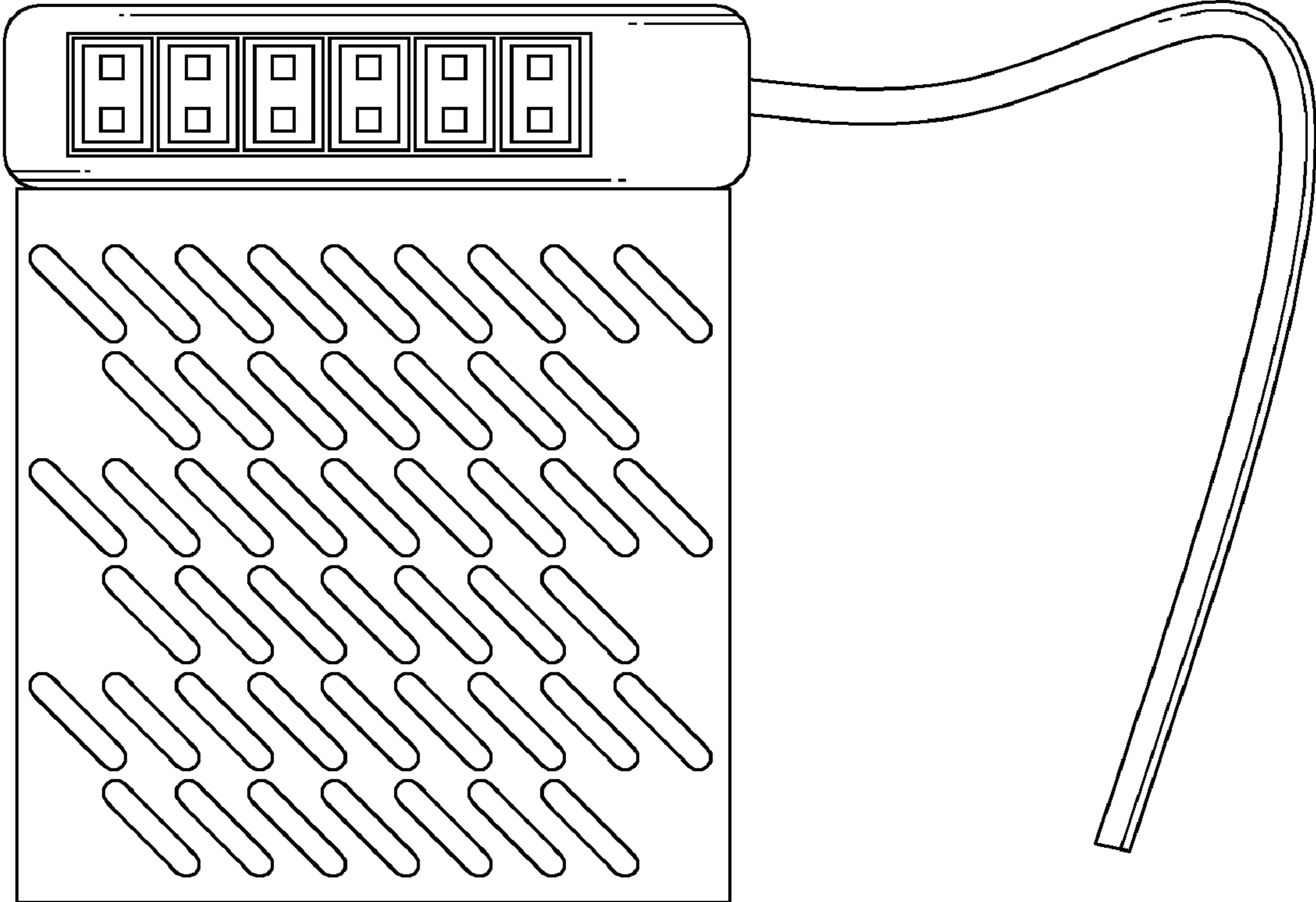


FIG. 2

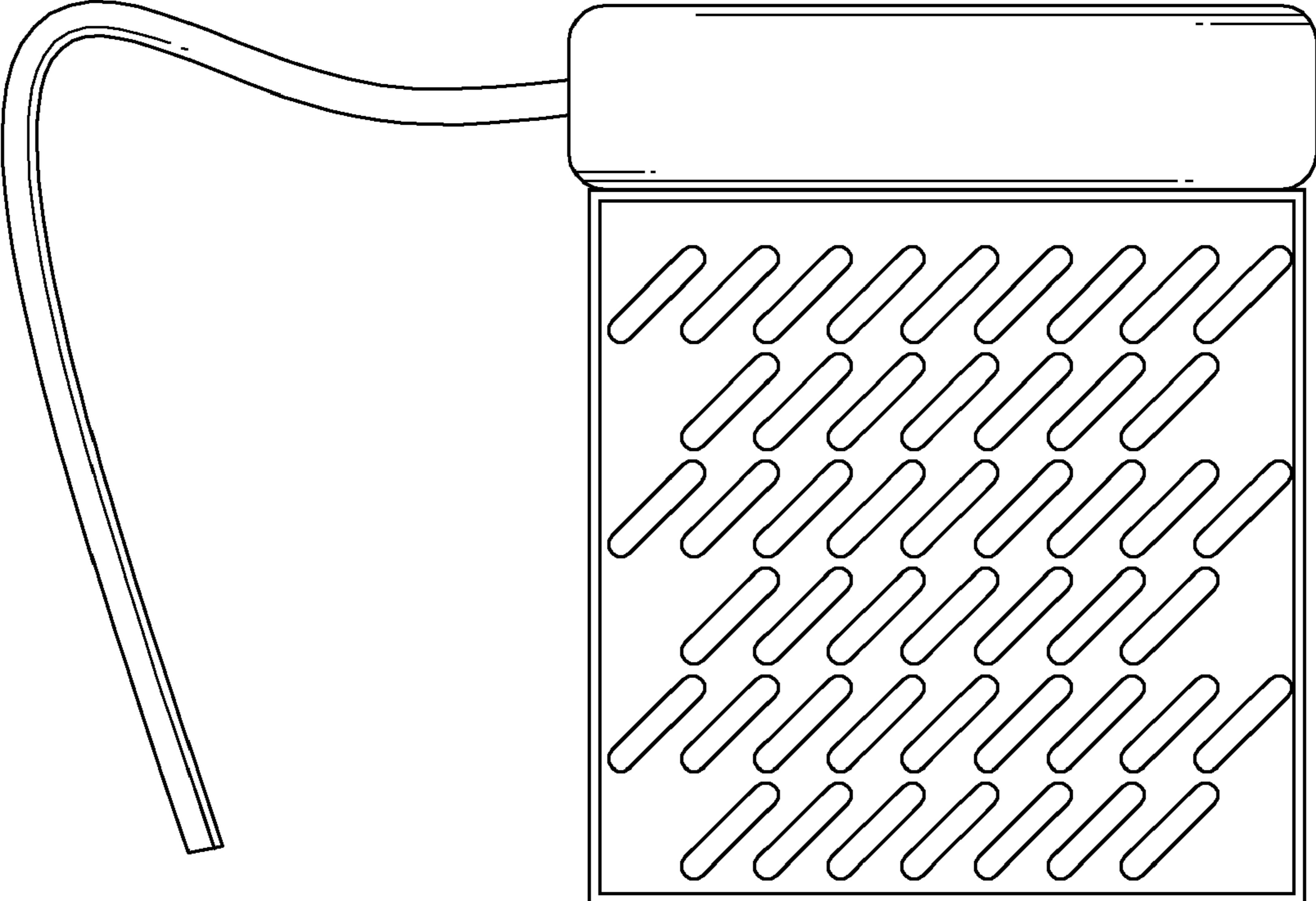


FIG. 3

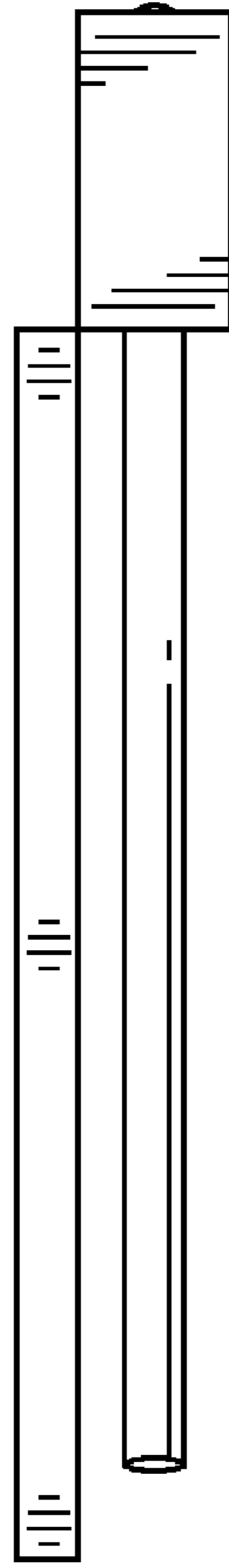


FIG. 4

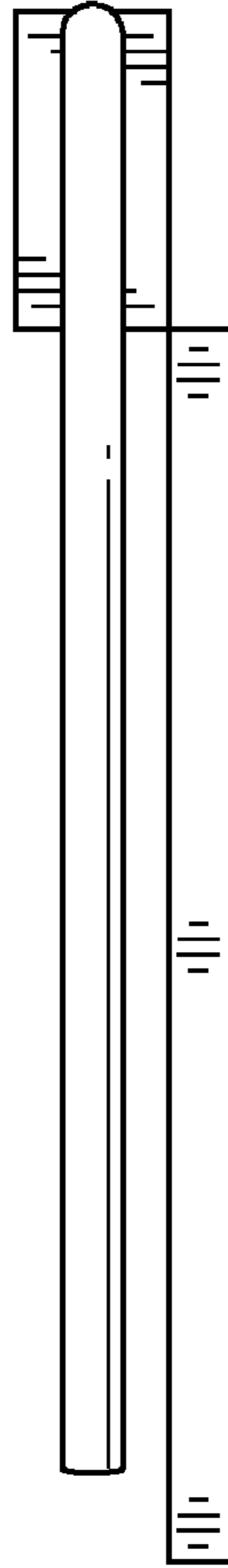


FIG. 5

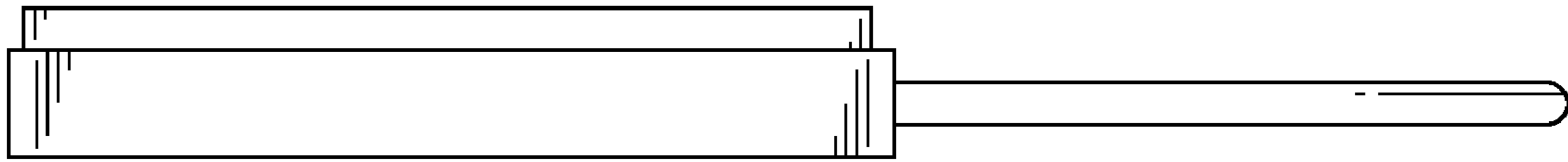


FIG. 6

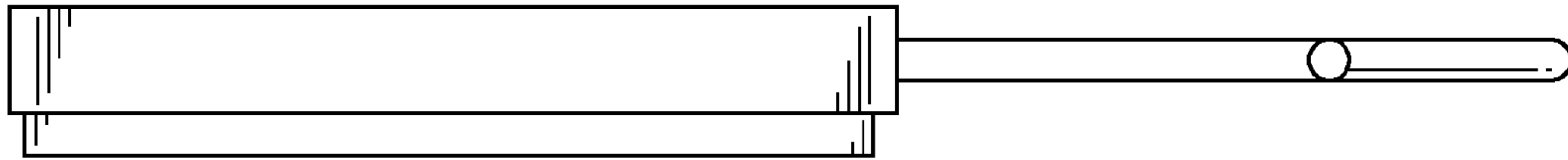


FIG. 7