



US00D626264S

(12) **United States Design Patent**
Liu

(10) **Patent No.:** **US D626,264 S**
(45) **Date of Patent:** **** Oct. 26, 2010**

(54) **ILLUMINATION APPARATUS**

(75) Inventor: **Yu-Pin Liu, Miao-Li Hsien (TW)**

(73) Assignee: **Foxsemicon Integrated Technology, Inc., Chu-Nan, Miao-Li Hsien (TW)**

(**) Term: **14 Years**

(21) Appl. No.: **29/346,990**

(22) Filed: **Nov. 10, 2009**

(30) **Foreign Application Priority Data**

Aug. 19, 2009 (CN) 2009 3 0312116

(51) **LOC (9) Cl.** **26-05**

(52) **U.S. Cl.** **D26/61**

(58) **Field of Classification Search** D26/61-66,
D26/1, 71, 68, 80; 362/218, 294, 373, 800,
362/249.02, 249.11, 340, 815.45, 704, 707,
362/719, 720, 725, 235, 240, 473, 540

See application file for complete search history.

(56) **References Cited**

U.S. PATENT DOCUMENTS

4,860,177 A * 8/1989 Simms 362/473
D598,598 S * 8/2009 Zhou et al. D26/68
D616,590 S * 5/2010 Huang et al. D26/63

* cited by examiner

Primary Examiner—Mitchell I Siegel

(74) *Attorney, Agent, or Firm*—Raymond J. Chew

(57) **CLAIM**

The ornamental design for an illumination apparatus, as shown and described.

DESCRIPTION

FIG. 1 is a perspective view of an illuminating apparatus.

FIG. 2 is a front elevational view thereof.

FIG. 3 is a rear elevational view thereof.

FIG. 4 is a left-side, elevational view thereof.

FIG. 5 is a right-side, elevational view thereof.

FIG. 6 is a top plan view thereof.

FIG. 7 is a bottom plan view thereof.

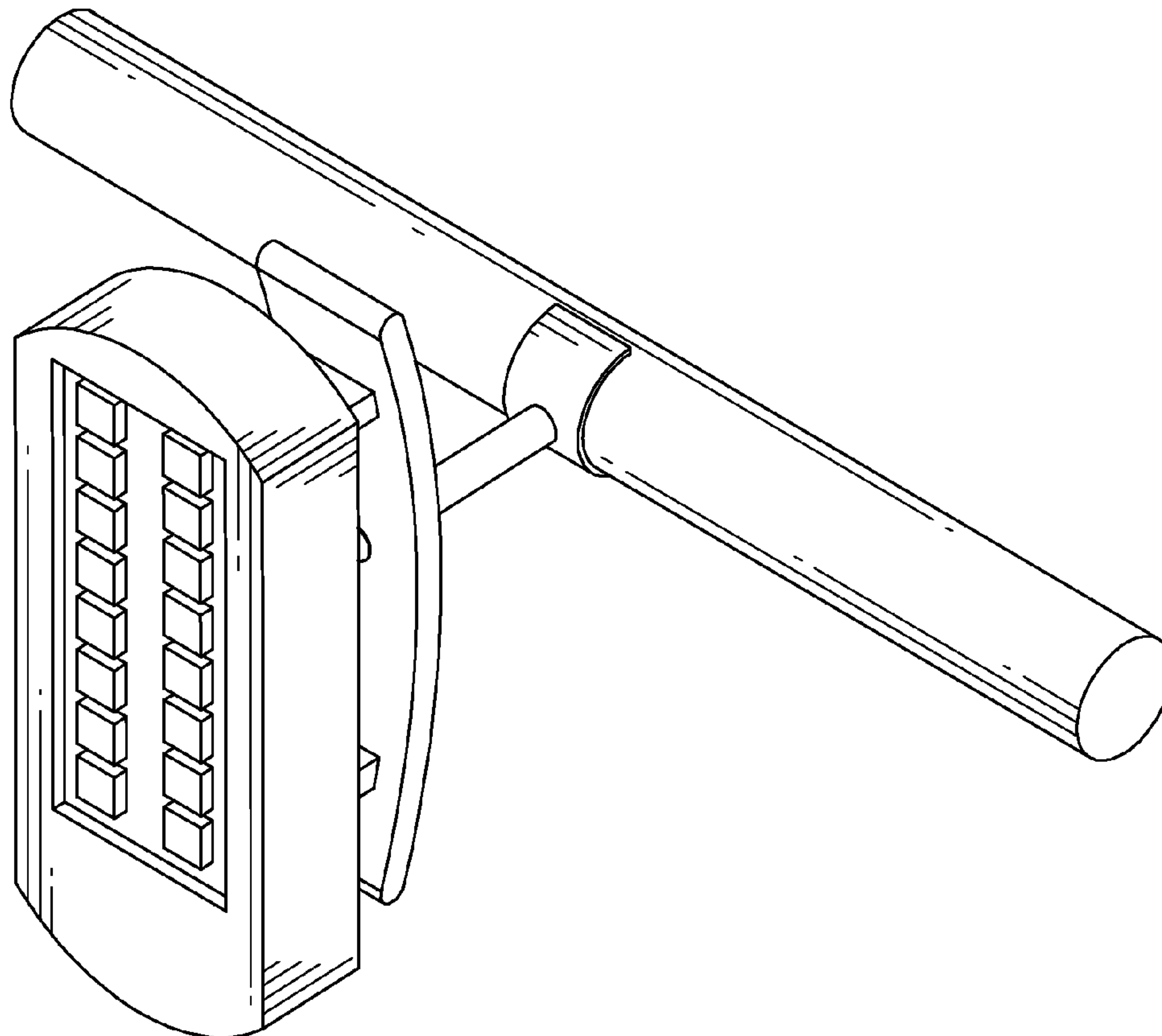
FIG. 8 is a perspective view of the illuminating apparatus in an alternate position from that of FIG. 1.

FIG. 9 is a perspective view of the illuminating apparatus in an alternate position from that of FIGS. 1 and 8.

FIG. 10 is a perspective view of the illuminating apparatus in an alternate position from that of FIGS. 1, 8 and 9; and,

FIG. 11 is a perspective view of the illuminating apparatus in an alternate position from that of FIGS. 1, 8, 9 and 10.

1 Claim, 11 Drawing Sheets



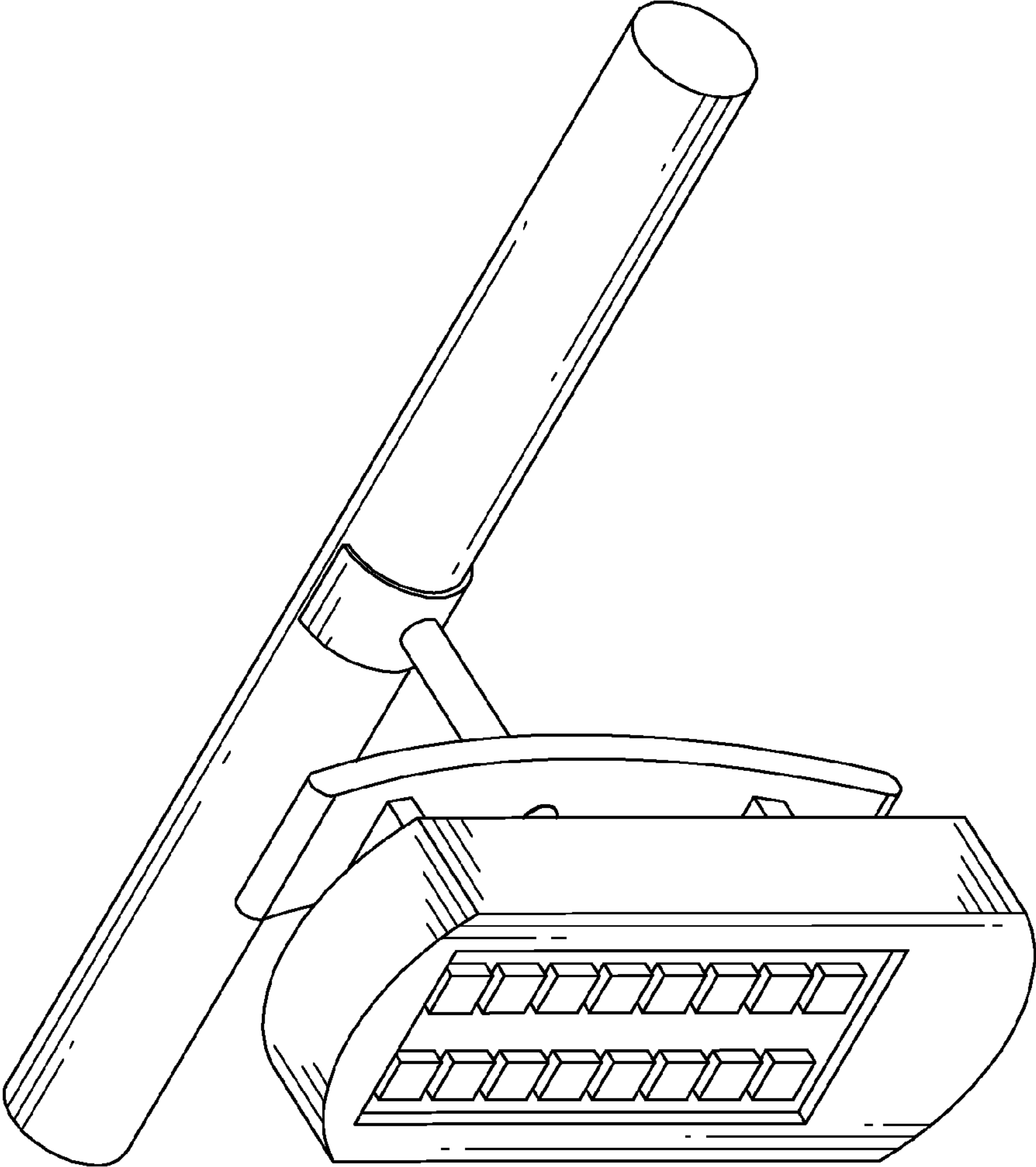


FIG. 1

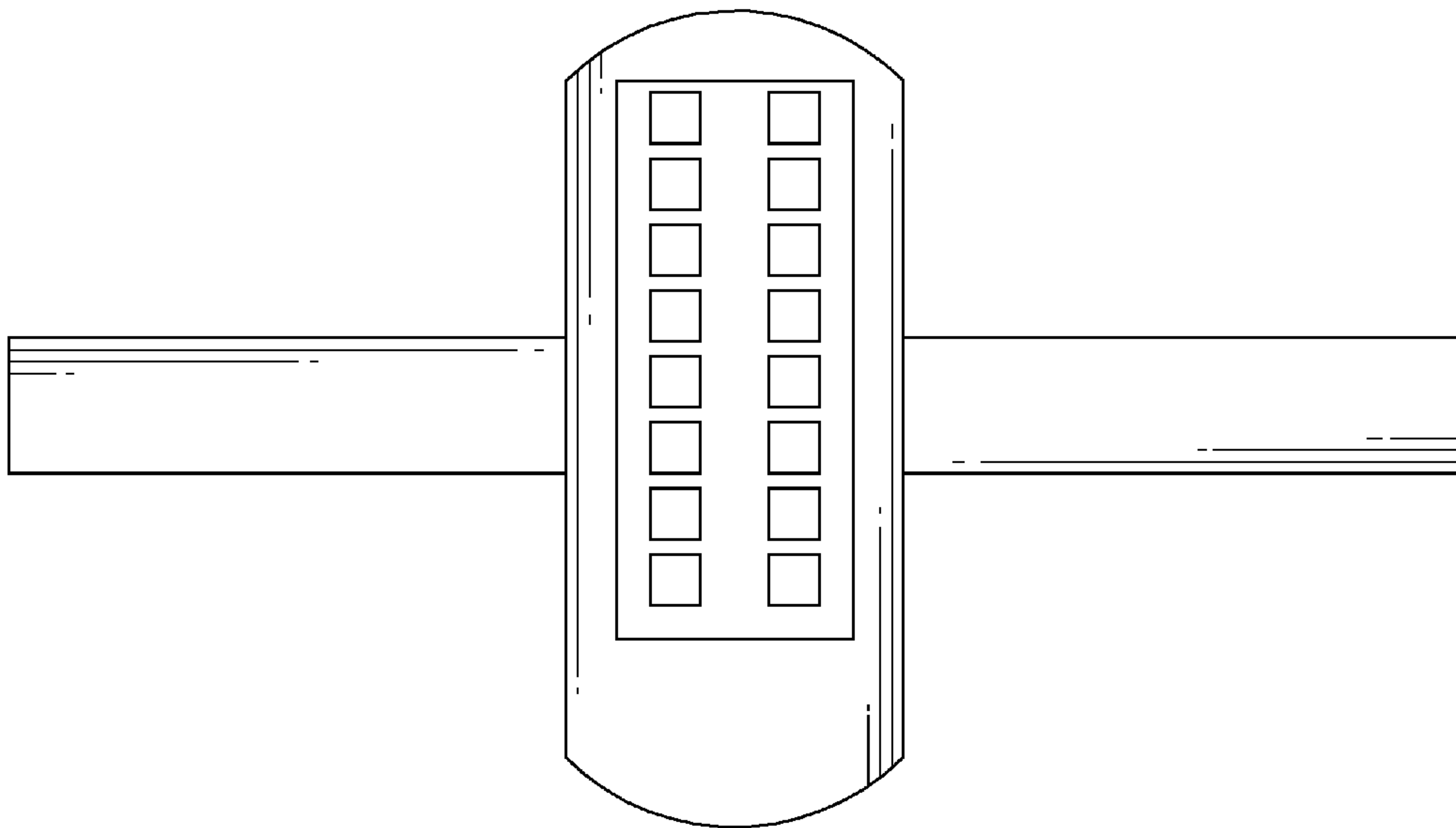


FIG. 2

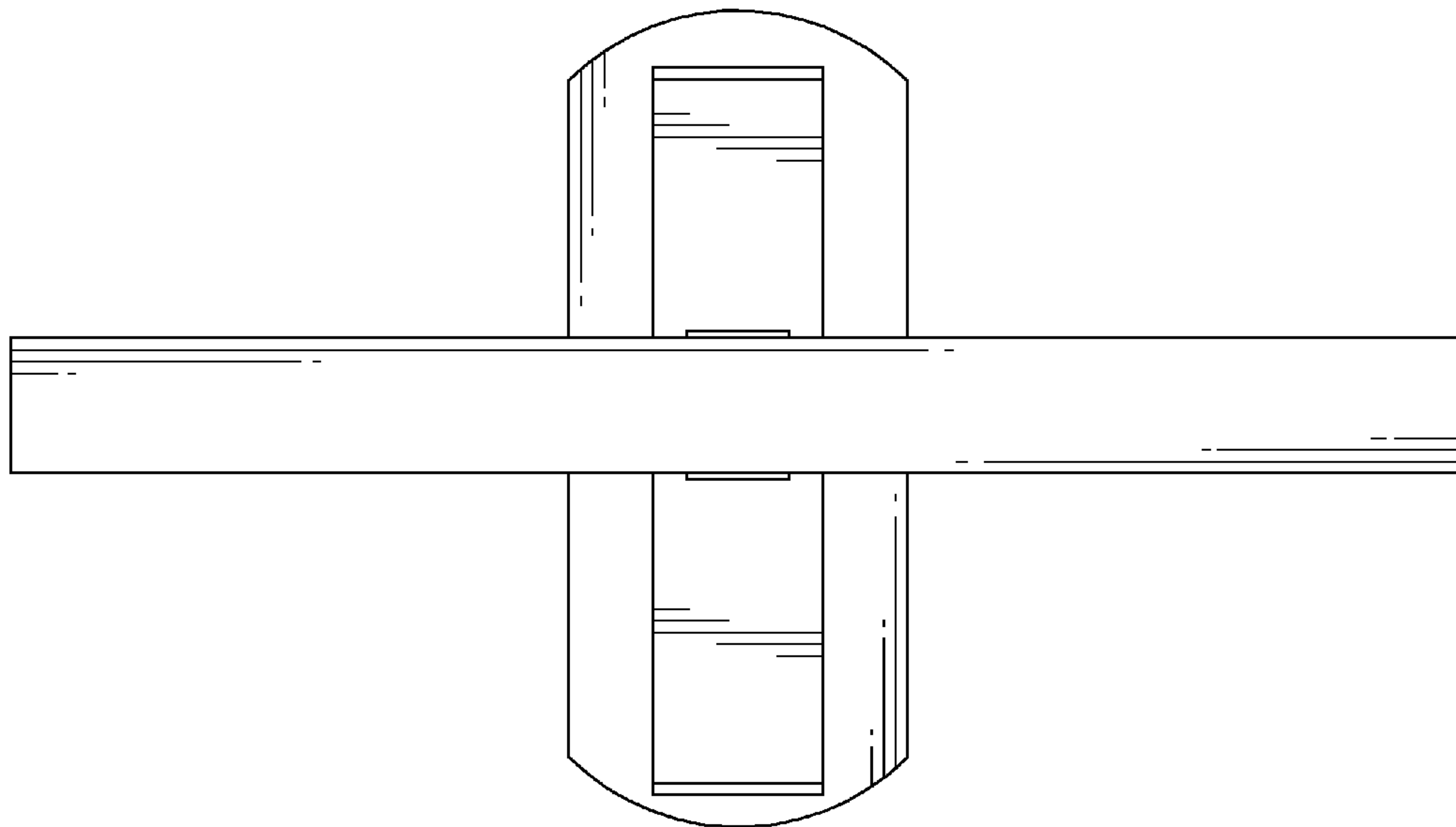


FIG. 3

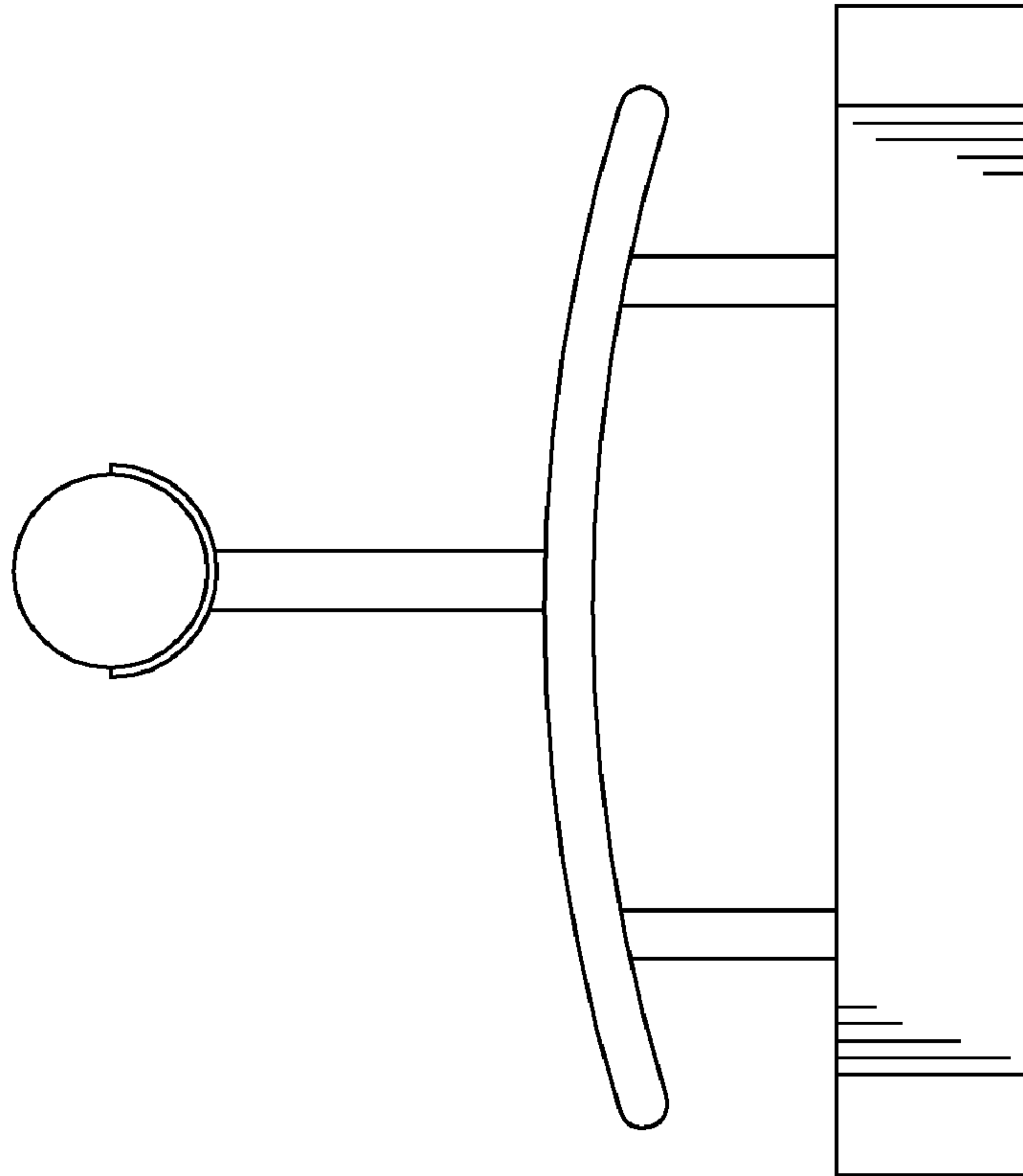


FIG. 4

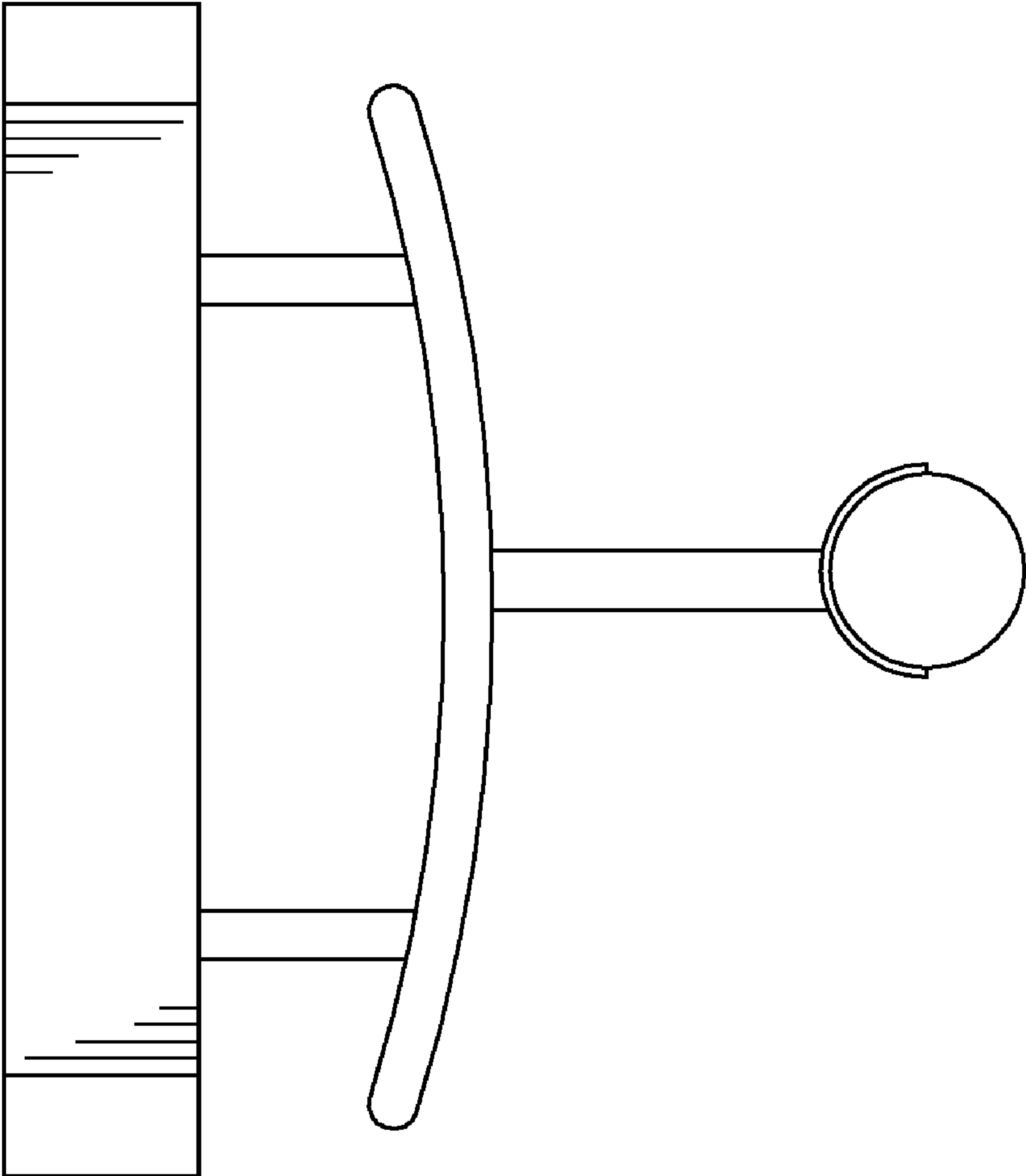


FIG. 5

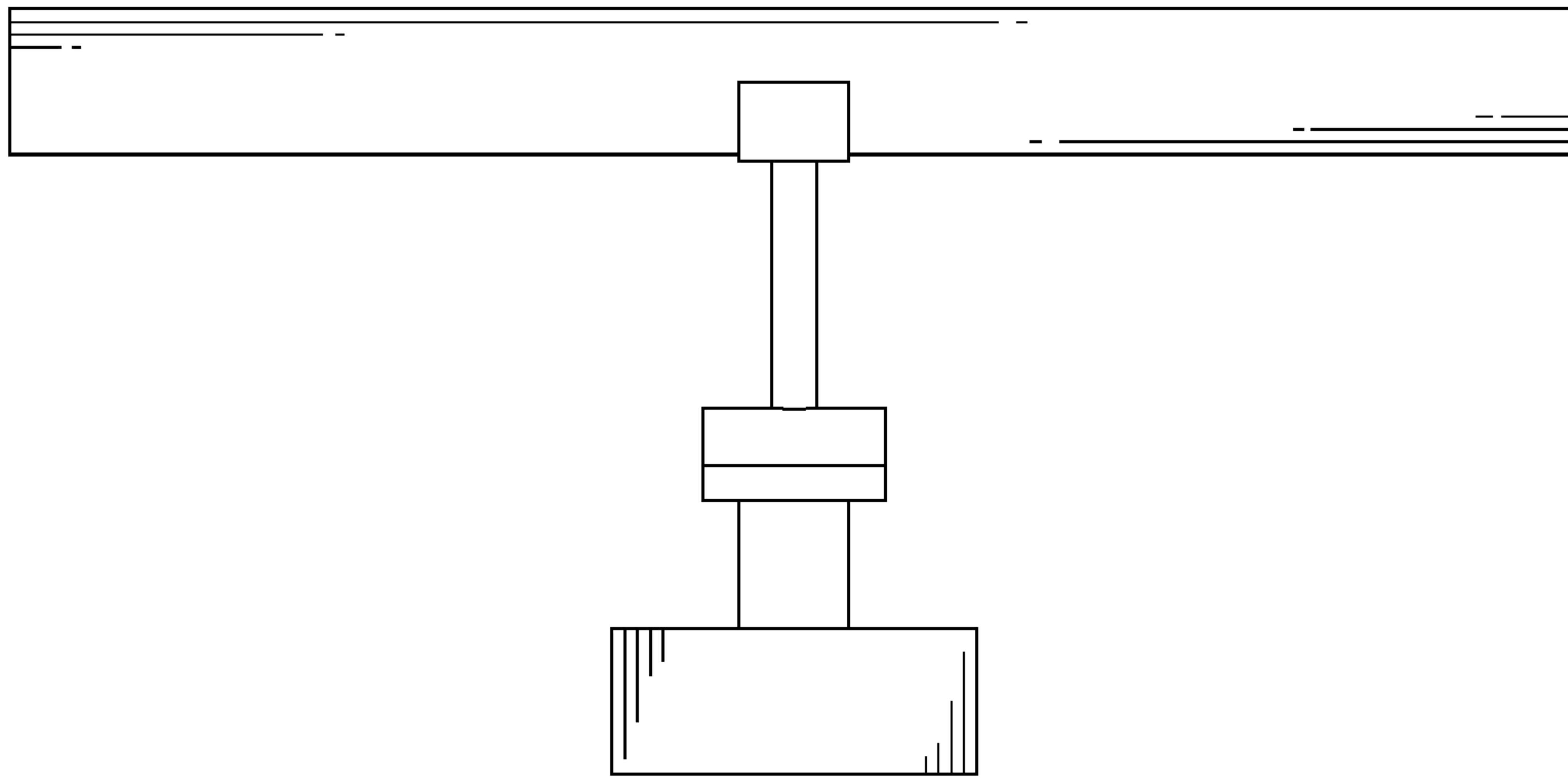


FIG. 6

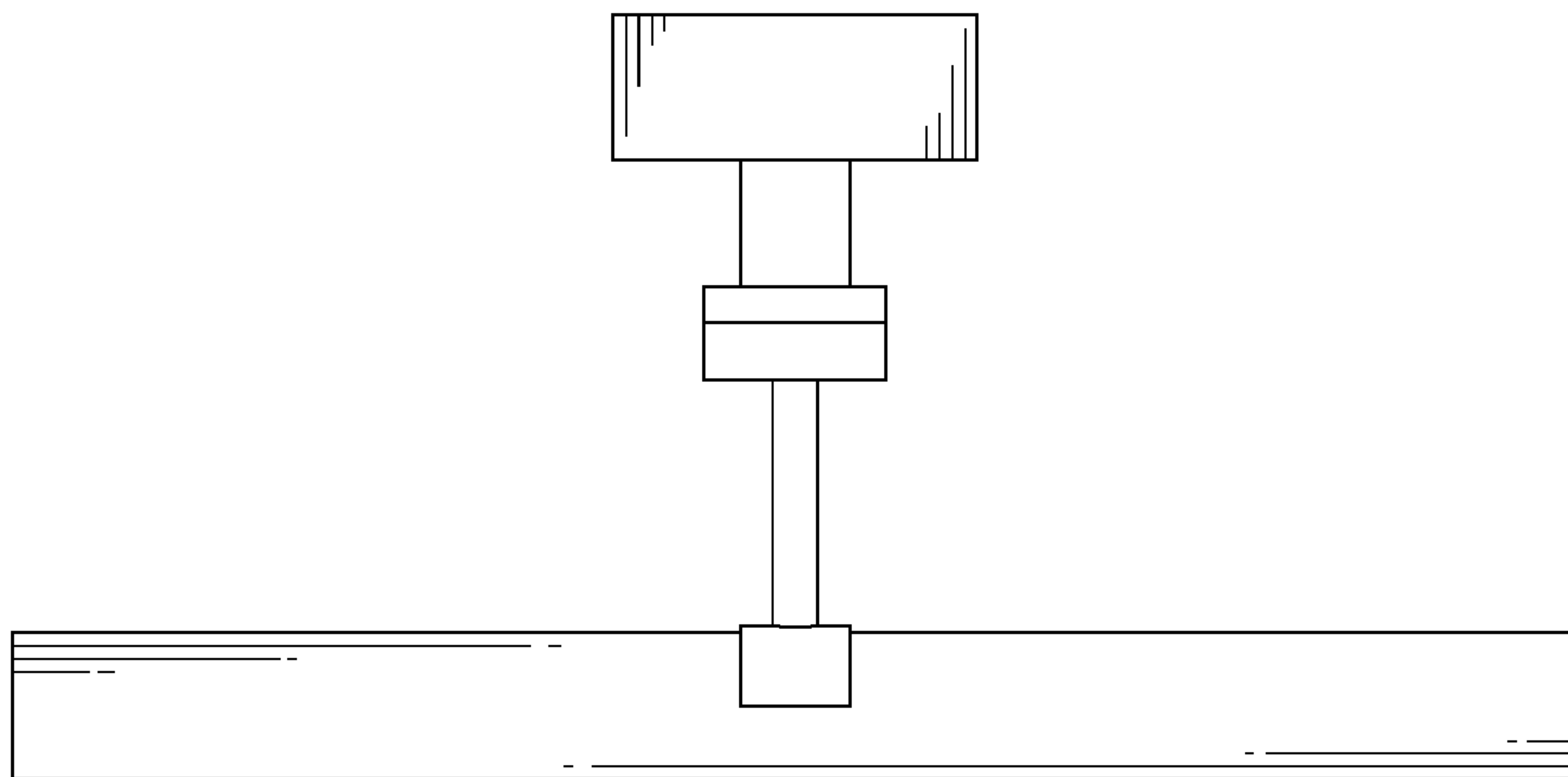


FIG. 7

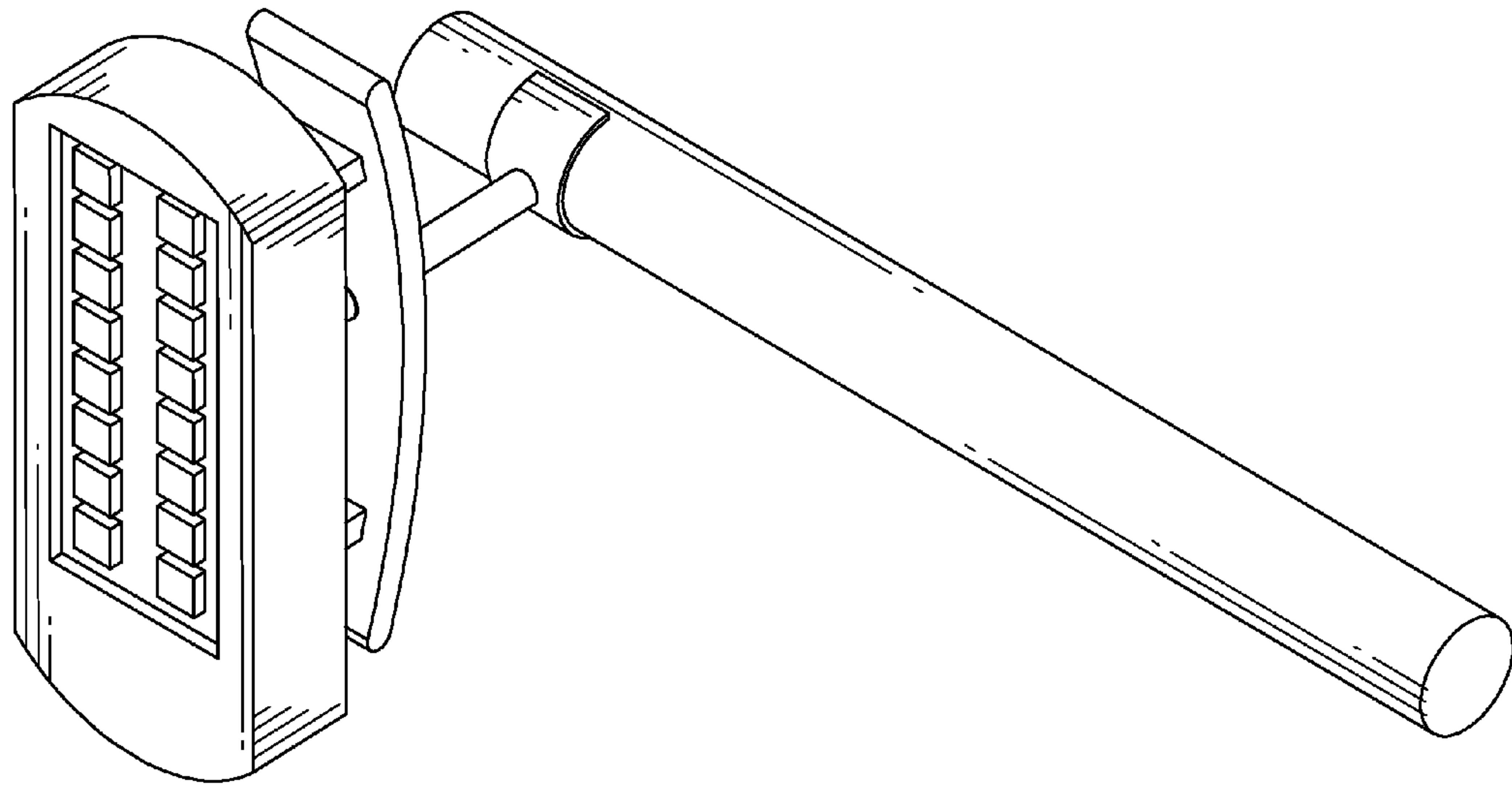


FIG. 8

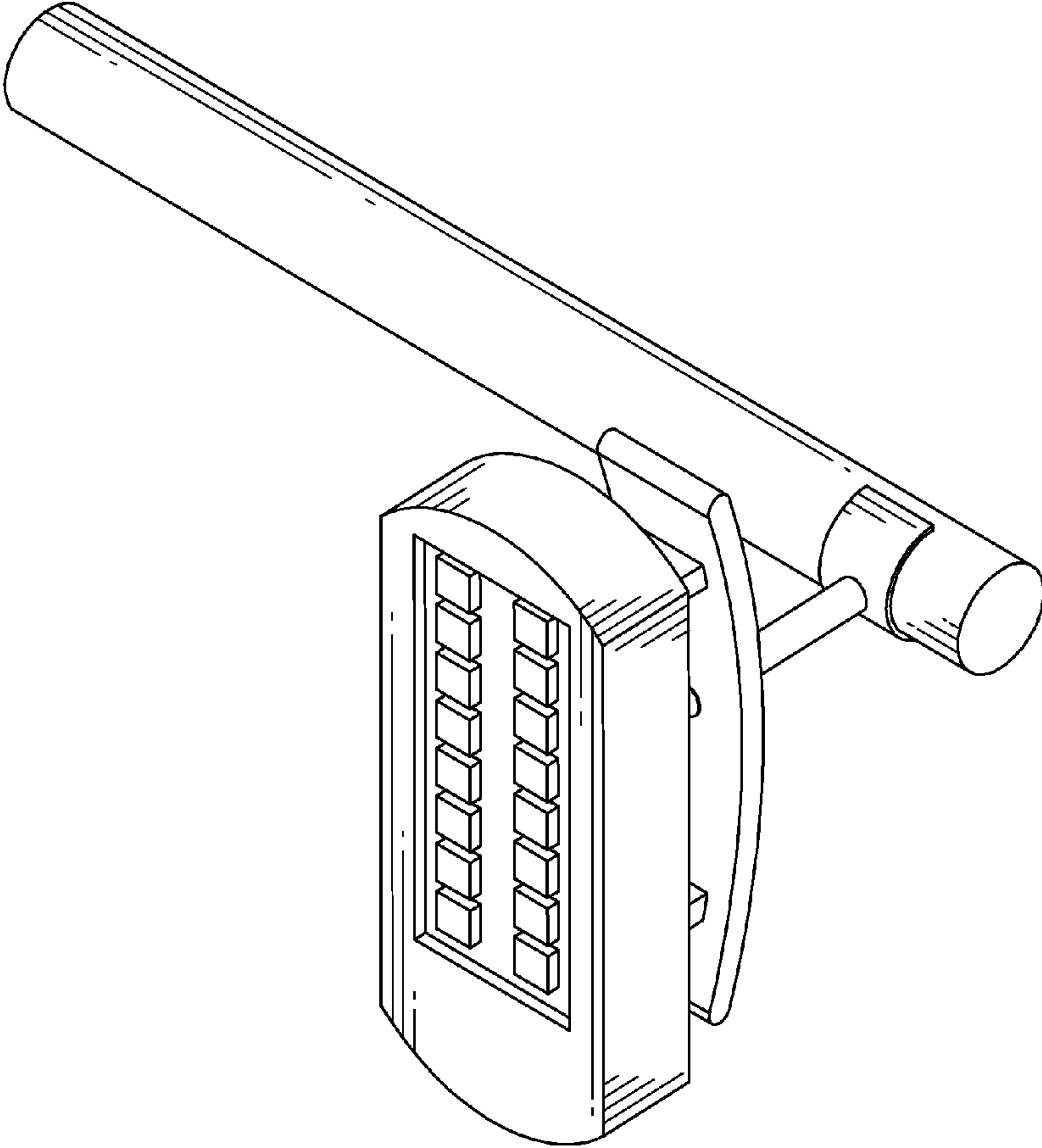


FIG. 9

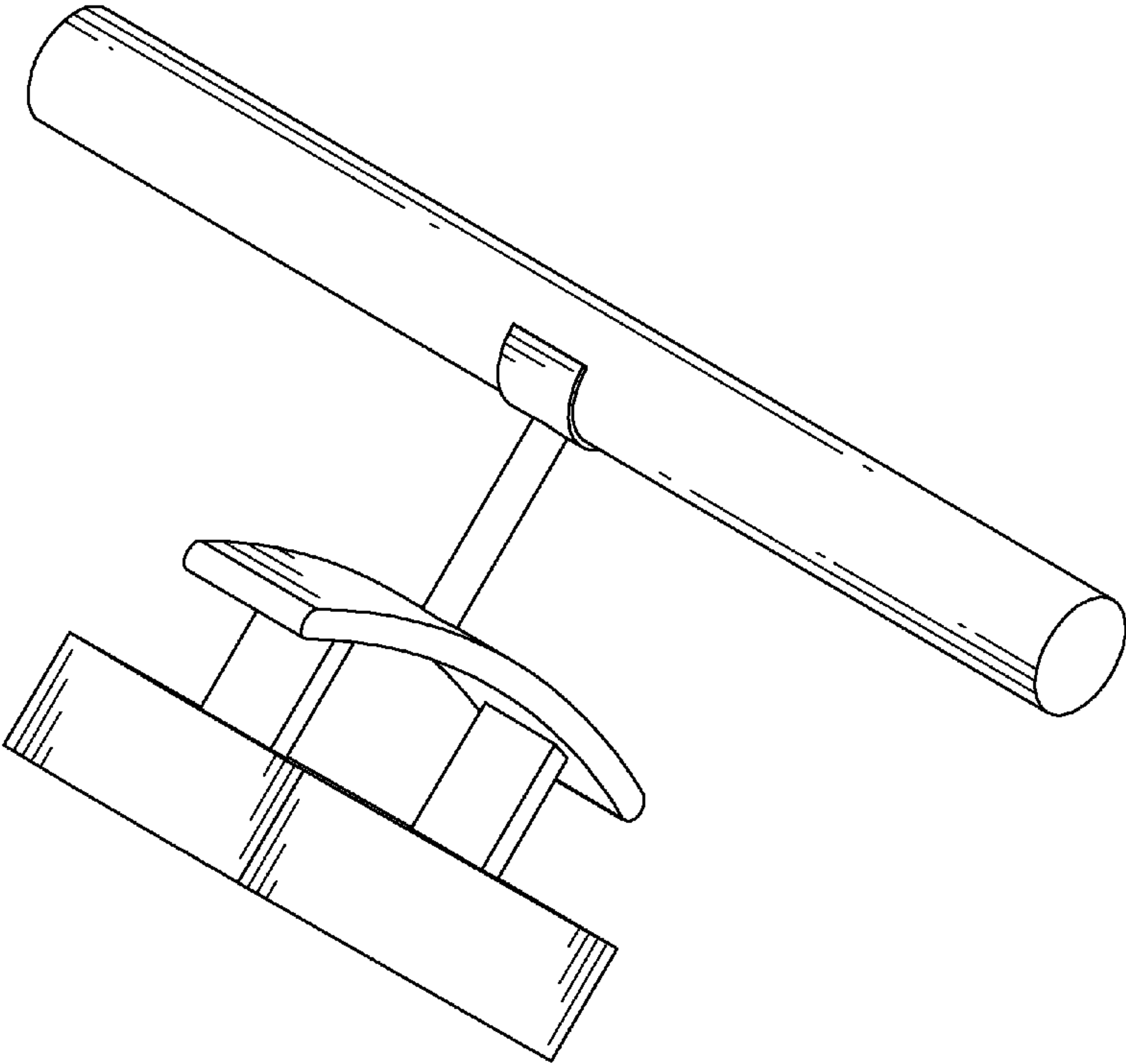


FIG. 10

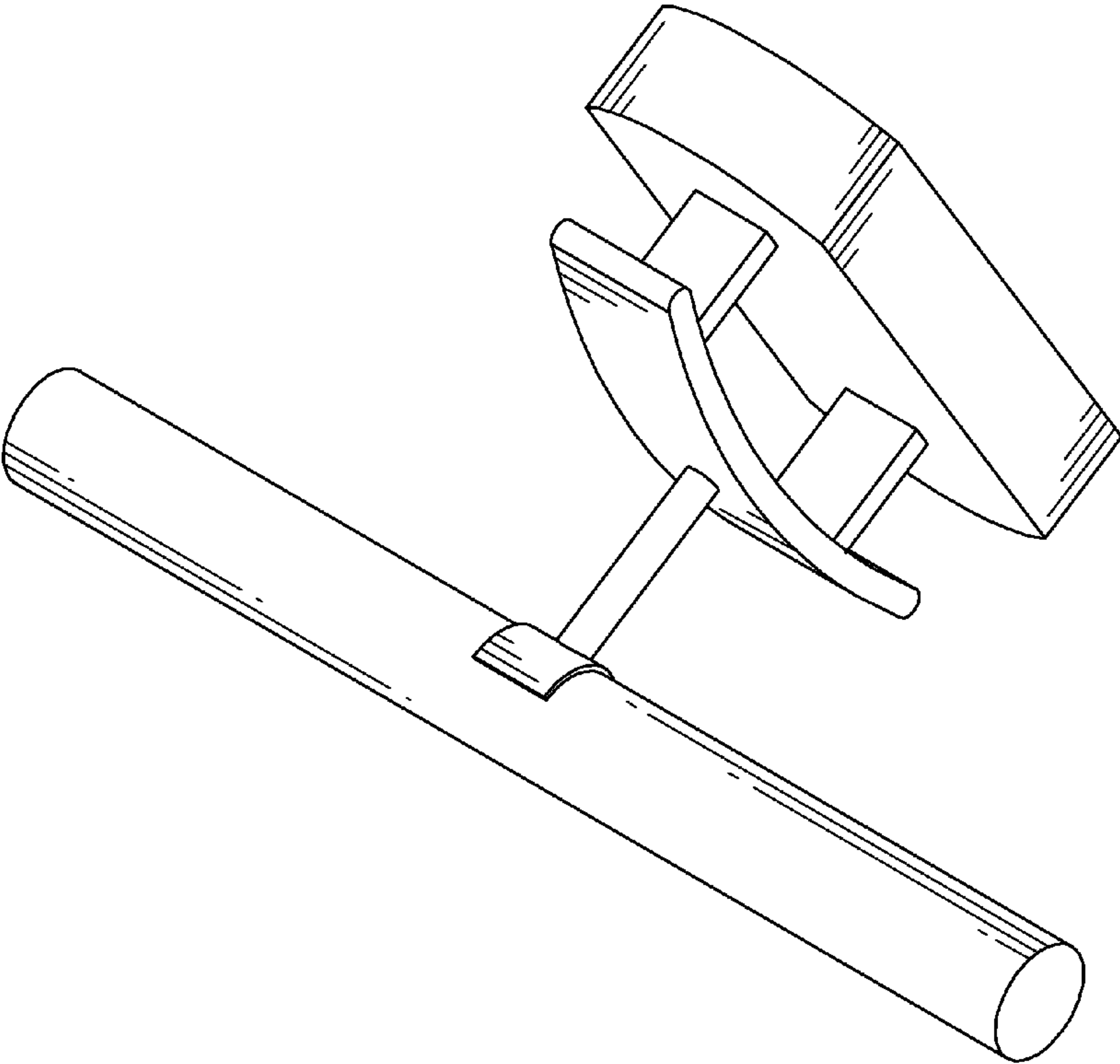


FIG. 11