



US00D626262S

(12) **United States Design Patent**
Lu

(10) **Patent No.:** **US D626,262 S**
(45) **Date of Patent:** **** Oct. 26, 2010**

(54) **LIGHT WITH MAGNIFIER**

(76) Inventor: **James Lu**, Kaiyilai Industrial Park,
Industrial Zone No. 388, Liangantian
Village, Pinghu Town, Longgang,
Shenzhen City, Guangdong Province
(CN)

(**) Term: **14 Years**

(21) Appl. No.: **29/354,521**

(22) Filed: **Jan. 26, 2010**

(51) **LOC (9) Cl.** **26-05**

(52) **U.S. Cl.** **D26/51**

(58) **Field of Classification Search** D26/51,
D26/60, 61-66, 56; D16/135; 362/277-288,
362/418, 253, 269, 410, 413, 396
See application file for complete search history.

(56) **References Cited**

U.S. PATENT DOCUMENTS

D277,320 S * 1/1985 Selden D26/51
4,885,667 A * 12/1989 Selden 362/253
D473,962 S * 4/2003 Jacquelin D26/51

D520,168 S * 5/2006 Hodgson D26/65
D588,737 S * 3/2009 Fu D26/63
D590,973 S * 4/2009 Hodgson D26/51
D614,335 S * 4/2010 Cham D26/51

* cited by examiner

Primary Examiner—Susan M Lee
Assistant Examiner—Linda G. Brooks

(57) **CLAIM**

The ornamental design for a light with magnifier, as shown.

DESCRIPTION

FIG. 1 is a front elevational view of a light with magnifier showing my new design;

FIG. 2 is a rear elevational view thereof;

FIG. 3 is a left side view thereof;

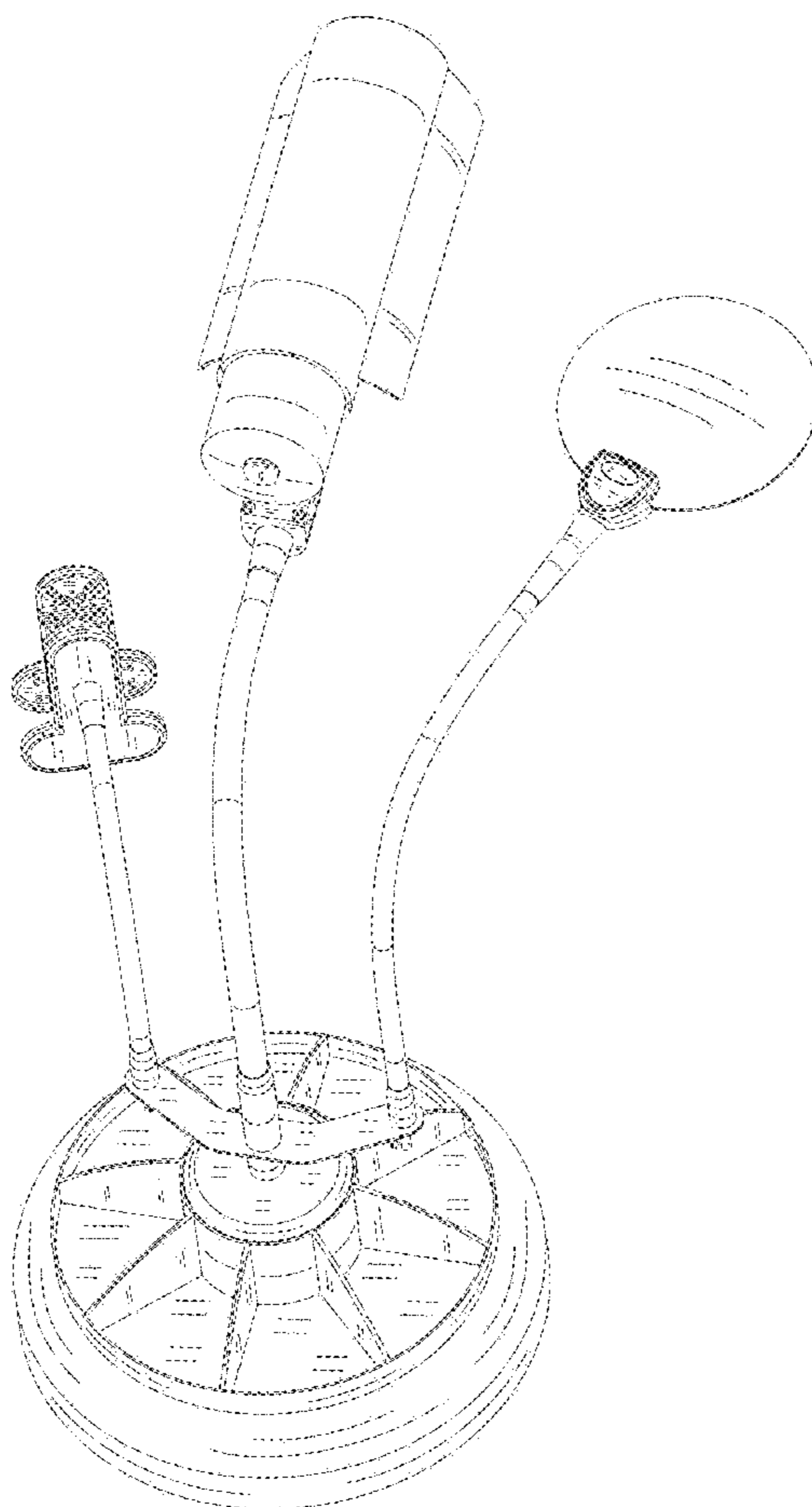
FIG. 4 is a right side view thereof;

FIG. 5 is a top plan view thereof;

FIG. 6 is a bottom plan view thereof; and,

FIG. 7 is a perspective view thereof.

1 Claim, 7 Drawing Sheets



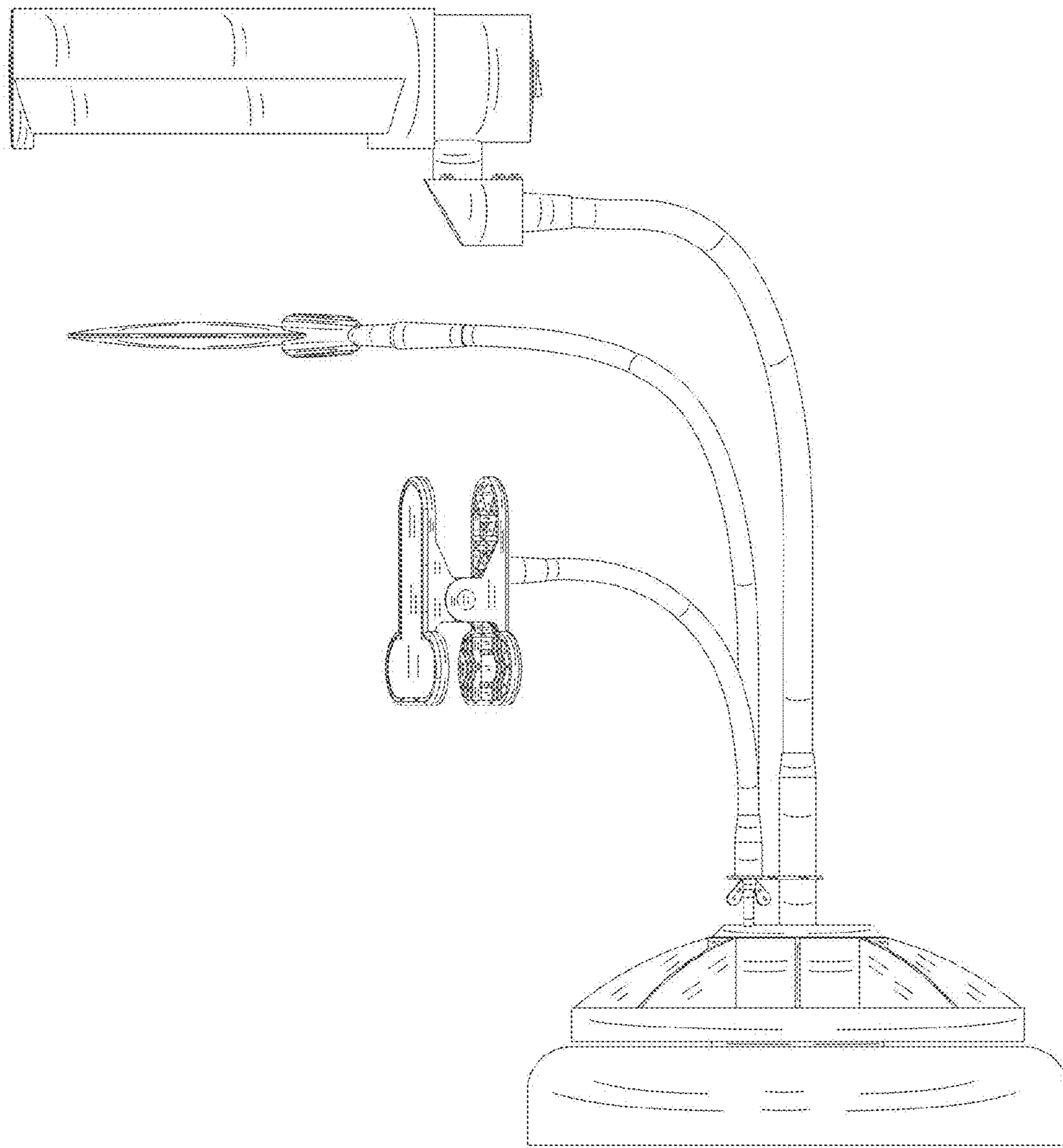


FIG. 1

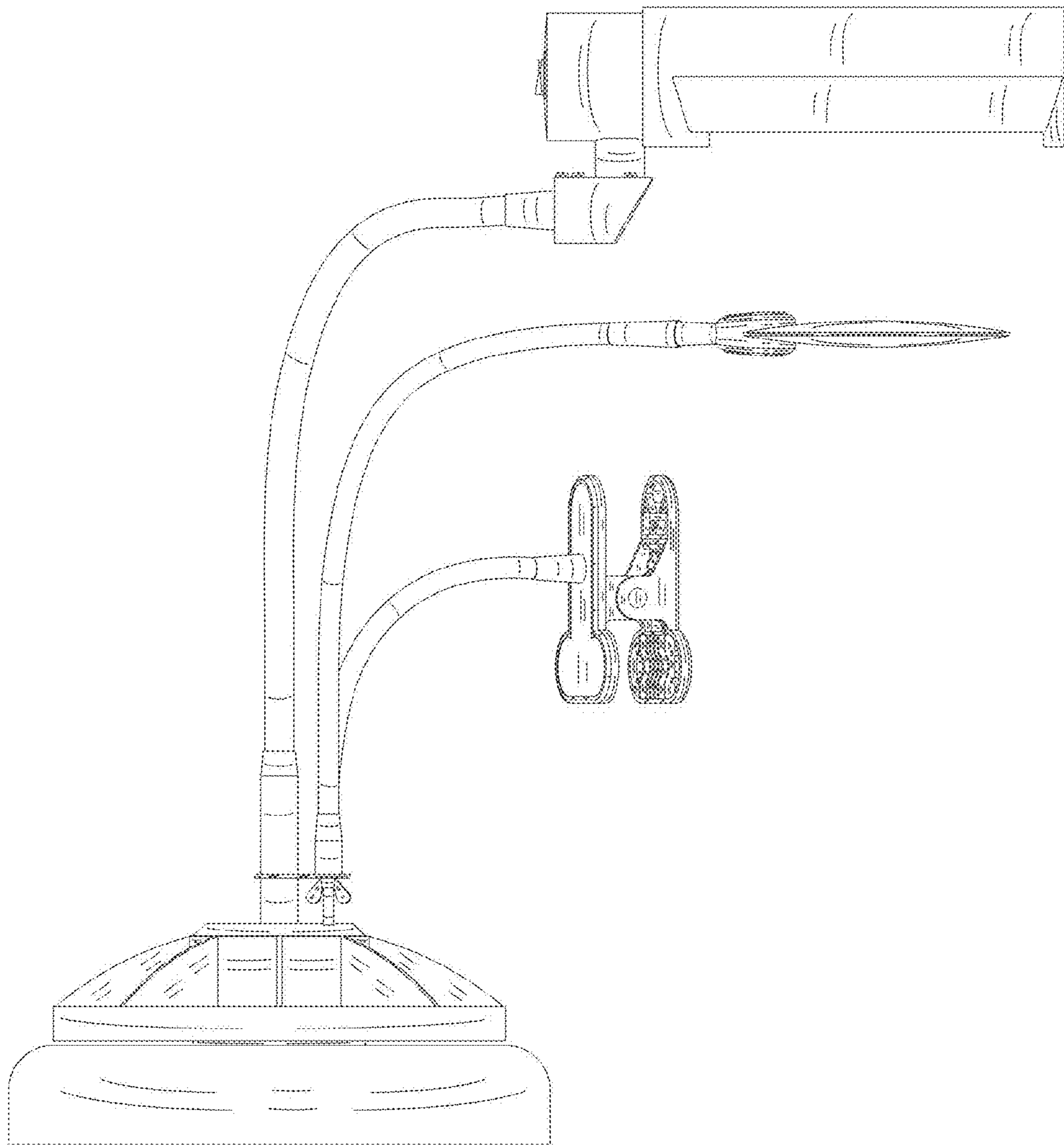


FIG. 2

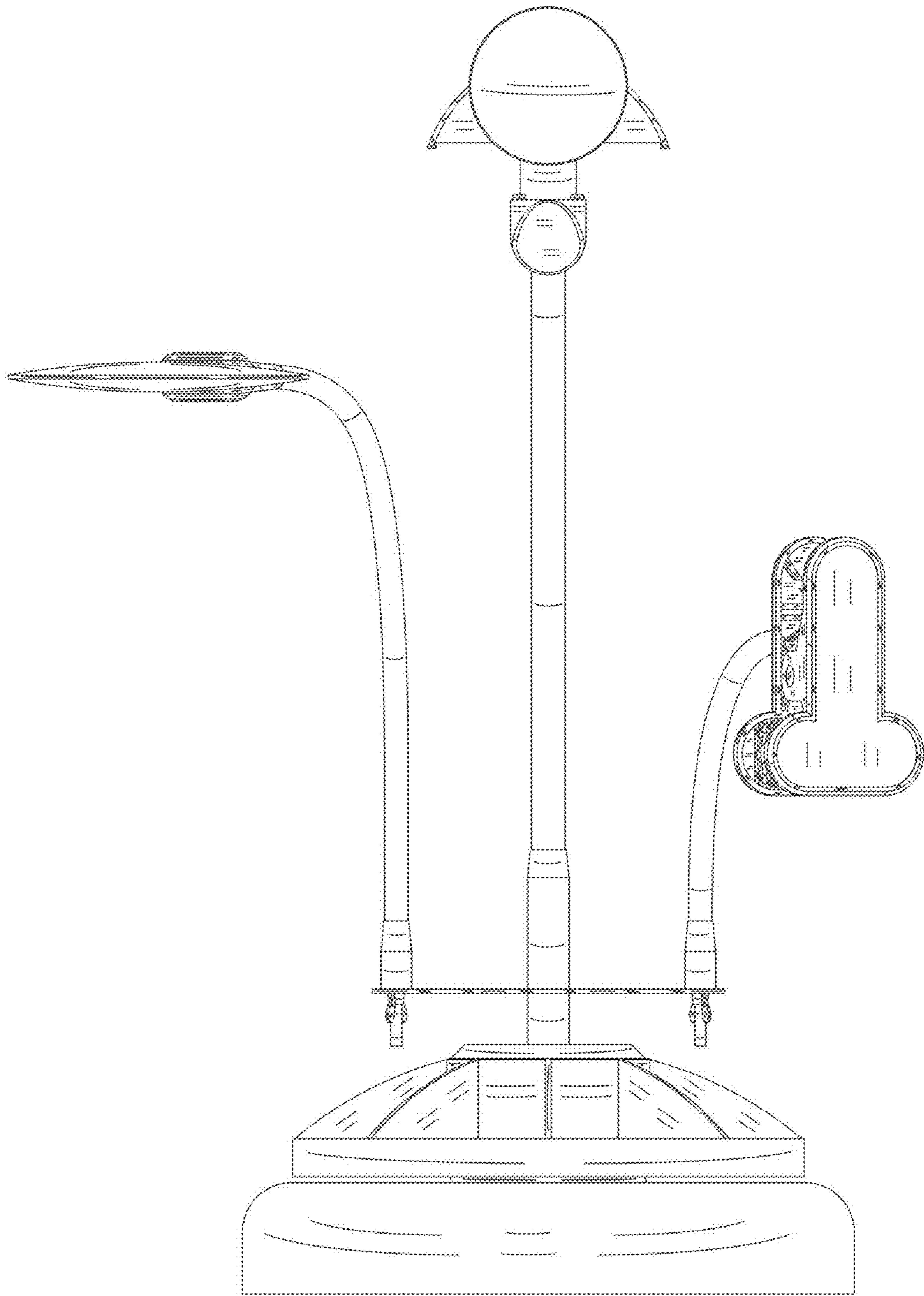


FIG. 3

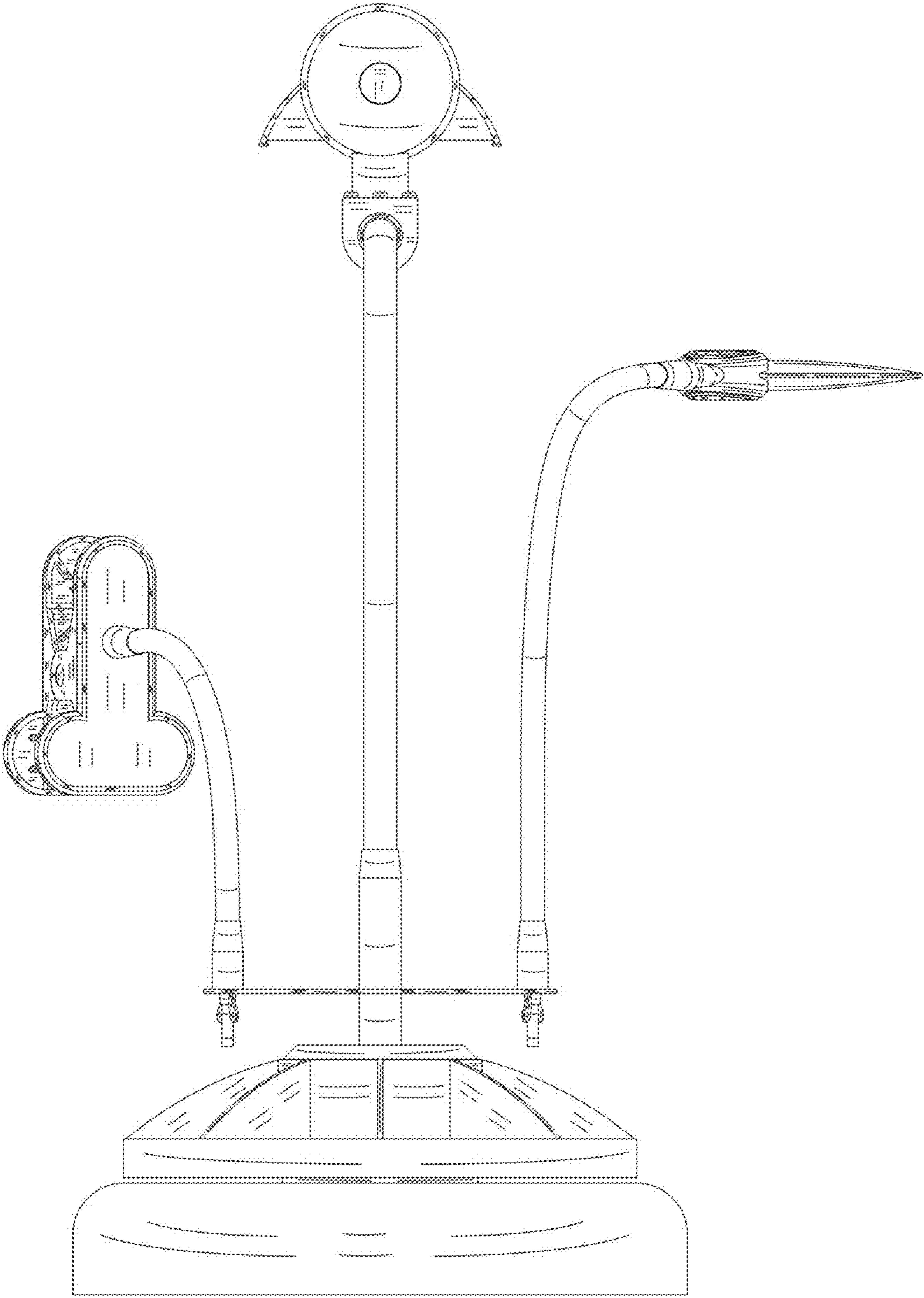


FIG. 4

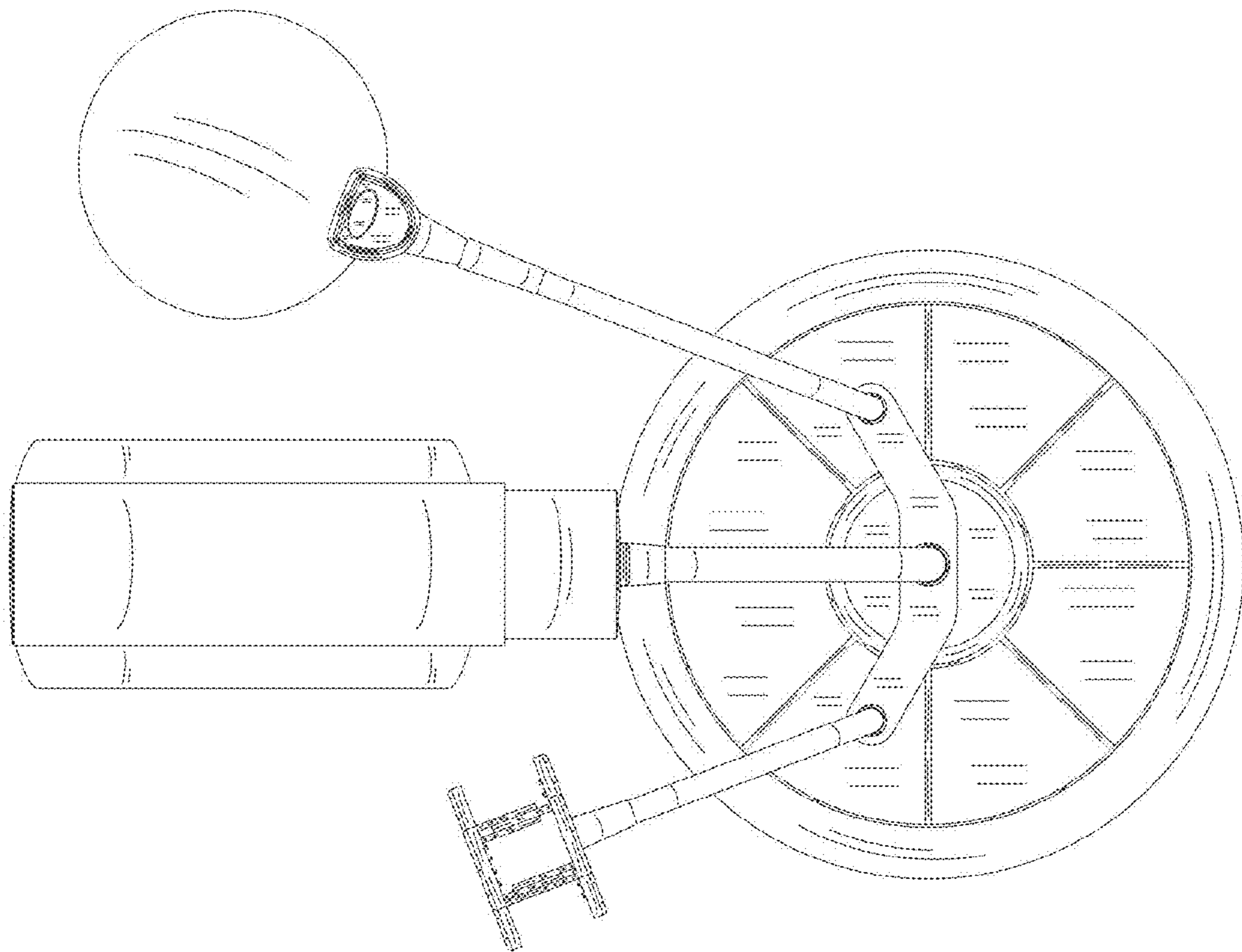


FIG. 5

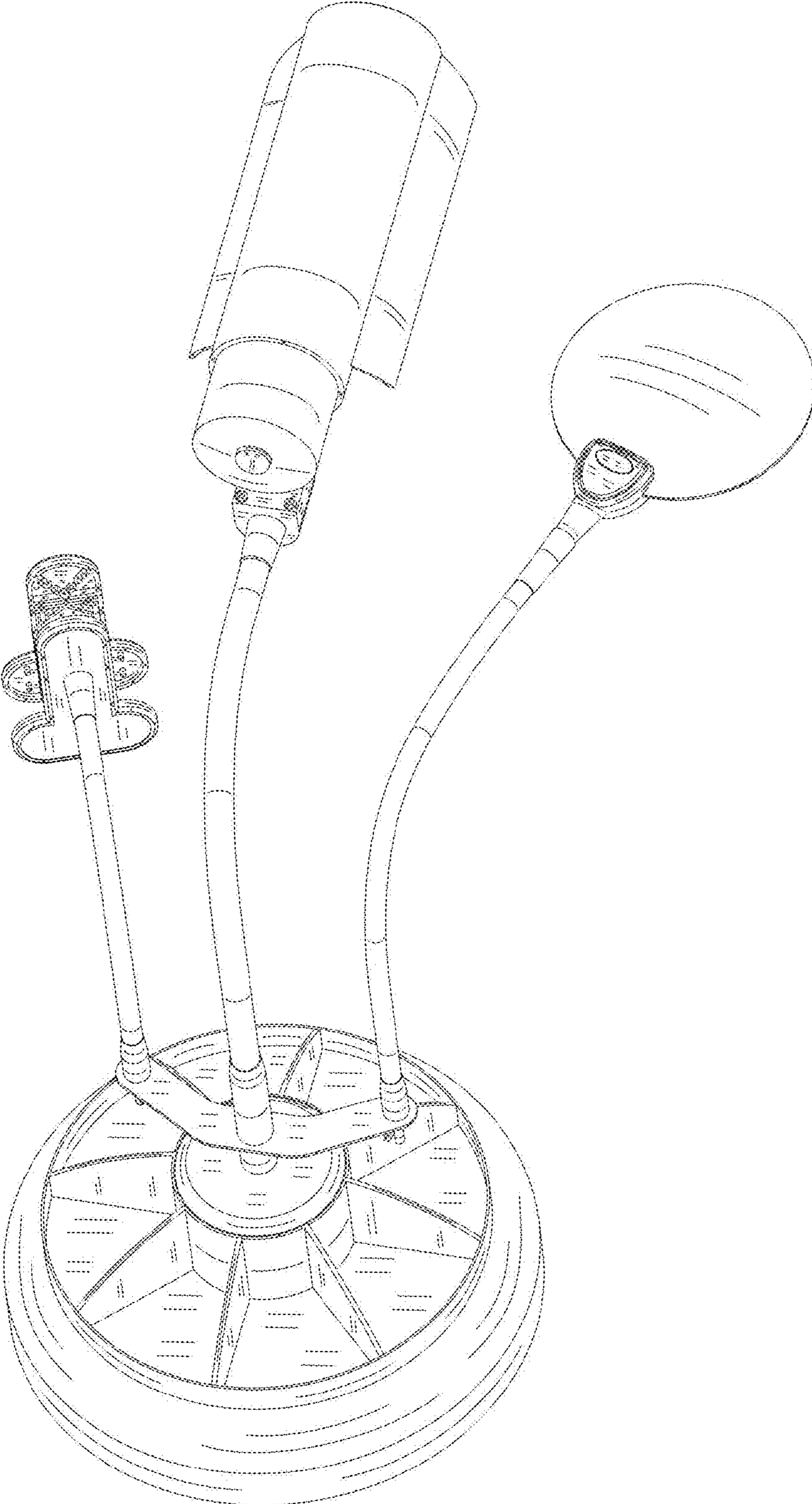


FIG. 7