

US00D626261S

(12) **United States Design Patent**
Bildhaeuser et al.

(10) **Patent No.:** **US D626,261 S**

(45) **Date of Patent:** **** Oct. 26, 2010**

(54) **HEADLIGHT FOR A VEHICLE**

(75) Inventors: **Hans-Peter Bildhaeuser**, Aidlingen (DE); **Ingo Feuerherdt**, Herrenberg (DE); **Hans-Dieter Futschik**, Gechingen (DE); **Steffen Koehl**, Stuttgart (DE)

(73) Assignee: **Daimler AG**, Stuttgart (DE)

(**) Term: **14 Years**

(21) Appl. No.: **29/347,026**

(22) Filed: **Aug. 26, 2009**

(30) **Foreign Application Priority Data**

Feb. 27, 2009 (DE) 402009001005

(51) **LOC (9) Cl.** **26-06**

(52) **U.S. Cl.** **D26/28**

(58) **Field of Classification Search** D26/28-36;
362/459-468, 475-478, 485-487

See application file for complete search history.

(56) **References Cited**

U.S. PATENT DOCUMENTS

561,358 A *	6/1896	Tachibana	381/180
D536,113 S	1/2007	Pfeiffer		
D556,349 S *	11/2007	Golden et al.	D26/28
D560,291 S *	1/2008	Koyama	D26/28
D563,576 S *	3/2008	Hanaoka	D26/28
D570,016 S *	5/2008	Hsu	D26/28

* cited by examiner

Primary Examiner—Marcus A Jackson

(74) *Attorney, Agent, or Firm*—Crowell & Moring LLP

(57) **CLAIM**

The ornamental design for a headlight for a vehicle, as shown and described.

DESCRIPTION

This application contains subject matter related to the following U.S. patent application:

Ser. No. 29/309,988, filed Nov. 26, 2008 and entitled Front Portion of a Vehicle, Toy, or Likeness Thereof.

FIG. 1 is a right perspective view of a first embodiment of a headlight for a vehicle according to our design;

FIG. 2 is a front view thereof;

FIG. 3 is a top view thereof; and

FIG. 4 is a right side view thereof.

FIG. 5 is a left perspective view of a second embodiment of the headlight for a vehicle according to our design;

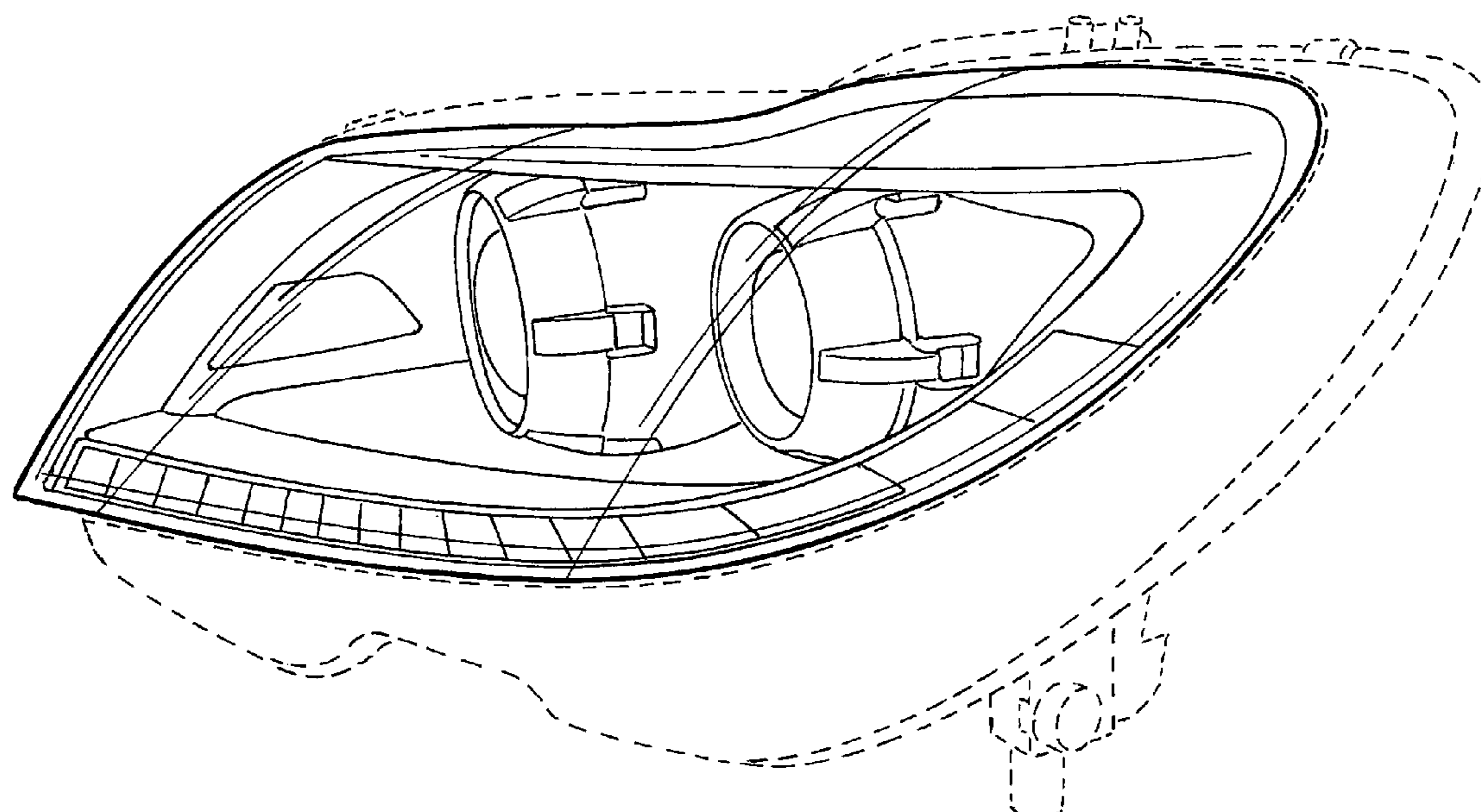
FIG. 6 is a front view thereof;

FIG. 7 is a top view thereof; and,

FIG. 8 is a left side view thereof.

The broken lines are for illustrative purposes only and form no part of the claimed design.

1 Claim, 6 Drawing Sheets



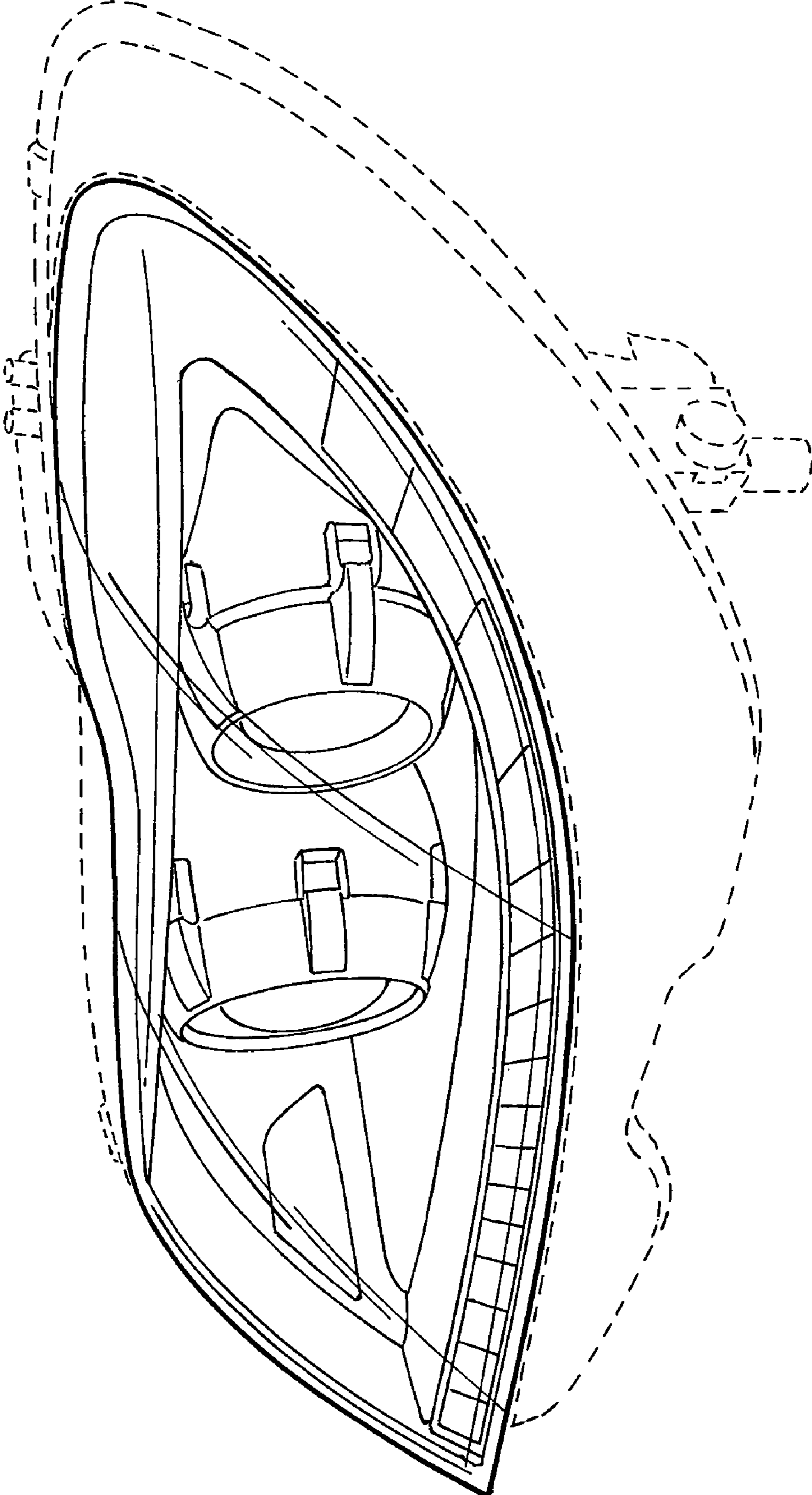


FIG. 1

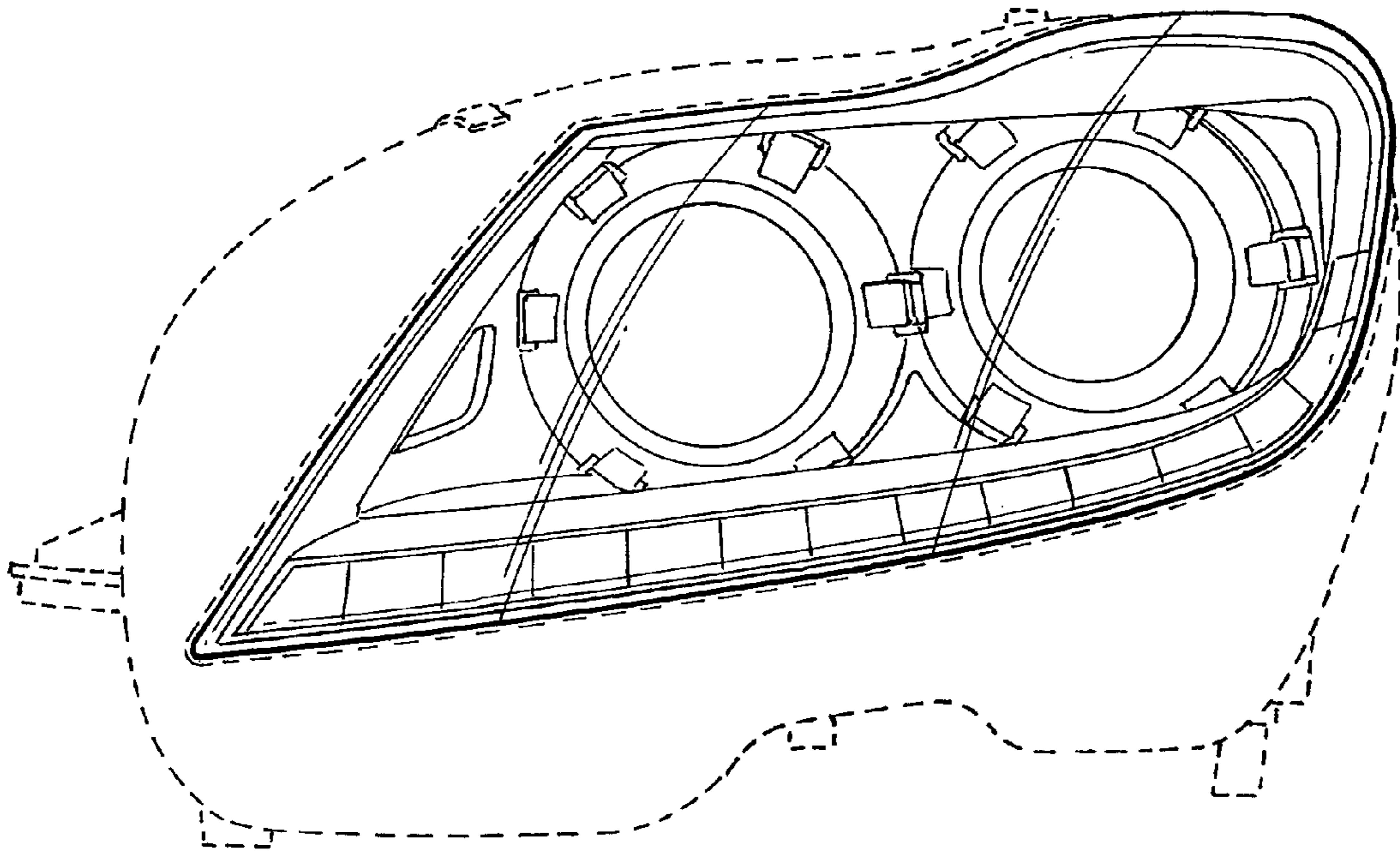


FIG. 2

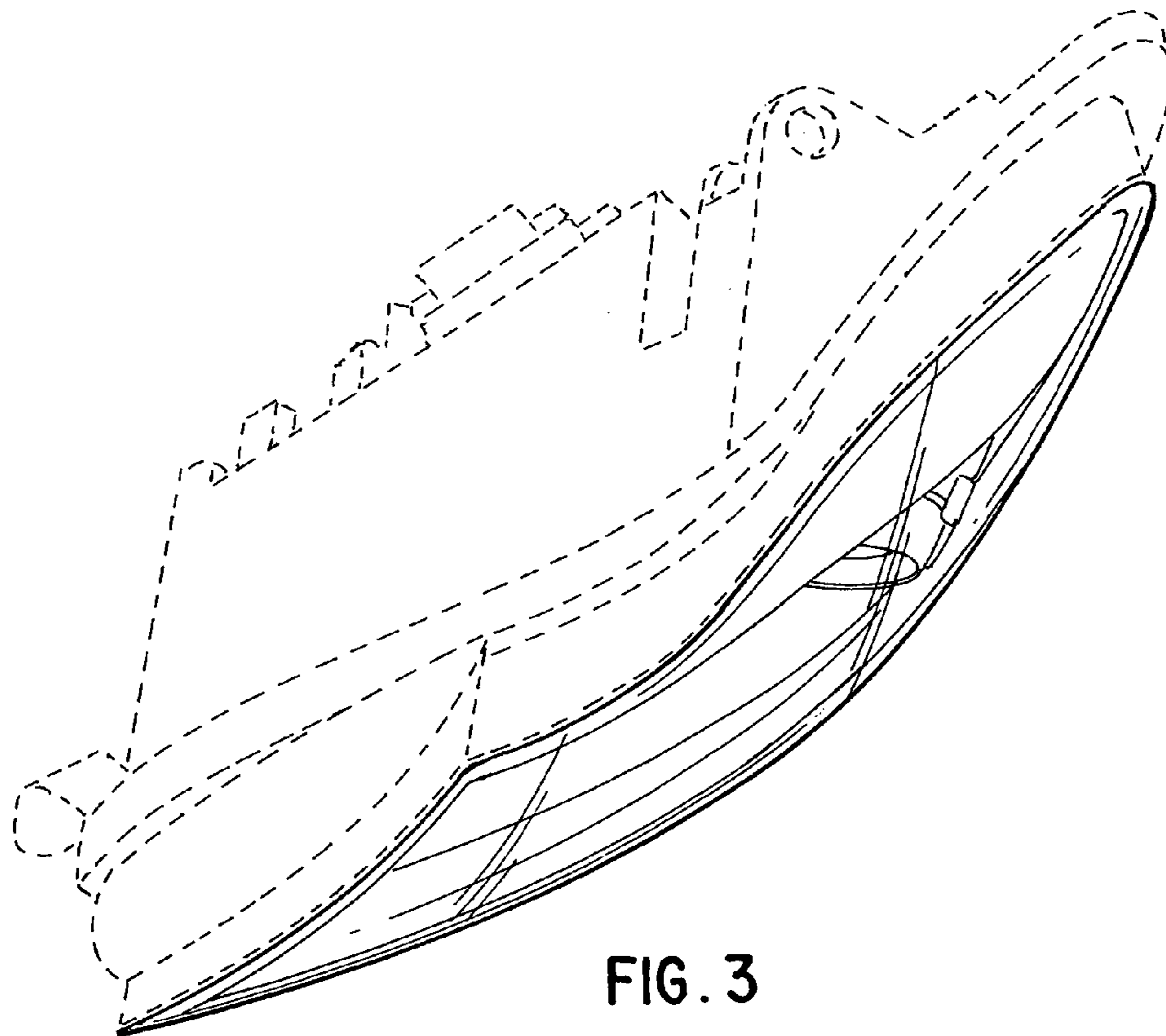


FIG. 3

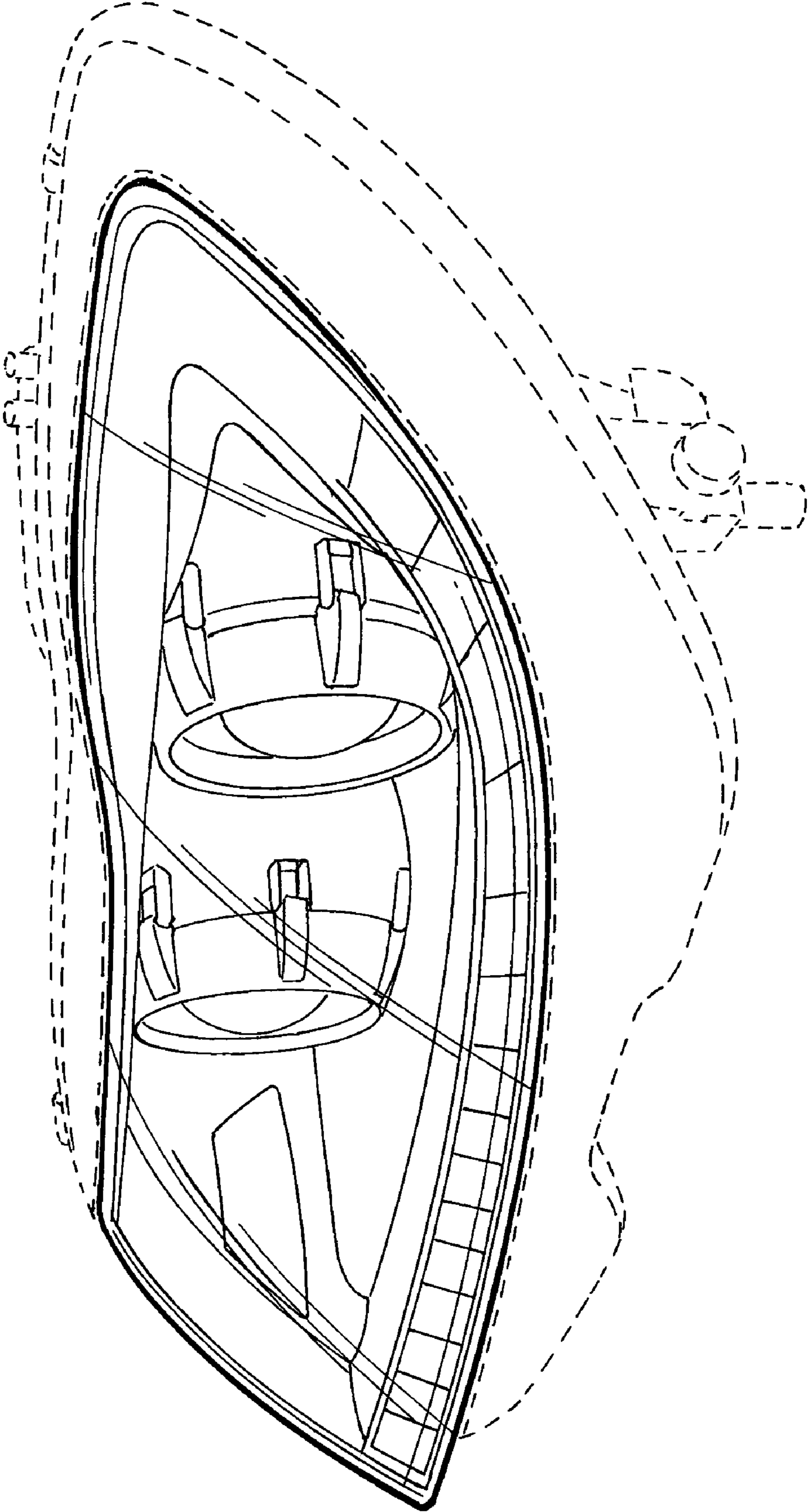


FIG. 4

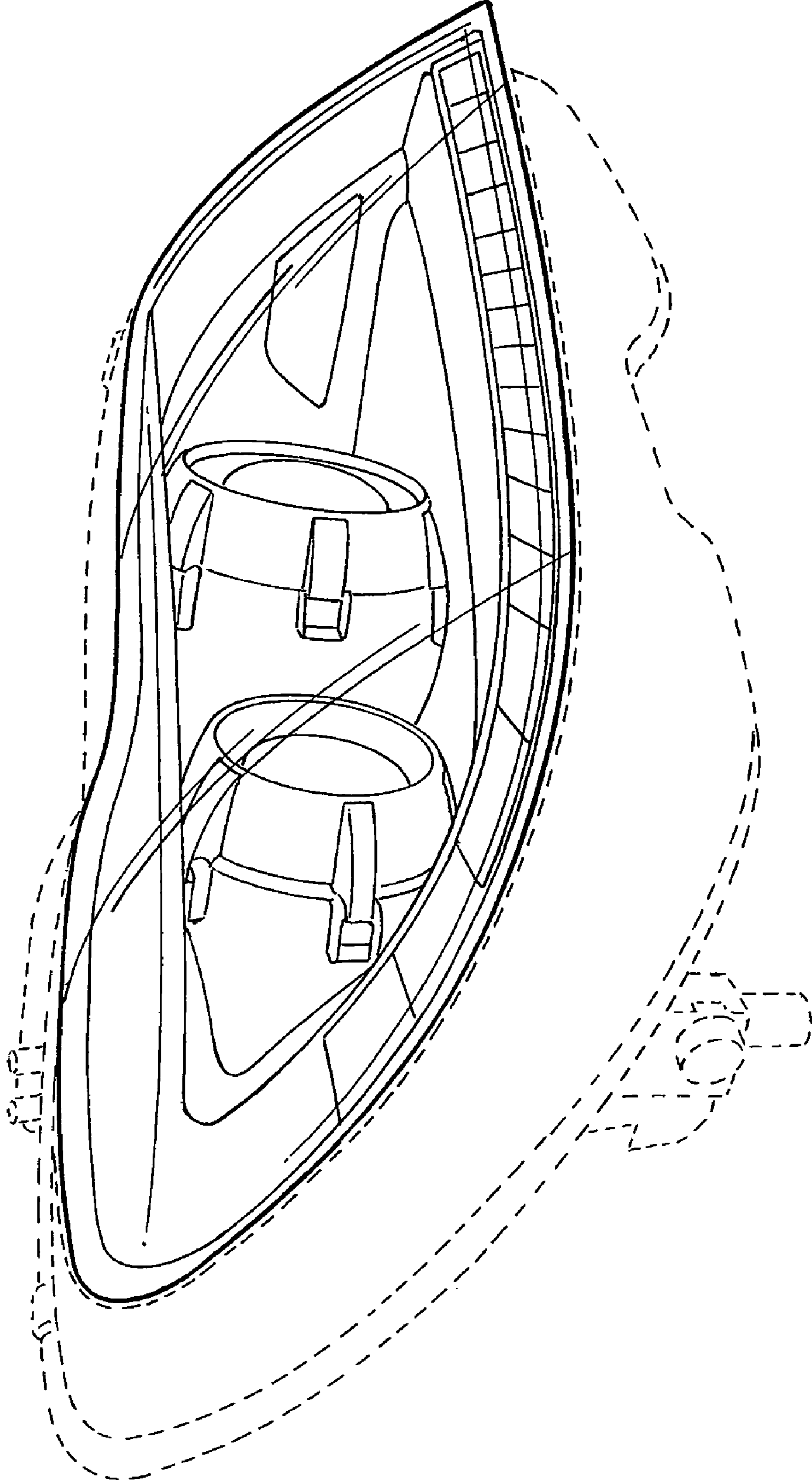


FIG. 5

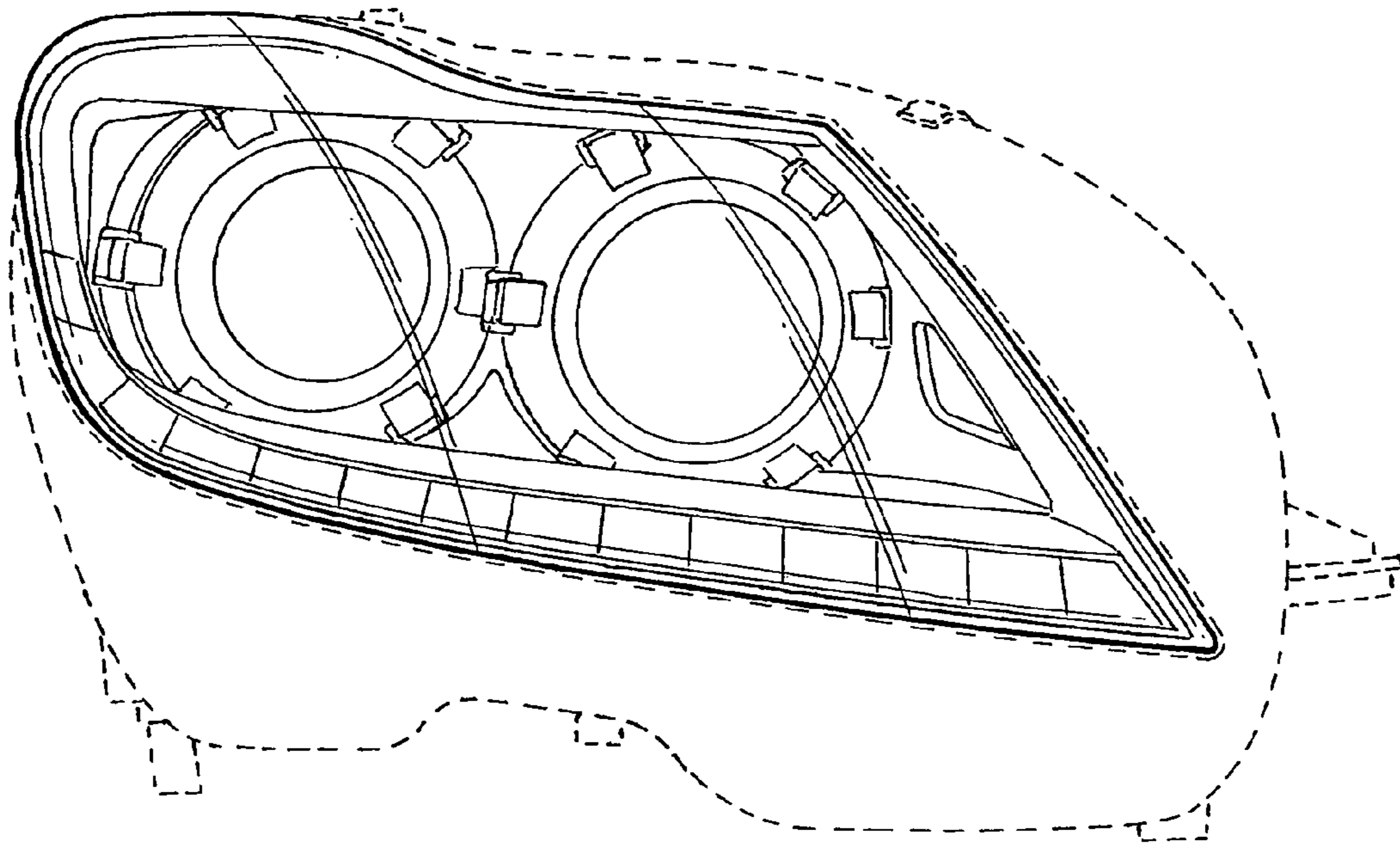


FIG. 6

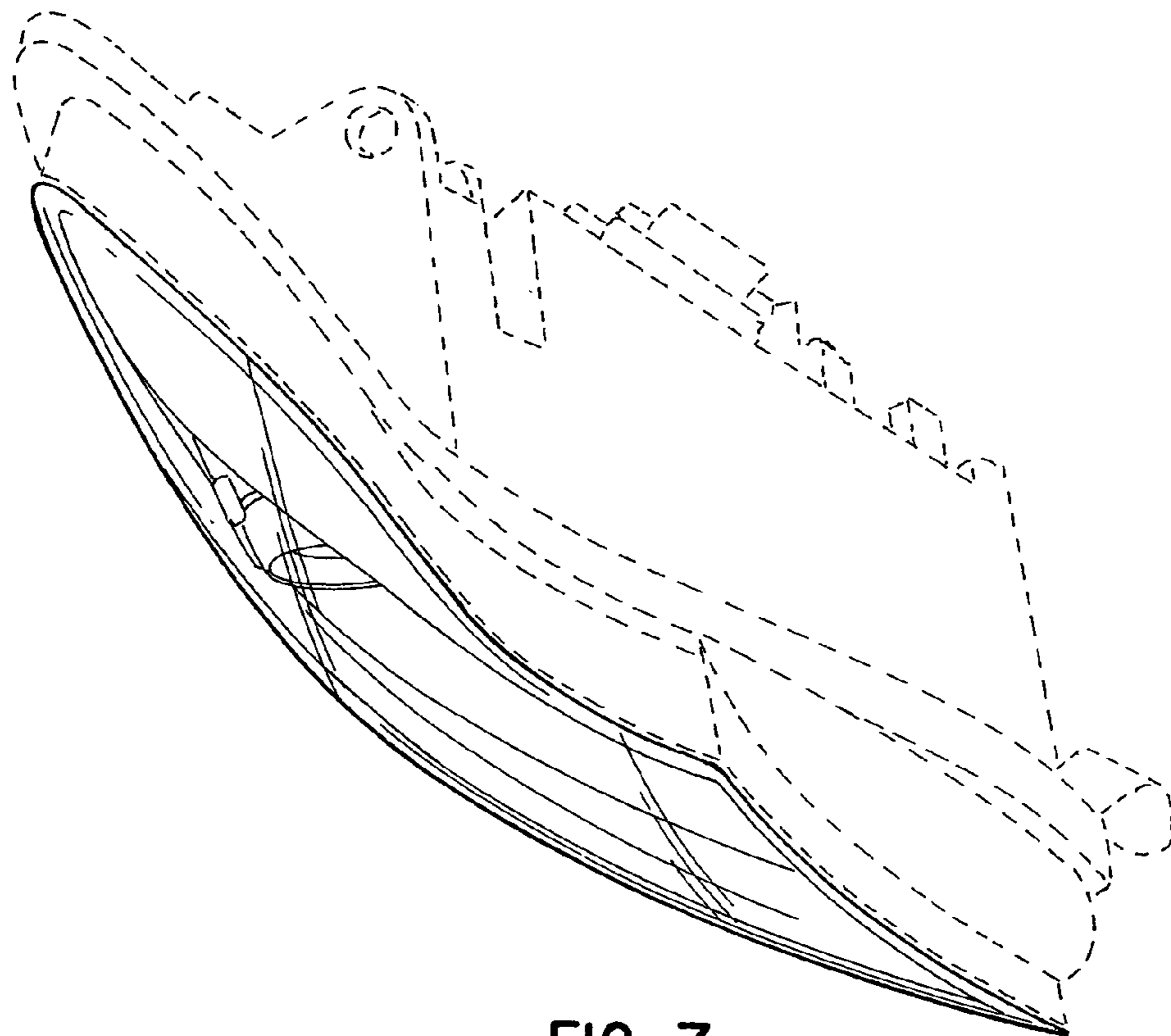


FIG. 7

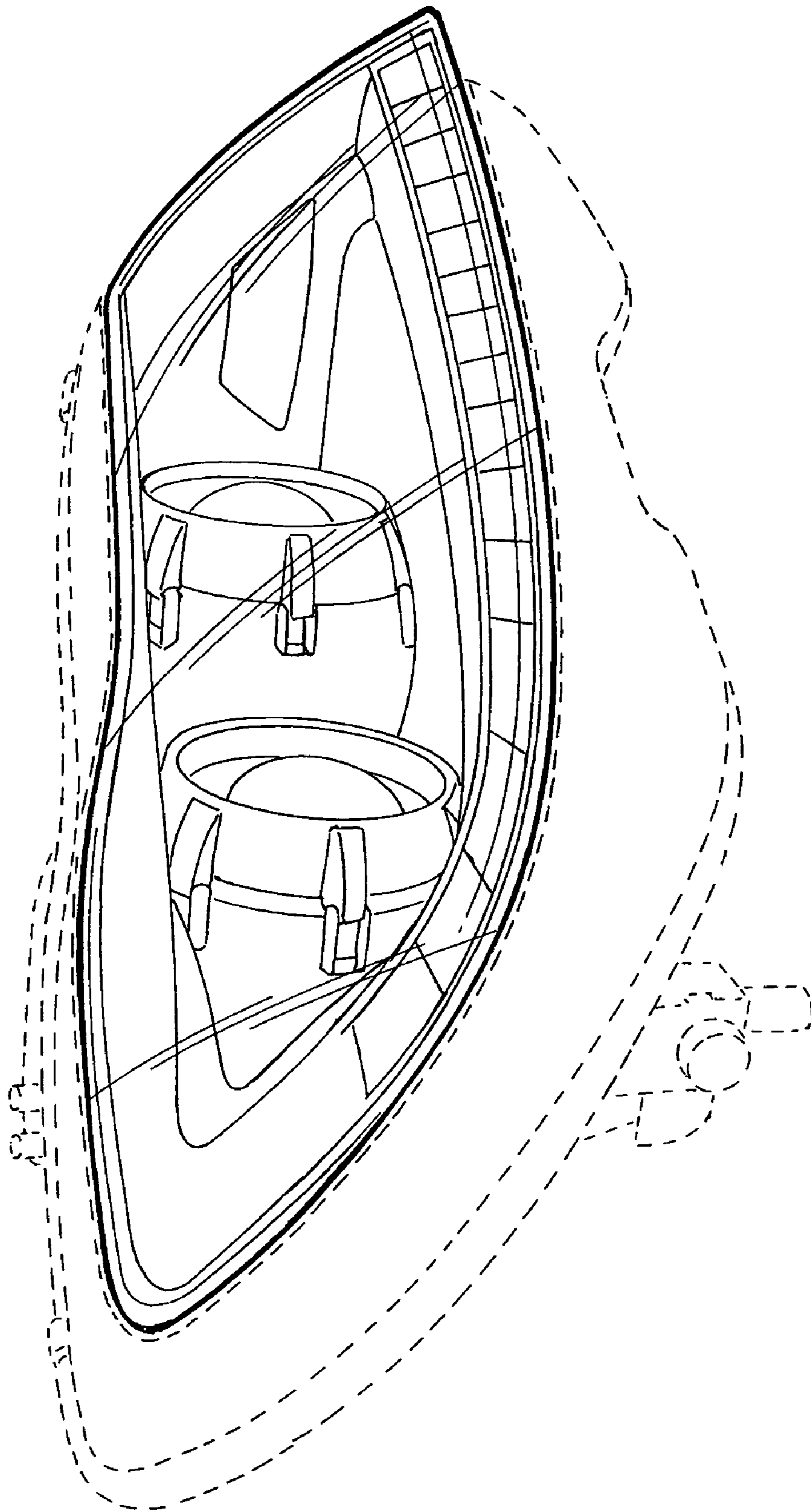


FIG. 8