



US00D626260S

(12) **United States Design Patent**
Wei

(10) **Patent No.:** **US D626,260 S**
(45) **Date of Patent:** **** Oct. 26, 2010**

(54) **LED LAMP**

D607,586 S * 1/2010 Ko D26/2

(75) Inventor: **Wen-Chen Wei**, Taipei (TW)

* cited by examiner

(73) Assignee: **Neng Tyi Precision Industries Co., Ltd.**, Taipei (TW)

Primary Examiner—Marcus A Jackson
(74) *Attorney, Agent, or Firm*—Muncy, Geissler, Olds & Lowe, PLLC

(**) Term: **14 Years**

(57) **CLAIM**

(21) Appl. No.: **29/355,066**

The ornamental design for a “LED lamp,” as shown and described.

(22) Filed: **Feb. 2, 2010**

(30) **Foreign Application Priority Data**

DESCRIPTION

Dec. 23, 2009 (TW) 98306199

FIG. 1 is a perspective view of a “LED lamp” showing my design;

(51) **LOC (9) Cl.** **26-04**

FIG. 2 is a front view thereof;

(52) **U.S. Cl.** **D26/2**

FIG. 3 is a rear view thereof;

(58) **Field of Classification Search** D26/1-4;
313/313, 315, 316, 317, 318, 493; 315/52,
315/53, 56, 57, 58

FIG. 4 is a left side view thereof;

FIG. 5 is a right side view thereof;

See application file for complete search history.

FIG. 6 is a top view thereof; and,

FIG. 7 is a bottom view thereof.

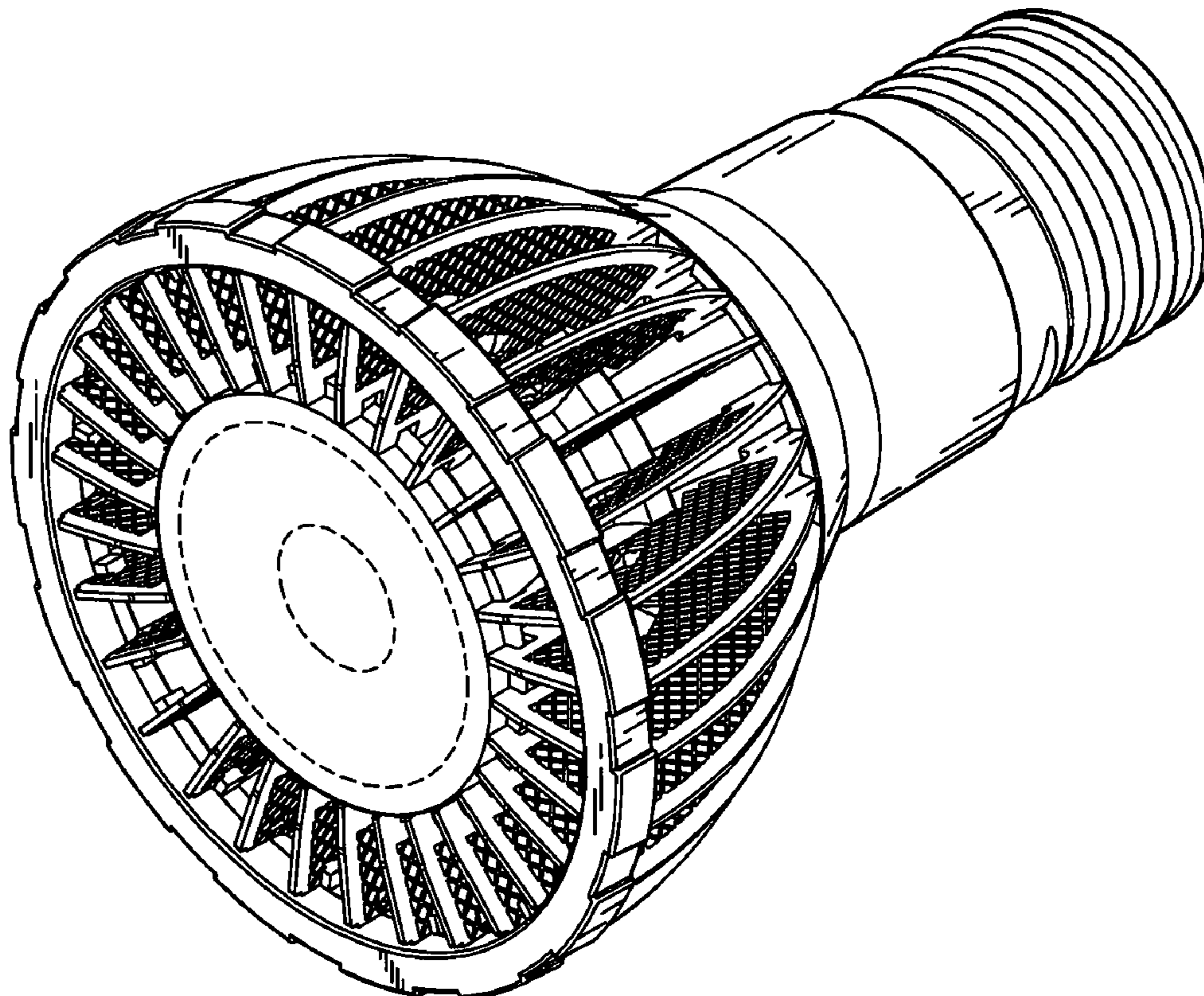
The dashed lines in the drawings are for illustrative purpose only and form no part of the claimed design.

(56) **References Cited**

U.S. PATENT DOCUMENTS

D582,578 S * 12/2008 Tsai et al. D26/2
D601,279 S * 9/2009 Ou et al. D26/2

1 Claim, 5 Drawing Sheets



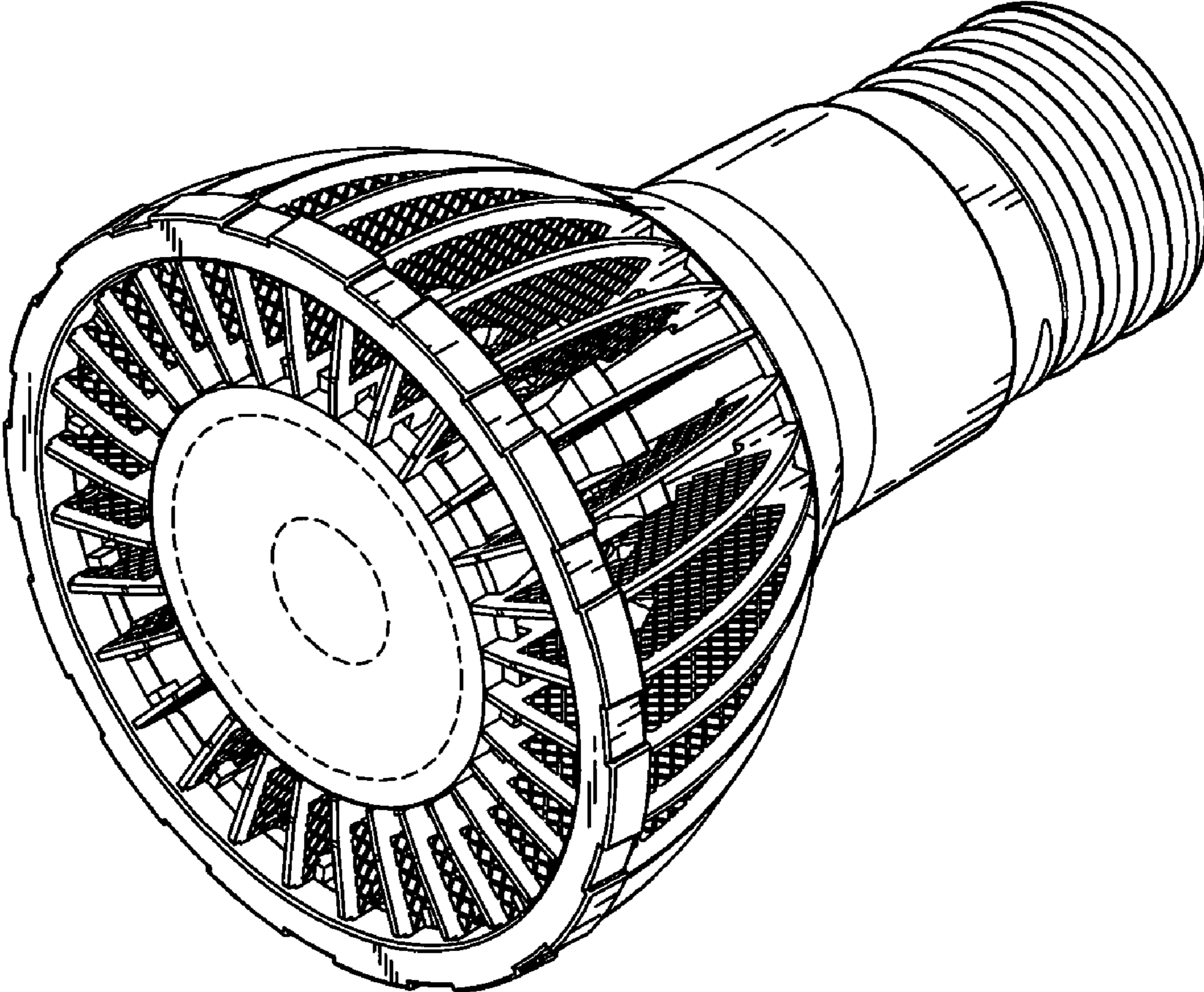


FIG. 1

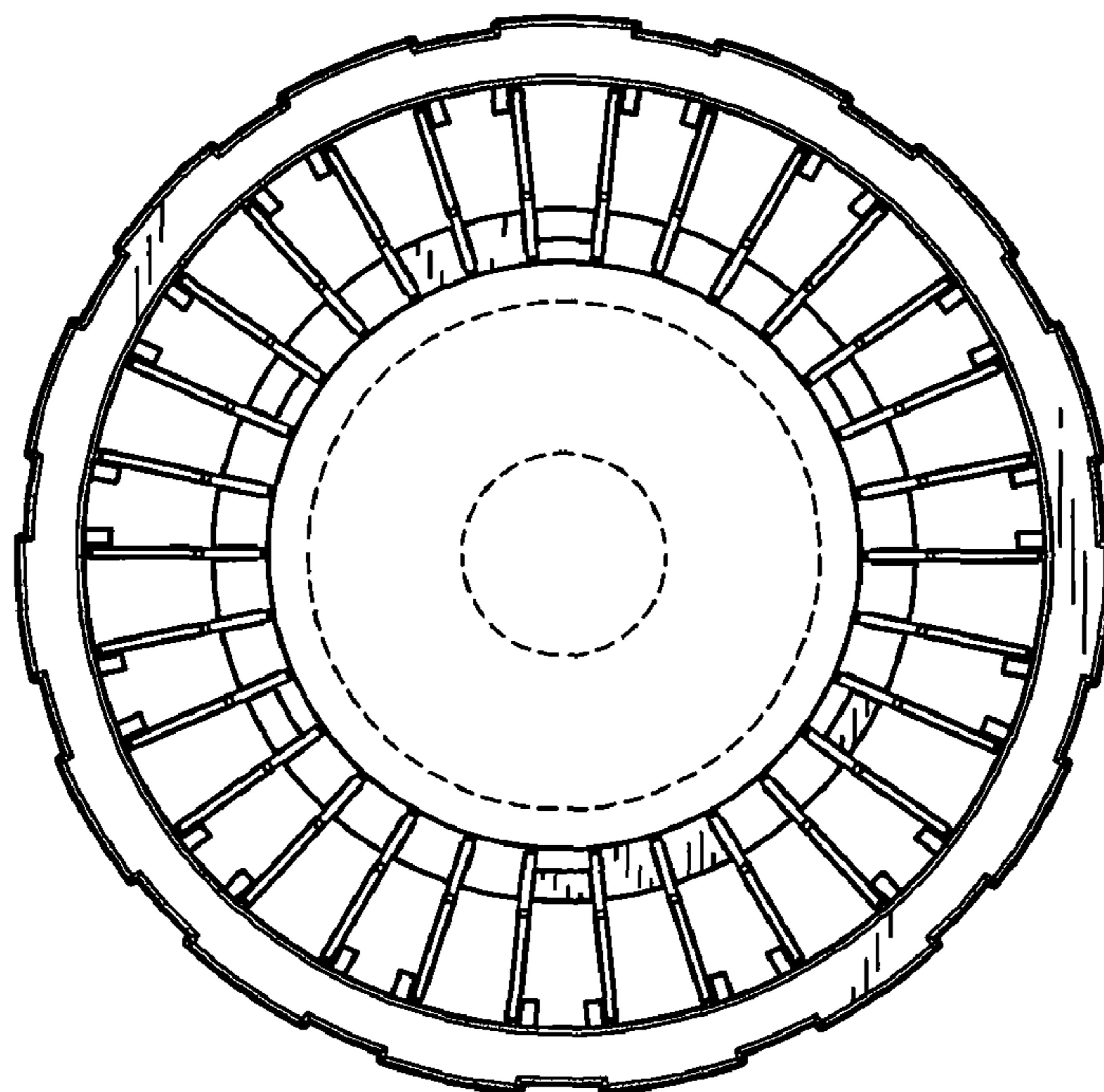


FIG. 2

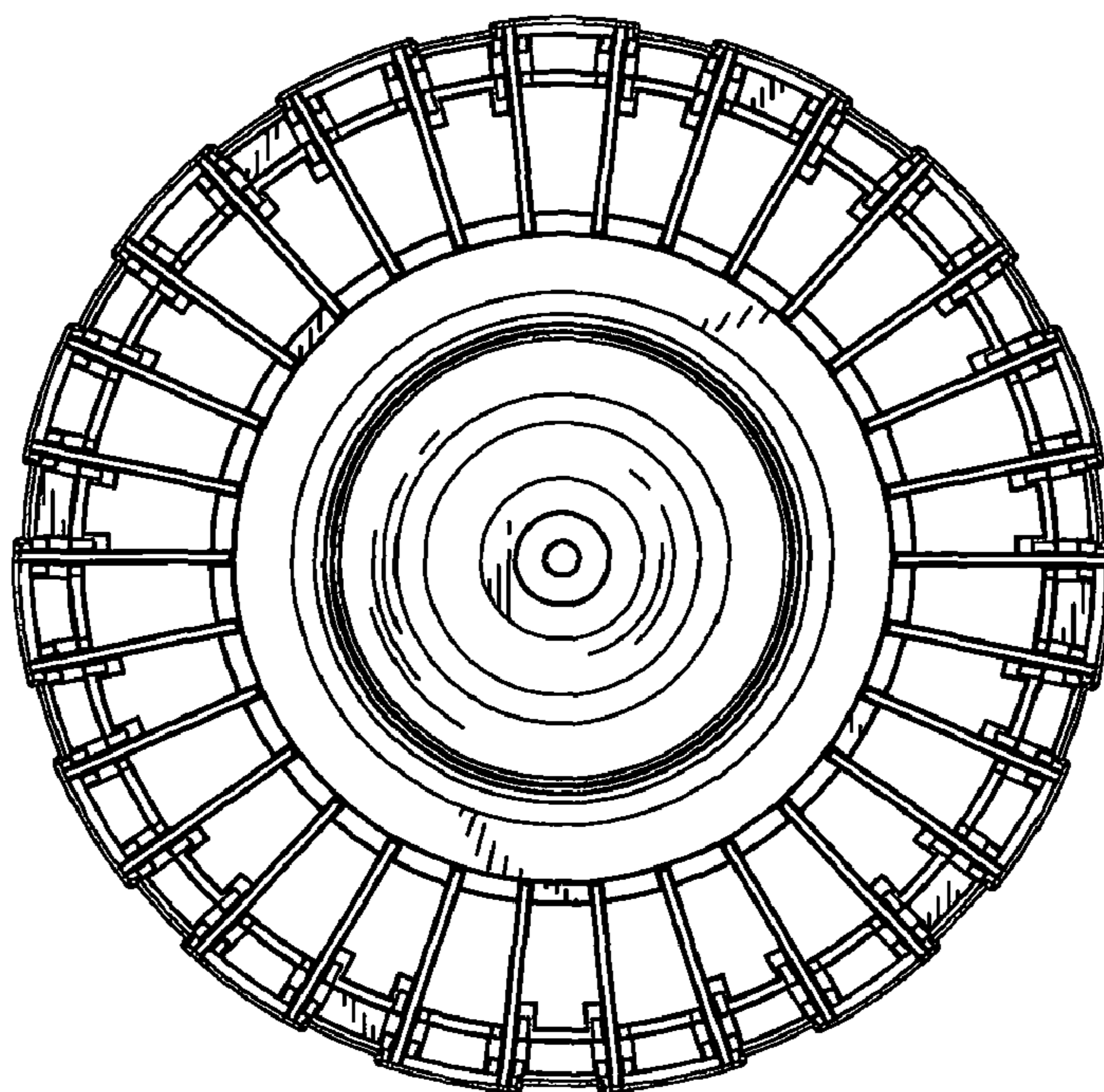


FIG. 3

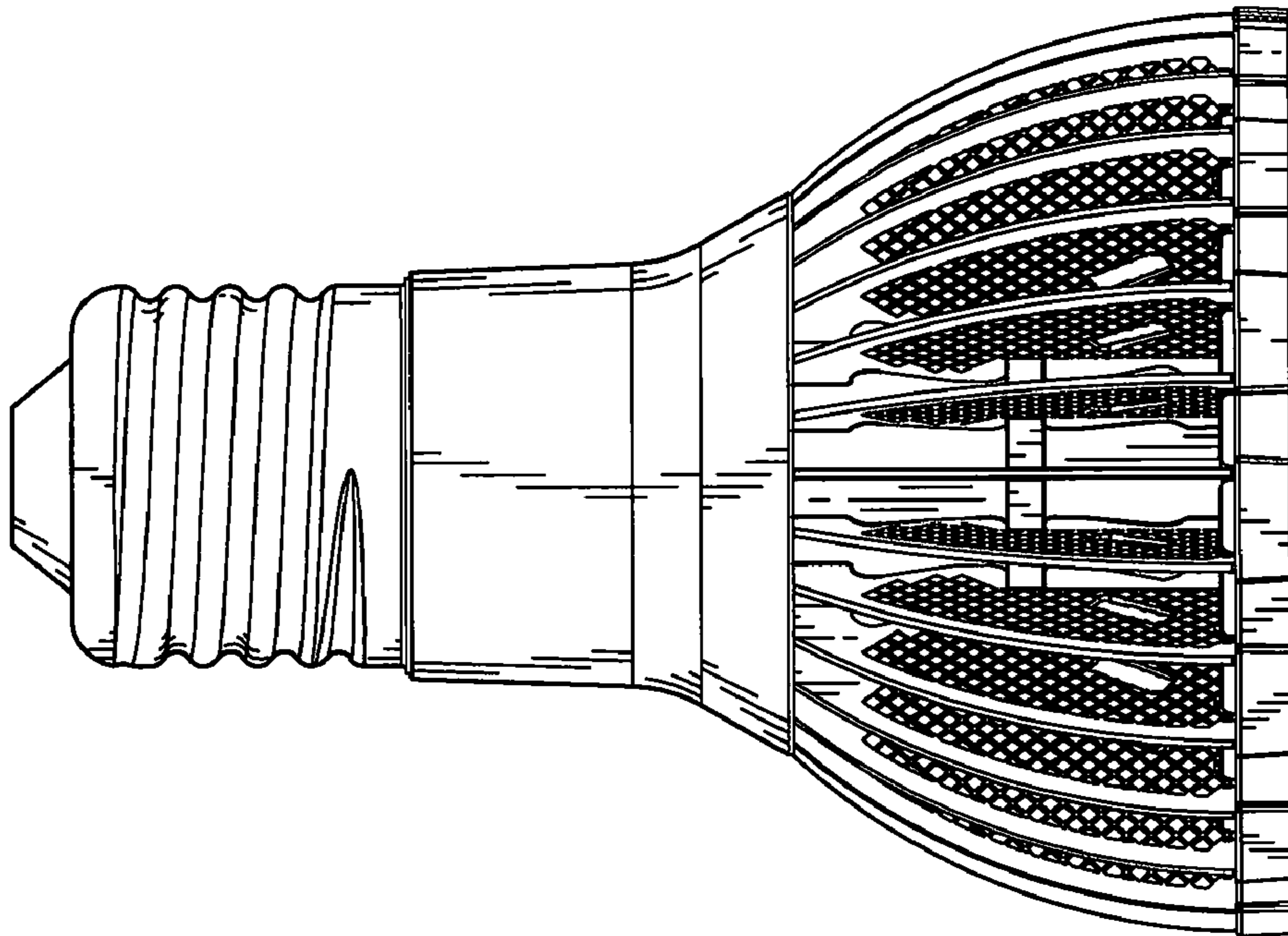


FIG. 4

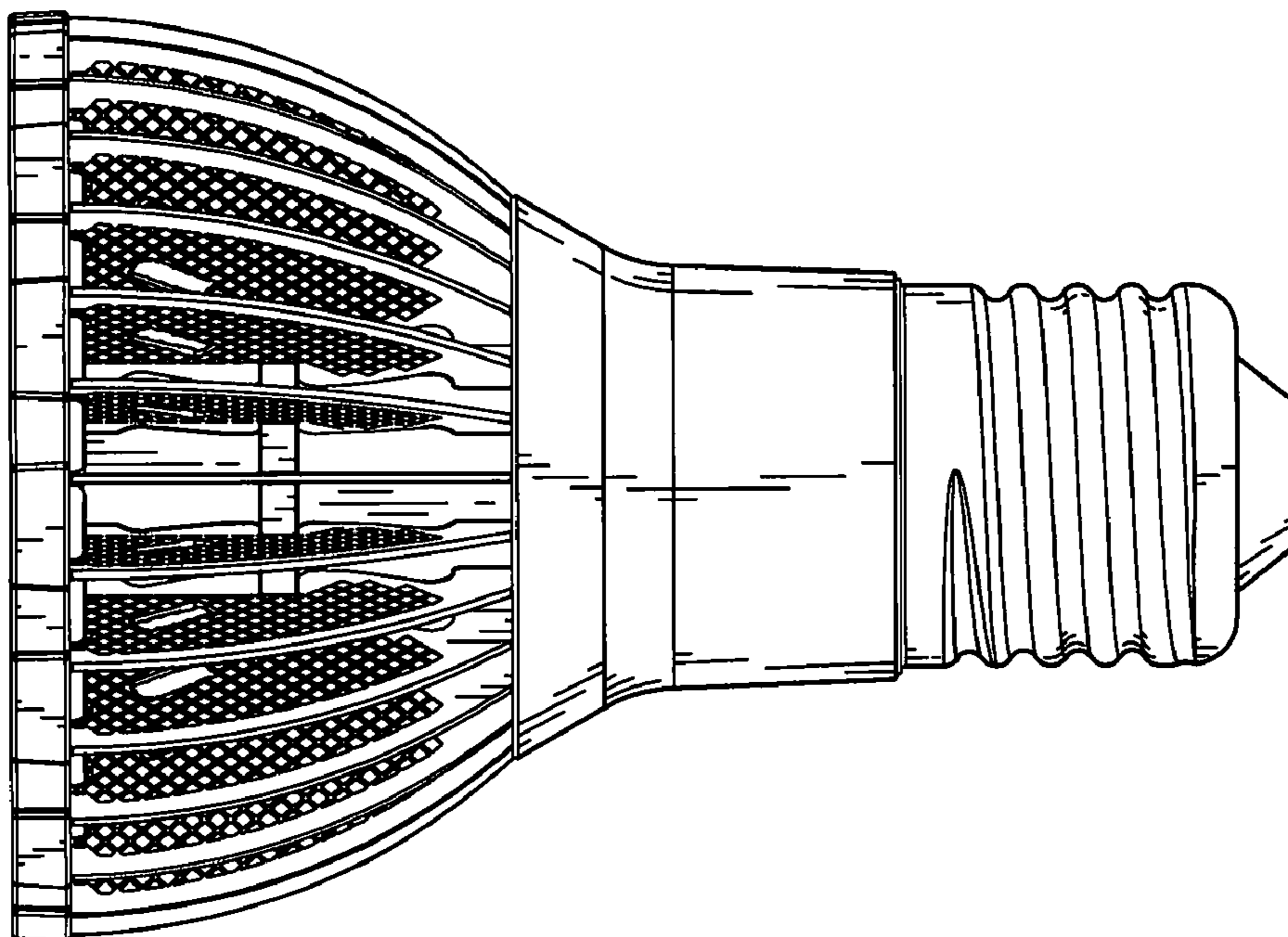


FIG. 5

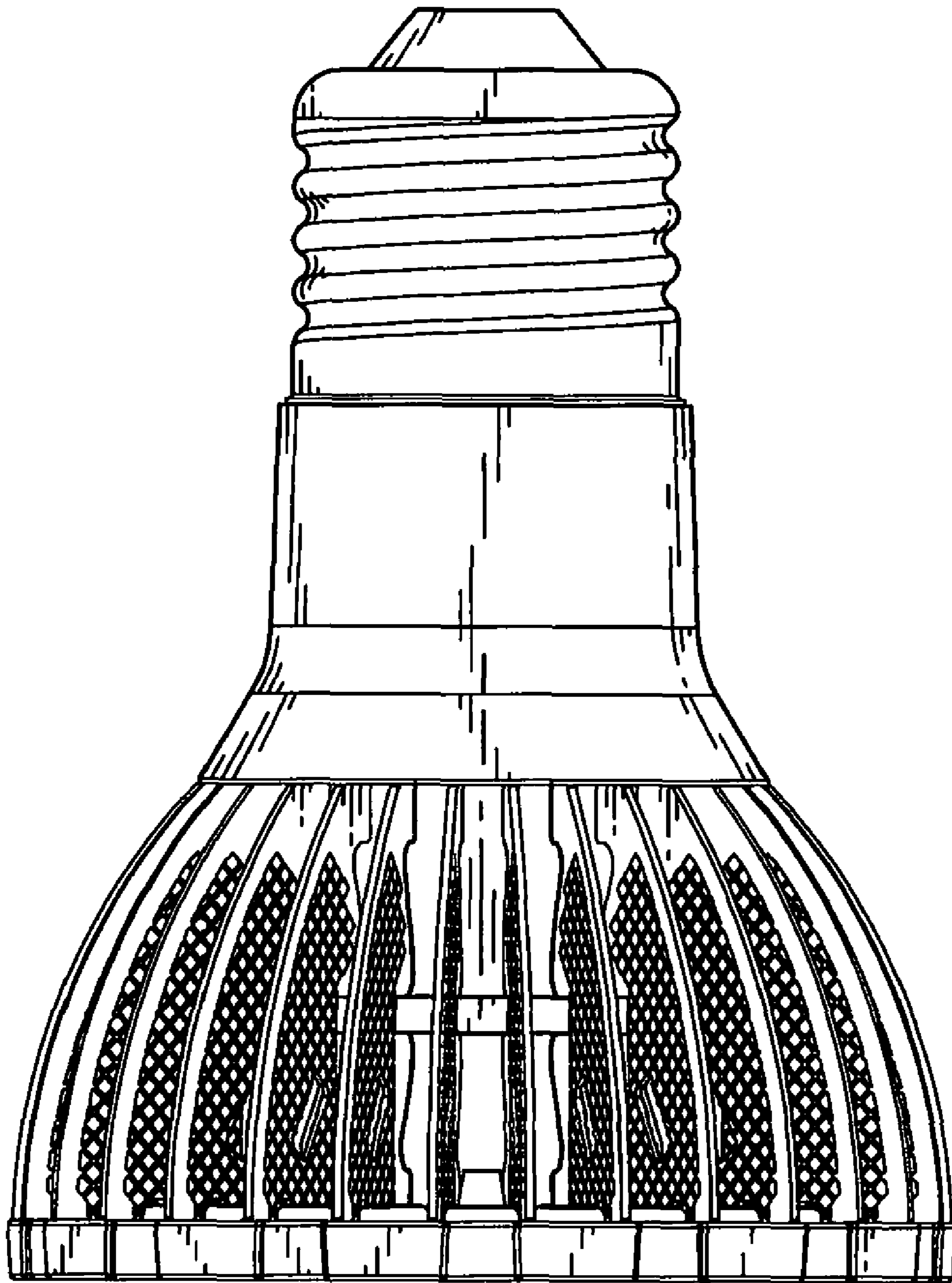


FIG. 6

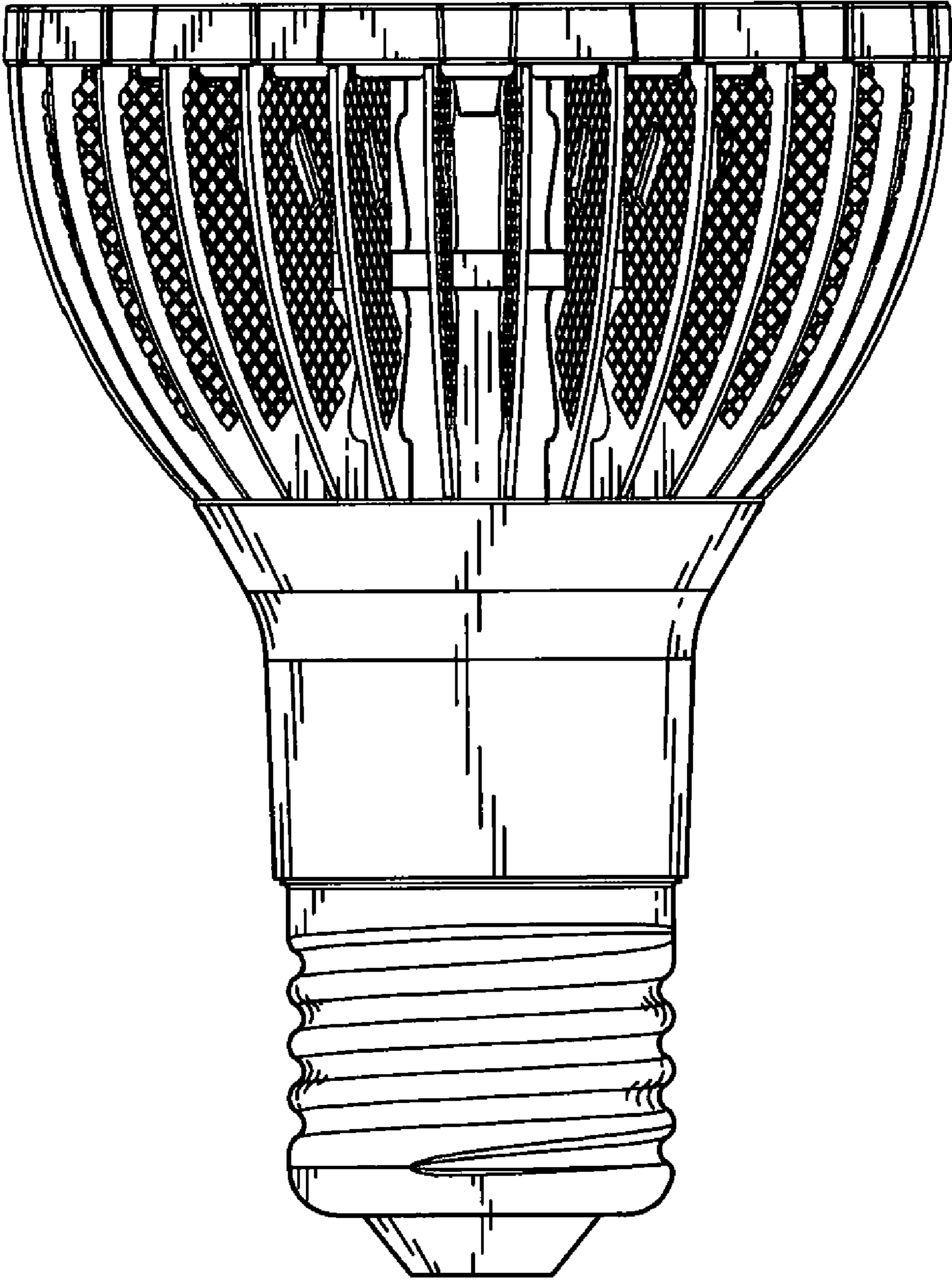


FIG. 7