



US00D626259S

(12) **United States Design Patent**
Mathew et al.

(10) **Patent No.:** **US D626,259 S**
(45) **Date of Patent:** **** Oct. 26, 2010**

(54) **PIN-BASE PAR LAMP**

D610,271 S * 2/2010 Bi D26/2

(75) Inventors: **Anu Mathew**, Lynnfield, MA (US);
Brent Eastwood, Lexington, KY (US)

(73) Assignee: **OSRAM SYLVANIA Inc.**, Danvers,
MA (US)

(**) Term: **14 Years**

(21) Appl. No.: **29/349,058**

(22) Filed: **Mar. 4, 2010**

(51) **LOC (9) Cl.** **26-04**

(52) **U.S. Cl.** **D26/2**

(58) **Field of Classification Search** D26/1-4;
313/313, 315, 316, 317, 318, 493; 315/52,
315/53, 56, 57, 58

See application file for complete search history.

(56) **References Cited**

U.S. PATENT DOCUMENTS

4,338,540	A	7/1982	Sovilla	
4,654,560	A	3/1987	Cote	
D303,156	S	8/1989	Chakrabarti et al.	
4,888,517	A	12/1989	Keeffe et al.	
5,218,261	A	6/1993	Stark	
5,239,233	A	8/1993	Nilssen	
5,356,314	A	10/1994	Aota	
D398,407	S	9/1998	O'Connell et al.	
D421,112	S	2/2000	Clement et al.	
D433,166	S	10/2000	Noll	
D435,577	S *	12/2000	McBride D16/203
6,445,133	B1	9/2002	Lin et al.	
D498,310	S	11/2004	Gagnon	
6,919,684	B2	7/2005	Brandes	
D532,532	S *	11/2006	Maxik D26/2
7,166,964	B2	1/2007	Weyhrauch	
D539,443	S	3/2007	Kwong	
D566,300	S *	4/2008	Lo D26/2
D581,555	S *	11/2008	To et al. D26/2
D584,838	S *	1/2009	To et al. D26/2
D587,823	S	3/2009	Li et al.	

OTHER PUBLICATIONS

Article "GU-24 Goes Mainstream", Primous, C., available at website www.energystar.gov visited Dec. 8, 2009 (1 page).

Sales sheet of A19-Type CFL fluorescent lamps marketed by Green Electrical Supply shown on website www.greenelectricalsupply.com visited Dec. 8, 2009 (2 pgs.).

Technical bulletin for GU-24 Type CFL-R40 and CFL-R30 lamps of Neptun Light, Inc. copr. 2008, on website www.neptunlight.com visited Dec. 11, 2009 (1 page).

Sylvania A19 "Capsylite" Halogen Light Bulb depicted on website www.elightbulbs.com visited Jul. 16, 2009 (1 pg.).

Sylvania 60 Watt A19 Base Clear Daylight Halogen Incandescent lamp shown on Service Lighting website www.servicelighting.com visited Jul. 16, 2009 (1 page).

"Coilight" GU24 Base CFL lamp shown on Ushio company website www.ushio.com visited Dec. 11, 2009 (1 pg.).

Handbook "Energy Star (R) sales associate training GU24 lamp base", EPA, on website energystar.gov visited Dec. 11, 2009 (13 pages).

Osram Sylvania PAR38 lamp on sale in United States since more than 1 year prior to application's filing date, Prior to Mar. 4, 2010.

* cited by examiner

Primary Examiner—Marcus A Jackson

(74) *Attorney, Agent, or Firm*—Edward S. Podszus

(57) **CLAIM**

The ornamental design for a pin-base PAR lamp, as shown and described.

DESCRIPTION

FIG. 1 is a front view of the new design, the opposite rear view being the same;

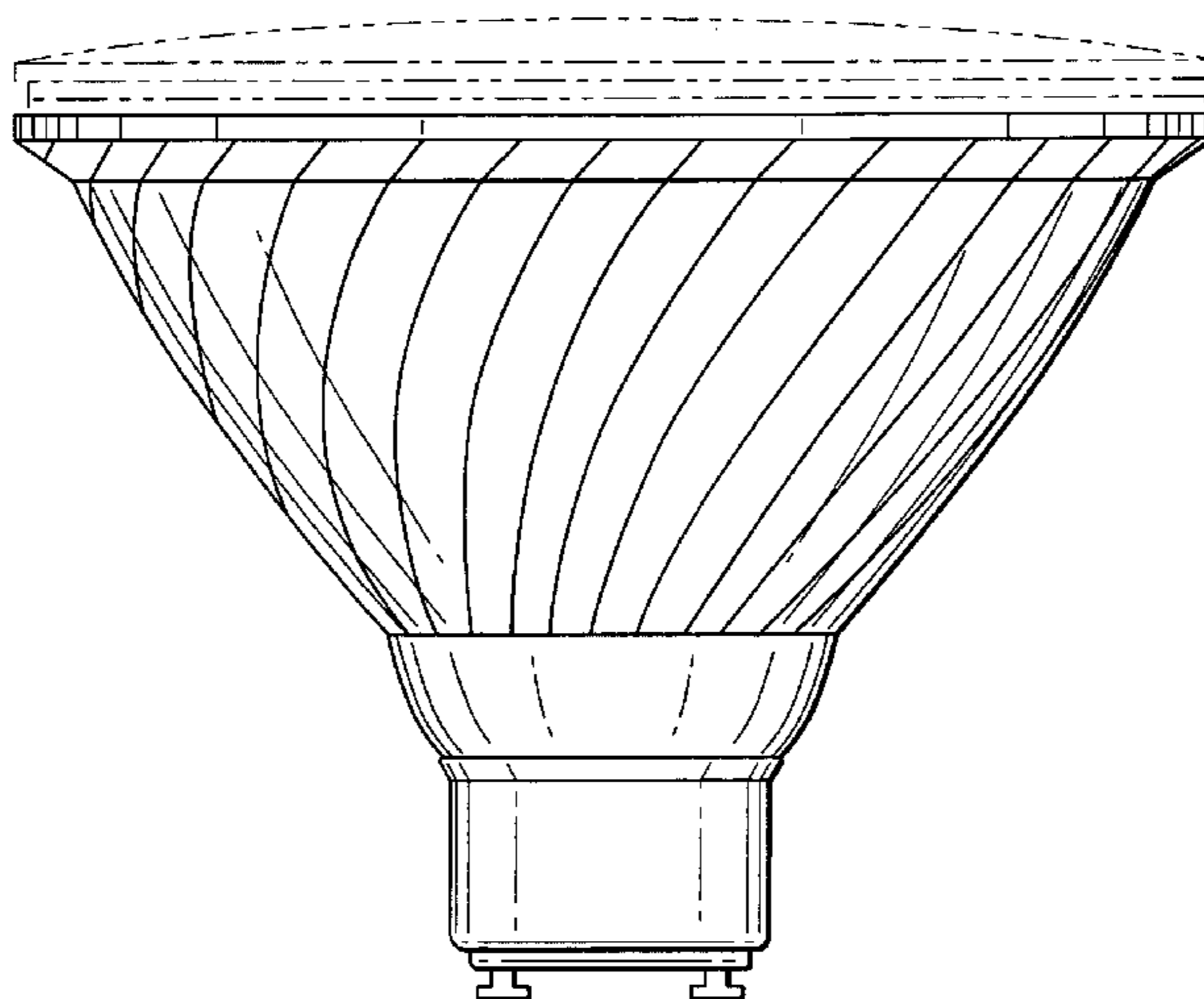
FIG. 2 is a top plan view thereof;

FIG. 3 is a bottom plan view thereof; and,

FIG. 4 is a side view thereof, the opposite side view being the same.

The broken line disclosure is for environmental purposes only and does not form a part of the claimed design.

1 Claim, 4 Drawing Sheets



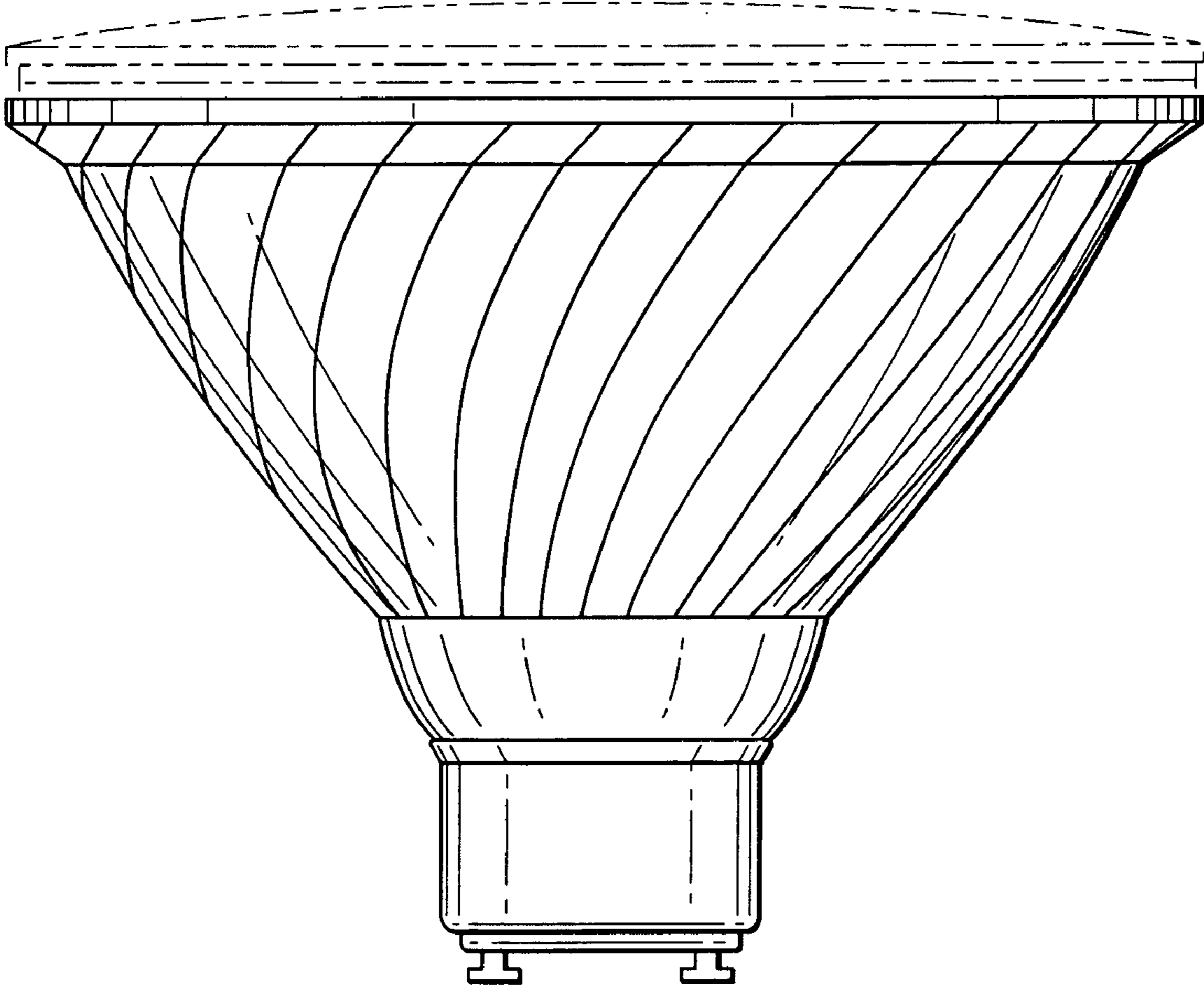


FIG. 1

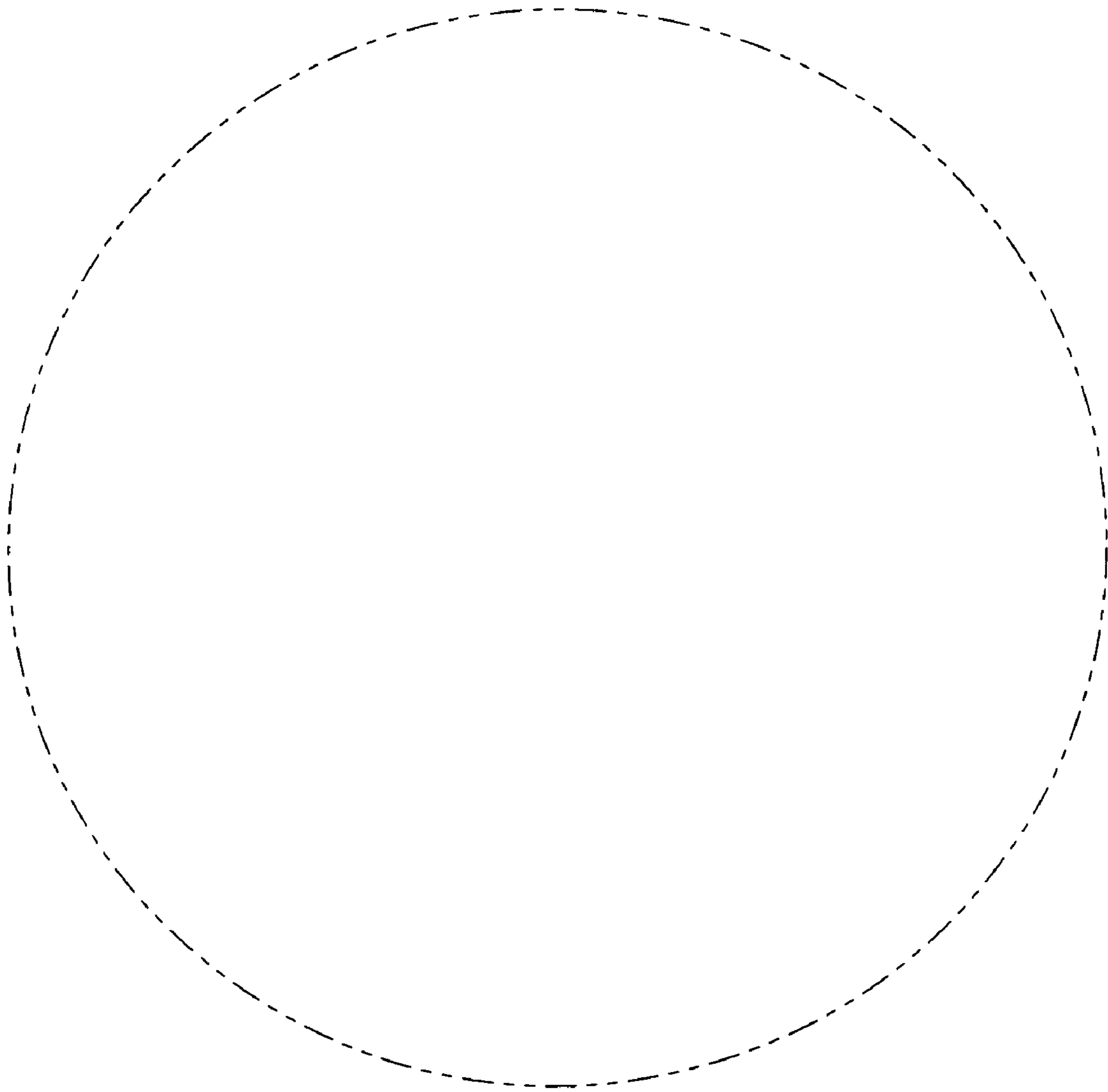


FIG. 2

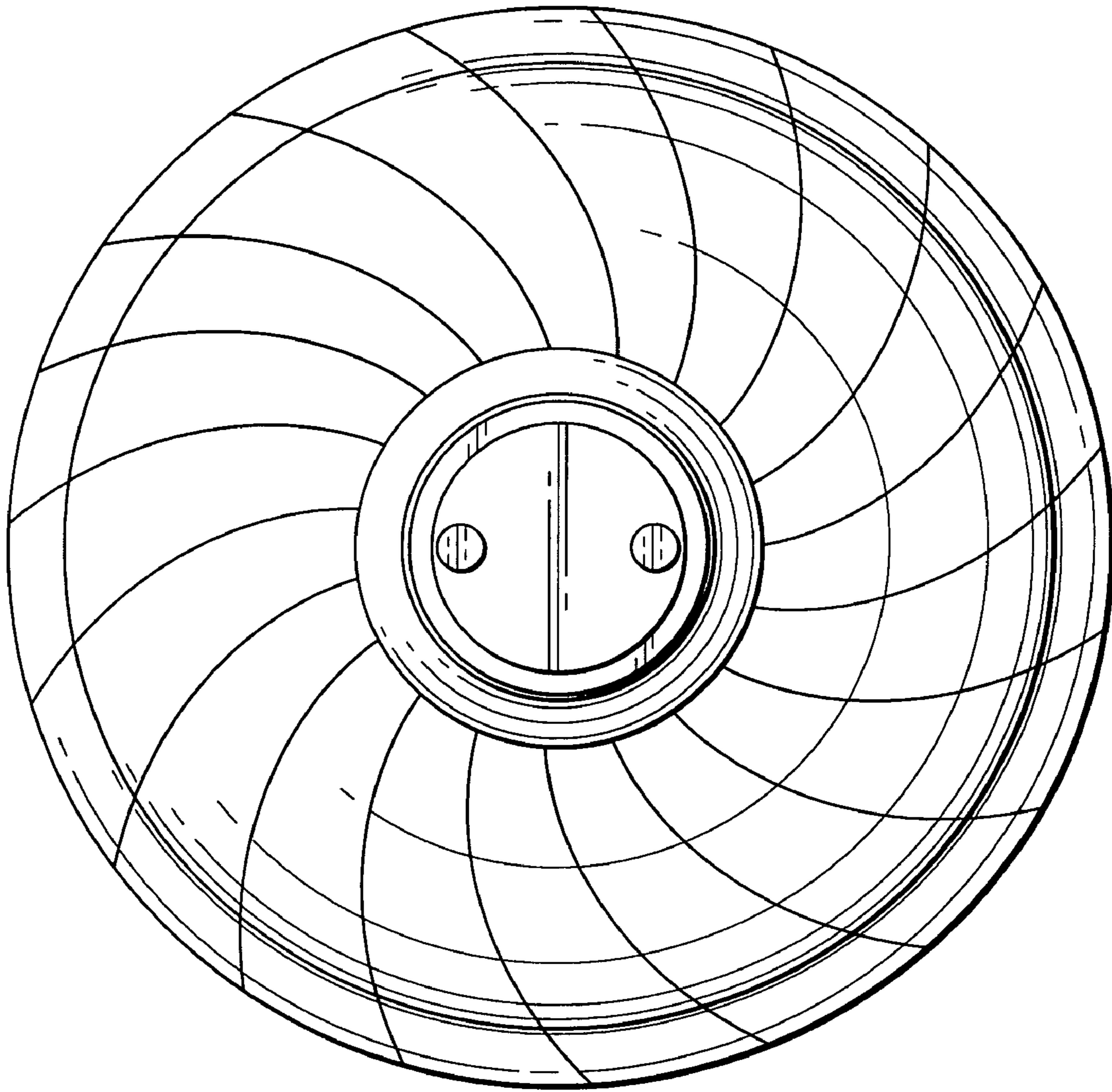


FIG. 3

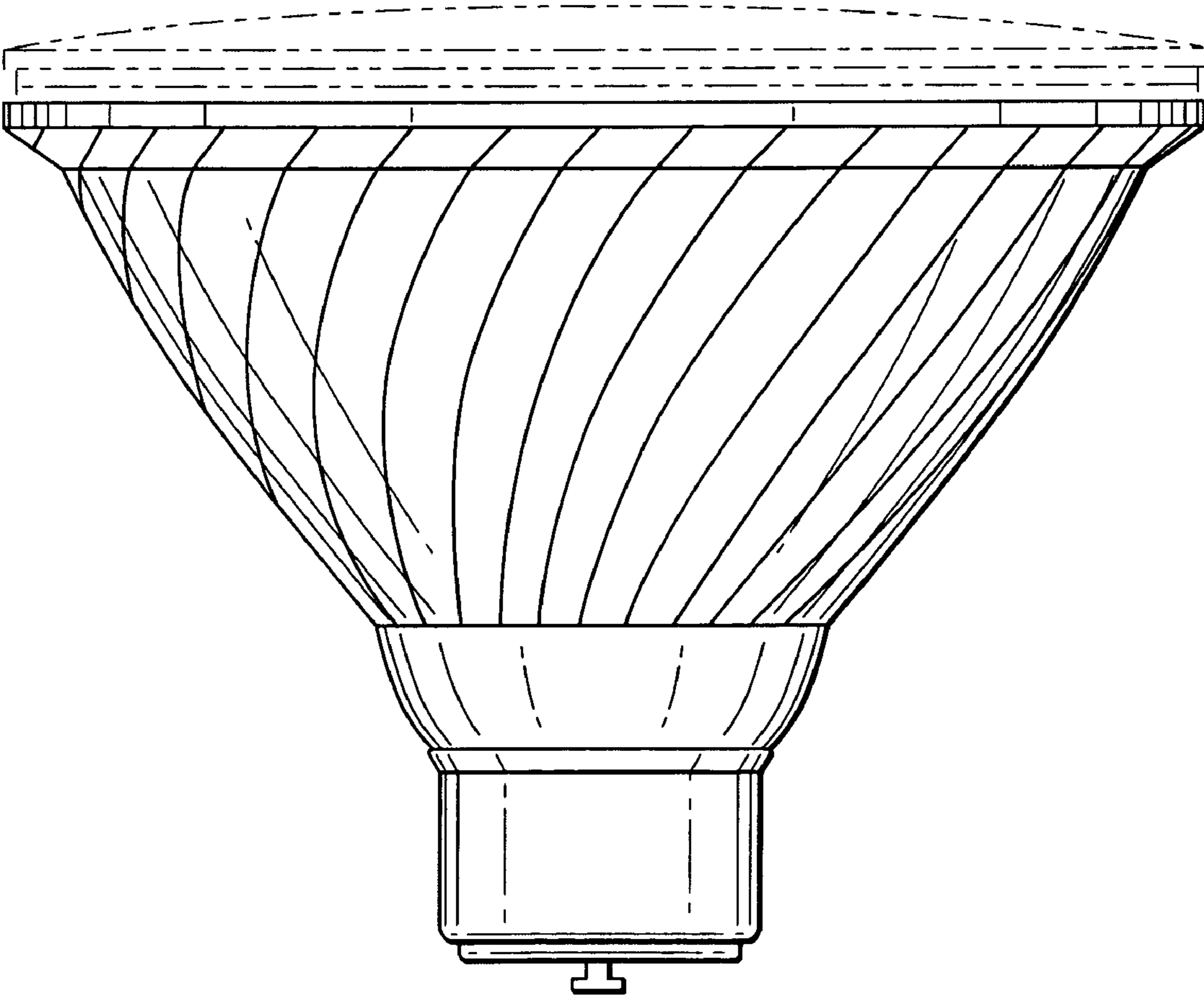


FIG. 4