



US00D626257S

(12) **United States Design Patent**
Pickard

(10) **Patent No.:** **US D626,257 S**

(45) **Date of Patent:** **** Oct. 26, 2010**

(54) **LAMP**

(75) Inventor: **Paul Kenneth Pickard**, Morrisville, NC
(US)

(73) Assignee: **Cree, Inc.**, Durham, NC (US)

(**) Term: **14 Years**

(21) Appl. No.: **29/346,183**

(22) Filed: **Oct. 28, 2009**

Related U.S. Application Data

(63) Continuation-in-part of application No. 12/582,206,
filed on Oct. 20, 2009.

(51) **LOC (9) Cl.** **26-04**

(52) **U.S. Cl.** **D26/2**

(58) **Field of Classification Search** D26/1-4;
313/313, 315, 316, 317, 318, 493; 315/52,
315/53, 56, 57, 58

See application file for complete search history.

(56) **References Cited**

U.S. PATENT DOCUMENTS

D541,440 S * 4/2007 Feit D26/2

D581,556 S * 11/2008 To et al. D26/2
D590,523 S * 4/2009 Takahashi D26/2
D598,143 S * 8/2009 Gerritsen D26/2
D600,368 S * 9/2009 Bertram et al. D26/2
D602,614 S * 10/2009 Takahashi et al. D26/2

* cited by examiner

Primary Examiner—Marcus A Jackson

(74) *Attorney, Agent, or Firm*—Burr & Brown

(57) **CLAIM**

The ornamental design for a lamp, as shown and described.

DESCRIPTION

FIG. 1 is a front view of the lamp in accordance with my new design; the back side view being identical to the front view;

FIG. 2 is a right side view of the lamp in accordance with my new design; the left side view being identical to the right side view;

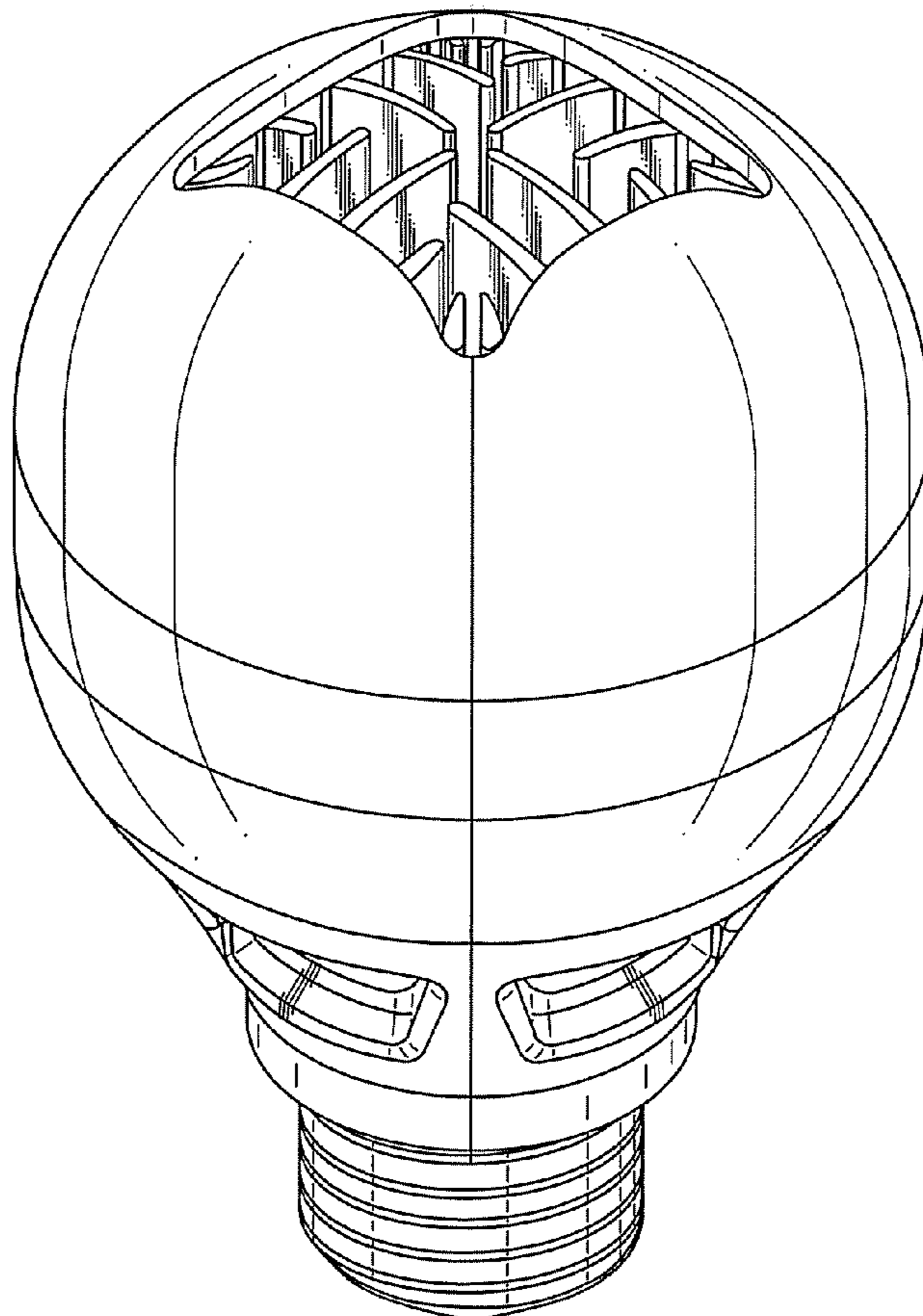
FIG. 3 is a first perspective view thereof;

FIG. 4 is a second perspective view thereof.

FIG. 5 is a top view thereof; and,

FIG. 6 is a bottom view thereof.

1 Claim, 5 Drawing Sheets



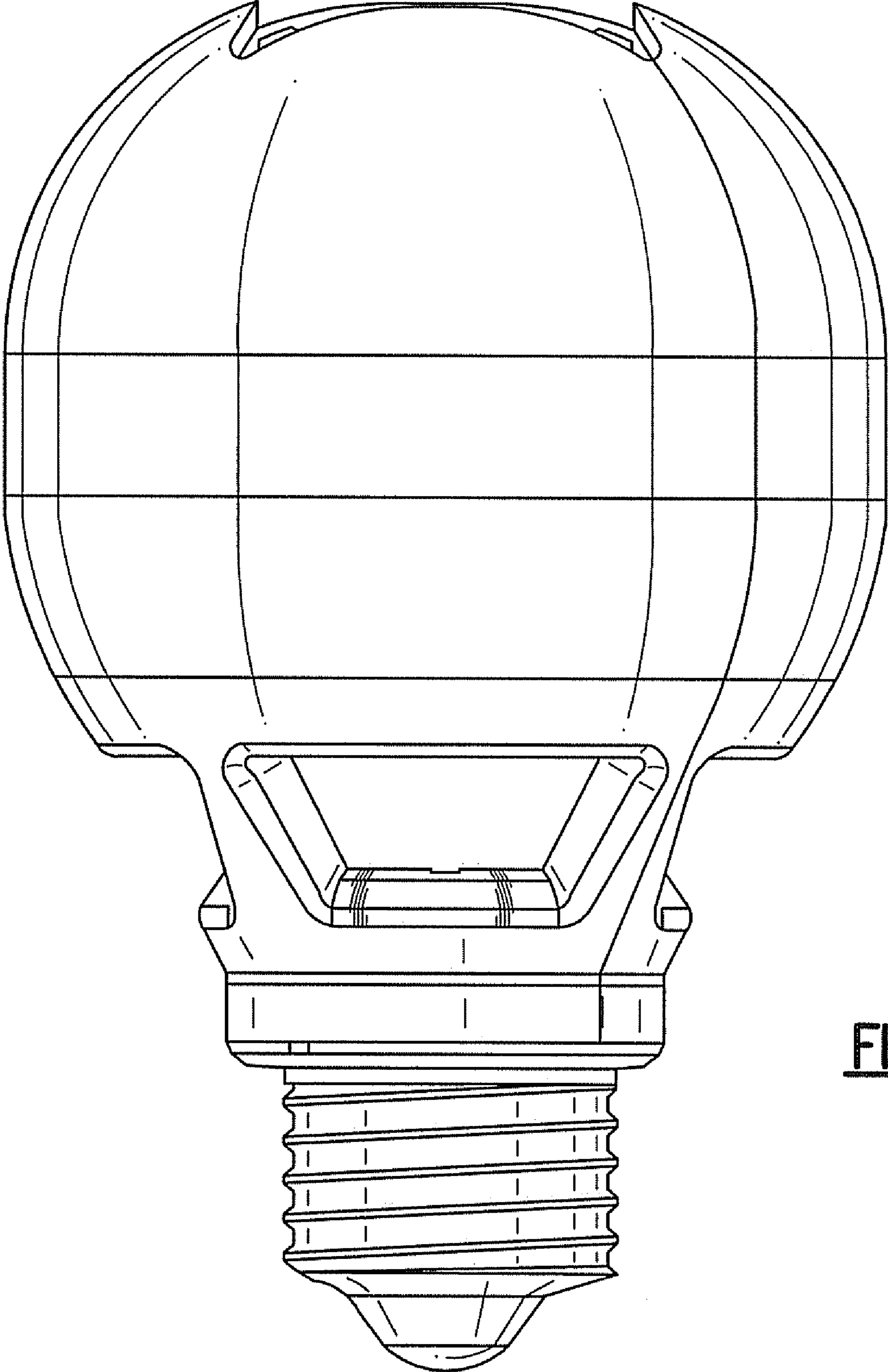


FIG. 1

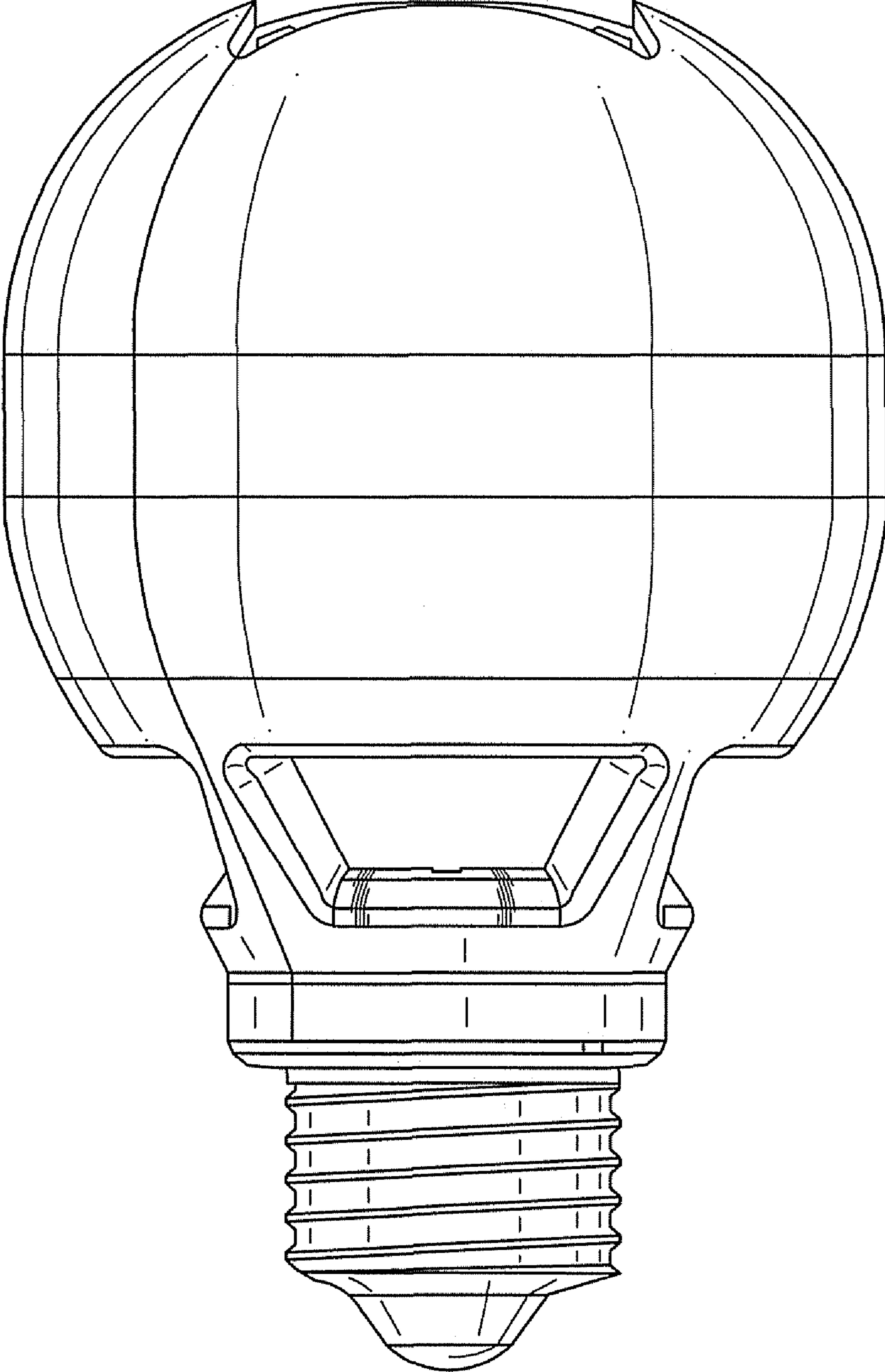


FIG. 2

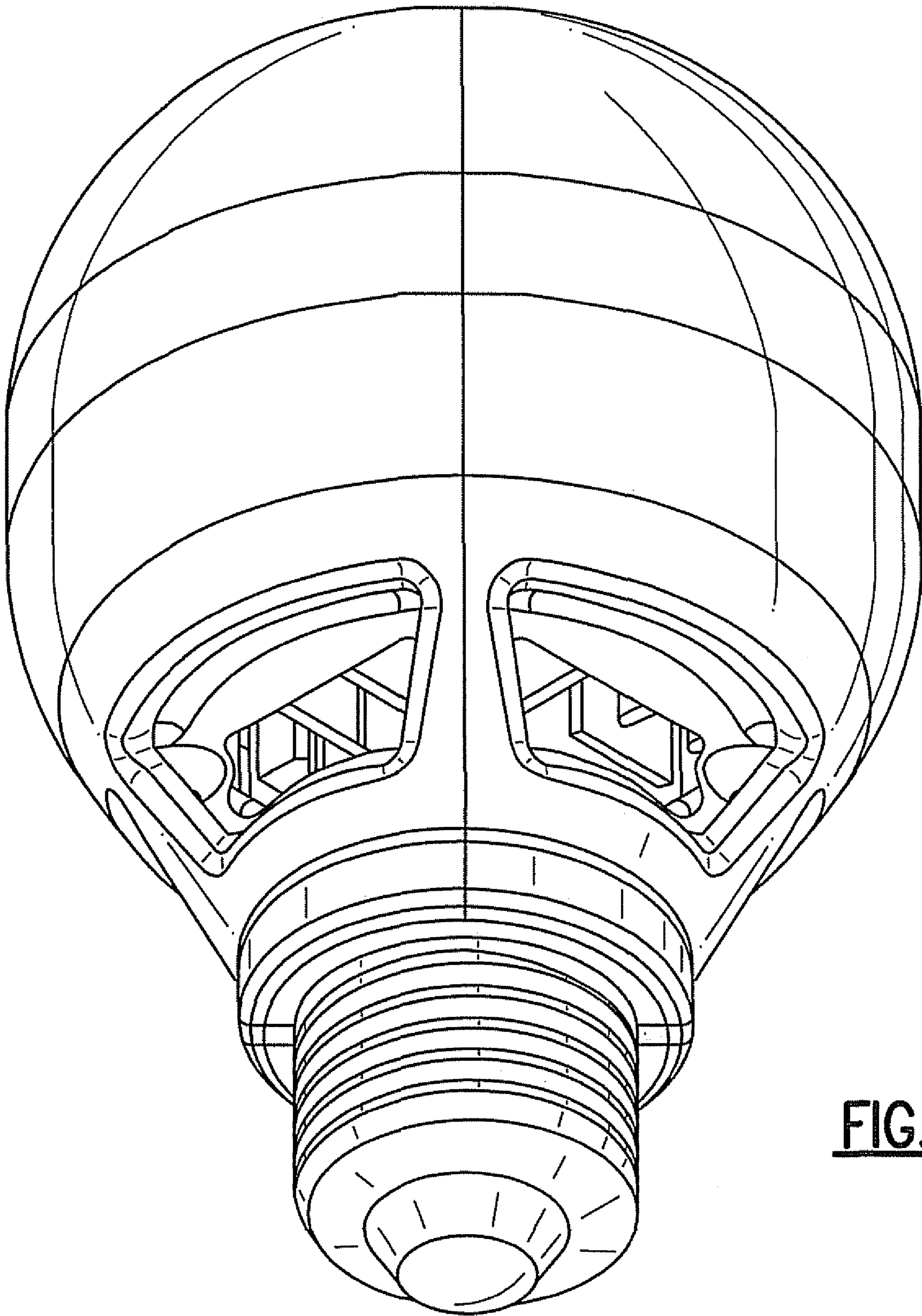


FIG. 3

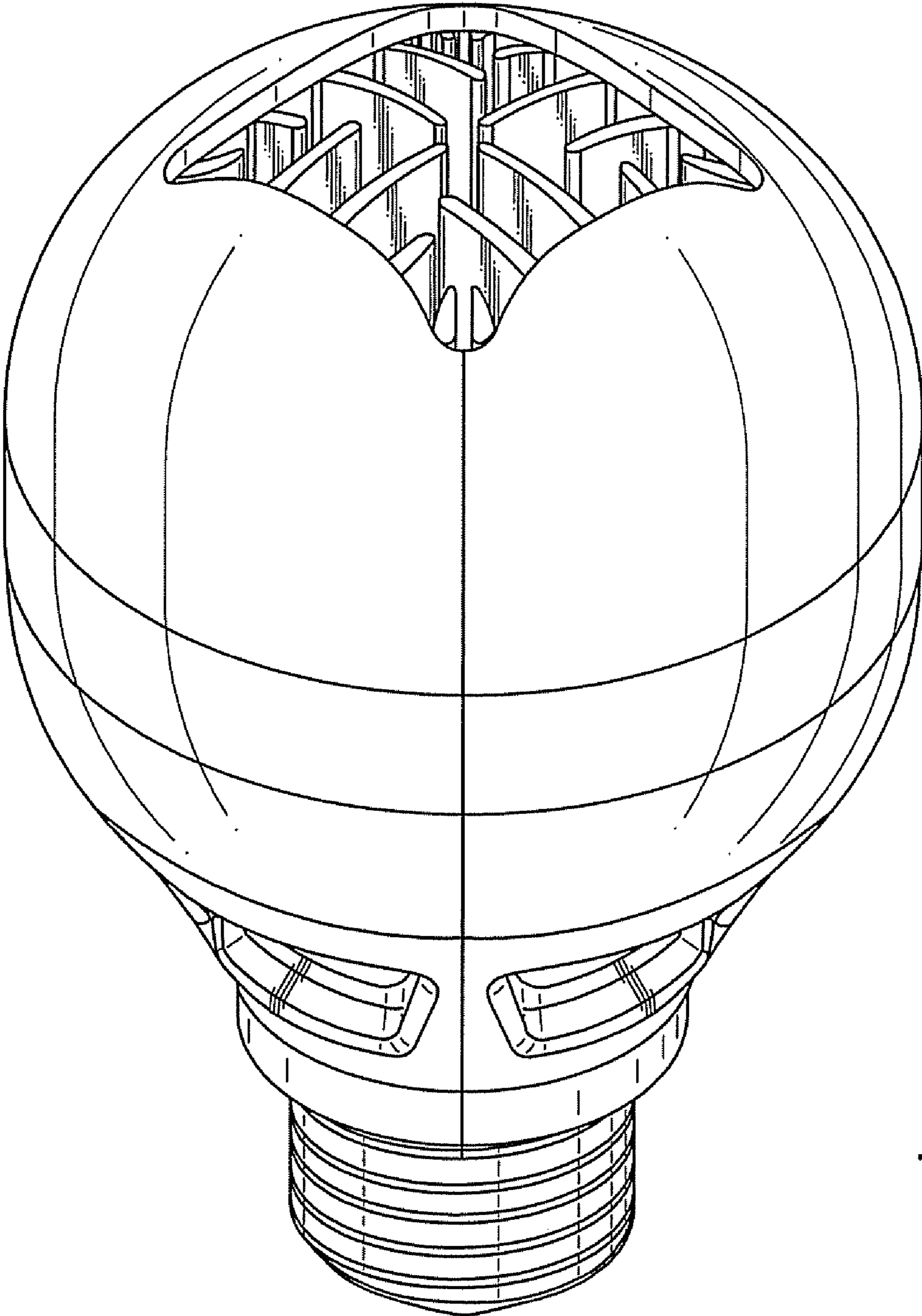


FIG. 4

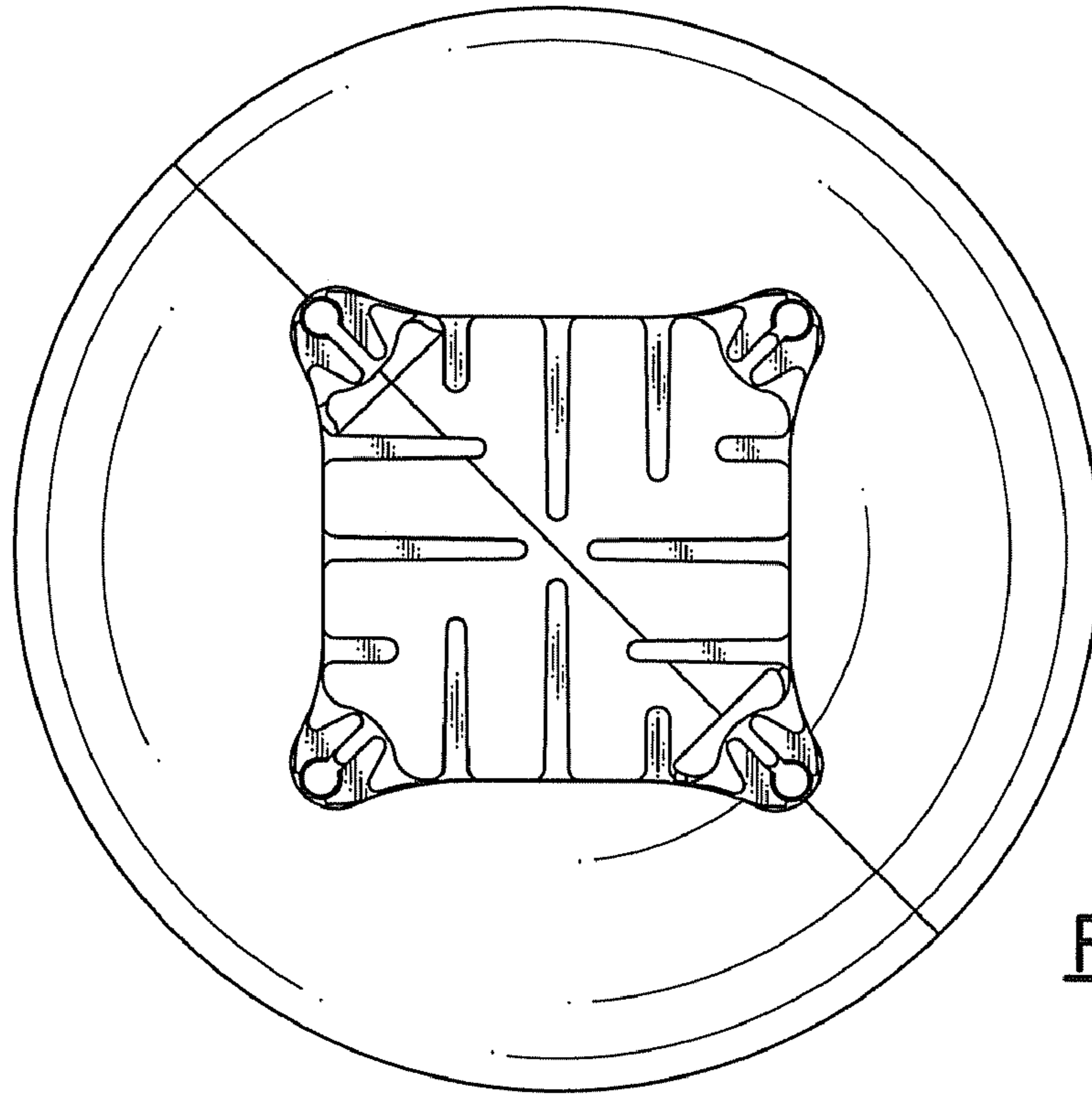


FIG. 5

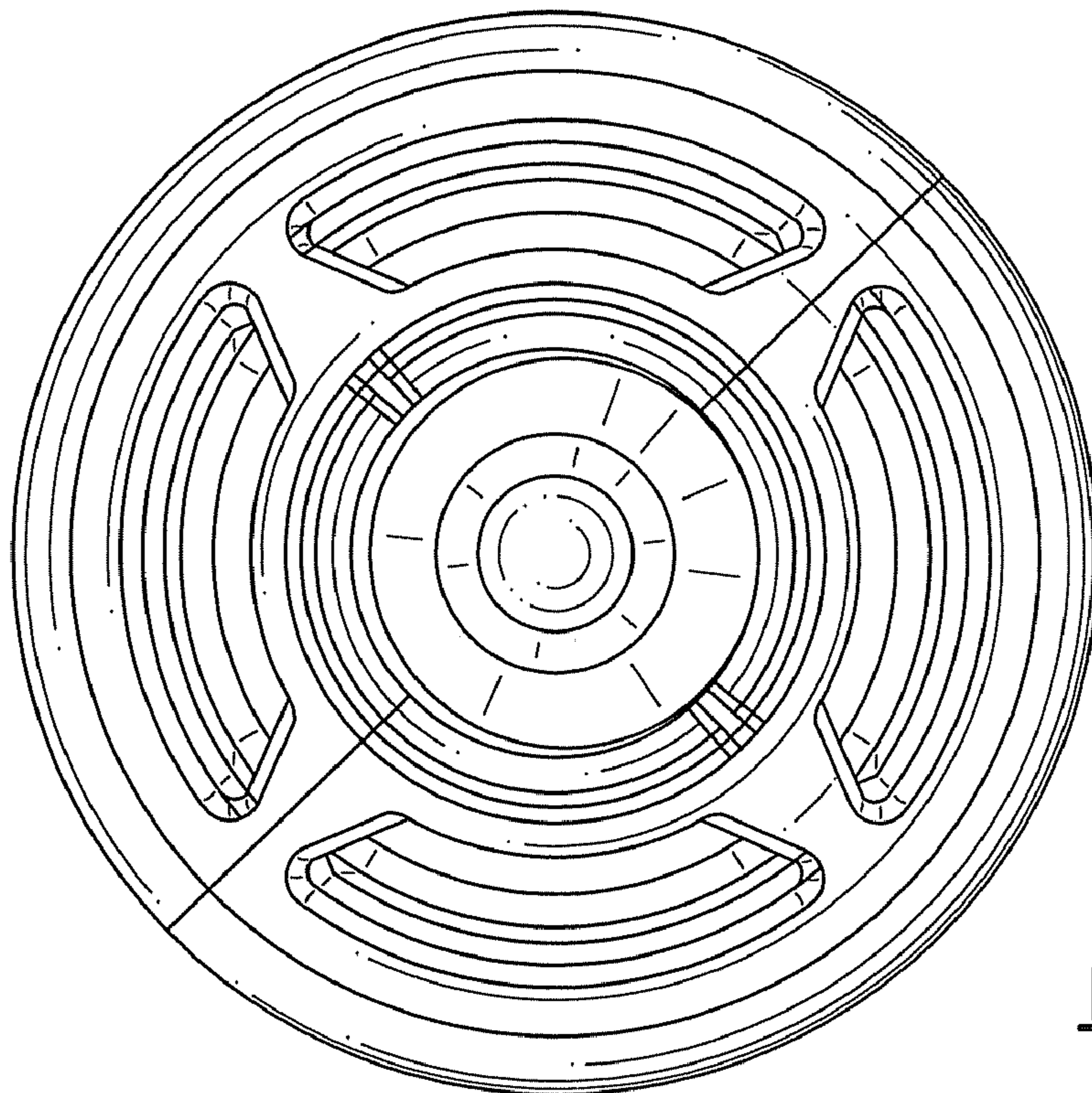


FIG. 6