



US00D626254S

(12) **United States Design Patent**  
**Bouthillier**

(10) **Patent No.:** **US D626,254 S**

(45) **Date of Patent:** **\*\* Oct. 26, 2010**

(54) **GLASS LINTEL FOR SUPPORTING DOORS**

(75) Inventor: **Serge Bouthillier**, Ste-Marthe-sur-le-Lac (CA)

(73) Assignee: **Groupe VFG Inc.**, Bois-des-Fillon, Québec (CA)

(\*\*) Term: **14 Years**

(21) Appl. No.: **29/360,635**

(22) Filed: **Apr. 29, 2010**

(51) **LOC (9) Cl.** ..... **25-01**

(52) **U.S. Cl.** ..... **D25/126**

(58) **Field of Classification Search** ..... D25/48,  
D25/126; 49/454, 407, 458, 425; 52/204,  
52/196, 204.2, 207

See application file for complete search history.

(56) **References Cited**

U.S. PATENT DOCUMENTS

1,749,687	A *	3/1930	Anderson Adolph I	.....	52/196
3,114,943	A *	12/1963	Casebolt	.....	49/468
4,020,612	A *	5/1977	Welch	.....	52/204.2
D271,812	S *	12/1983	Markus	.....	D25/48
4,977,838	A *	12/1990	Farrell et al.	.....	110/173 R
D355,037	S *	1/1995	Horgan, Jr.	.....	D25/48
5,711,112	A *	1/1998	Barten et al.	.....	49/118
6,018,913	A *	2/2000	Lin	.....	49/414
6,170,207	B1 *	1/2001	Saindon	.....	52/204.2
6,199,331	B1 *	3/2001	Hunt	.....	52/207

6,272,793	B1 *	8/2001	Davlandes	.....	49/168
6,389,762	B2 *	5/2002	Le Poire	.....	52/204.2
6,912,812	B2 *	7/2005	Inage	.....	49/409
D567,397	S *	4/2008	Terada et al.	.....	D25/126
7,568,311	B2 *	8/2009	Shivak et al.	.....	49/409
7,637,059	B2 *	12/2009	Chang et al.	.....	49/425
2004/0107646	A1 *	6/2004	Elmer	.....	49/410

\* cited by examiner

Primary Examiner—Doris Clark

(74) Attorney, Agent, or Firm—Ogilvy Renault LLP

(57) **CLAIM**

The ornamental design for a glass lintel for supporting doors, as shown and described.

**DESCRIPTION**

FIG. 1 is a perspective view of a glass lintel in accordance with the present design;

FIG. 2 is a perspective view of the glass lintel of FIG. 1;

FIG. 3 is a front elevation view of the glass lintel of FIG. 2, the rear elevation view being a mirror image thereof;

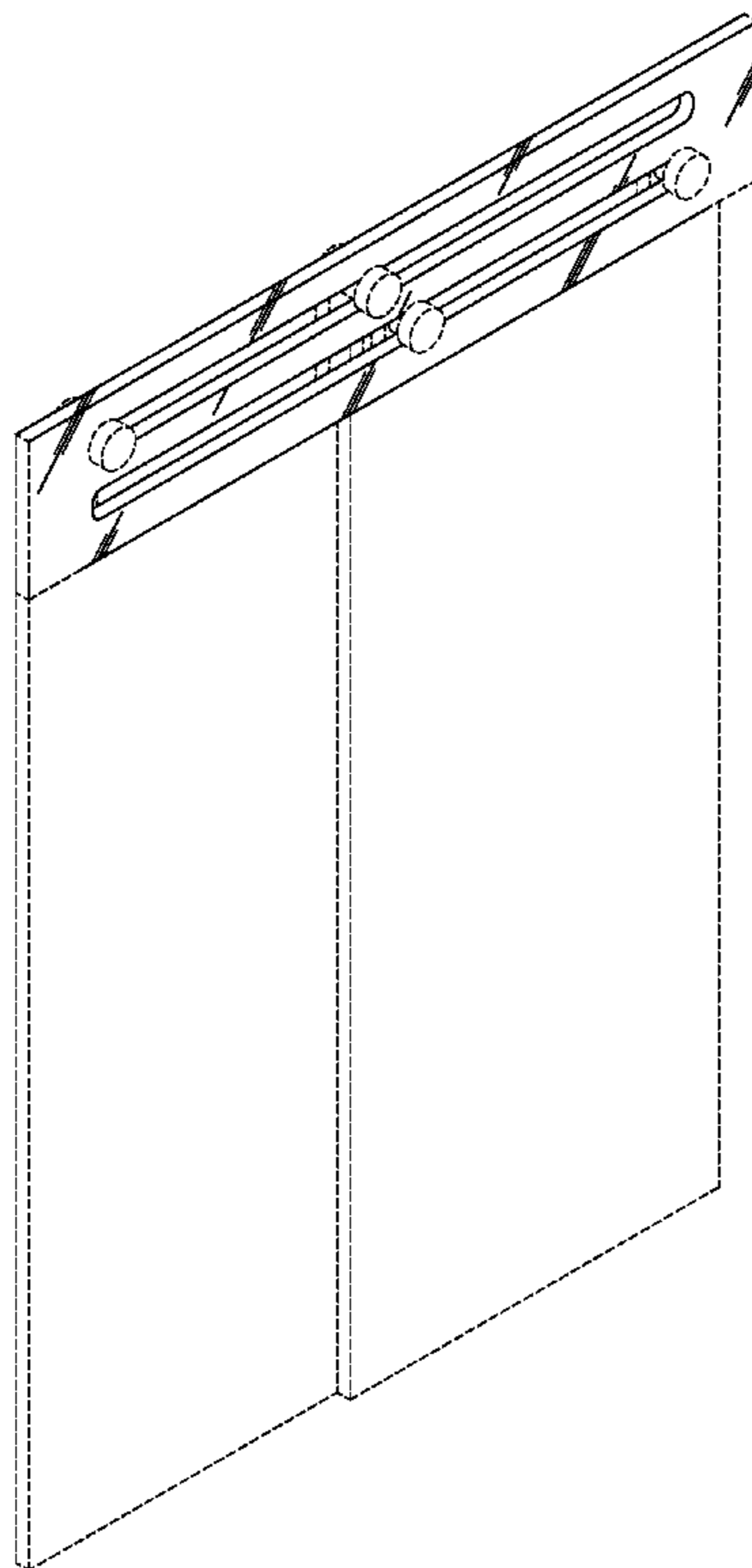
FIG. 4 is a right-side elevation view of the glass lintel of FIG. 2, the left-side elevation view being a mirror image thereof;

FIG. 5 is a top plan view of the glass lintel of FIG. 2; and,

FIG. 6 is a bottom plan view of the glass lintel of FIG. 2.

The broken lines in some figures are for illustrative purposes only and form no part of the claimed design.

**1 Claim, 2 Drawing Sheets**



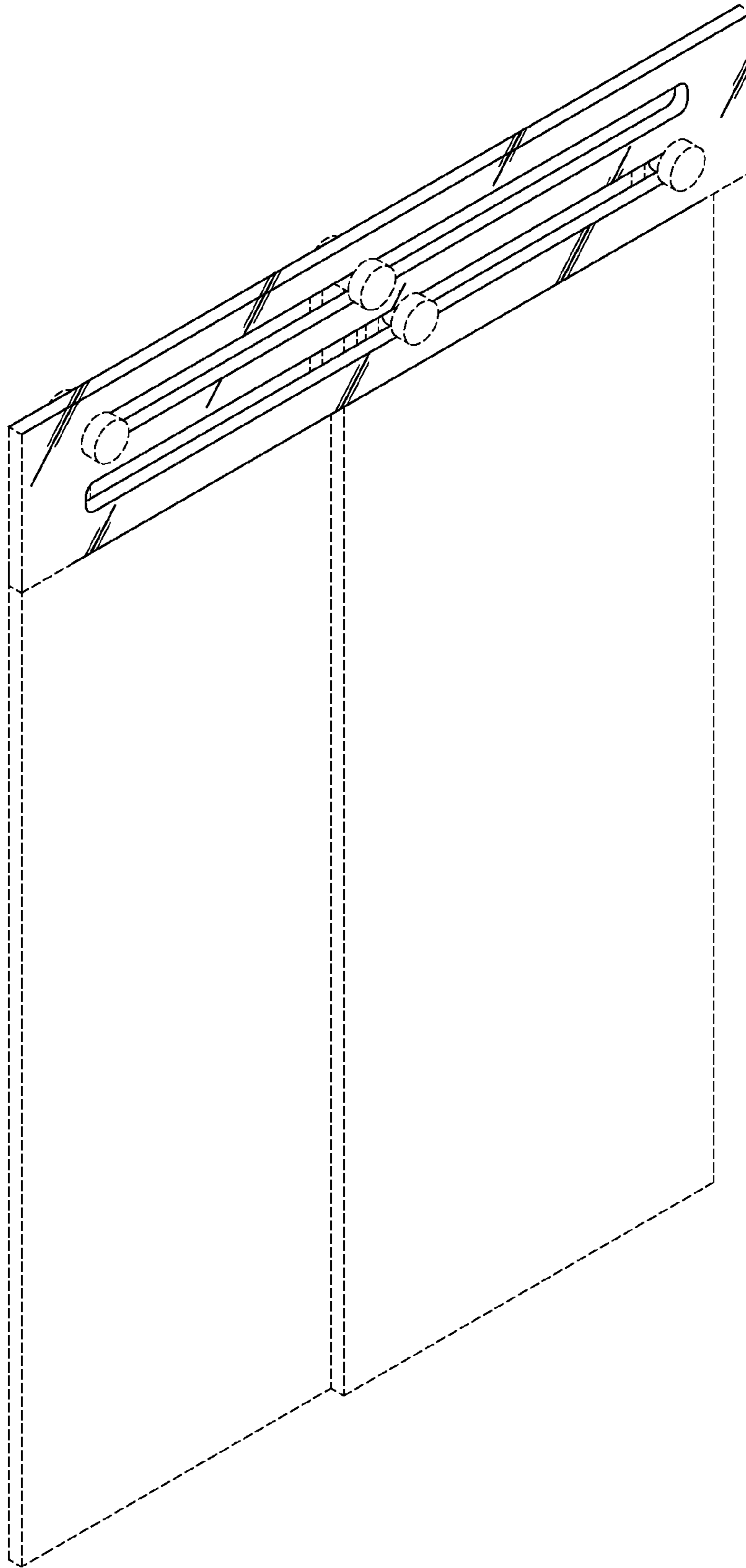


FIG. 1

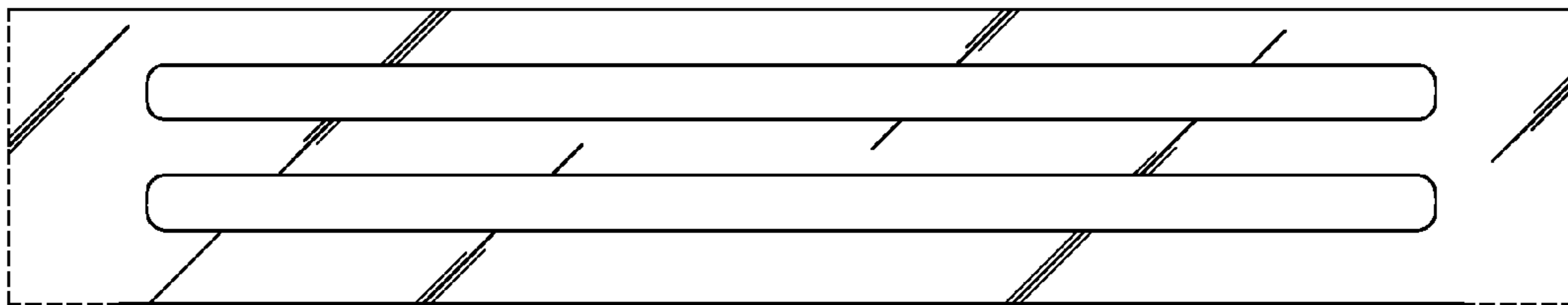
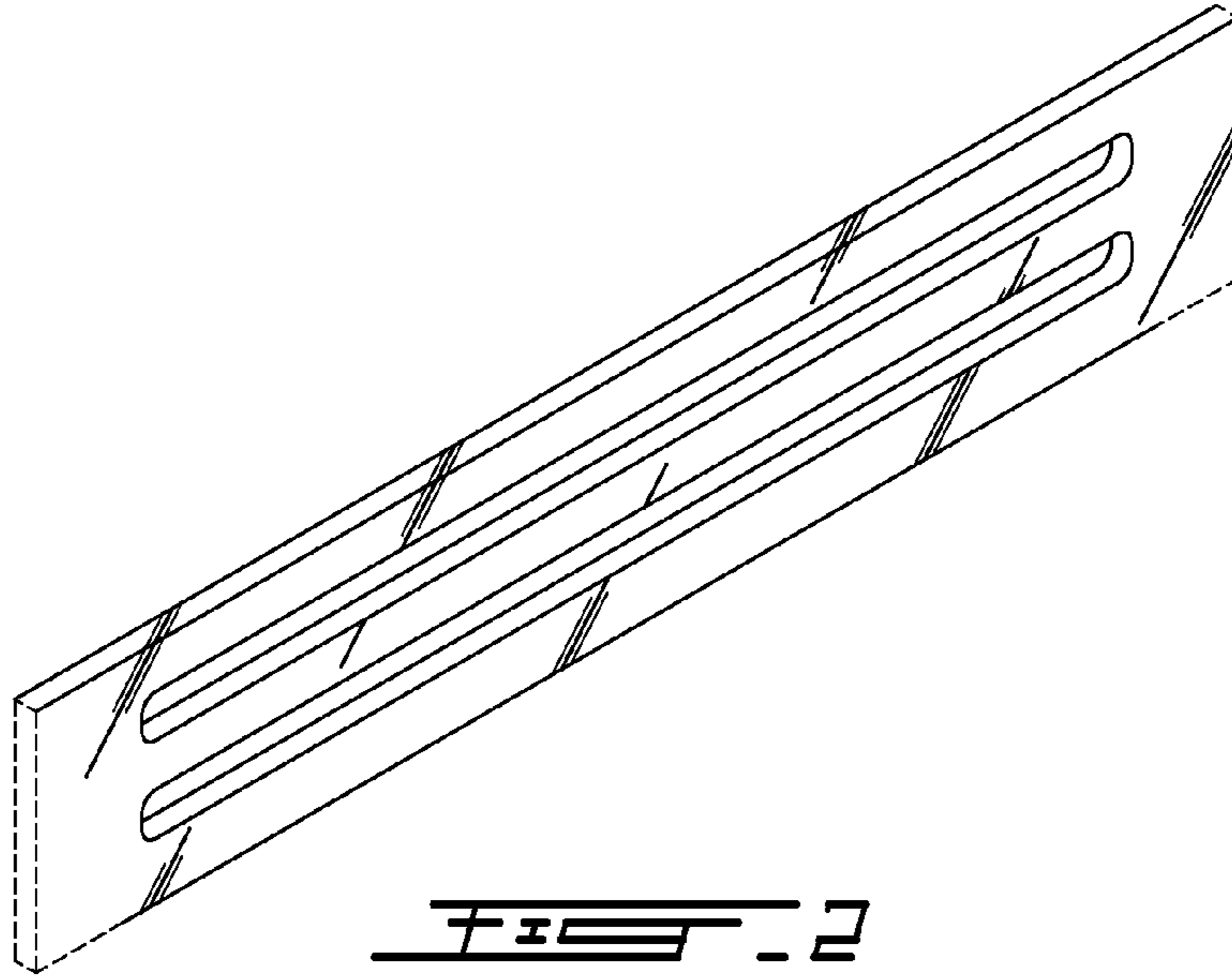


FIG. 3



FIG. 4

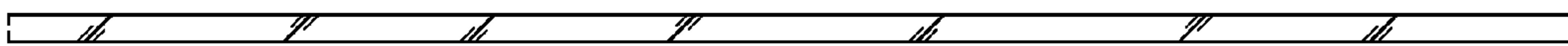


FIG. 5

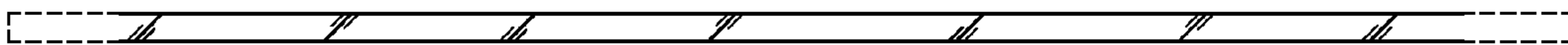


FIG. 6