

US00D626252S

(12) **United States Design Patent**
Bouthillier

(10) **Patent No.:** **US D626,252 S**

(45) **Date of Patent:** **** Oct. 26, 2010**

(54) **GLASS SLIDING DOOR**

(75) Inventor: **Serge Bouthillier**, Ste-Marthe-sur-le-Lac (CA)

(73) Assignee: **Groupe VFG Inc.**, Bois-des-Filion, Québec (CA)

(**) Term: **14 Years**

(21) Appl. No.: **29/360,634**

(22) Filed: **Apr. 29, 2010**

(51) **LOC (9) Cl.** **25-02**

(52) **U.S. Cl.** **D25/48**

(58) **Field of Classification Search** D25/48,
D25/126; 49/454, 407, 458, 425; 52/204,
52/196, 204.2, 207

See application file for complete search history.

(56) **References Cited**

U.S. PATENT DOCUMENTS

1,749,687	A *	3/1930	Anderson	52/196
3,114,943	A *	12/1963	Casebolt	49/468
4,020,612	A *	5/1977	Welch	52/204.2
D271,812	S *	12/1983	Markus	D25/48
4,977,838	A *	12/1990	Farrell et al.	110/173 R
D355,037	S *	1/1995	Horgan, Jr.	D25/48
5,711,112	A *	1/1998	Barten et al.	49/118
6,018,913	A *	2/2000	Lin	49/414
6,170,207	B1 *	1/2001	Saindon	52/204.2
6,199,331	B1 *	3/2001	Hunt	52/207
6,272,793	B1 *	8/2001	Davlantes	49/168
6,389,762	B2 *	5/2002	Le Poire	52/204.2

6,912,812	B2 *	7/2005	Inage	49/409
D567,397	S *	4/2008	Terada et al.	D25/126
7,568,311	B2 *	8/2009	Shivak et al.	49/409
7,637,059	B2 *	12/2009	Chang et al.	49/425
2004/0107646	A1 *	6/2004	Elmer	49/410

* cited by examiner

Primary Examiner—Doris Clark

(74) *Attorney, Agent, or Firm*—Ogilvy Renault LLP

(57) **CLAIM**

The ornamental design for a glass sliding door, as shown and described.

DESCRIPTION

FIG. 1 is a perspective view of a glass sliding door in accordance with the present design, as supported by a lintel;

FIG. 2 is a perspective view of the glass sliding door of FIG. 1;

FIG. 3 is a left-side elevation view of the glass sliding door of FIG. 2, the right-side elevation view being a mirror image thereof;

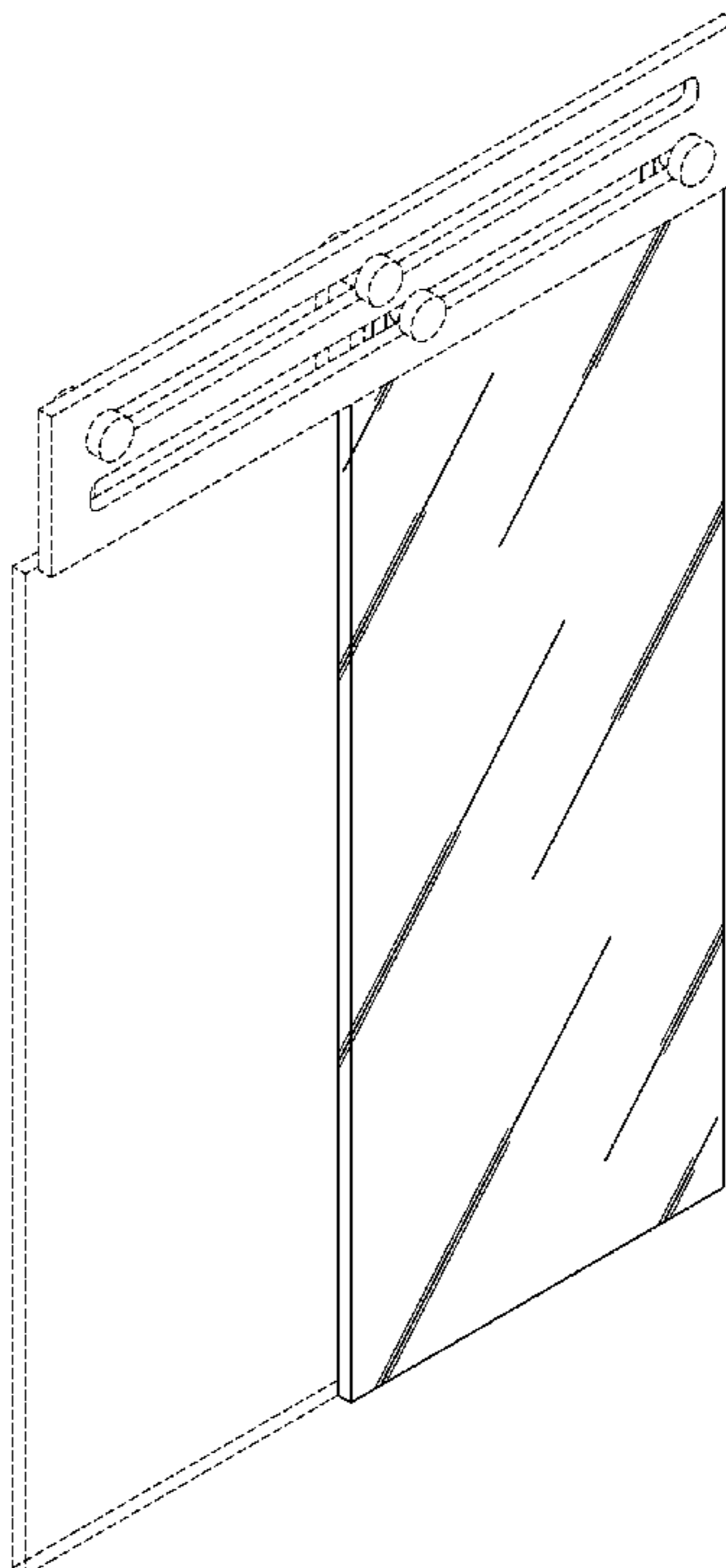
FIG. 4 is a top plan view of the glass sliding door of FIG. 2;

FIG. 5 is a front elevation view of the glass sliding door of FIG. 2, the rear elevation view being a mirror image thereof; and,

FIG. 6 is a bottom plan view of the glass sliding door of FIG. 2.

The broken lines in some figures are for illustrative purposes only and form no part of the claimed design.

1 Claim, 3 Drawing Sheets



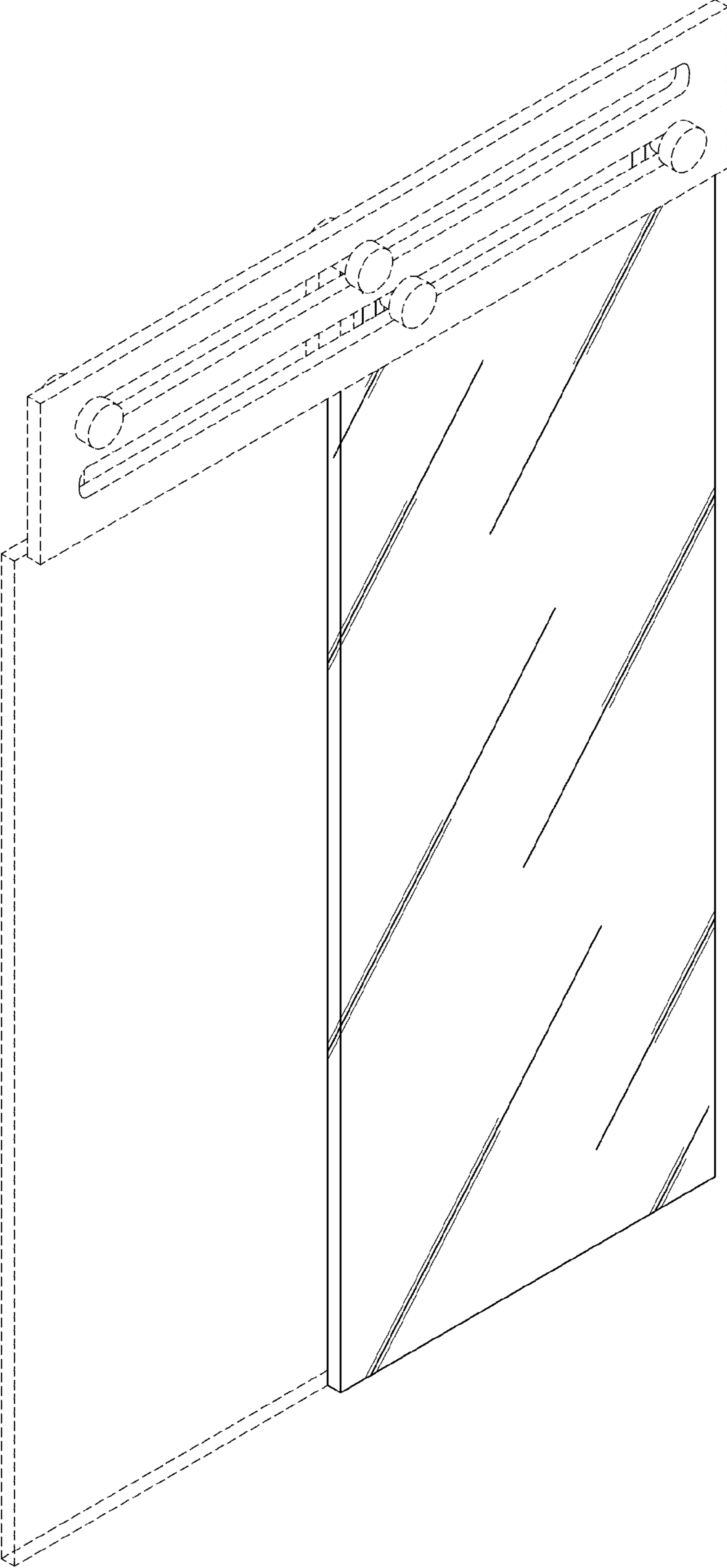


FIG. 1

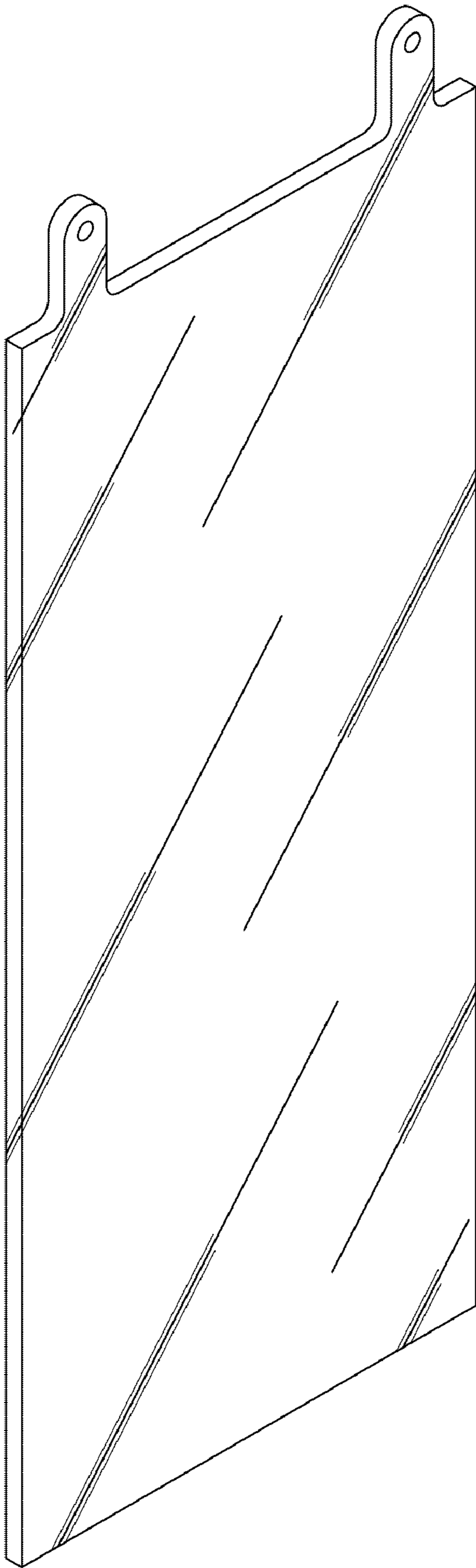


FIG. 2



FIG. 3

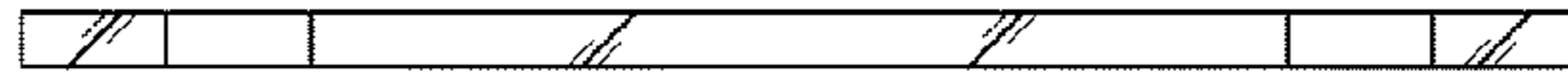


FIG. 4

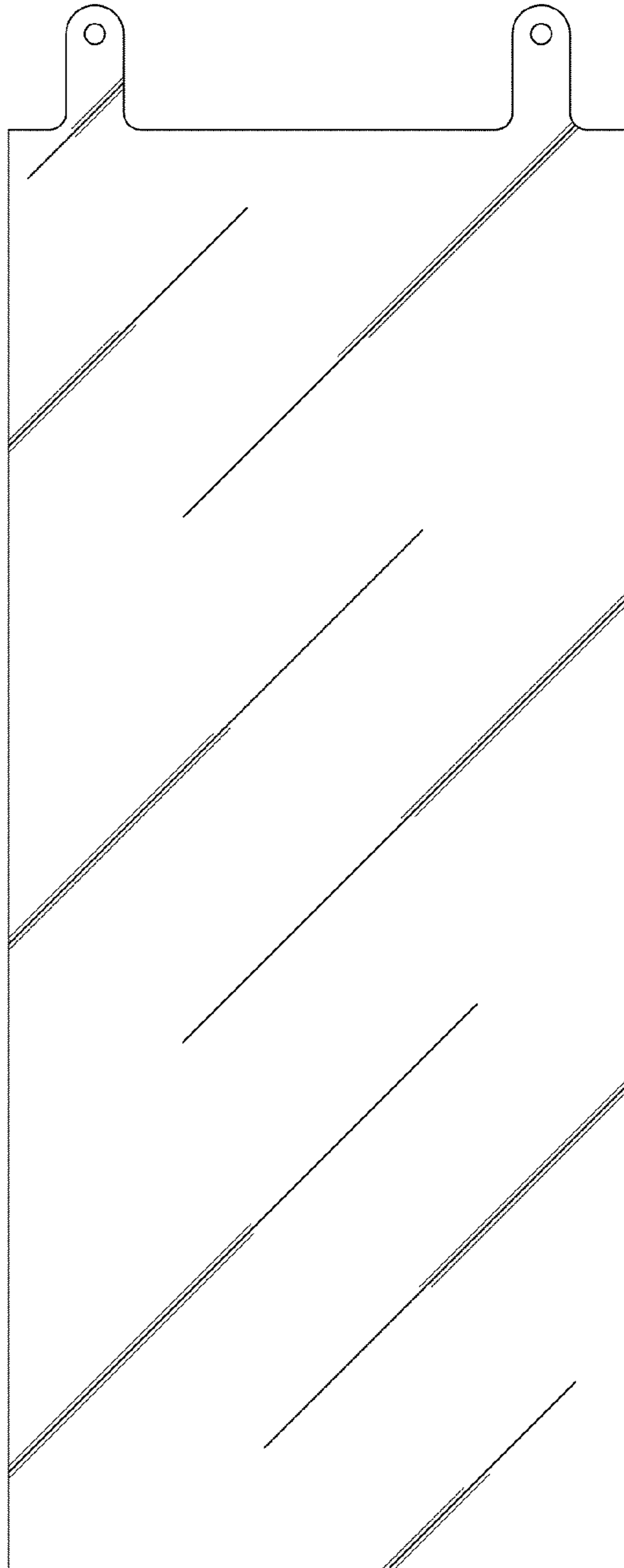


FIG. 5

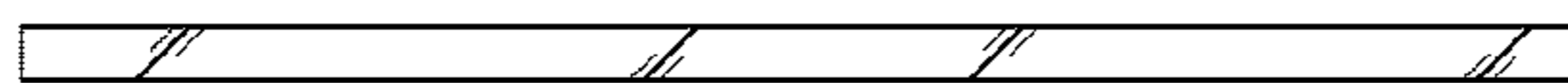


FIG. 6