



US00D626250S

(12) **United States Design Patent**
Wenderow et al.

(10) **Patent No.:** **US D626,250 S**
(45) **Date of Patent:** **** Oct. 26, 2010**

(54) **MEDICAL RADIATION PROTECTED
WORKSTATION**

(75) Inventors: **Tal Wenderow**, West Newton, MA (US);
David Handler, Newton, MA (US);
Stephen Guerrera, Holliston, MA (US)

(73) Assignee: **Corindus Inc.**, Natick, MA (US)

(**) Term: **14 Years**

(21) Appl. No.: **29/357,991**

(22) Filed: **Mar. 19, 2010**

(51) **LOC (9) Cl.** **24-01**

(52) **U.S. Cl.** **D24/234**

(58) **Field of Classification Search** D24/107,
D24/183-186, 216, 231-234; D6/334-236,
D6/367, 371, 381, 500-502; D29/100; 250/516.1,
250/519.1

See application file for complete search history.

(56) **References Cited**

U.S. PATENT DOCUMENTS

D234,171 S *	1/1975	Long	D6/334
D280,578 S *	9/1985	Holden	D6/367
D282,607 S *	2/1986	Palmer	D6/334
4,581,538 A *	4/1986	Lenhart	250/519.1
D284,814 S *	7/1986	Culler	D6/334
5,015,864 A *	5/1991	Maleki	250/519.1
D318,183 S *	7/1991	Fister, Jr.	D6/334
D345,864 S *	4/1994	Beaulieu	D6/334
D360,310 S *	7/1995	Stamberg et al.	D6/334
D360,534 S *	7/1995	Gempton	D6/334

(Continued)

Primary Examiner—T. Chase Nelson

Assistant Examiner—Mark Cavanna

(74) *Attorney, Agent, or Firm*—Foley & Lardner LLP

(57) **CLAIM**

We claim the ornamental design for a medical radiation protected workstation, as shown and described.

DESCRIPTION

FIG. 1 is an isometric view of a first embodiment of the claimed design;

FIG. 2 is a front view of the claimed design of FIG. 1;

FIG. 3 is a top view of the claimed design of FIG. 1;

FIG. 4 is a left side view of the claimed design of FIG. 1, the right view being a mirror image;

FIG. 5 is a back view of the claimed design of FIG. 1;

FIG. 6 is an isometric view of another embodiment of the claimed design;

FIG. 7 is a front view of the claimed design of FIG. 6;

FIG. 8 is a top view of the claimed design of FIG. 6;

FIG. 9 is a left side view of the claimed design of FIG. 6 the right view being a mirror image;

FIG. 10 is a back view of the claimed design of FIG. 6;

FIG. 11 is an isometric view of another embodiment of the claimed design;

FIG. 12 is a front view of the claimed design of FIG. 11;

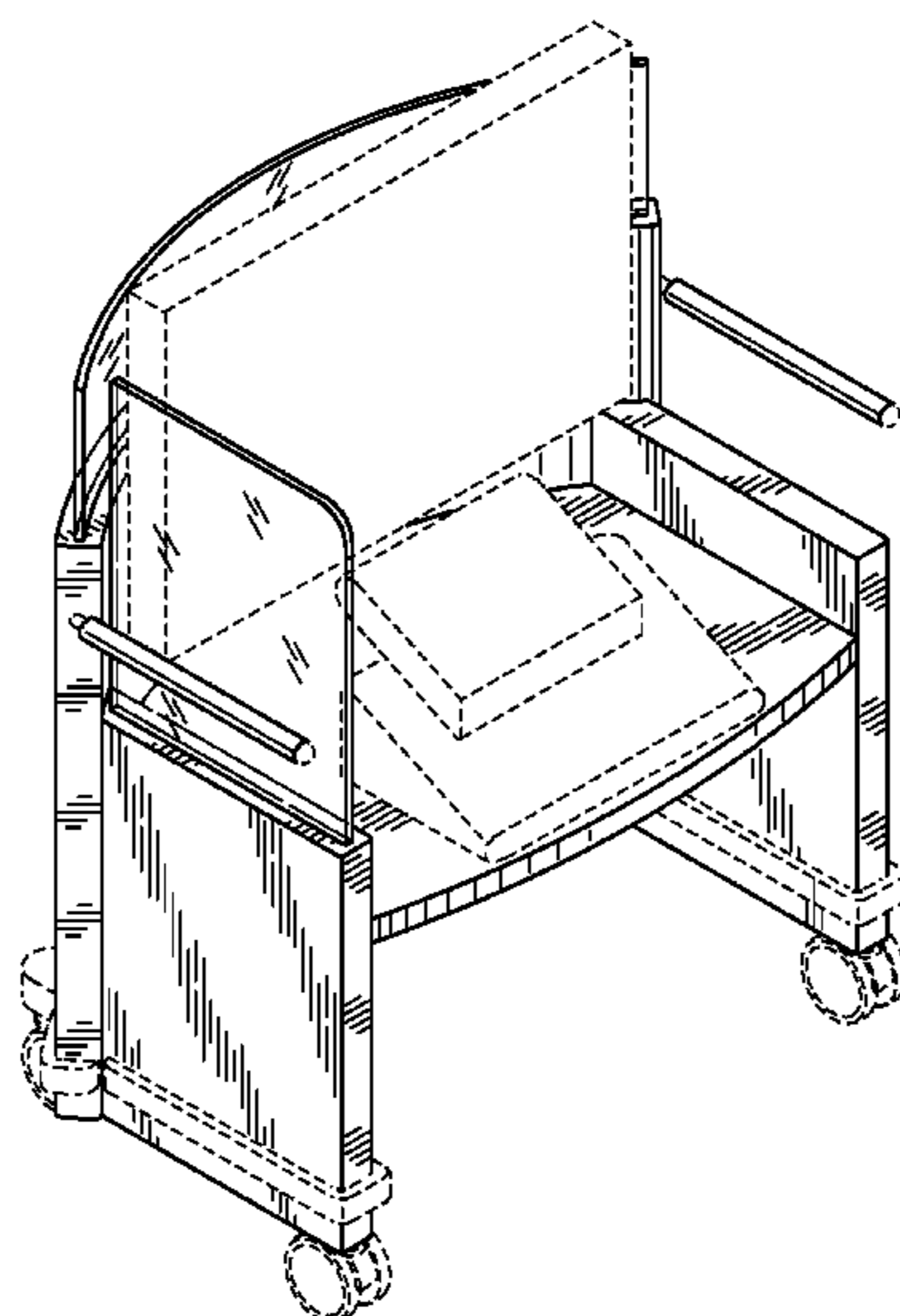
FIG. 13 is a top view of the claimed design of FIG. 11;

FIG. 14 is a left side view of the claimed design of FIG. 11, the right side view being a mirror image; and,

FIG. 15 is a back side view of the claimed design of FIG. 11.

The broken lines in the drawings are for illustrative purposes only and form no part of the claimed design.

1 Claim, 15 Drawing Sheets



US D626,250 S

Page 2

U.S. PATENT DOCUMENTS

D362,347 S *	9/1995	Karl et al.	D6/334	D482,499 S *	11/2003	Garrido et al.	D29/100
D380,096 S *	6/1997	Hanig	D6/334	D495,153 S *	8/2004	Ricci	D6/334
D392,470 S *	3/1998	Smith	D6/334	D533,365 S *	12/2006	Martin	D6/334
D431,117 S *	9/2000	Hutton	D6/334	D538,054 S *	3/2007	Lissoni	D6/334
D434,233 S *	11/2000	Frankel et al.	D6/334	D539,047 S *	3/2007	Auberger	D6/334
6,497,444 B1 *	12/2002	Simon	296/83	D572,916 S *	7/2008	Gelardo et al.	D6/334
D473,723 S *	4/2003	Pesso	D6/334	7,663,128 B2 *	2/2010	Arterson	250/519.1
				2010/0084586 A1 *	4/2010	Teodorescu	250/516.1

* cited by examiner

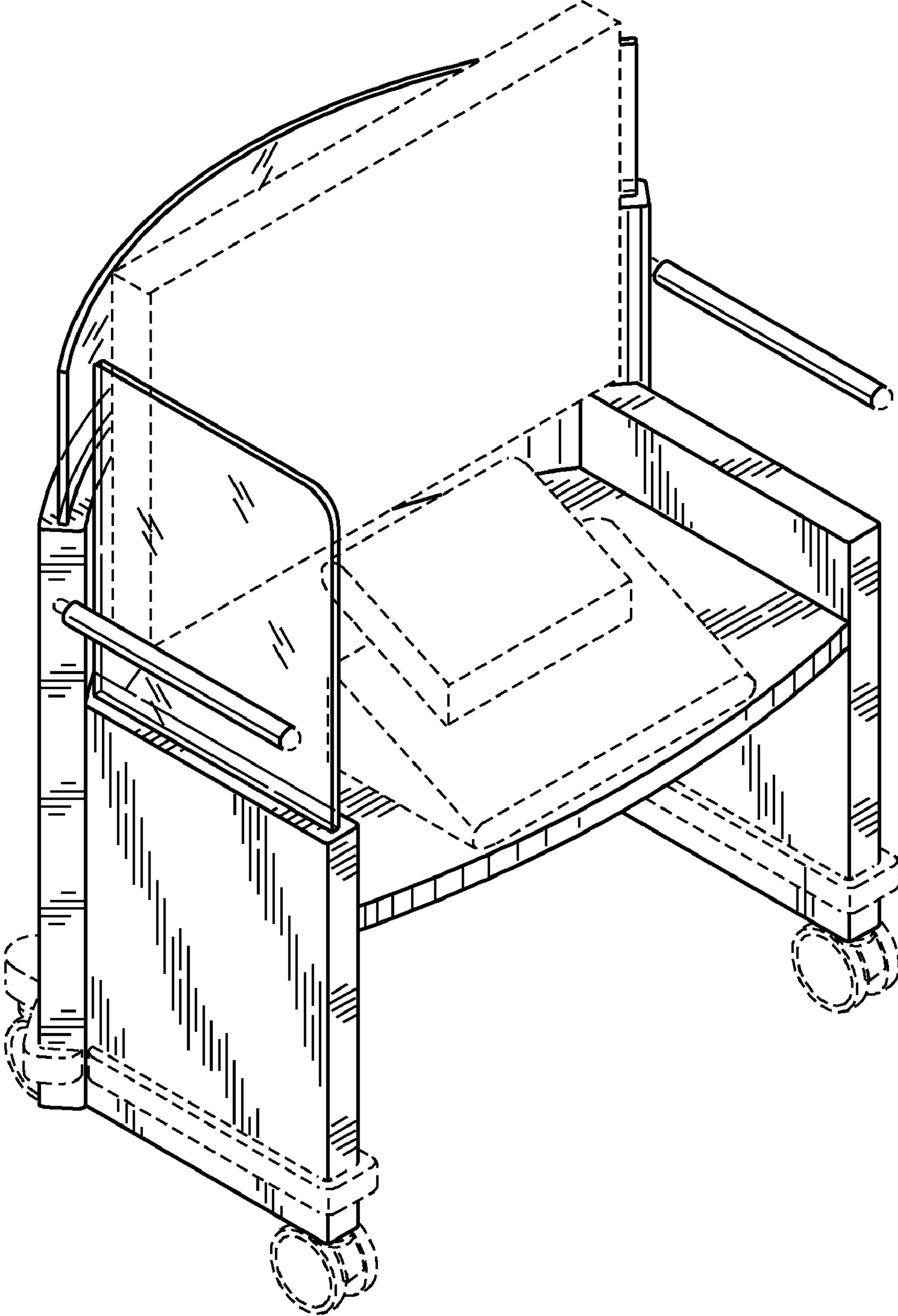


FIG. 1

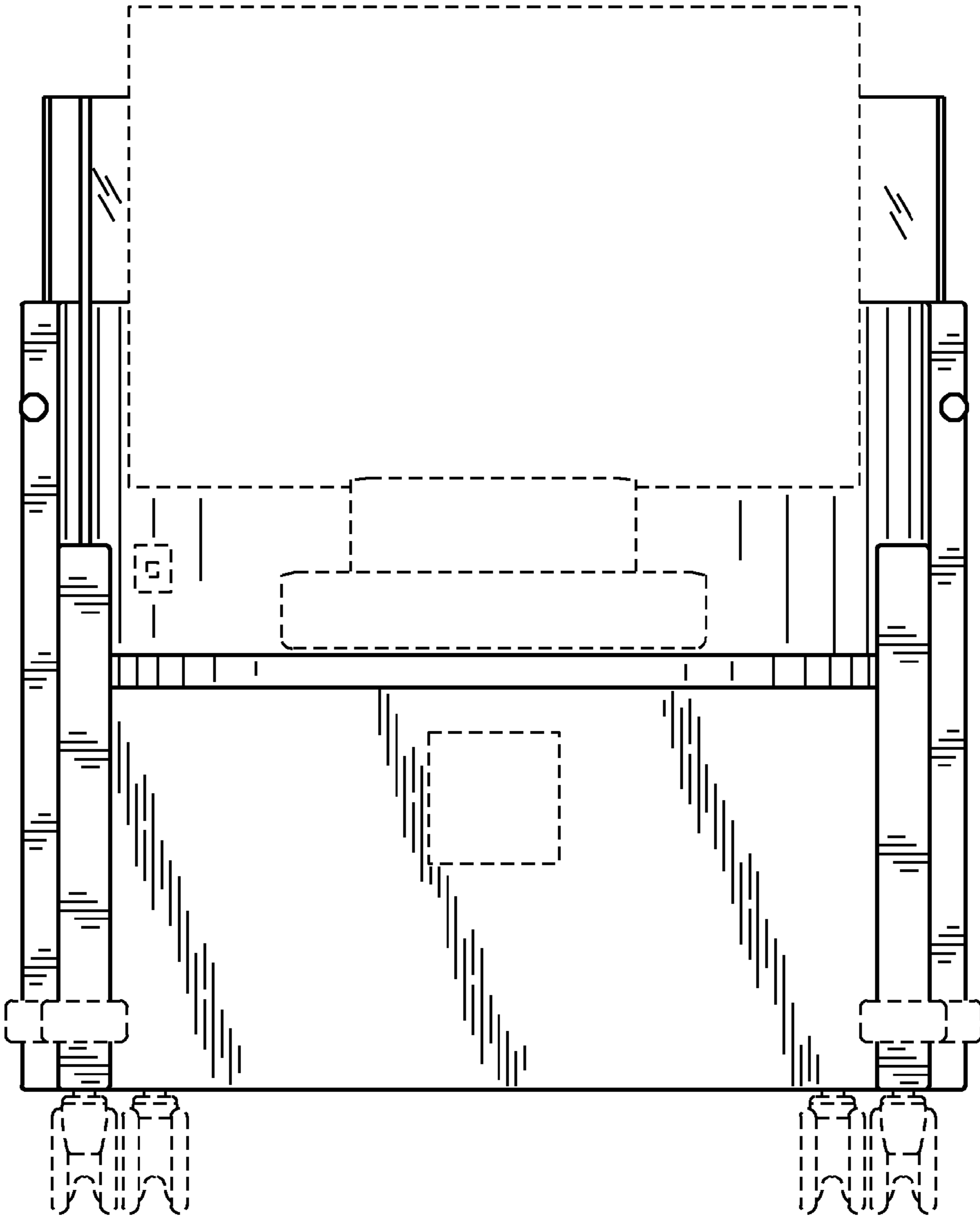


FIG. 2

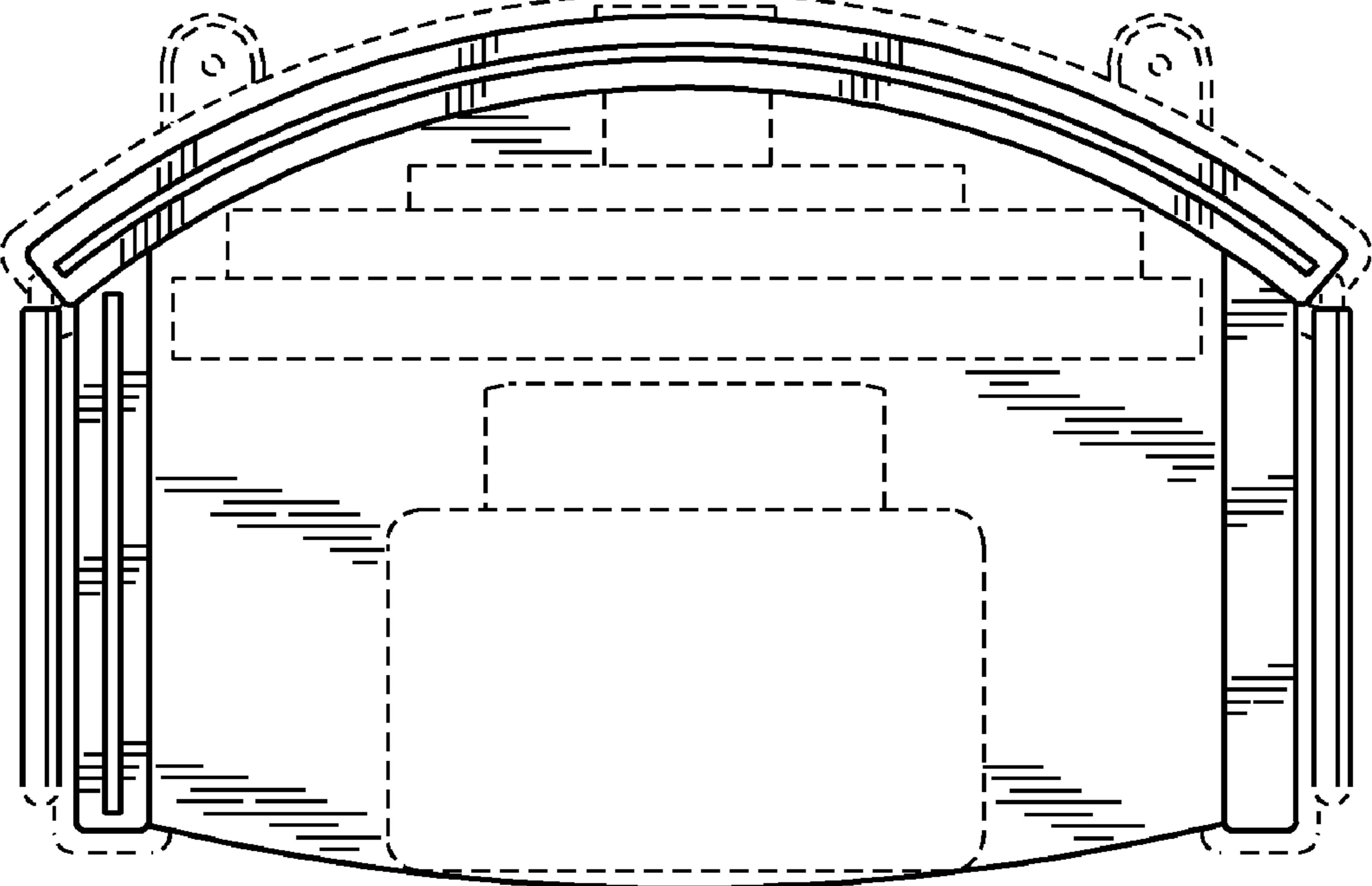


FIG. 3

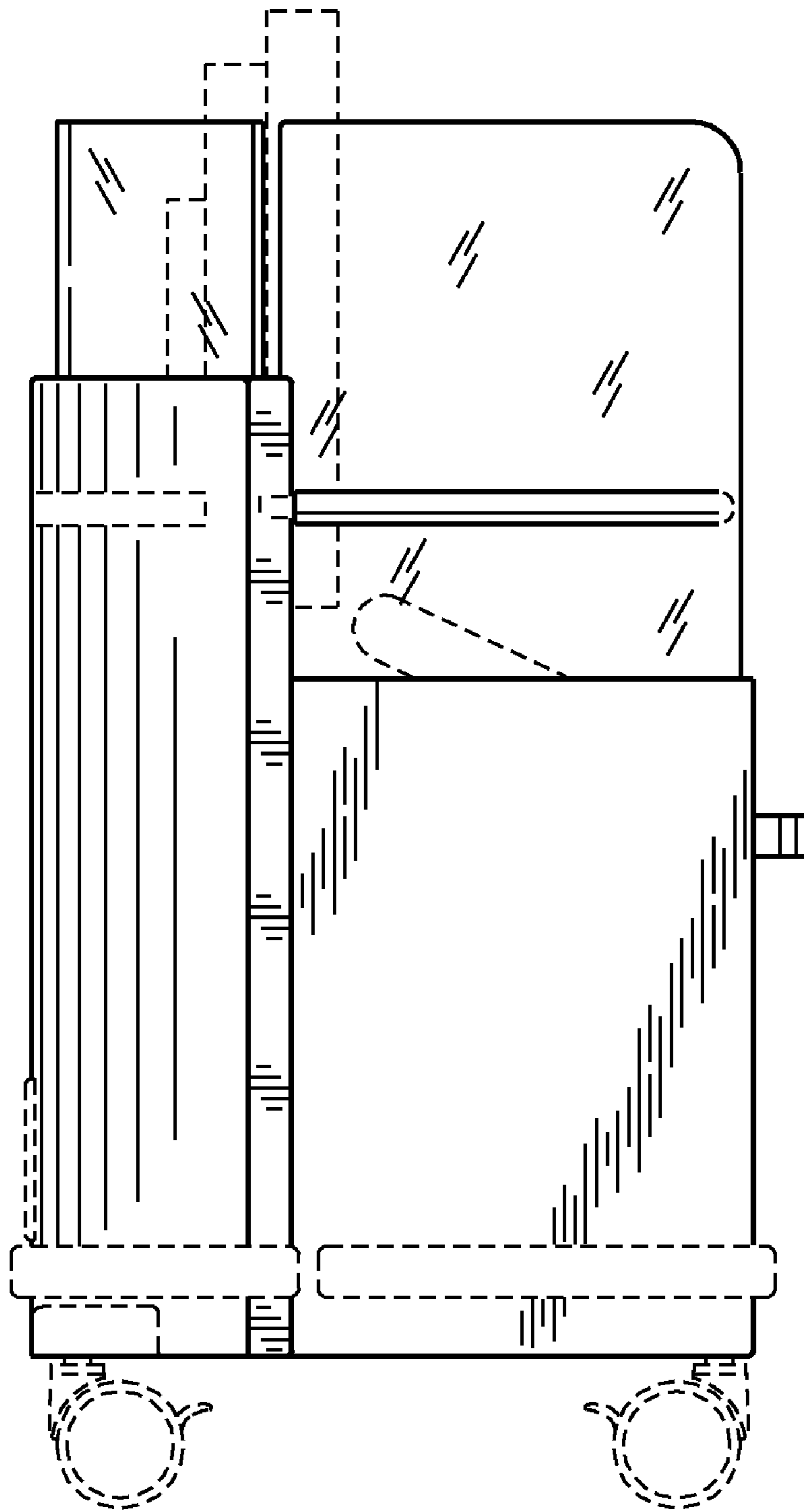


FIG. 4

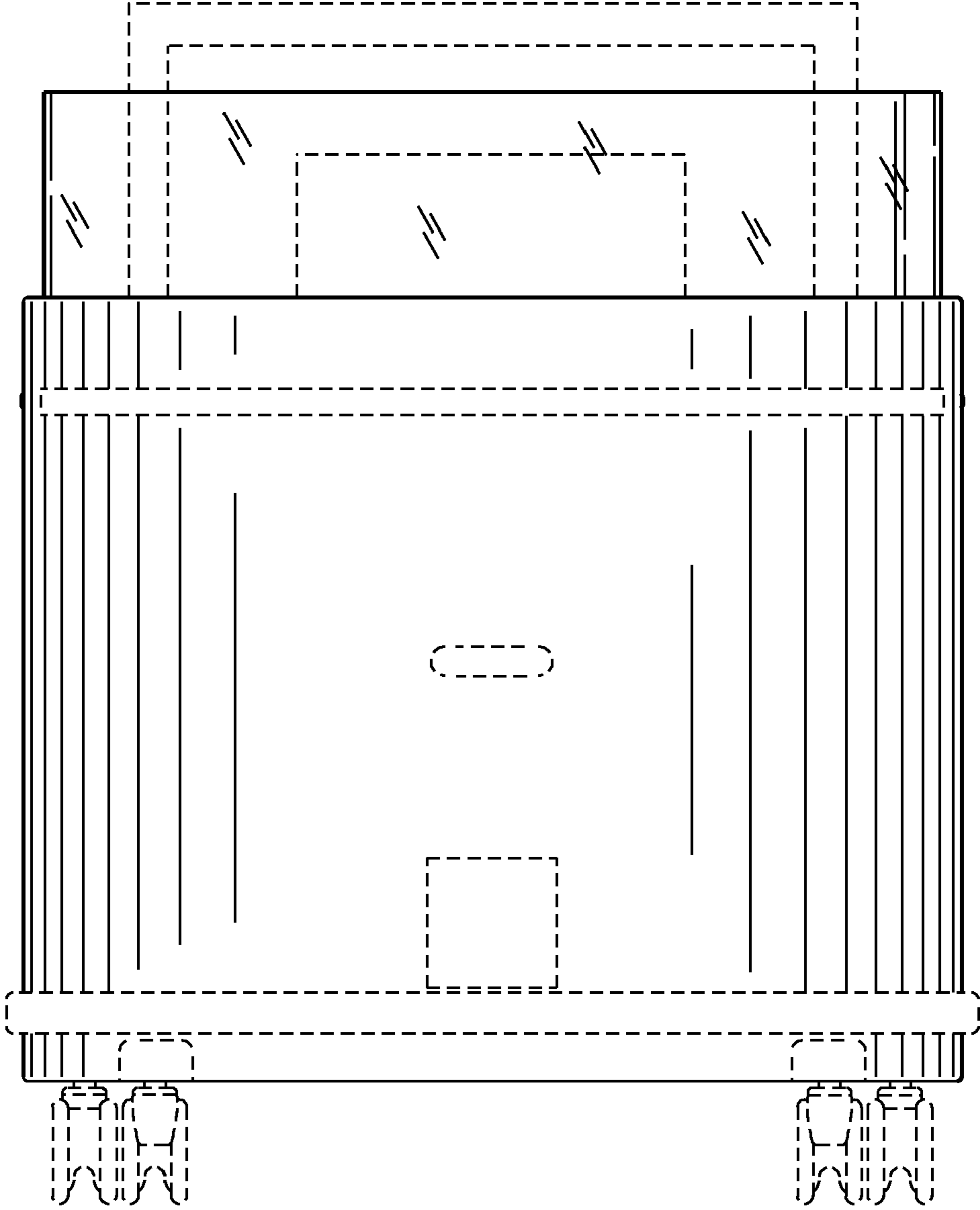


FIG. 5

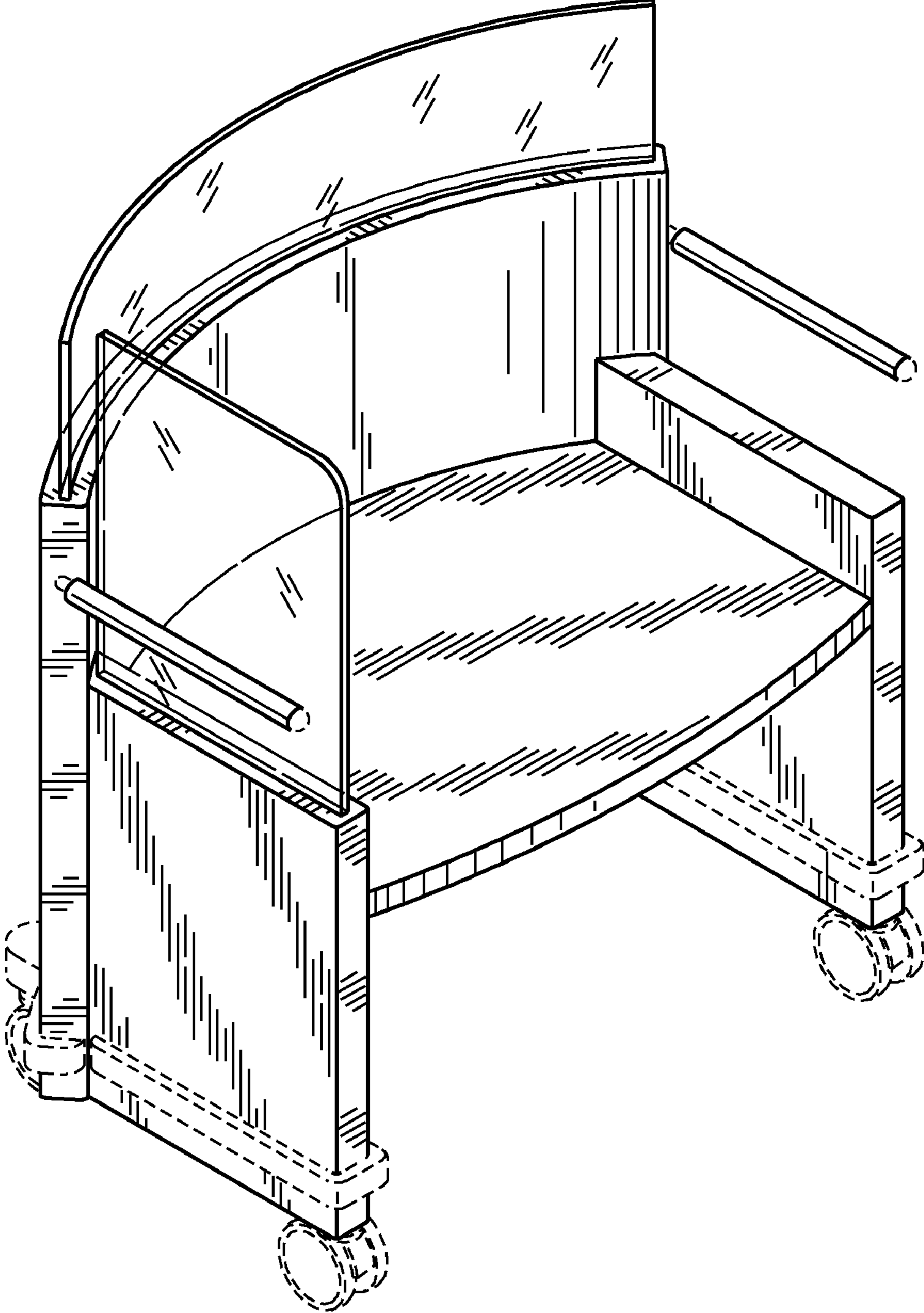


FIG. 6

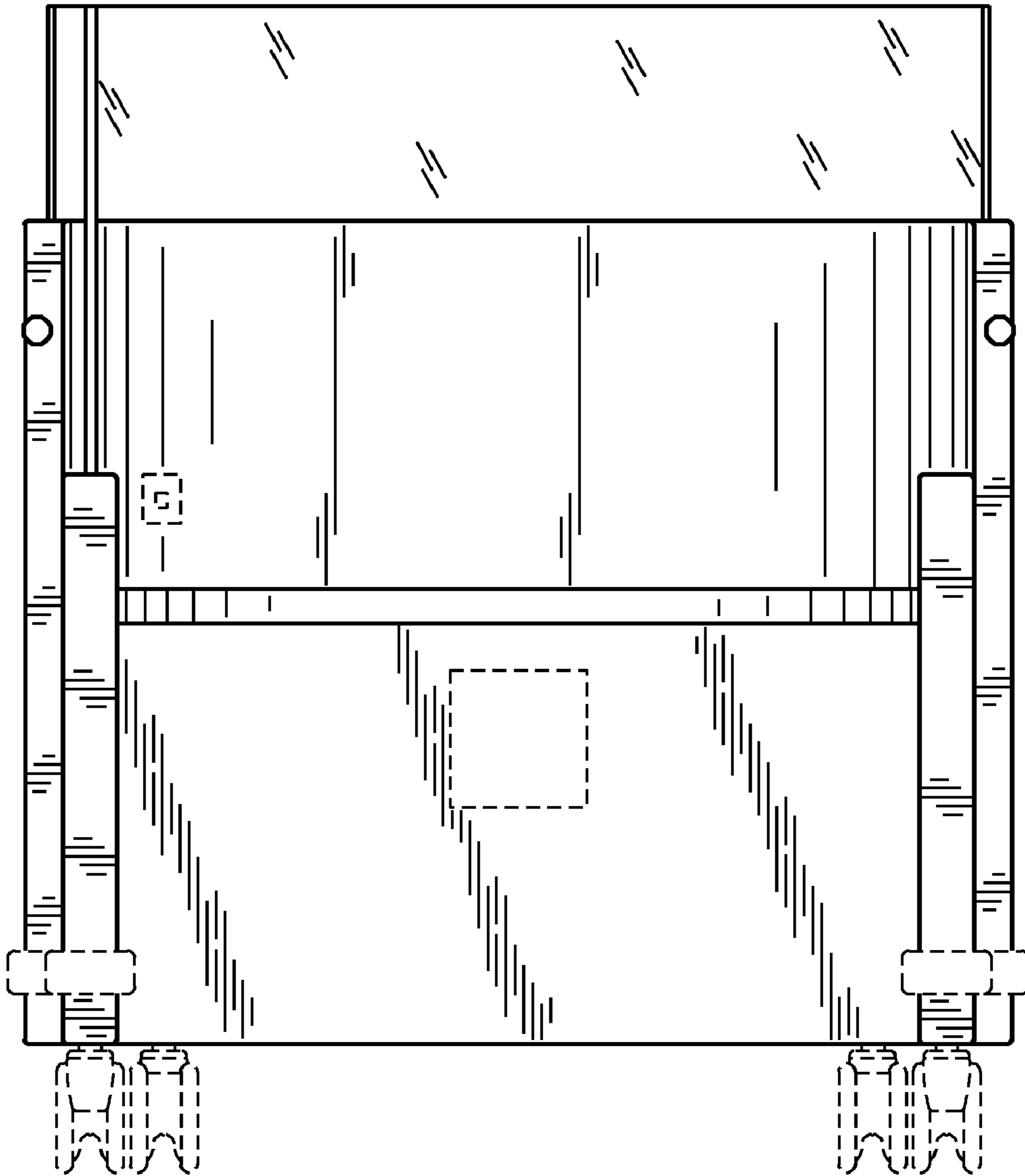


FIG. 7

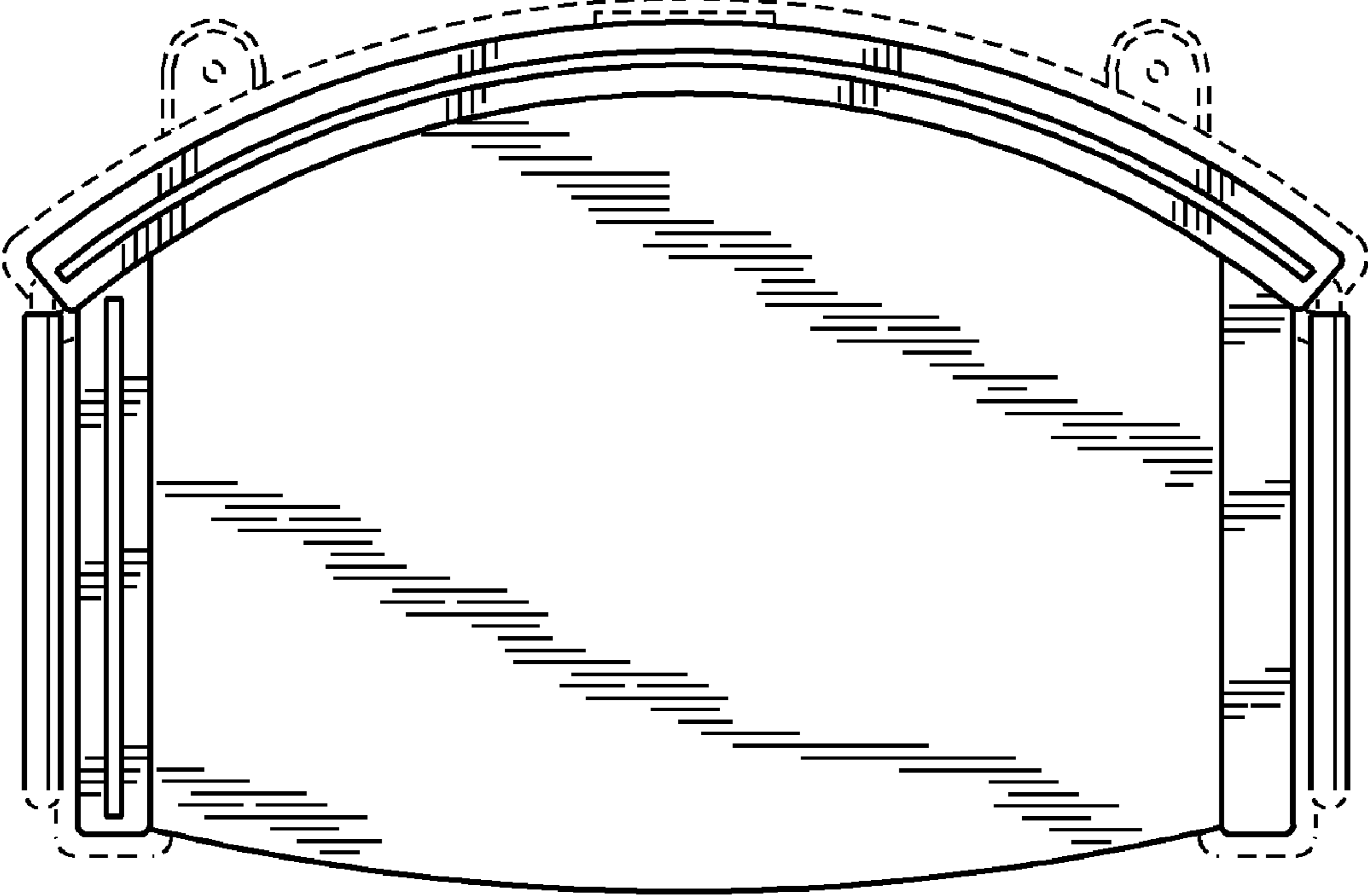


FIG. 8

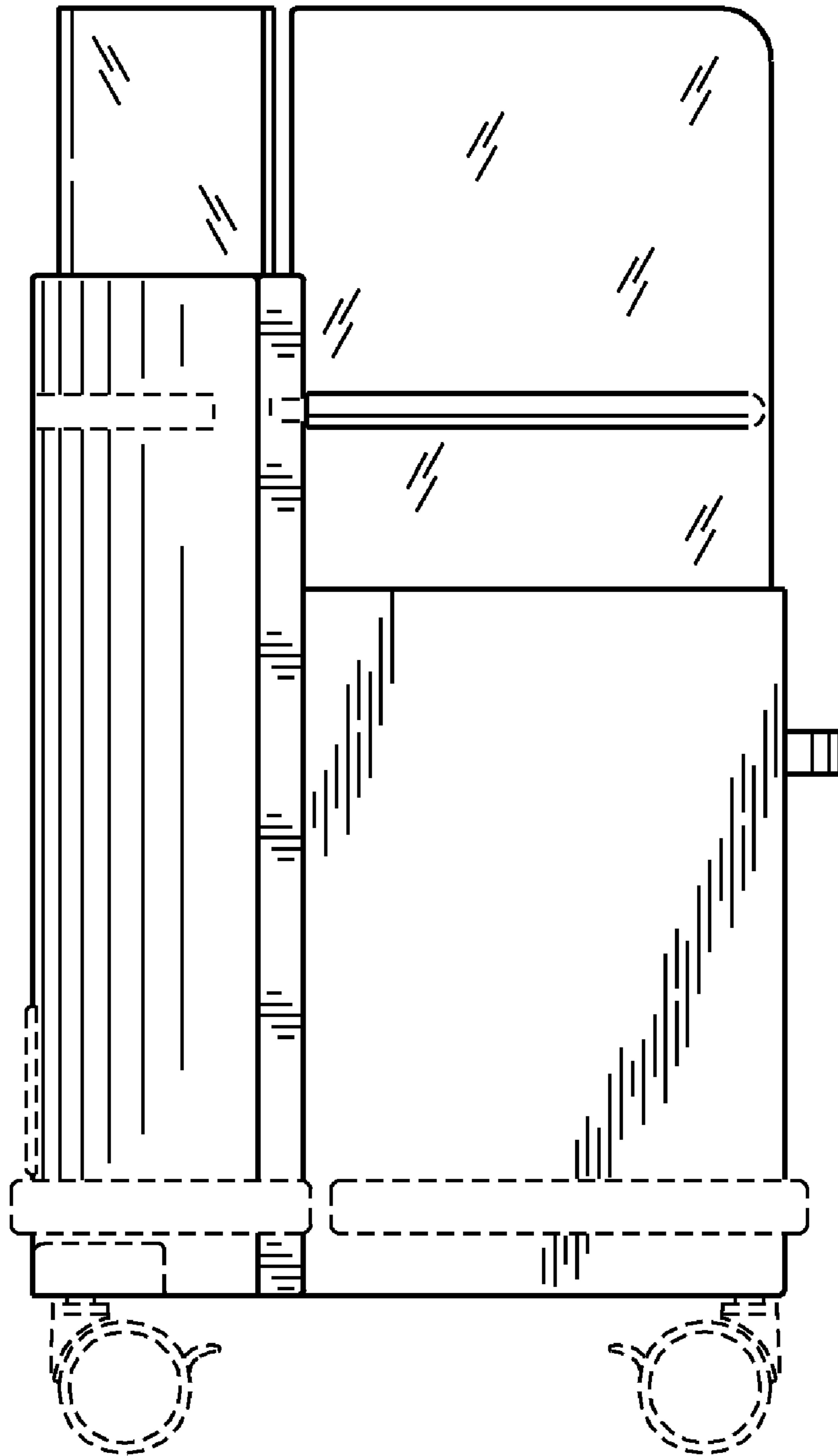


FIG. 9

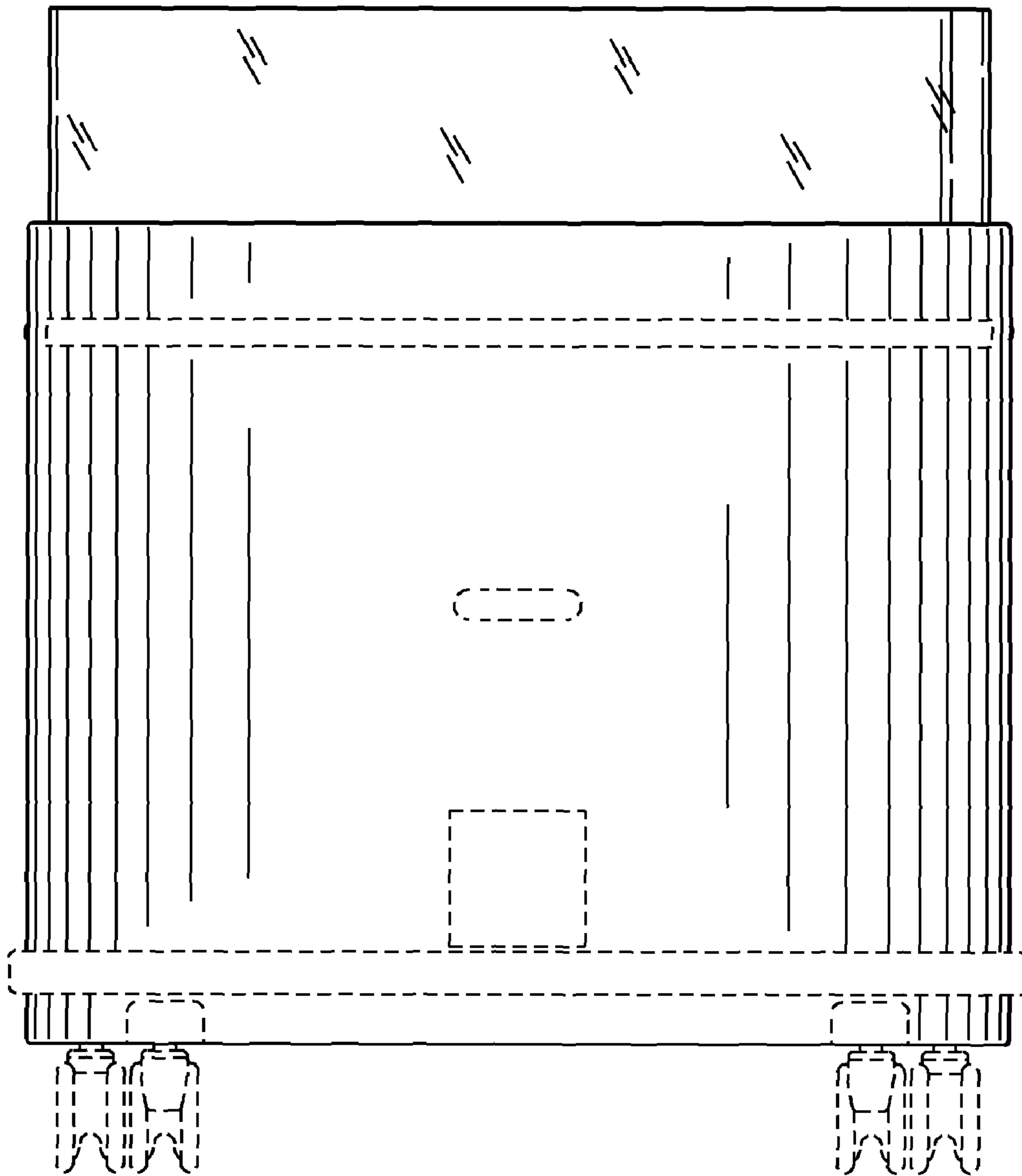


FIG. 10

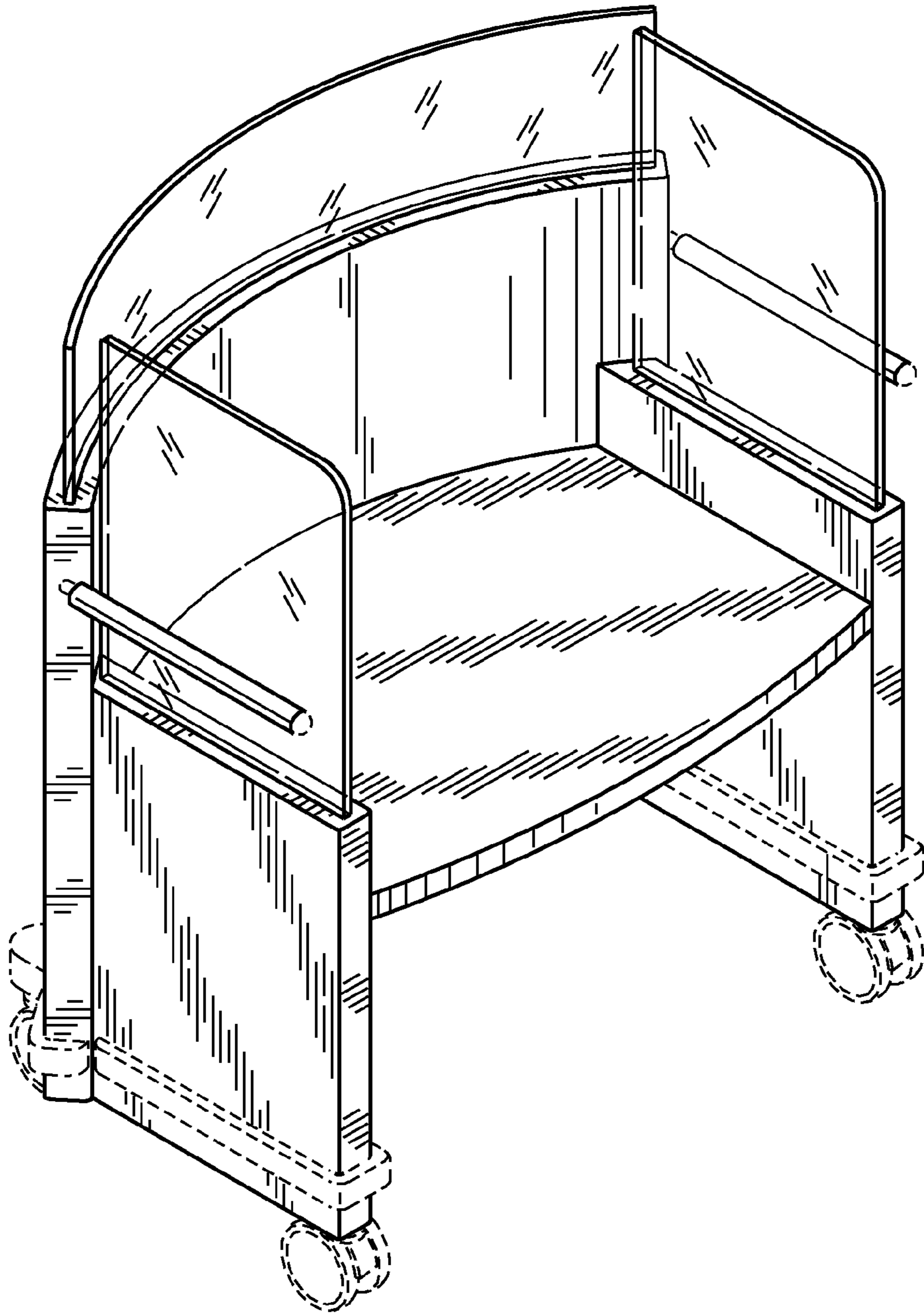


FIG. 11

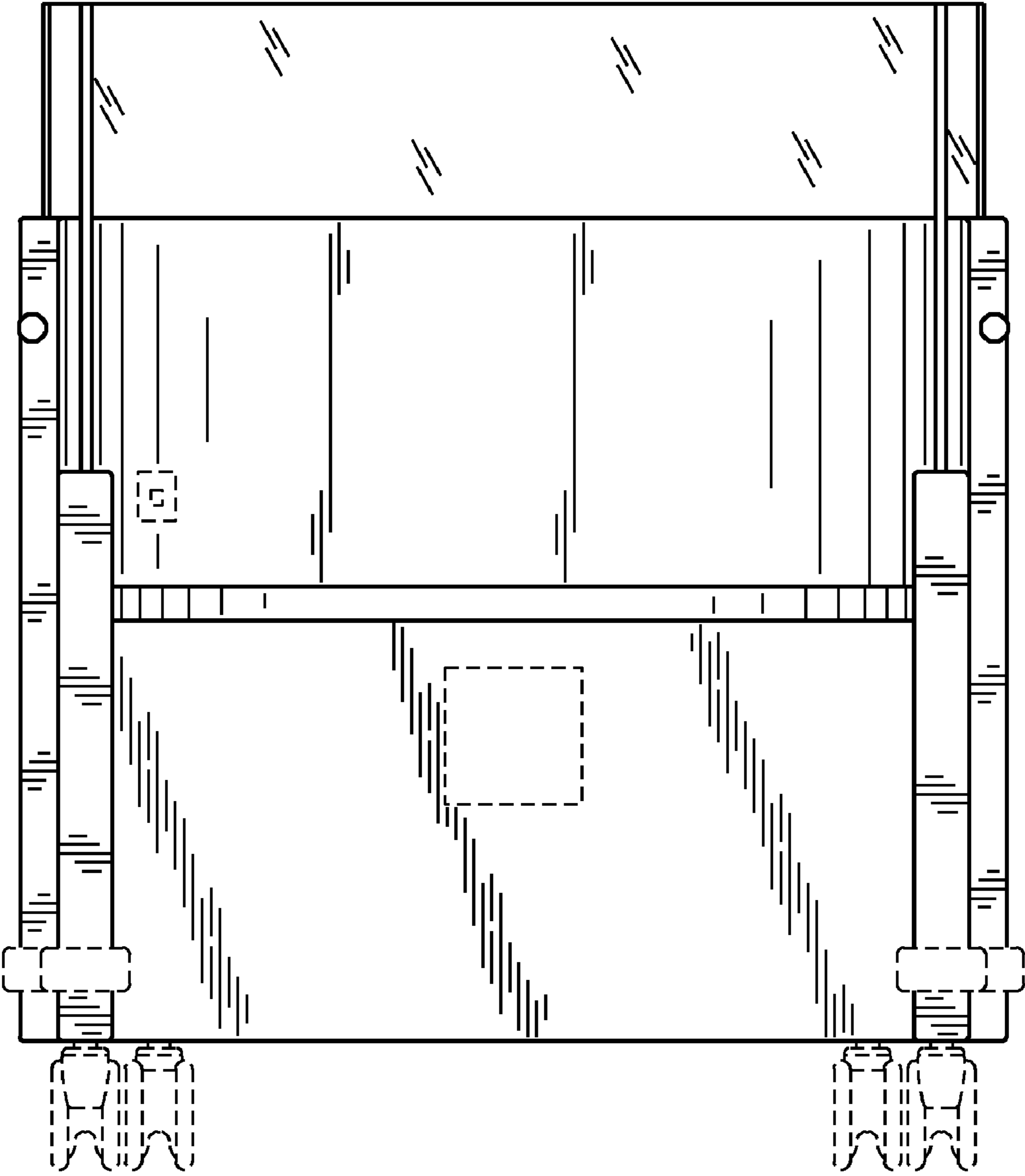


FIG. 12

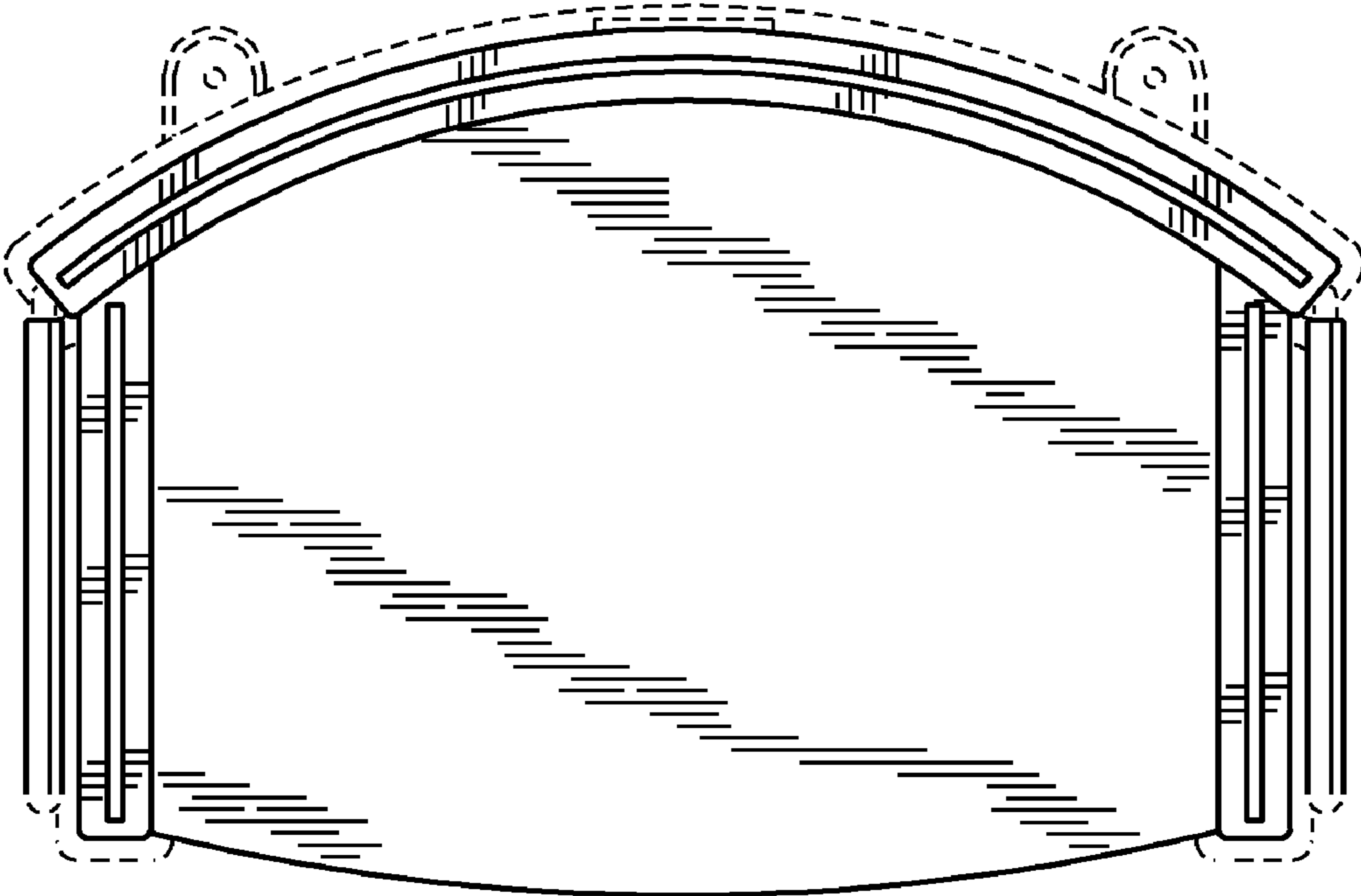


FIG. 13

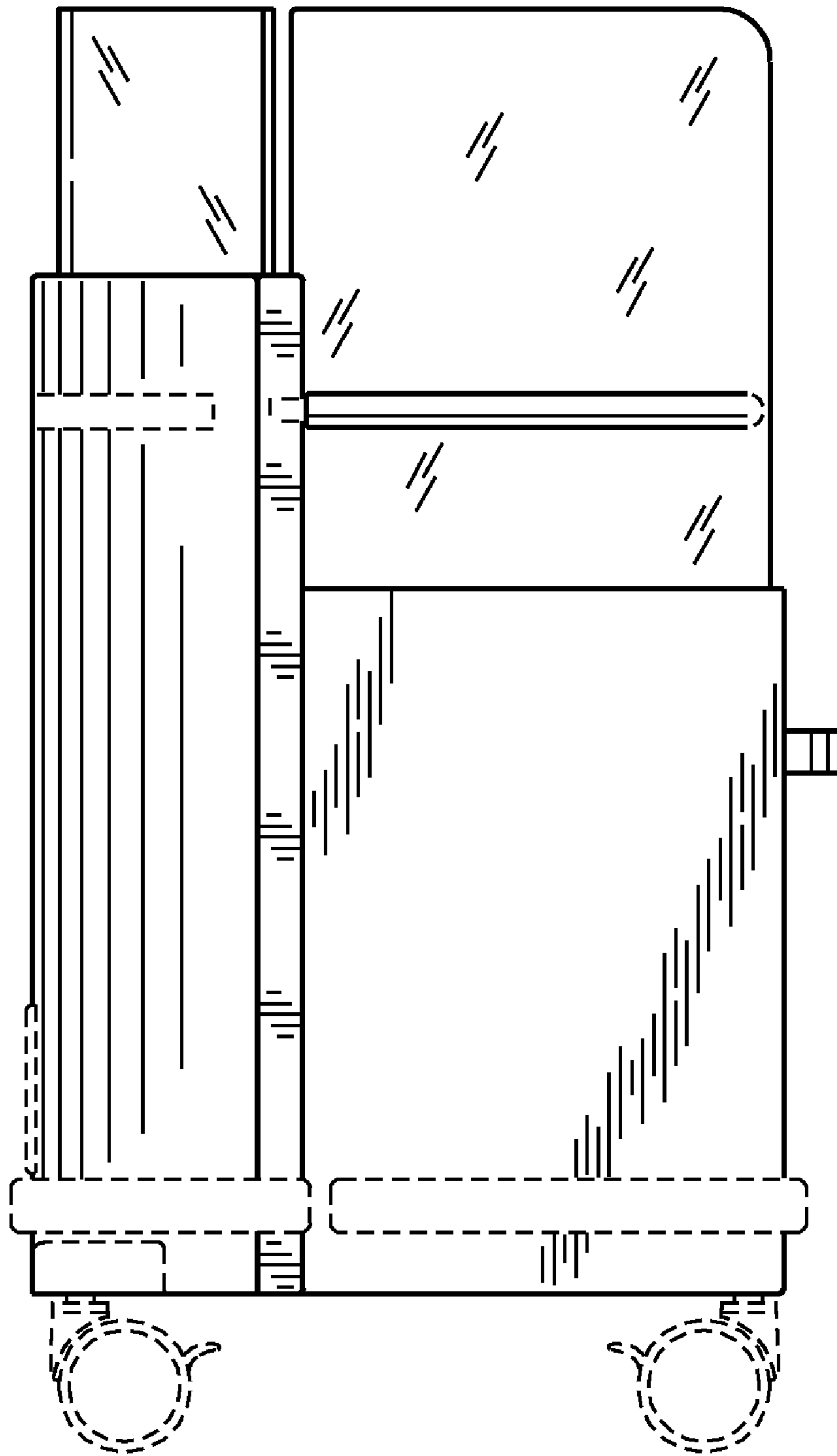


FIG. 14

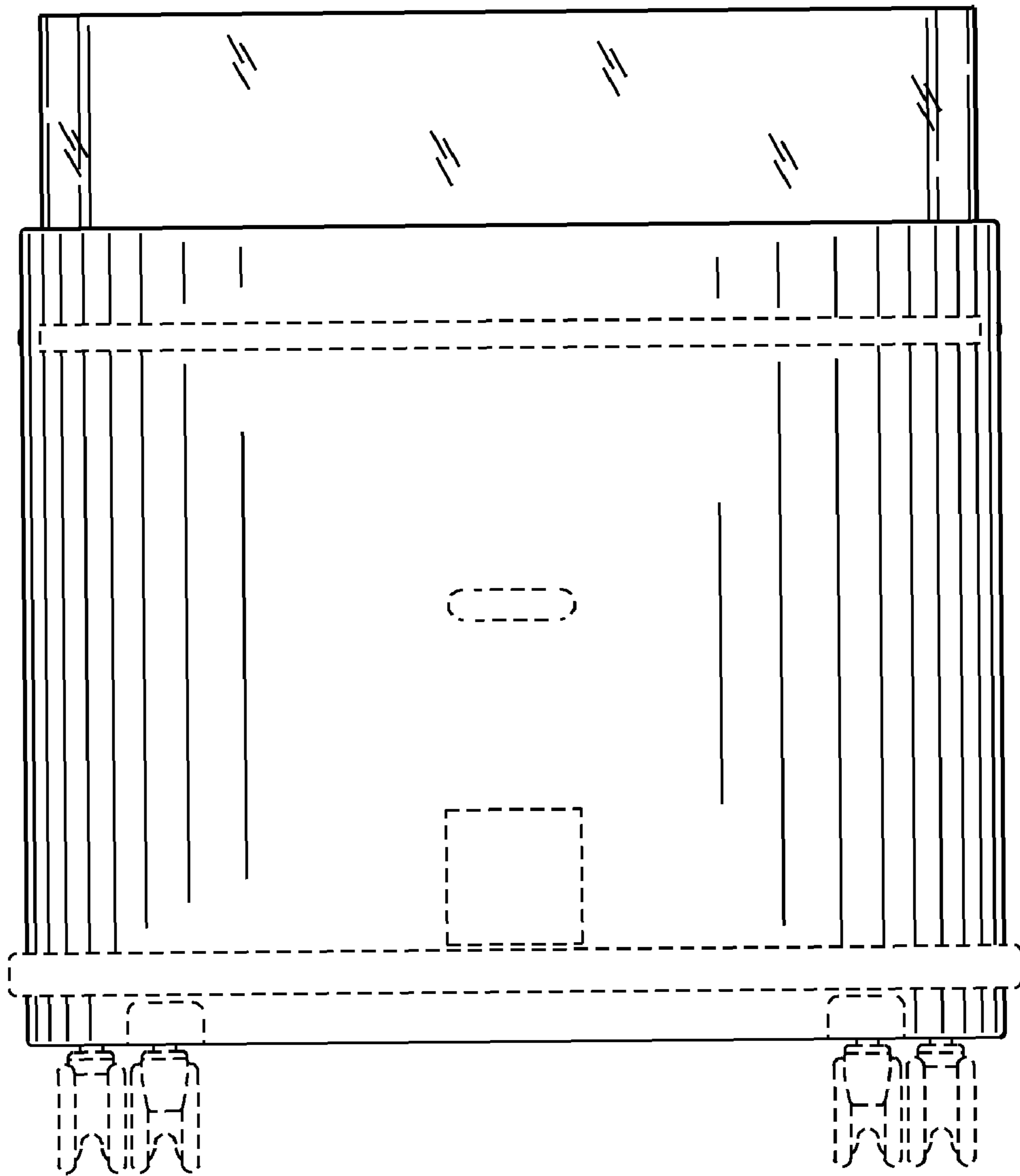


FIG. 15