



US00D626249S

(12) **United States Design Patent**
Wang et al.

(10) **Patent No.:** **US D626,249 S**
(45) **Date of Patent:** **** Oct. 26, 2010**

(54) **SPECIMEN COLLECTING AND TESTING DEVICE**

(75) Inventors: **Naishu Wang**, San Diego, CA (US);
David F. Zhou, San Diego, CA (US);
Wei Jin, Poway, CA (US)

(73) Assignee: **Alfa Scientific Designs, Inc.**, San Diego, CA (US)

(**) Term: **14 Years**

(21) Appl. No.: **29/340,604**

(22) Filed: **Jul. 21, 2009**

(51) **LOC (9) Cl.** **24-01**

(52) **U.S. Cl.** **D24/223**

(58) **Field of Classification Search** D24/216,
D24/222-226, 231, 232, 169; D10/80, 81;
422/99, 100, 102, 56, 58, 61, 68.1, 69; 435/288.1,
435/288.3, 289.1

See application file for complete search history.

(56) **References Cited**

U.S. PATENT DOCUMENTS

D328,136 S * 7/1992 Hayakawa D24/225
D341,663 S * 11/1993 Coulter D24/225
D342,575 S * 12/1993 Ashihara et al. D24/224
D369,868 S * 5/1996 Nazareth et al. D24/225
D391,373 S * 2/1998 Shartle D24/224

D412,990 S * 8/1999 Woolston et al. D24/223
5,980,828 A * 11/1999 McClintock et al. 422/58
D483,496 S * 12/2003 Kjendlie D24/223
D499,813 S * 12/2004 Wu D24/223
D502,263 S * 2/2005 Feller et al. D24/136

* cited by examiner

Primary Examiner—T. Chase Nelson

Assistant Examiner—Anhdao Doan

(74) *Attorney, Agent, or Firm*—Charmasson & Buchaca & Leach, LLP

(57) **CLAIM**

The ornamental design for a specimen collecting and testing device, as shown and described.

DESCRIPTION

FIG. 1 is a front elevational view of a specimen collecting and testing device showing my new design;

FIG. 2 is a back elevational view thereof;

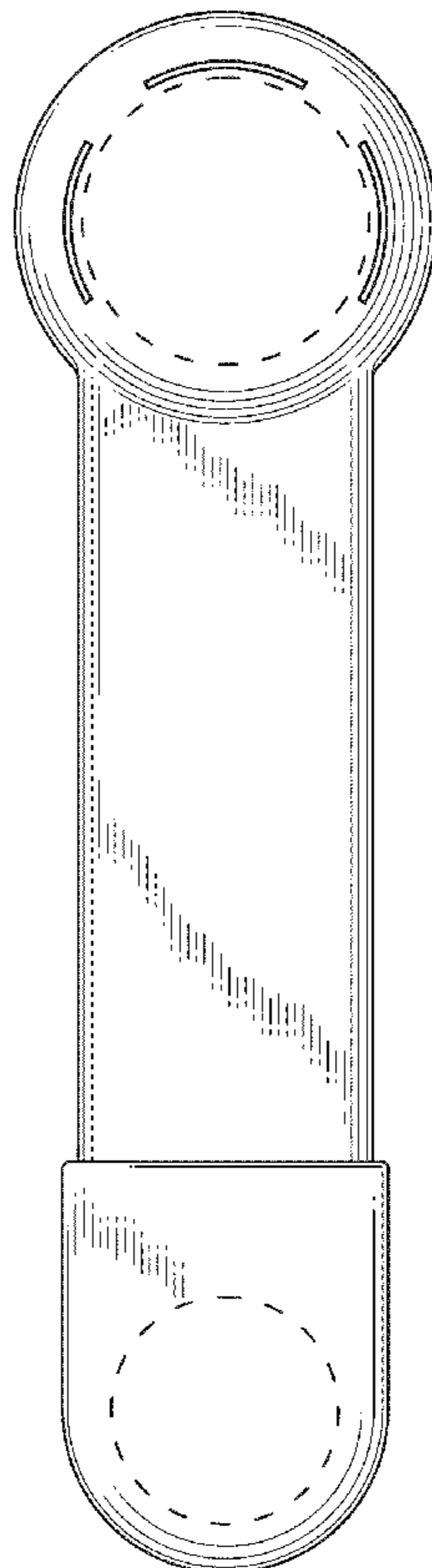
FIG. 3 is a right side elevational view thereof, the left side elevational view being a mirror image thereof;

FIG. 4 is a top plan view thereof; and,

FIG. 5 is a bottom plan view thereof.

The broken lines in FIGS. 1 and 2 represent the bounds of the claim and form no part of the claimed design.

1 Claim, 3 Drawing Sheets



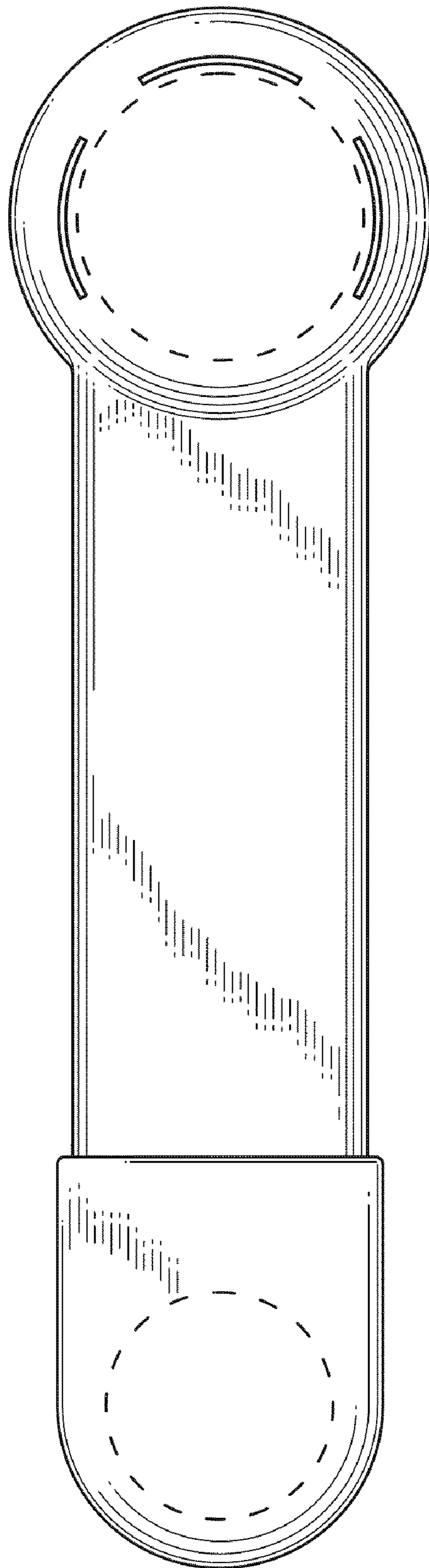


FIG. 1

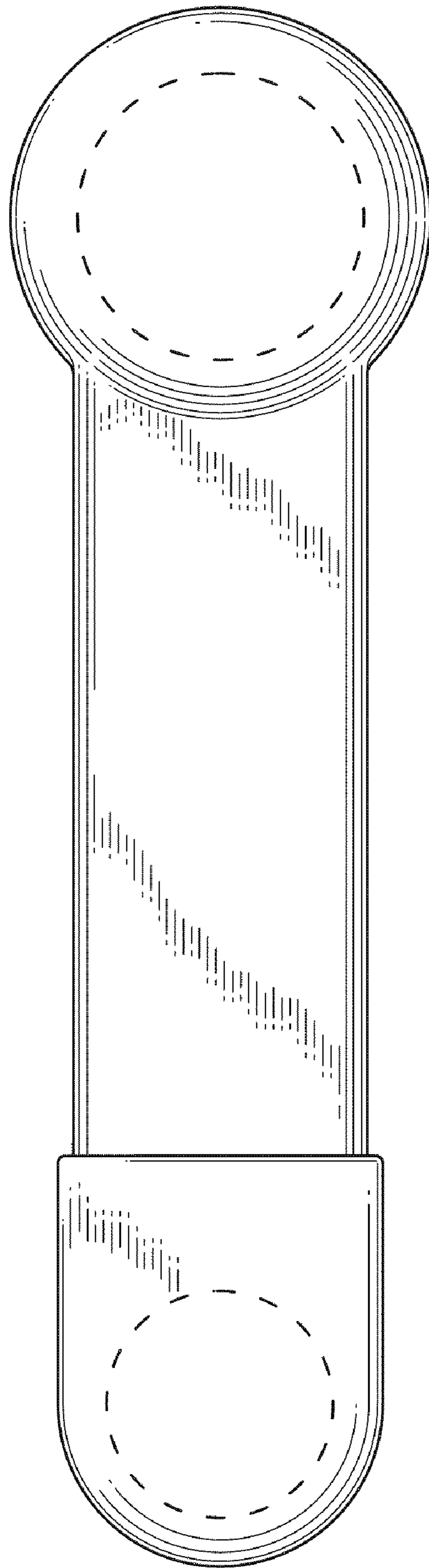


FIG. 2

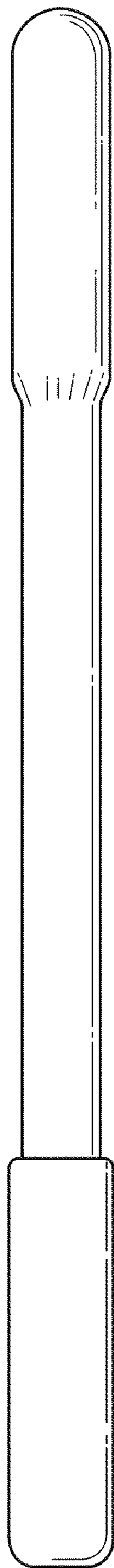


FIG. 3



FIG. 4

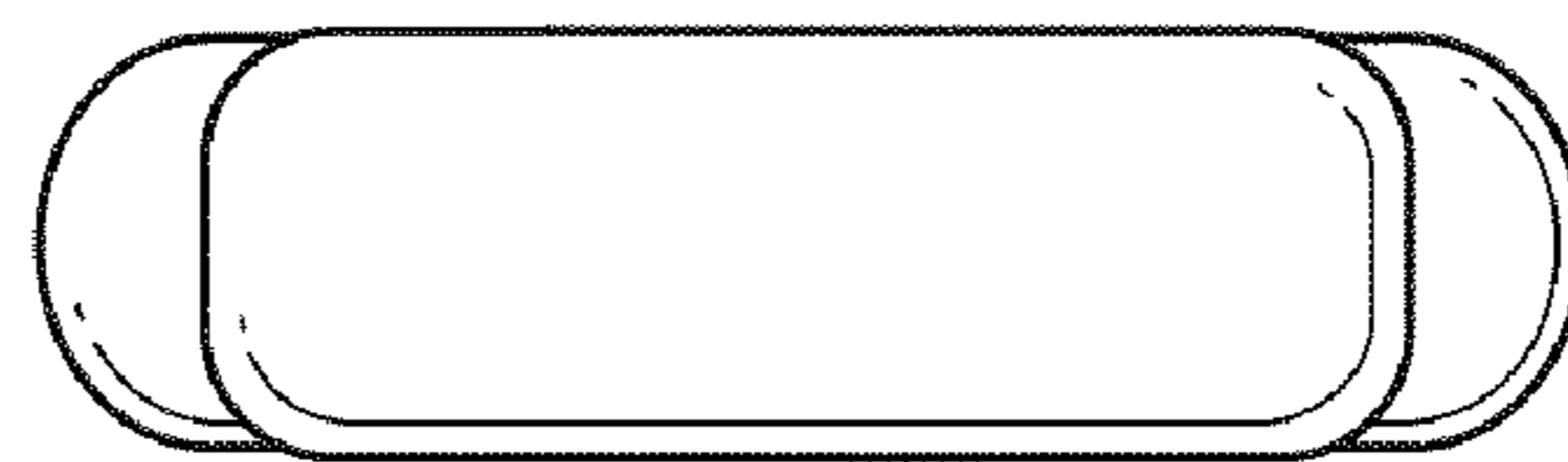


FIG. 5