



US00D626244S

(12) **United States Design Patent**
Sagnip et al.

(10) **Patent No.:** **US D626,244 S**

(45) **Date of Patent:** **** Oct. 26, 2010**

(54) **BACK WRAP FOR MAINTAINING ELECTRODES ADJACENT BODY FOR PHYSICAL THERAPY**

(75) Inventors: **Chad Beltran Sagnip**, Land O Lakes, FL (US); **Lynn Trimble**, Dallas, TX (US)

(73) Assignee: **Electrostim Medical Services, Inc.**, Tampa, FL (US)

(**) Term: **14 Years**

(21) Appl. No.: **29/351,175**

(22) Filed: **Dec. 1, 2009**

(51) **LOC (9) Cl.** **24-01**

(52) **U.S. Cl.** **D24/190**

(58) **Field of Classification Search** D24/188-190, D24/200, 206; D29/100, 101.1, 101.3, 101.5; D2/624, 627, 629, 634, 635; 602/5, 19, 13; 128/DIG. 20, 100, 101.1-101.5; 2/44-45, 2/300, 338, 463-465; D21/662
See application file for complete search history.

(56) **References Cited**

U.S. PATENT DOCUMENTS

3,441,027	A *	4/1969	Lehman	450/154
3,570,480	A *	3/1971	Stubbs	602/19
D273,331	S *	4/1984	Gruber	D24/190
D278,657	S *	4/1985	Nakao et al.	D24/190
5,122,111	A *	6/1992	Sebastian et al.	602/19
5,179,942	A *	1/1993	Drulias et al.	128/101.1
5,188,586	A *	2/1993	Castel et al.	602/19
5,302,171	A *	4/1994	Pearson et al.	602/19
D349,767	S *	8/1994	Courtet	D24/190
D353,890	S *	12/1994	McKeel	D24/190
5,560,046	A *	10/1996	Iwamasa et al.	2/328

(Continued)

Primary Examiner—Susan E Krakower

(74) *Attorney, Agent, or Firm*—Workman Nydegger

(57) **CLAIM**

The ornamental design for back wrap for maintaining electrodes adjacent body for physical therapy, as shown and described.

DESCRIPTION

FIG. 1 is a perspective view of a first embodiment of a back wrap for maintaining electrodes adjacent body for physical therapy;

FIG. 2 is a front view of the back wrap of FIG. 1;

FIG. 3 is a rear view of the back wrap of FIG. 1;

FIG. 4 is a left side view of the back wrap of FIG. 1;

FIG. 5 is a right side view of the back wrap of FIG. 1;

FIG. 6 is a bottom end view of the back wrap of FIG. 1, the opposing, top end view being the mirror image thereof;

FIG. 7 is a perspective view of the back wrap of FIG. 1, shown in condition of use;

FIG. 8 is a perspective view of a second embodiment of a back wrap for maintaining electrodes adjacent body for physical therapy;

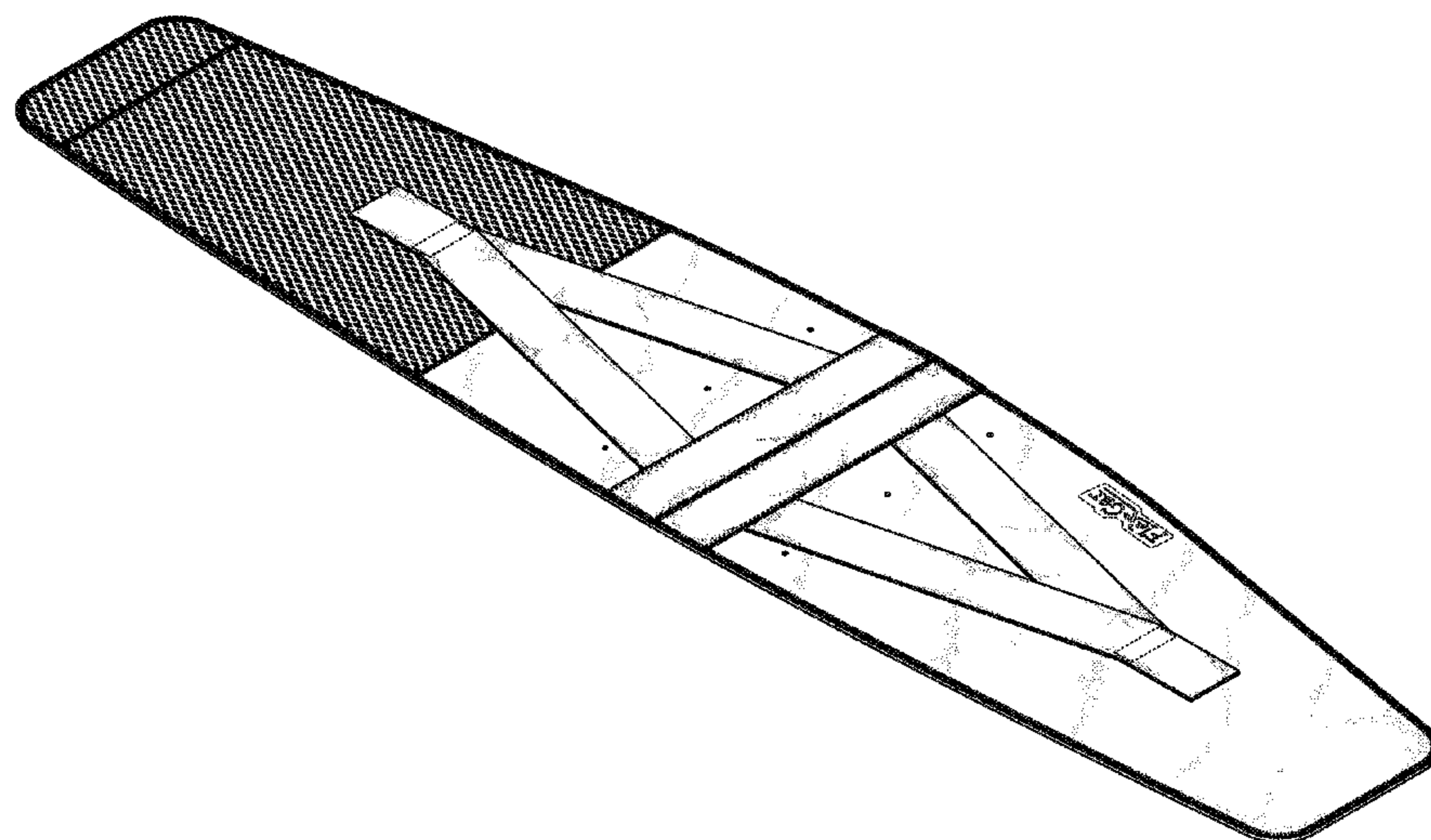
FIG. 9 is a front view of the back wrap of FIG. 8; and,

FIG. 10 is a rear view of the back wrap of FIG. 8.

The left side view and right side view of the back wrap of FIG. 8 are shown in FIGS. 4 and 5 respectively, identified above. The bottom end view of the back wrap of FIG. 8 is shown in FIG. 6, the top end view of the back wrap of FIG. 8 being a mirror image thereof.

The broken lines illustrate environmental structure and portions of the back wrap which form no part of the claimed design.

1 Claim, 5 Drawing Sheets



US D626,244 S

Page 2

U.S. PATENT DOCUMENTS

5,591,122	A *	1/1997	Yewer, Jr.	602/19	D435,611	S *	12/2000	Hines	D21/662
5,722,940	A *	3/1998	Gaylord et al.	602/19	D437,416	S *	2/2001	Slutterback	D24/190
D394,707	S *	5/1998	Tsubooka	D24/190	6,342,044	B1 *	1/2002	Frangi et al.	602/19
5,785,672	A *	7/1998	Mattison et al.	602/19	6,755,799	B2 *	6/2004	Toda	602/19
5,820,575	A *	10/1998	Cabrera et al.	602/19	D492,787	S *	7/2004	Weaver et al.	D24/190
D404,490	S *	1/1999	Tripolsky	D24/190	D496,108	S *	9/2004	Machin et al.	D24/206
5,984,885	A *	11/1999	Gaylord et al.	602/19	D499,846	S *	12/2004	Cesko	D29/101.3
D418,948	S *	1/2000	London	D29/101.1	6,921,375	B2 *	7/2005	Kihara	602/5
6,068,606	A *	5/2000	Castel et al.	602/19	7,001,348	B2 *	2/2006	Garth et al.	602/5
6,080,121	A *	6/2000	Madow et al.	602/5	7,449,006	B2 *	11/2008	Wolanske	602/19
6,146,345	A *	11/2000	Mignard	602/19	2010/0049109	A1 *	2/2010	Stewart, III	602/19

* cited by examiner

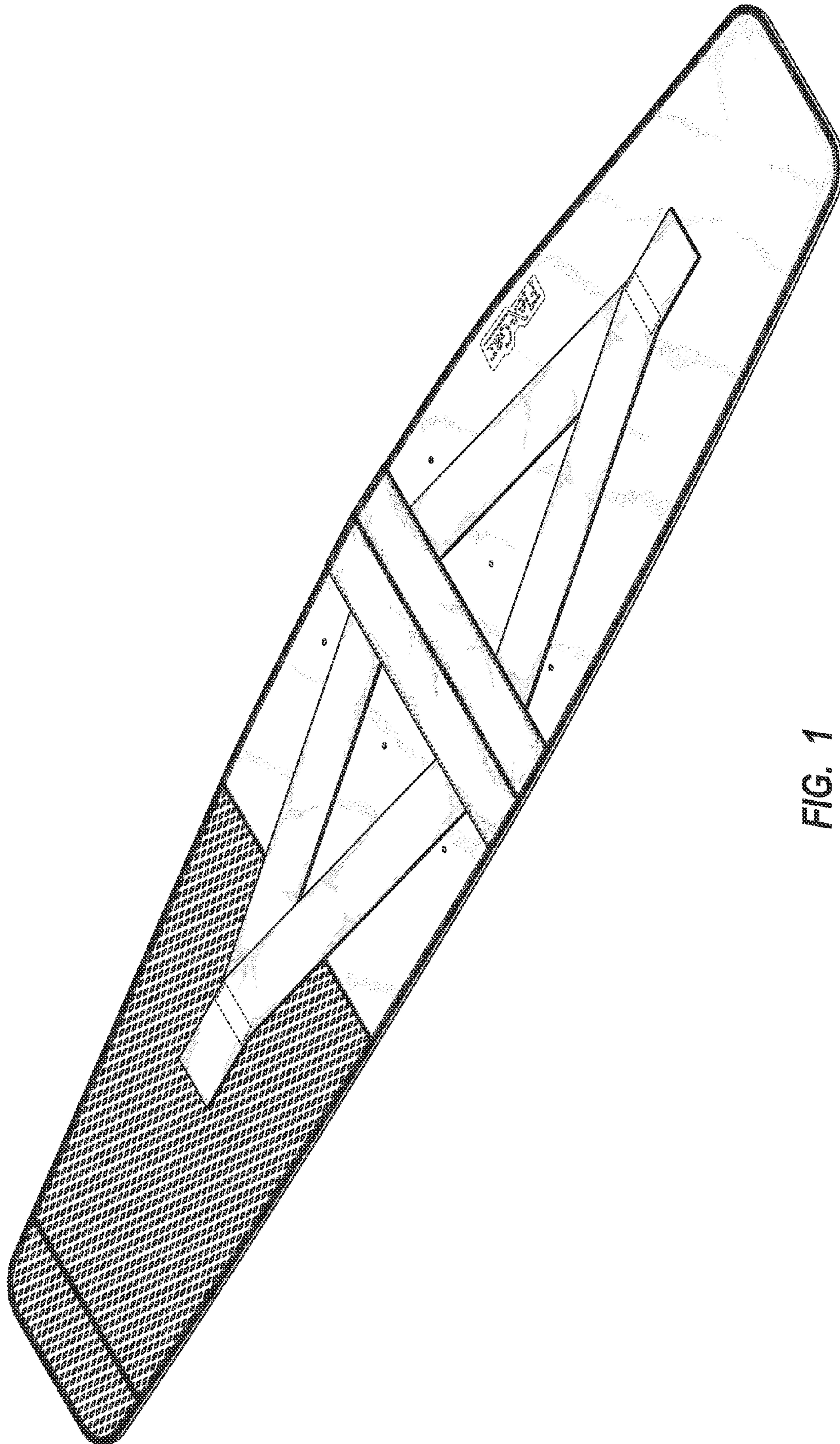


FIG. 1

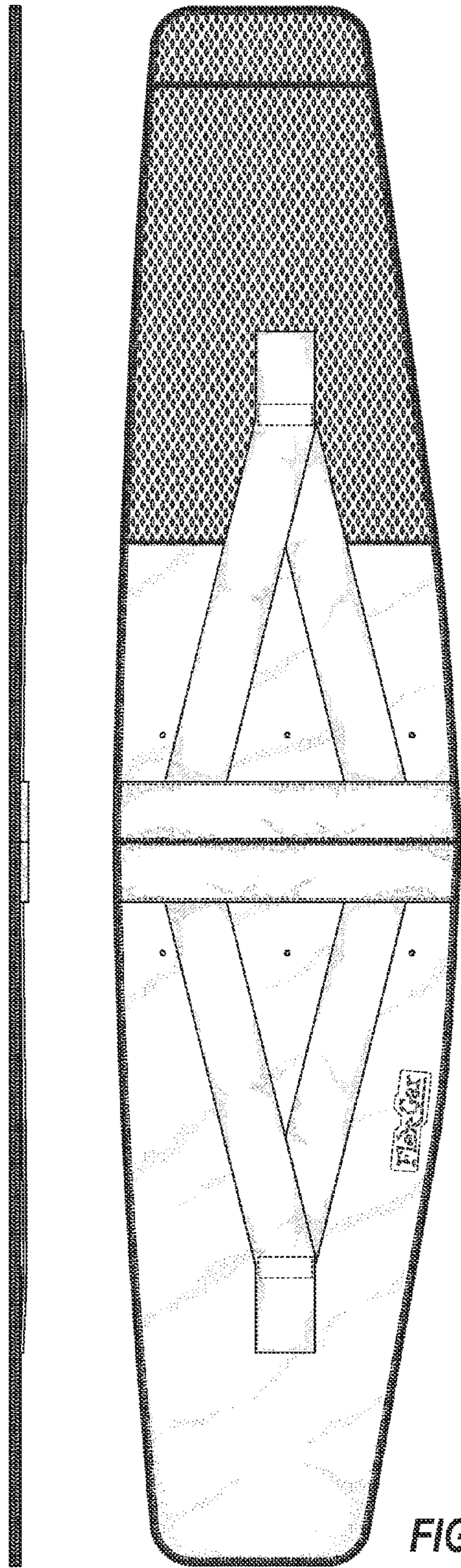


FIG. 2

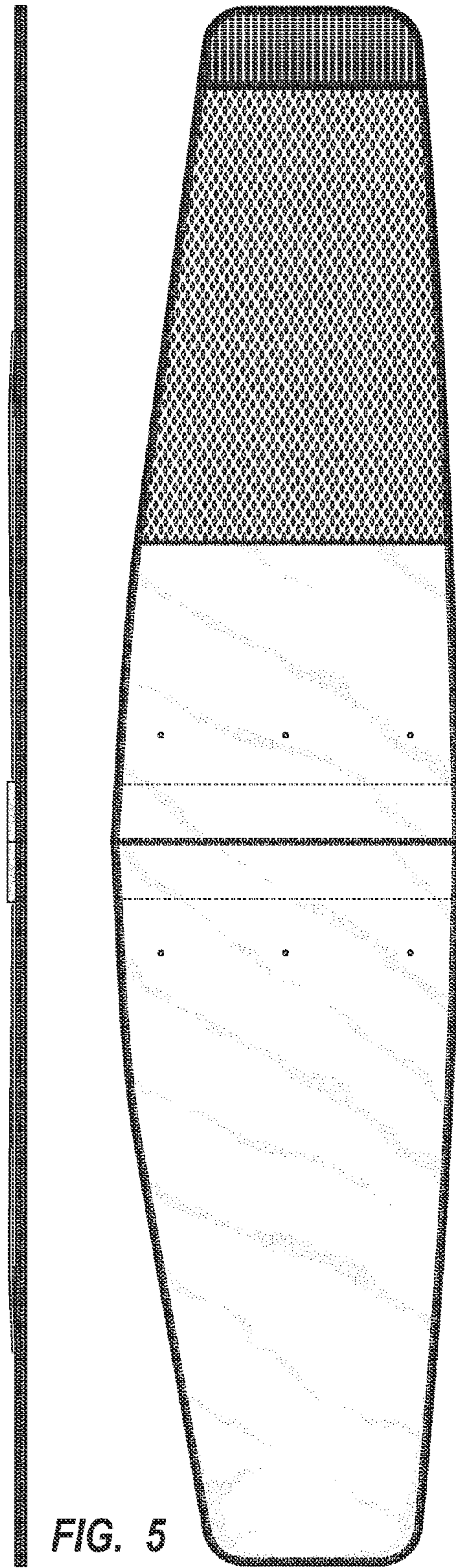


FIG. 5

FIG. 3

FIG. 4



FIG. 6

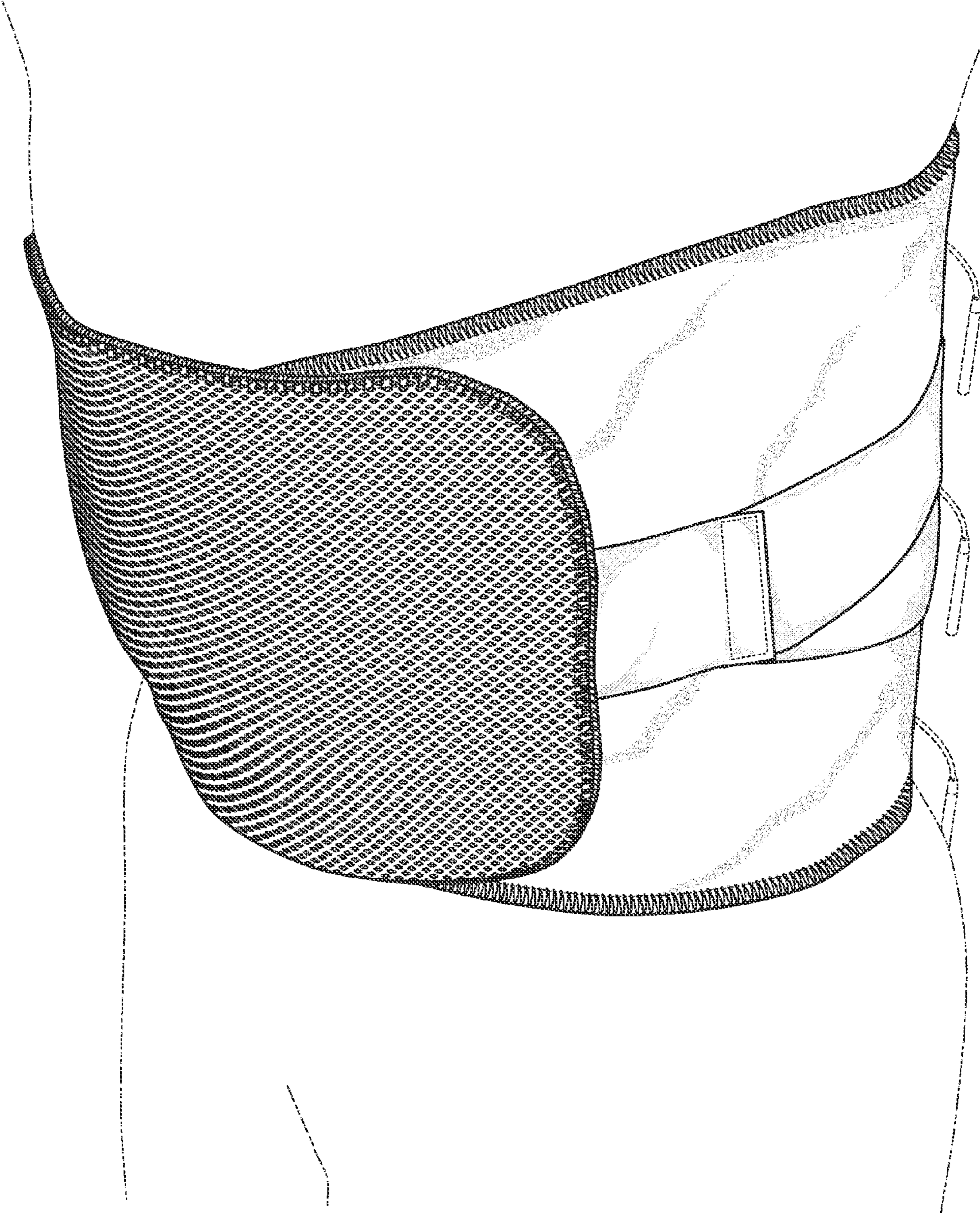


FIG. 7

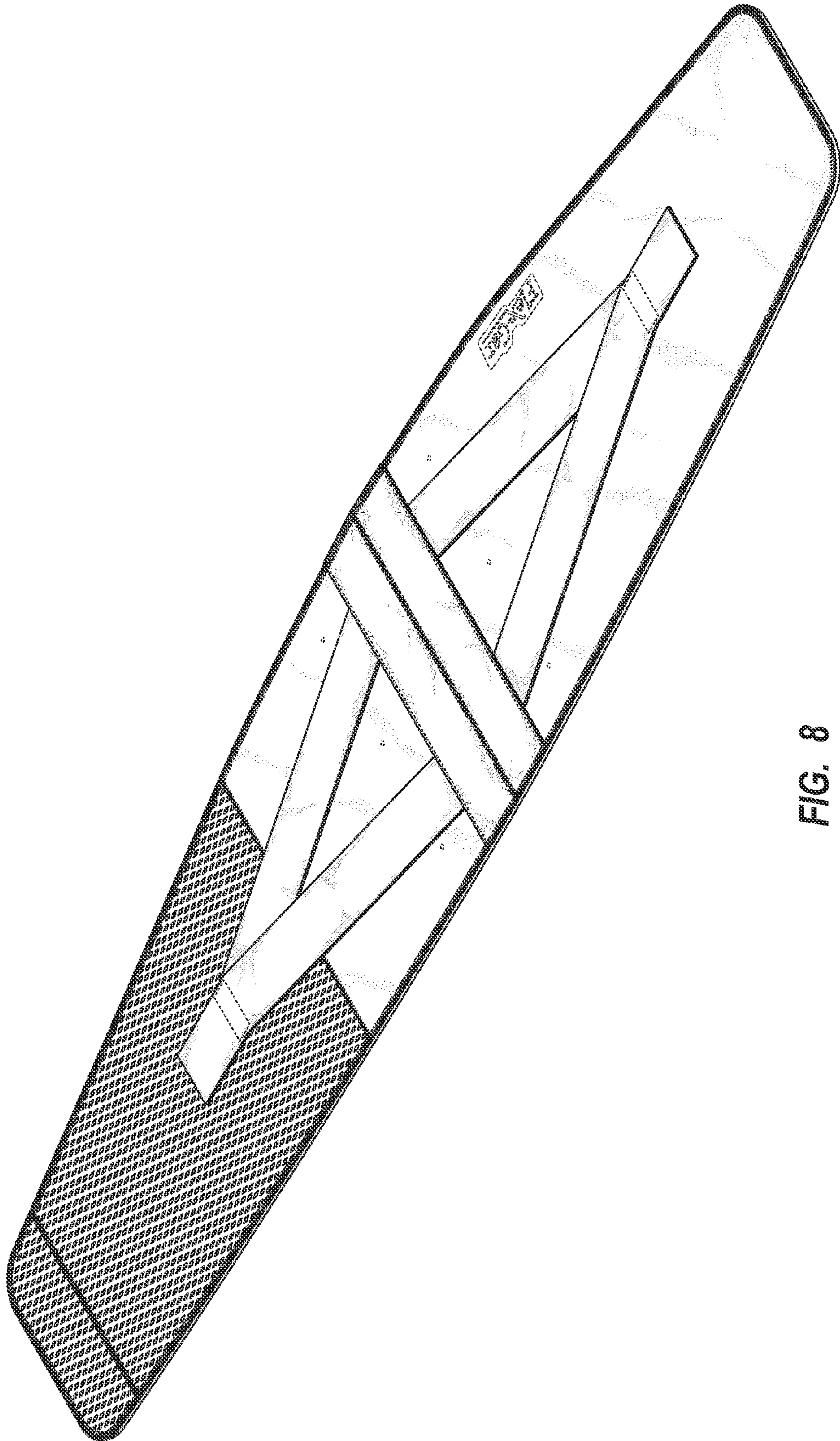


FIG. 8

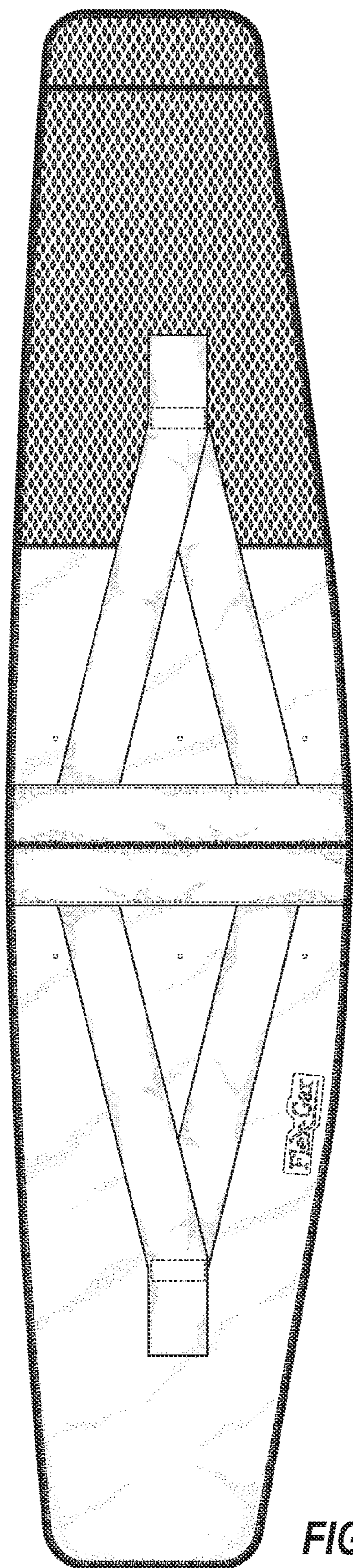


FIG. 9

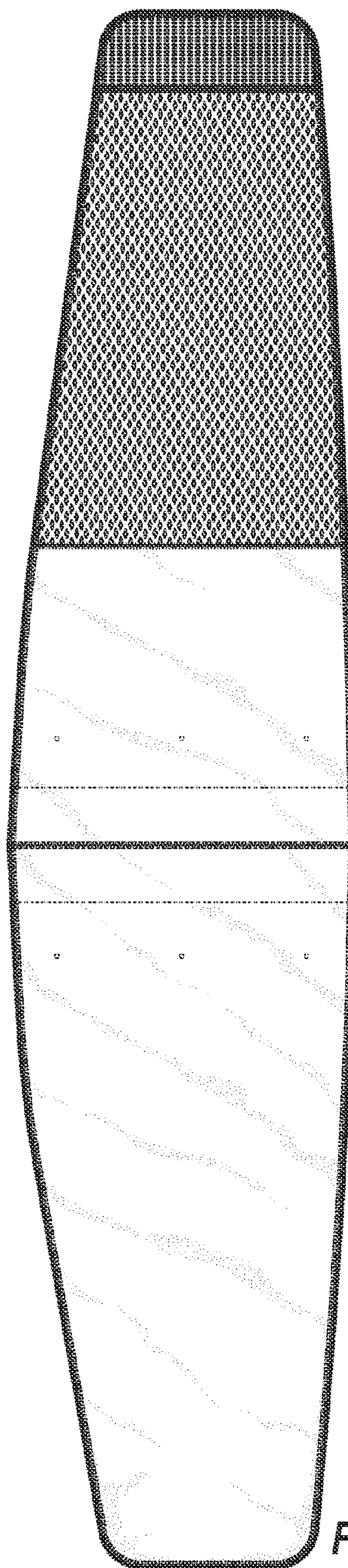


FIG. 10