



US00D626243S

(12) **United States Design Patent**
Sagnip et al.

(10) **Patent No.:** **US D626,243 S**

(45) **Date of Patent:** **** Oct. 26, 2010**

(54) **KNEE WRAP**

(75) Inventors: **Chad Beltran Sagnip**, Land O Lakes, FL (US); **Lynn Trimble**, Dallas, TX (US)

(73) Assignee: **Electrostim Medical Services, Inc.**, Tampa, FL (US)

(**) Term: **14 Years**

(21) Appl. No.: **29/351,172**

(22) Filed: **Dec. 1, 2009**

(51) **LOC (9) Cl.** **24-01**

(52) **U.S. Cl.** **D24/190**

(58) **Field of Classification Search** D24/190, D24/192, 100, 206, 207; D29/120.1, 120.2, D29/121.1, 121.2; 602/2, 5, 6, 16, 20, 23, 602/26, 60-66; 607/108

See application file for complete search history.

(56) **References Cited**

U.S. PATENT DOCUMENTS

3,463,147	A *	8/1969	Stubbs	602/20
5,139,476	A *	8/1992	Peters	602/26
D329,498	S *	9/1992	Pryor	D24/206
5,728,058	A *	3/1998	Ouellette et al.	602/62
5,759,167	A *	6/1998	Shields et al.	602/26
D403,424	S *	12/1998	Taylor et al.	D24/190
D404,494	S *	1/1999	Wood	D24/207
5,860,945	A *	1/1999	Cramer et al.	602/62
D461,903	S *	8/2002	Garcia	D24/206
6,589,272	B1 *	7/2003	Sheikh	607/108
D478,995	S *	8/2003	Cipra et al.	D24/206
7,004,919	B2 *	2/2006	Gaylord et al.	602/62

2006/0264794	A1 *	11/2006	Fuchs et al.	602/26
2008/0188786	A1 *	8/2008	Hickling	602/26
2010/0056969	A1 *	3/2010	Thielscher et al.	602/23

* cited by examiner

Primary Examiner—Susan E Krakower

(74) *Attorney, Agent, or Firm*—Workman Nydegger

(57) **CLAIM**

The ornamental design for a knee wrap, as shown and described.

DESCRIPTION

FIG. 1 is a perspective view of a first embodiment of a knee wrap showing our new design;

FIG. 2 is a front view of the knee wrap of FIG. 1;

FIG. 3 is a rear view of the knee wrap of FIG. 1;

FIG. 4 is a left side view of the knee wrap of FIG. 1;

FIG. 5 is a right side view of the knee wrap of FIG. 1;

FIG. 6 is top end view of the knee wrap of FIG. 1;

FIG. 7 is a bottom end view of the knee wrap of FIG. 1;

FIG. 8 is a perspective view of a second embodiment of a knee wrap showing our new design;

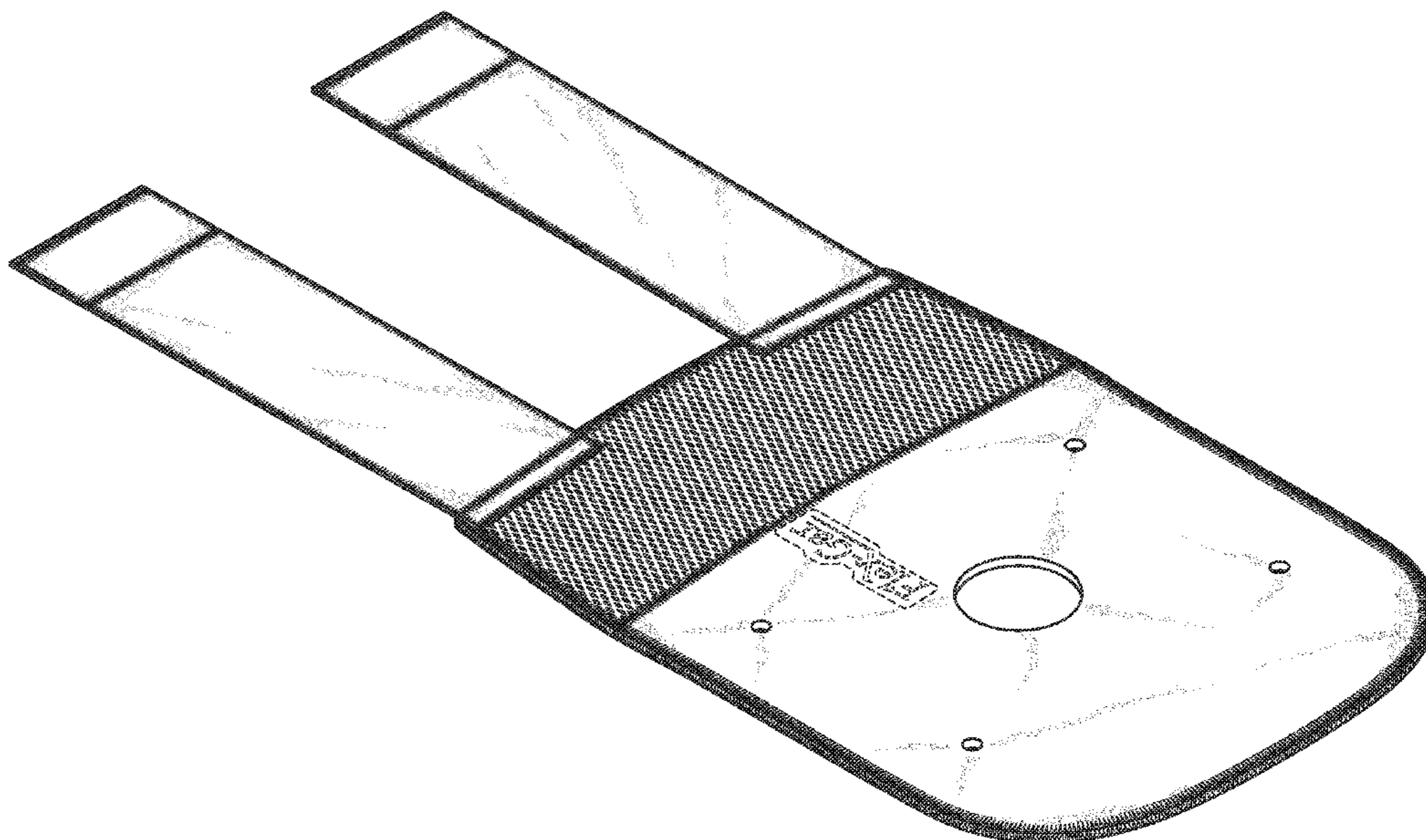
FIG. 9 is a front view of the knee wrap of FIG. 8; and,

FIG. 10 is a rear view of the knee wrap of FIG. 8.

The left side, right side, top end and bottom end views of the knee wrap of FIG. 8 are shown in respective FIGS. 4, 5, 6 and 7 described above.

The broken lines illustrate environmental structure and form no part of the claimed design.

1 Claim, 6 Drawing Sheets



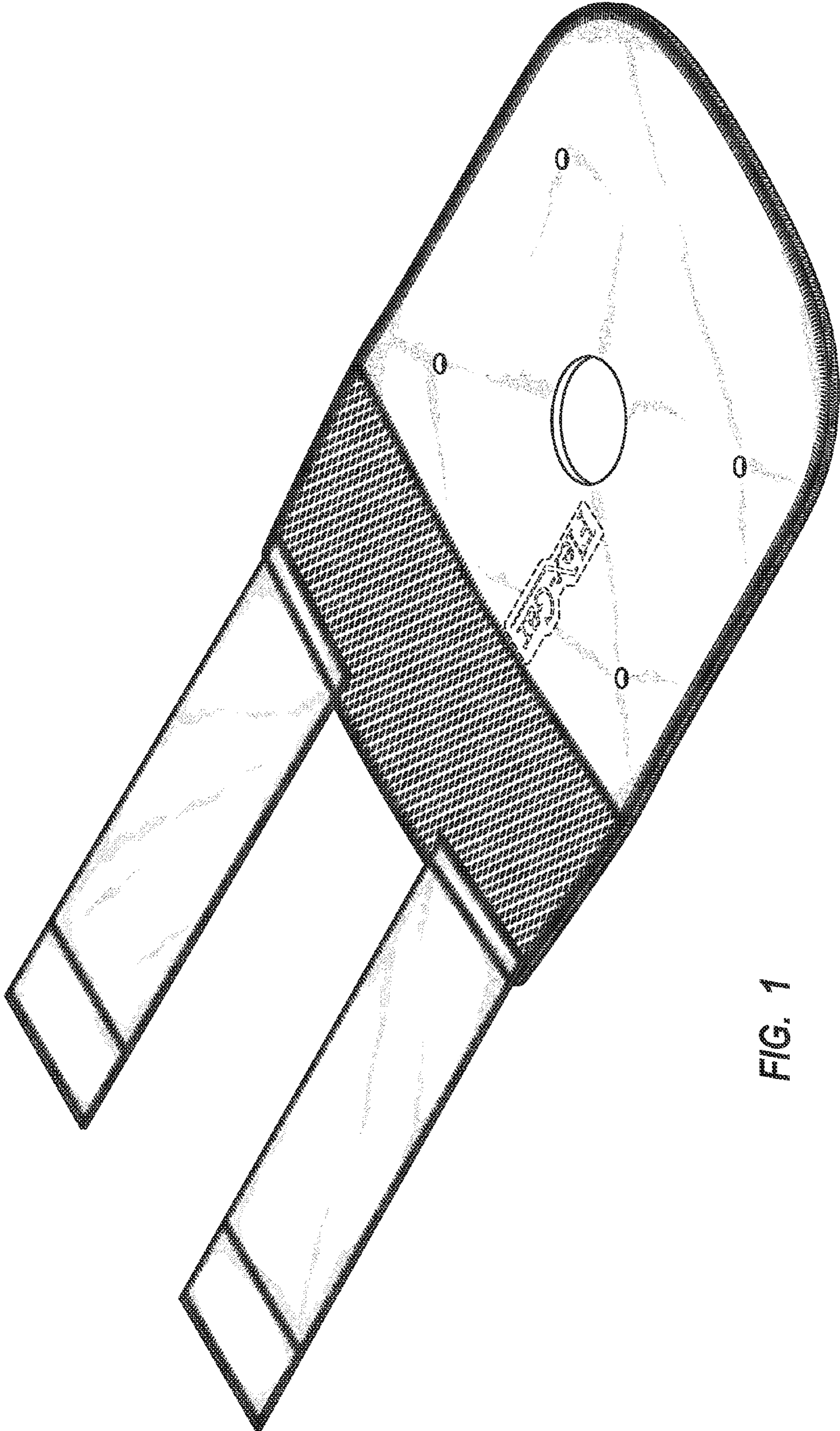


FIG. 1

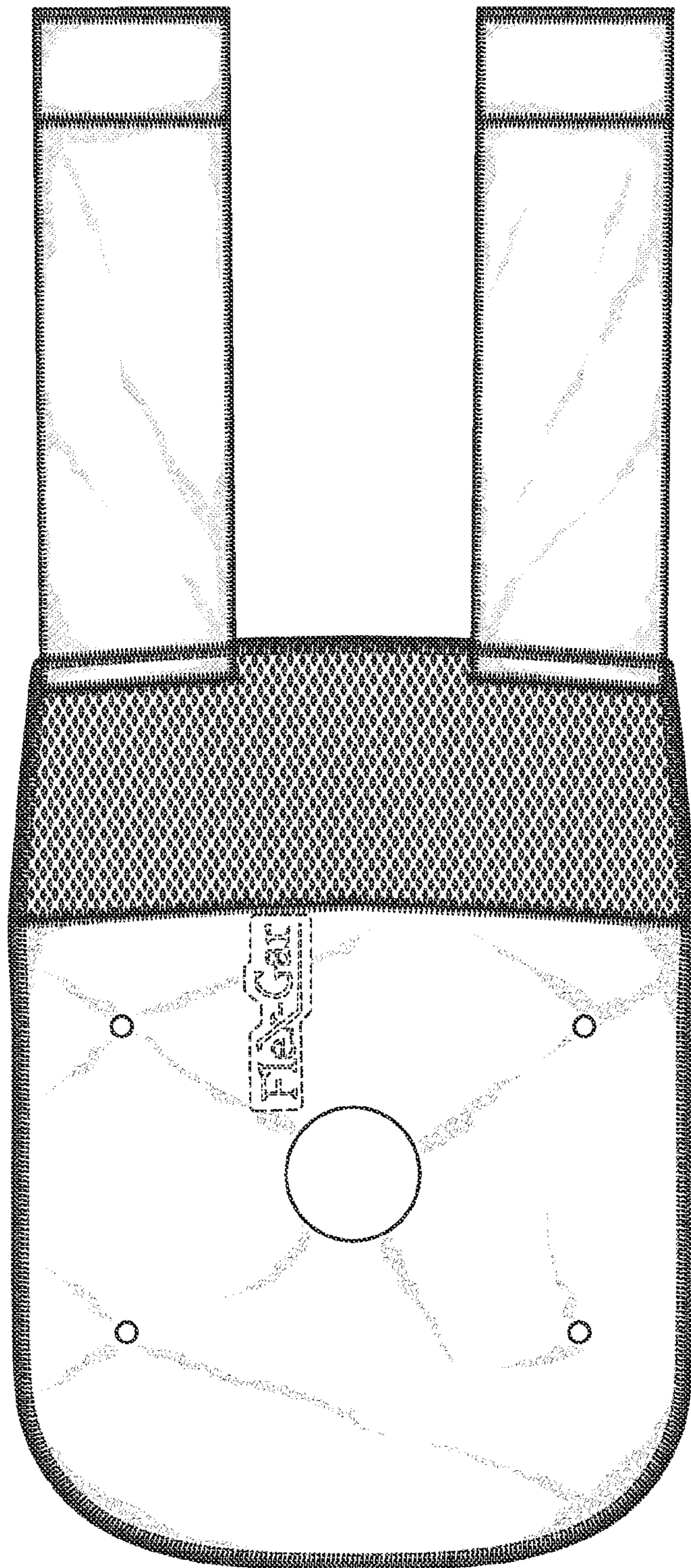


FIG. 2



FIG. 6

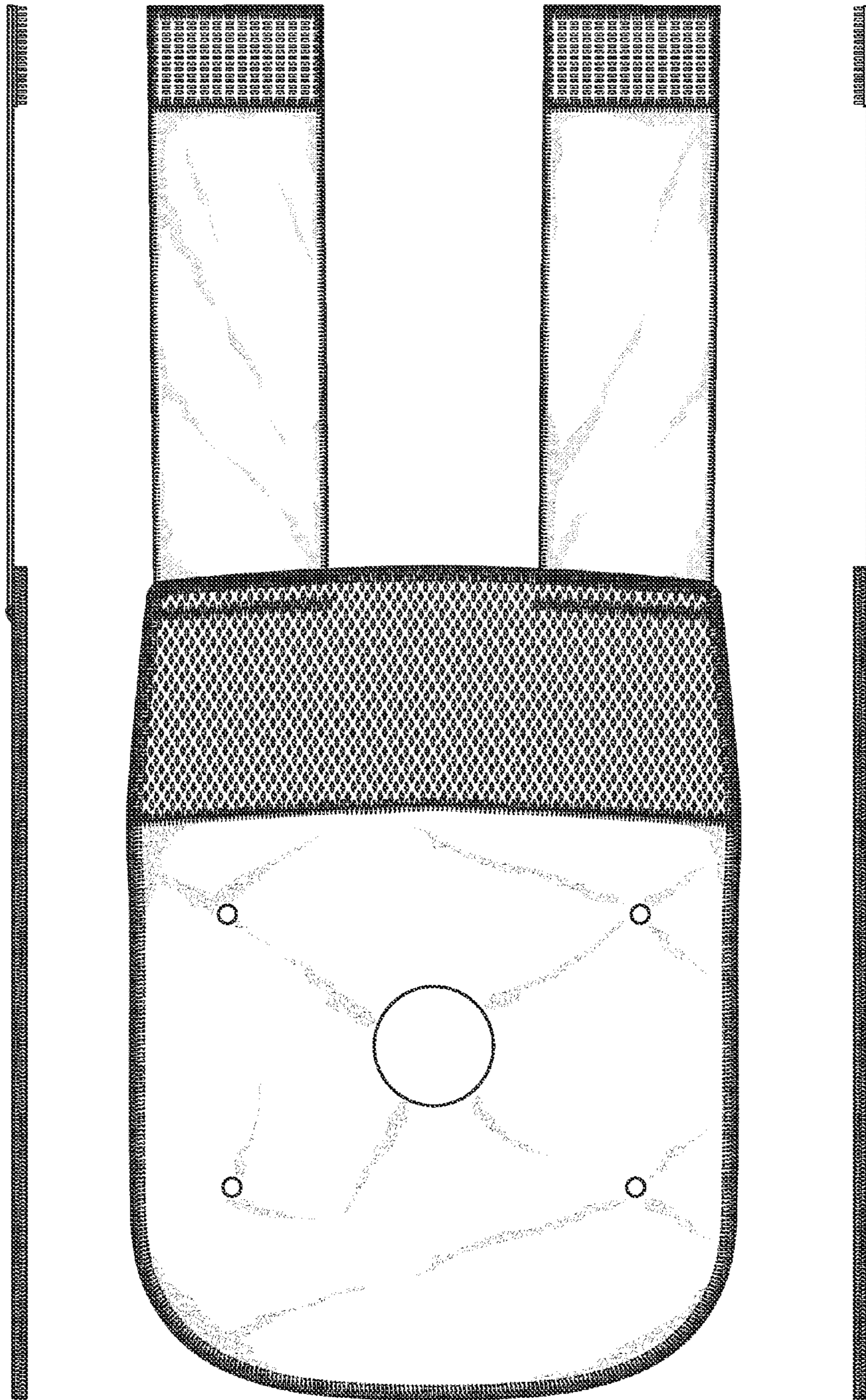


FIG. 4

FIG. 3

FIG. 5



FIG. 7

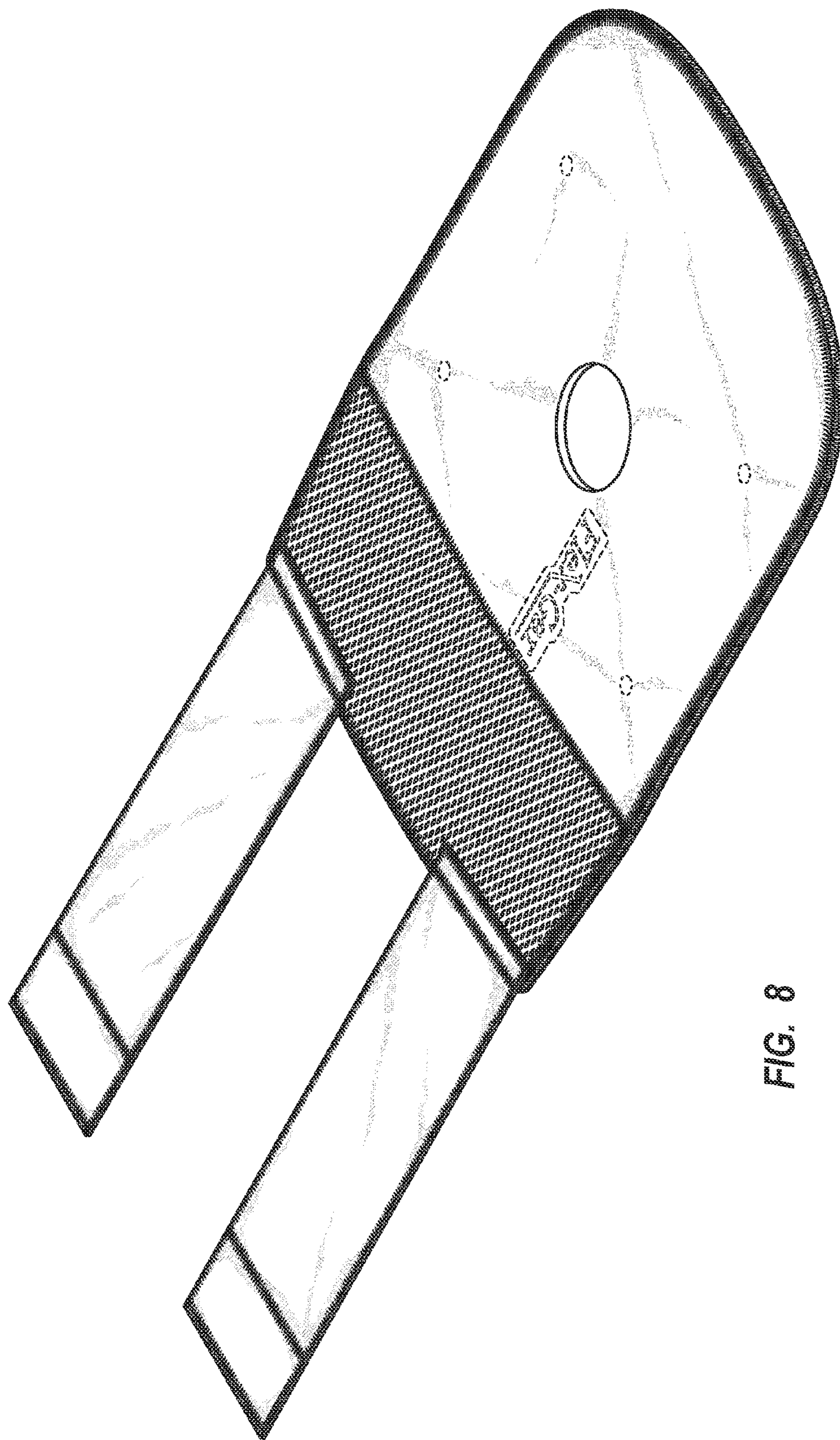


FIG. 8

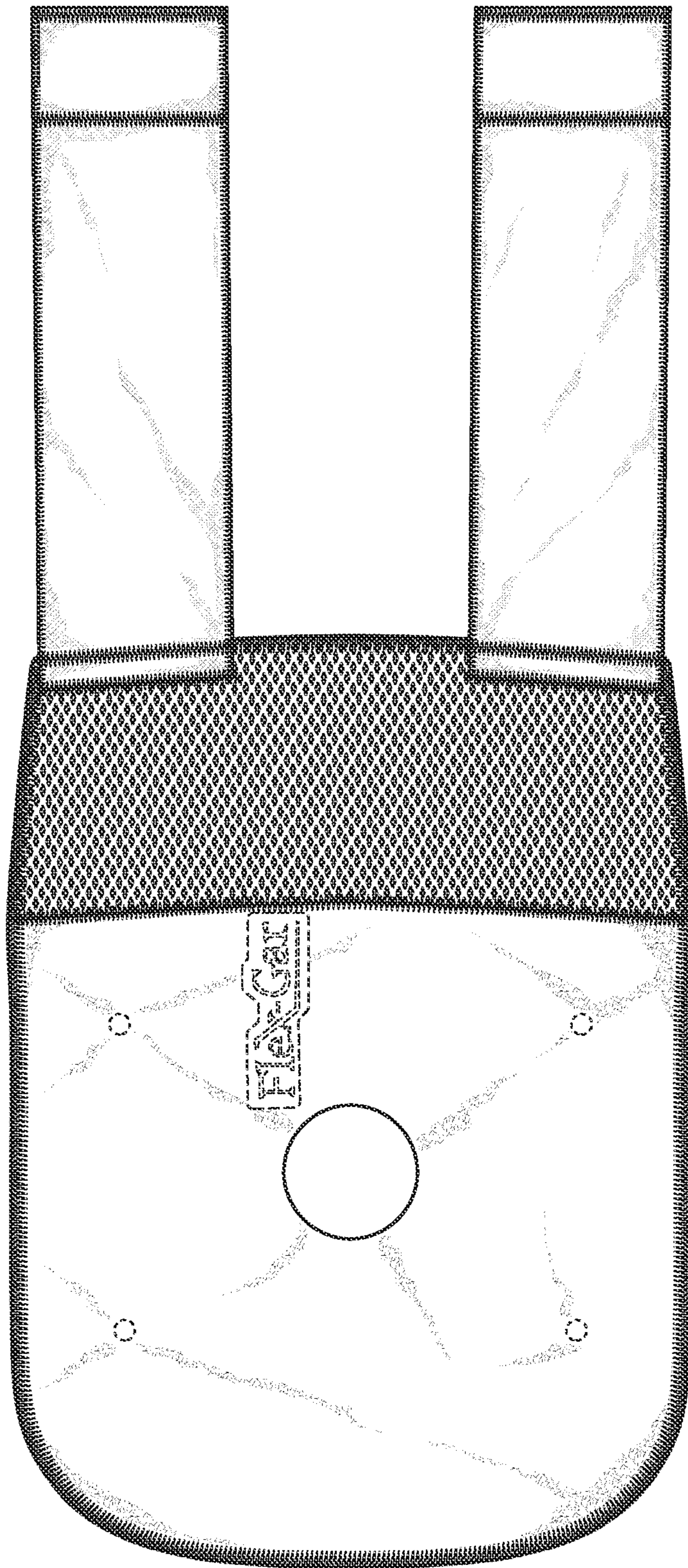


FIG. 9

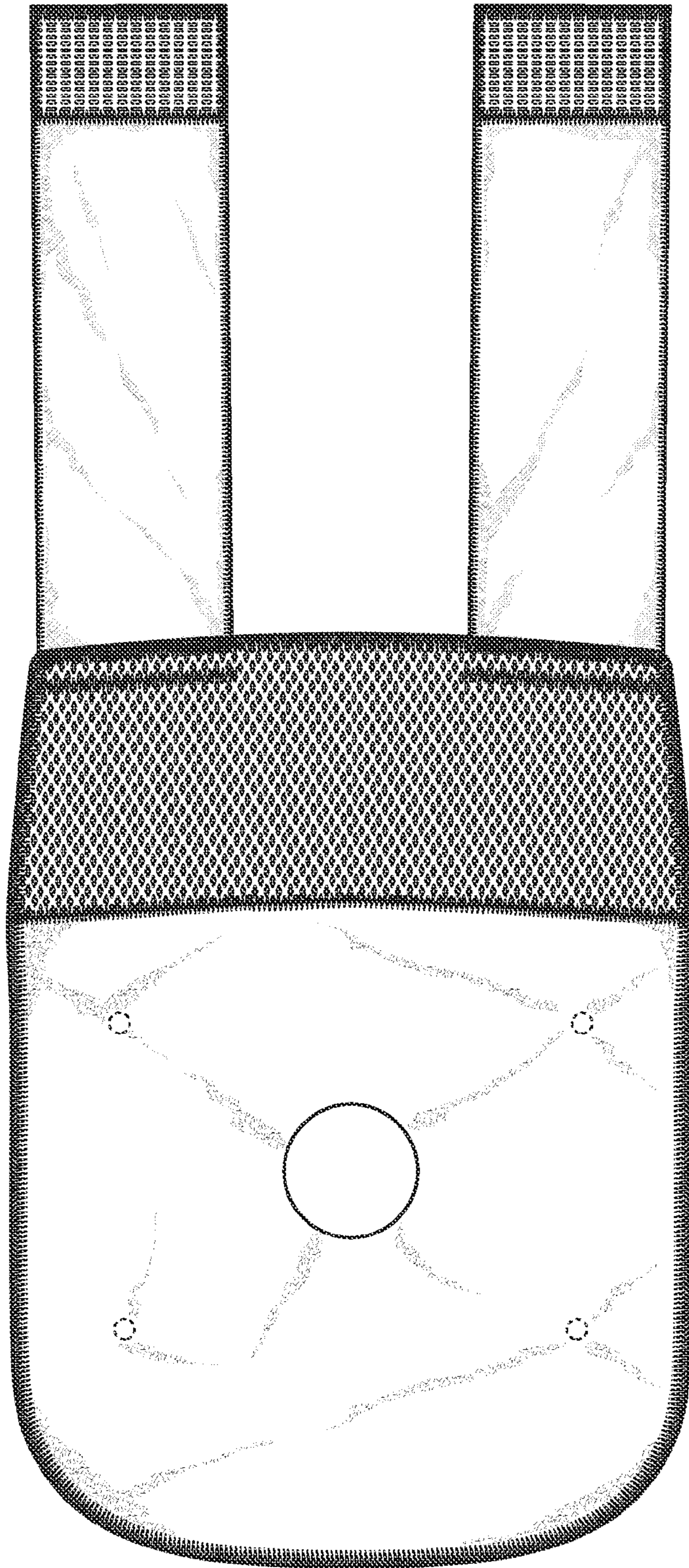


FIG. 10