



US00D626241S

(12) **United States Design Patent**
Sagnip et al.

(10) **Patent No.:** **US D626,241 S**
(45) **Date of Patent:** **** Oct. 26, 2010**

(54) **ELBOW WRAP**

(75) Inventors: **Chad Beltran Sagnip**, Land O Lakes, FL (US); **Lynn Trimble**, Dallas, TX (US)

(73) Assignee: **Electrostim Medical Services, Inc.**, Tampa, FL (US)

(**) Term: **14 Years**

(21) Appl. No.: **29/351,159**

(22) Filed: **Dec. 1, 2009**

(51) **LOC (9) Cl.** **24-01**

(52) **U.S. Cl.** **D24/190**

(58) **Field of Classification Search** D24/190, D24/192, 100, 206, 207; D29/120.1, 120.2, D29/121.1; 602/2, 5, 6, 16, 20-23, 26, 60-66
See application file for complete search history.

(56) **References Cited**

U.S. PATENT DOCUMENTS

1,727,897	A *	9/1929	Myers et al.	602/60
D239,981	S *	5/1976	Arluck et al.	D24/190
4,651,722	A *	3/1987	Karczewski	602/26
5,474,524	A *	12/1995	Carey	602/26
5,496,358	A *	3/1996	Rosenwald	607/108
5,743,806	A *	4/1998	Brennan	473/214
5,925,010	A *	7/1999	Caprio, Jr.	602/62
D425,996	S *	5/2000	Owen, Jr.	D24/206
D454,198	S *	3/2002	Lamping et al.	D24/190
6,405,731	B1 *	6/2002	Chiang	128/878
D460,824	S *	7/2002	Ames	D24/190
D500,140	S *	12/2004	Krahner et al.	D24/206
D580,065	S *	11/2008	Lin et al.	D24/190

* cited by examiner

Primary Examiner—Susan E Krakower

(74) *Attorney, Agent, or Firm*—Workman Nydegger

(57) **CLAIM**

The ornamental design for an elbow wrap, as shown and described.

DESCRIPTION

FIG. 1 is a perspective view of a first embodiment of an elbow wrap showing our new design;

FIG. 2 is a front view of the elbow wrap of FIG. 1;

FIG. 3 is a top end view of the elbow wrap of FIG. 1;

FIG. 4 is a right side view of the elbow wrap of FIG. 1;

FIG. 5 is a rear view of the elbow wrap of FIG. 1;

FIG. 6 is bottom end view of the elbow wrap of FIG. 1;

FIG. 7 is a left side view of the elbow wrap of FIG. 1;

FIG. 8 is a view of the Elbow Wrap of FIG. 1, showing the elbow wrap in use;

FIG. 9 is a perspective view of a second embodiment of an elbow wrap showing our new design;

FIG. 10 is a front view of the elbow wrap of FIG. 9;

FIG. 11 is a top end view of the elbow wrap of FIG. 9;

FIG. 12 is a rear view of the elbow wrap of FIG. 9;

FIG. 13 is a bottom end view of the elbow wrap of FIG. 9; and,

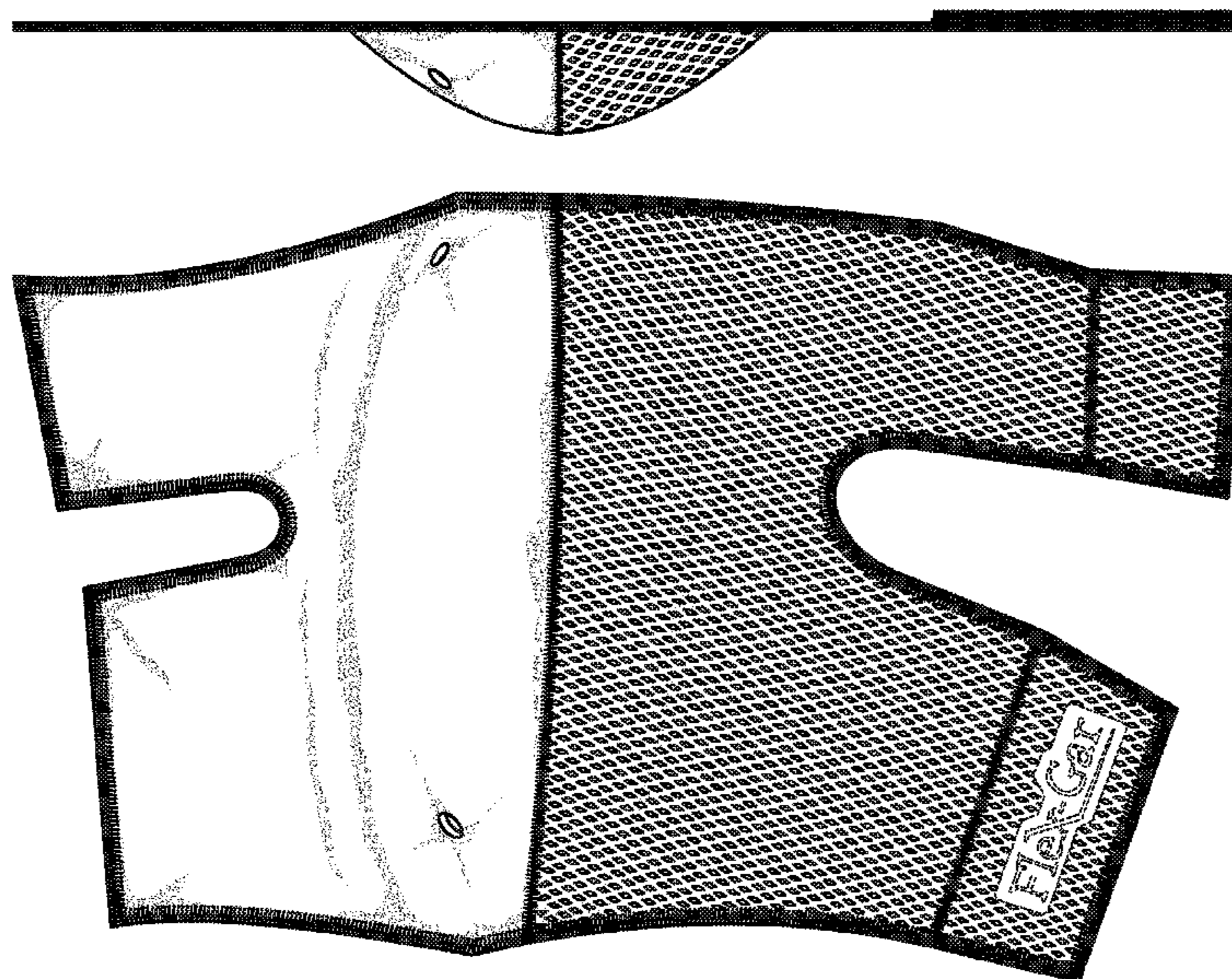
FIG. 14 is a left side view of the elbow wrap of FIG. 9.

The right side view of the elbow wrap of FIG. 9 is shown in FIG. 4, described above.

The right side view of the elbow wrap of FIG. 17 is shown in FIG. 4, identified above.

The broken lines illustrate environmental structure and form no part of the claimed design.

1 Claim, 7 Drawing Sheets



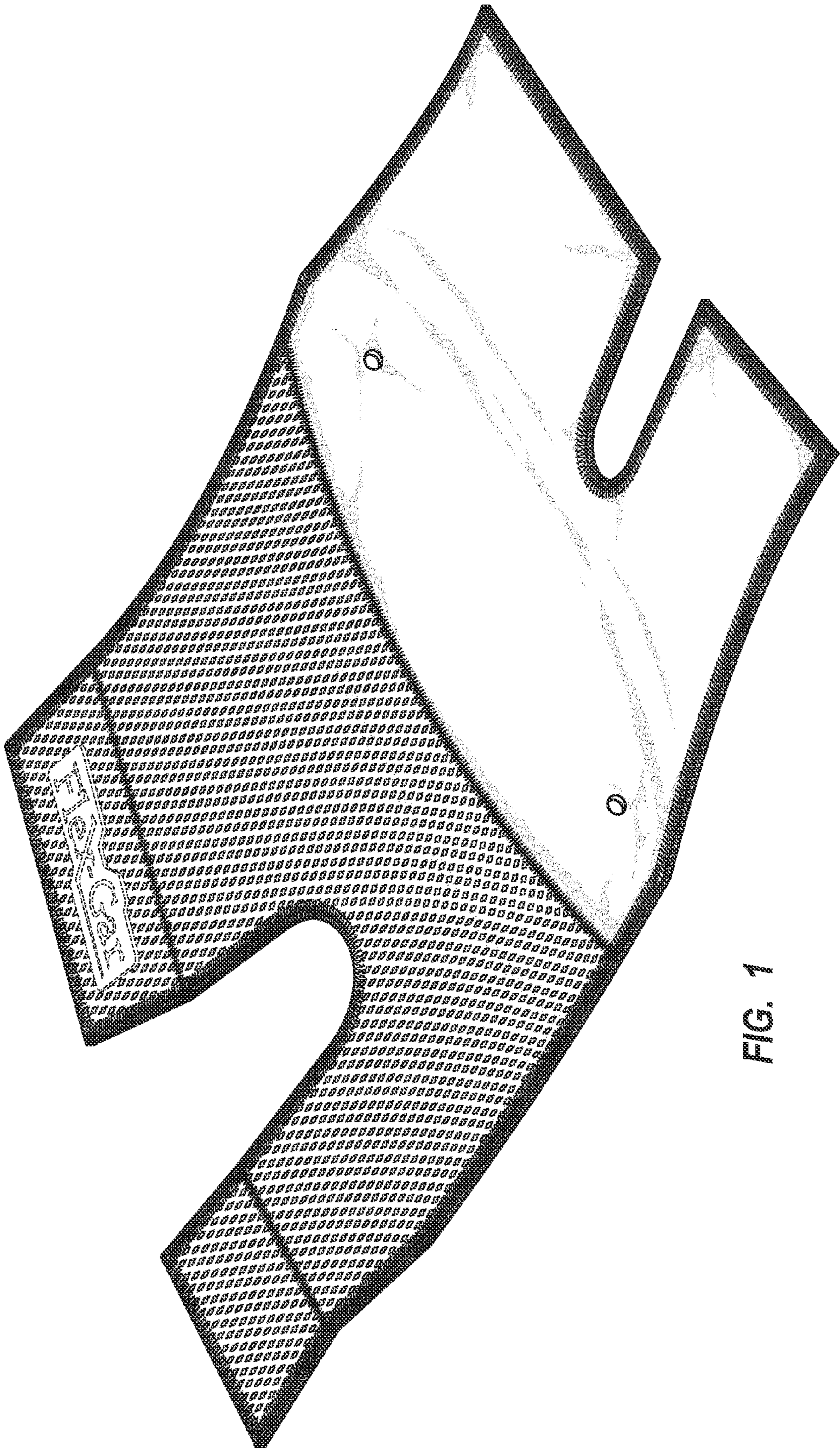


FIG. 1

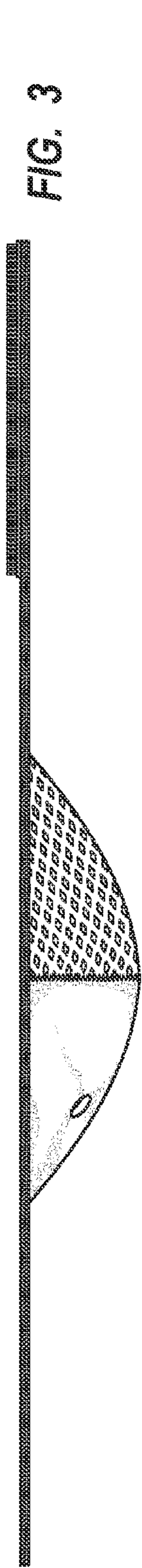


FIG. 3

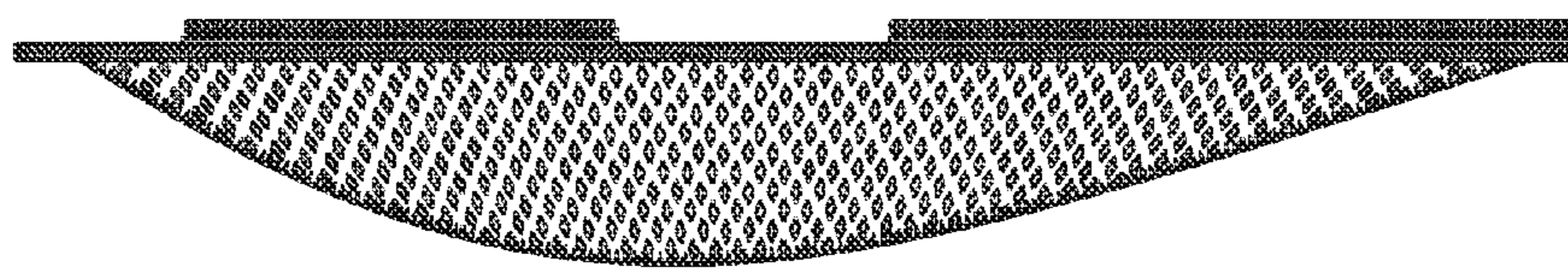


FIG. 4

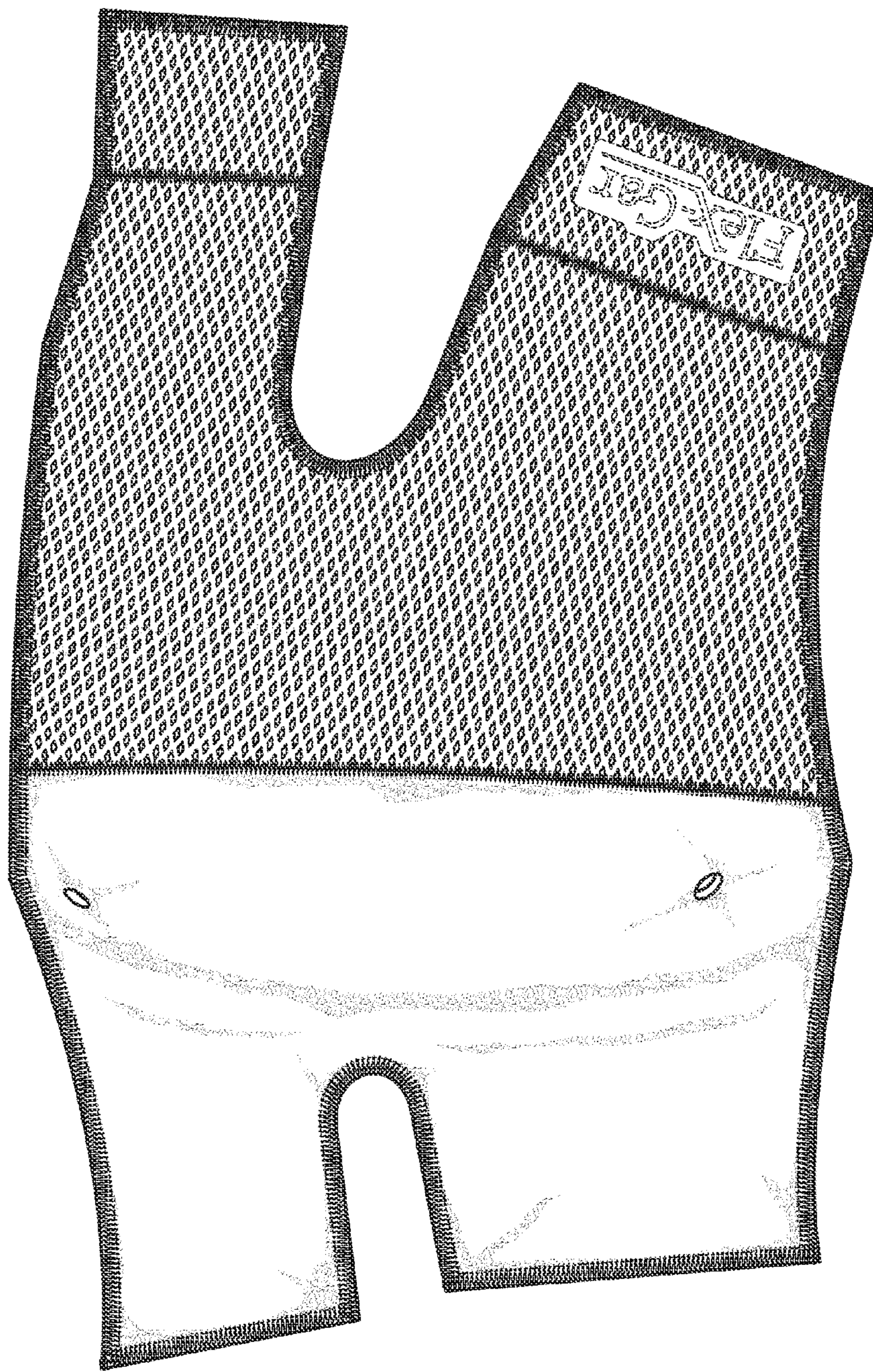


FIG. 2

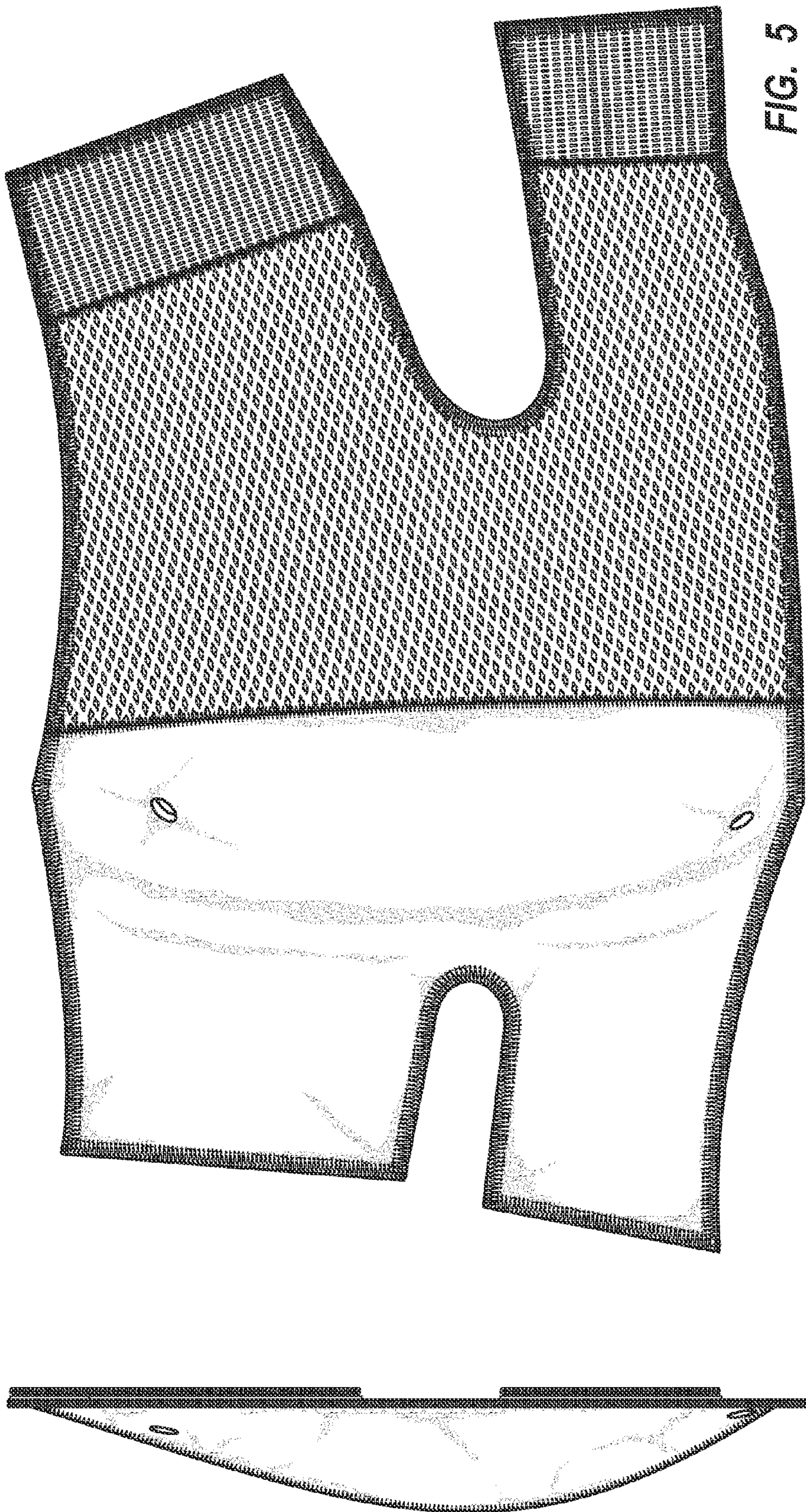


FIG. 5



FIG. 6

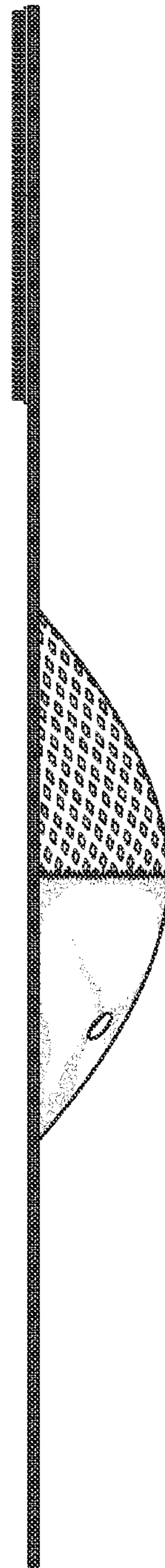


FIG. 7

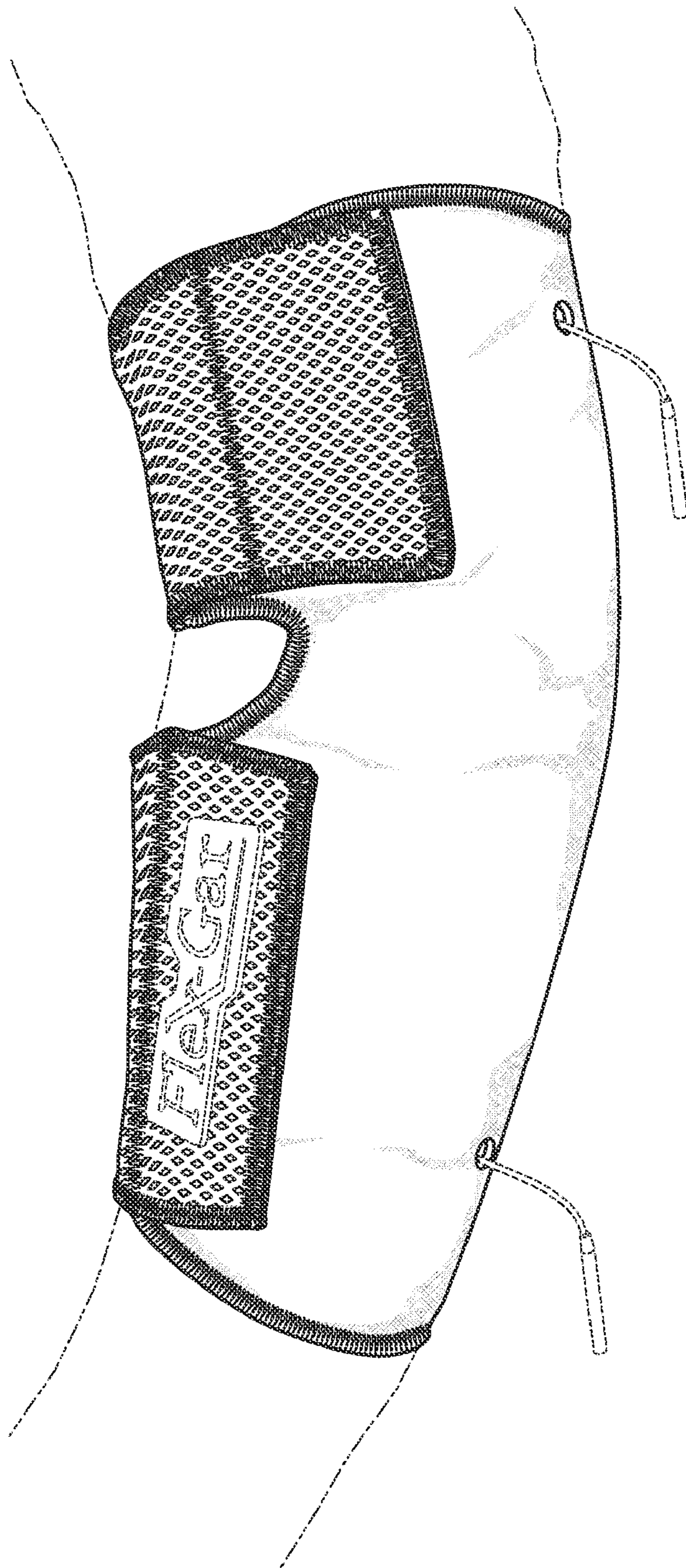


FIG. 8

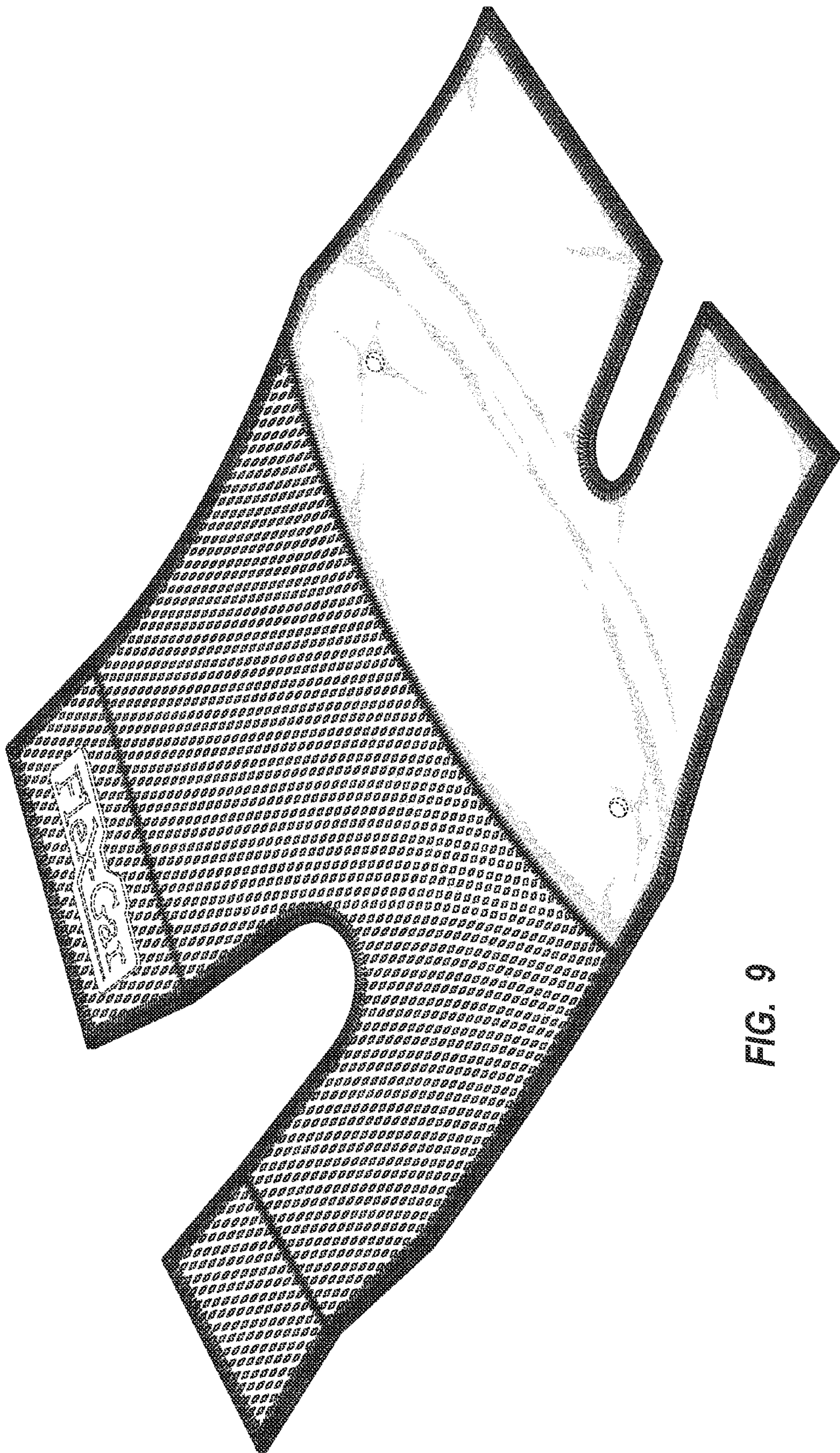


FIG. 9

FIG. 11

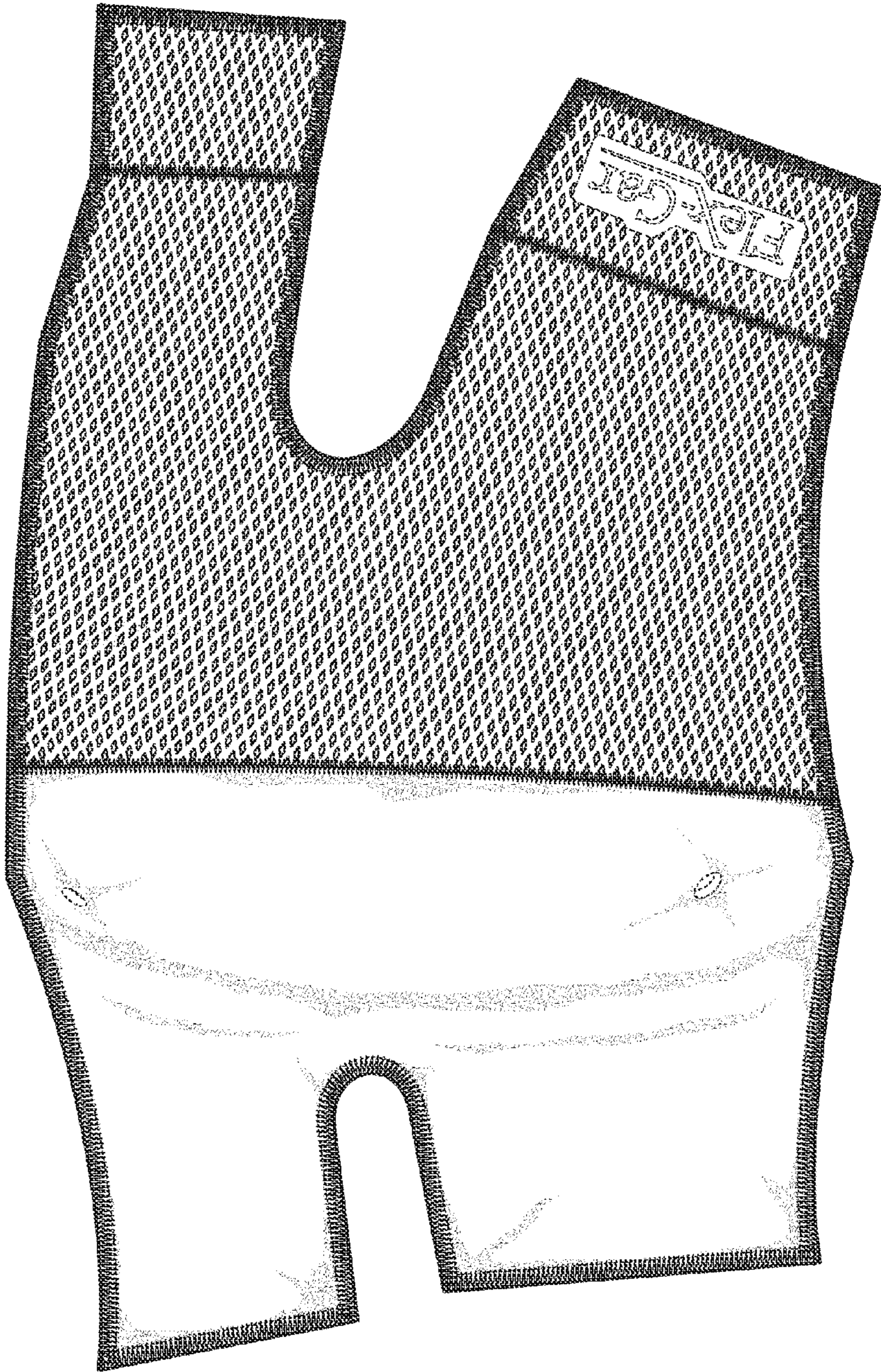
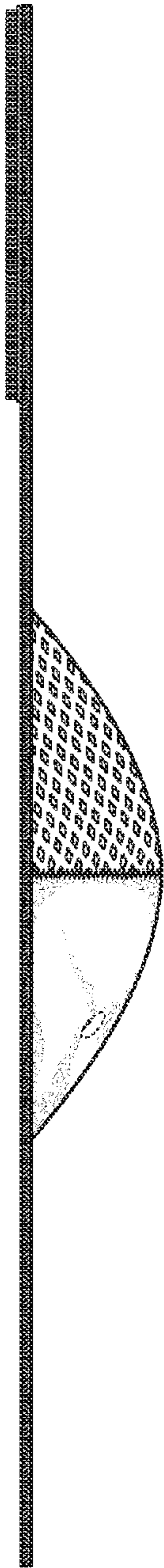


FIG. 10

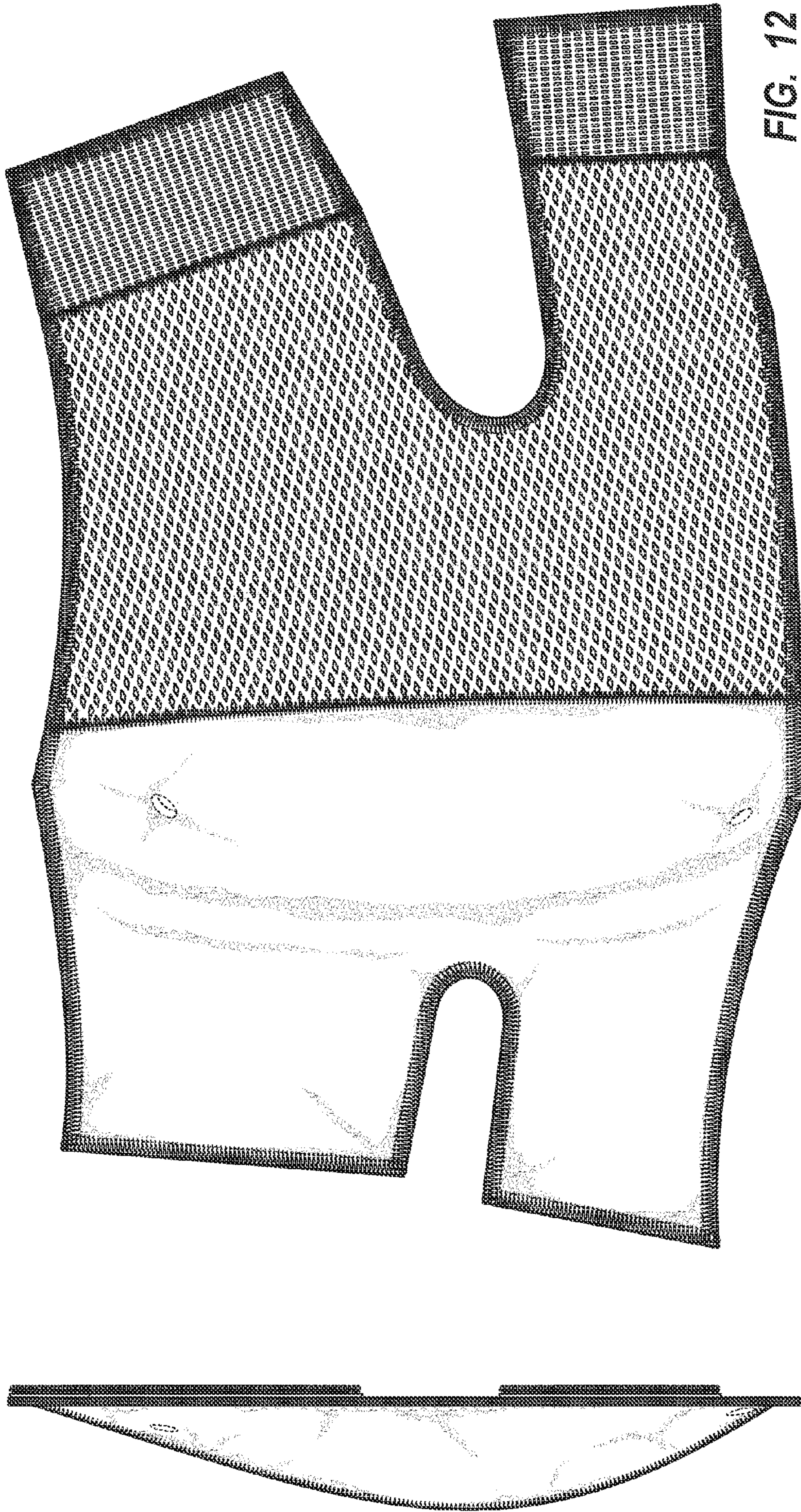


FIG. 14

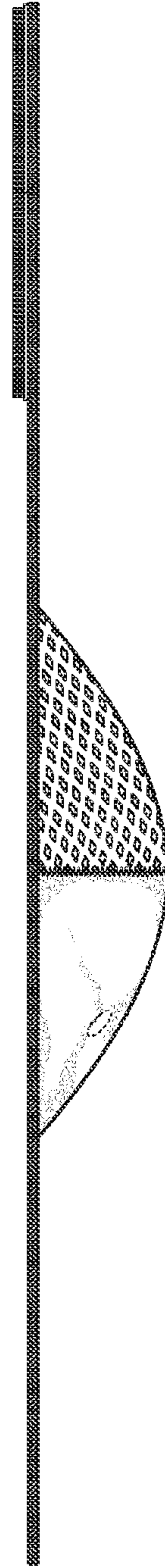


FIG. 13