



US00D626240S

(12) **United States Design Patent**
Copeland et al.

(10) **Patent No.:** **US D626,240 S**

(45) **Date of Patent:** **** Oct. 26, 2010**

(54) **SLEEP IMPROVEMENT BASE STATION**

(75) Inventors: **David Copeland**, Minnetonka, MN
(US); **Benoit Devinat**, Providence, RI
(US); **Marco Wo**, Providence, RI (US);
Jason Donahue, Boston, MA (US)

(73) Assignee: **Zeo, Inc.**, Newton, MA (US)

(**) Term: **14 Years**

(21) Appl. No.: **29/312,535**

(22) Filed: **Oct. 29, 2008**

Related U.S. Application Data

(63) Continuation of application No. 11/586,196, filed on
Oct. 24, 2006.

(51) **LOC (9) Cl.** **24-04**

(52) **U.S. Cl.** **D24/188**

(58) **Field of Classification Search** D24/110,
D24/188, 164; D23/356, 358; 128/200.24,
128/200.23, 200.18, 200.22, 200.16, 204.14,
128/203.16, 203.17, 204.18, 204.23

See application file for complete search history.

(56) **References Cited**

U.S. PATENT DOCUMENTS

3,255,753 A * 6/1966 Wing 607/72
3,376,870 A * 4/1968 Yamamoto et al. 607/141
3,669,119 A * 6/1972 Symmes 607/141
5,682,878 A * 11/1997 Ogden 128/204.23

5,715,812 A * 2/1998 Deighan et al. 128/204.23
D427,675 S * 7/2000 Hansel D24/110
D465,577 S * 11/2002 Kato et al. D24/215
D555,235 S * 11/2007 Korkowski et al. D23/356
D560,795 S * 1/2008 Lithgow et al. D24/110
D577,815 S * 9/2008 Gokhale et al. D24/110
D585,131 S * 1/2009 Trevor-Wilson et al. D24/110
D585,540 S * 1/2009 Lithgow et al. D24/110

* cited by examiner

Primary Examiner—T. Chase Nelson

Assistant Examiner—Michelle E Wilson

(74) *Attorney, Agent, or Firm*—Ropes & Gray LLP

(57) **CLAIM**

An ornamental design for a sleep improvement base station,
as shown and described.

DESCRIPTION

FIG. 1 is a front perspective view of a sleep improvement base
station, according to an illustrative embodiment of the inven-
tion.

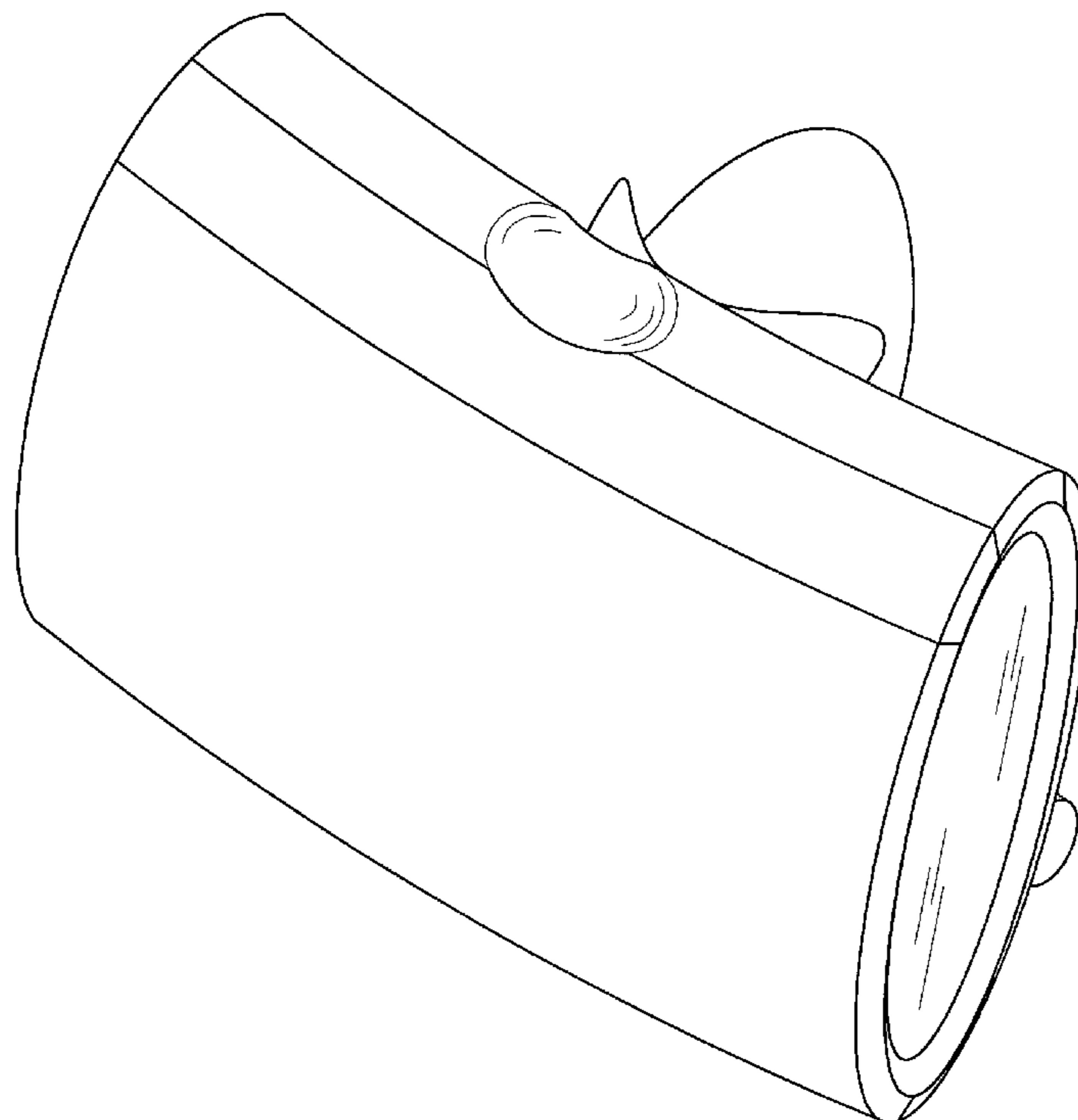
FIG. 2 is a top view of a sleep improvement base station,
according to an illustrative embodiment of the invention.

FIG. 3 is a side view of a sleep improvement base station,
according to an illustrative embodiment of the invention.

FIG. 4 is a side view of a sleep improvement base station,
according to an illustrative embodiment of the invention; and,

FIG. 5 is a back view of a sleep improvement base station,
according to an illustrative embodiment of the invention.

1 Claim, 5 Drawing Sheets



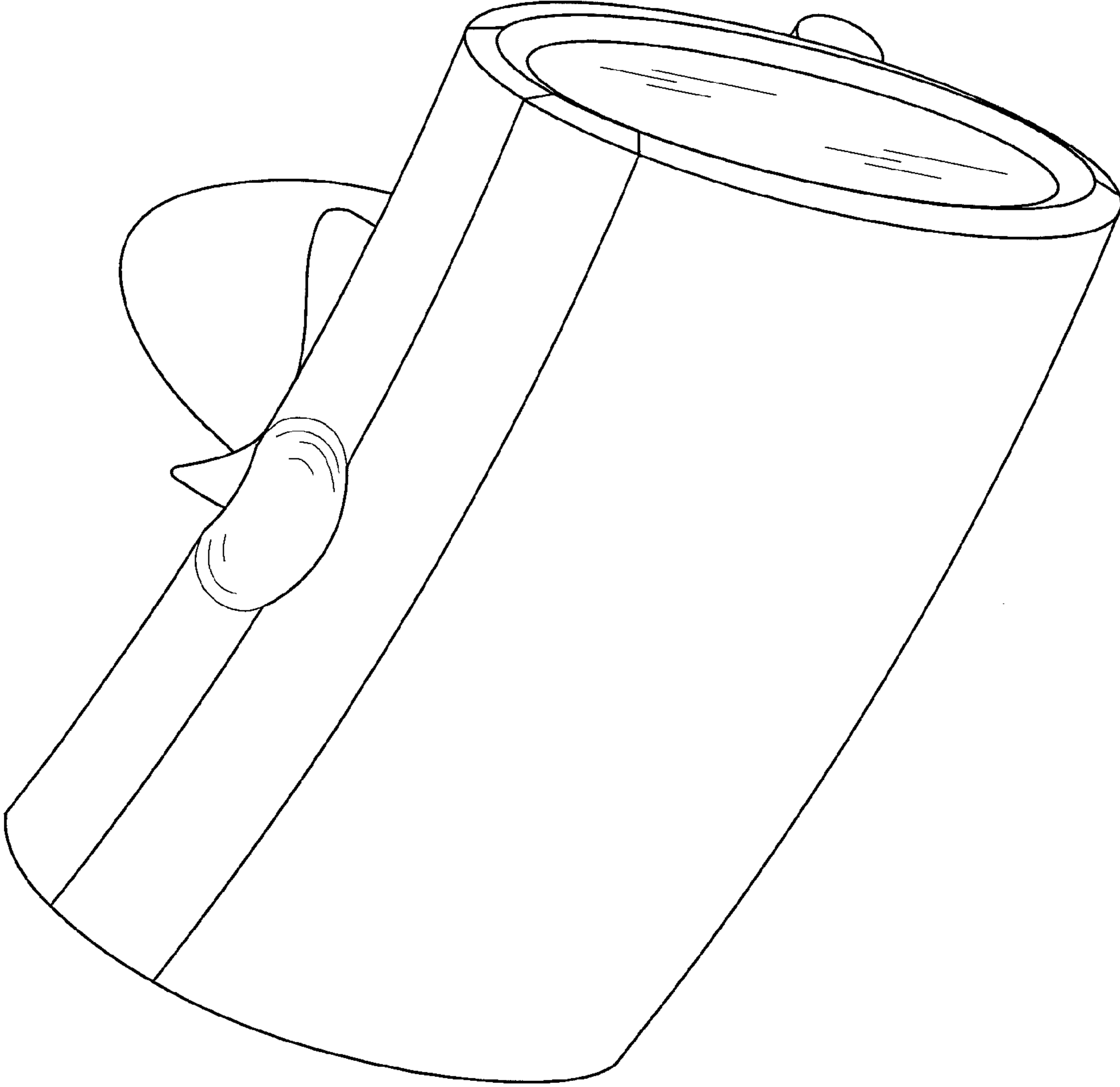


Figure 1

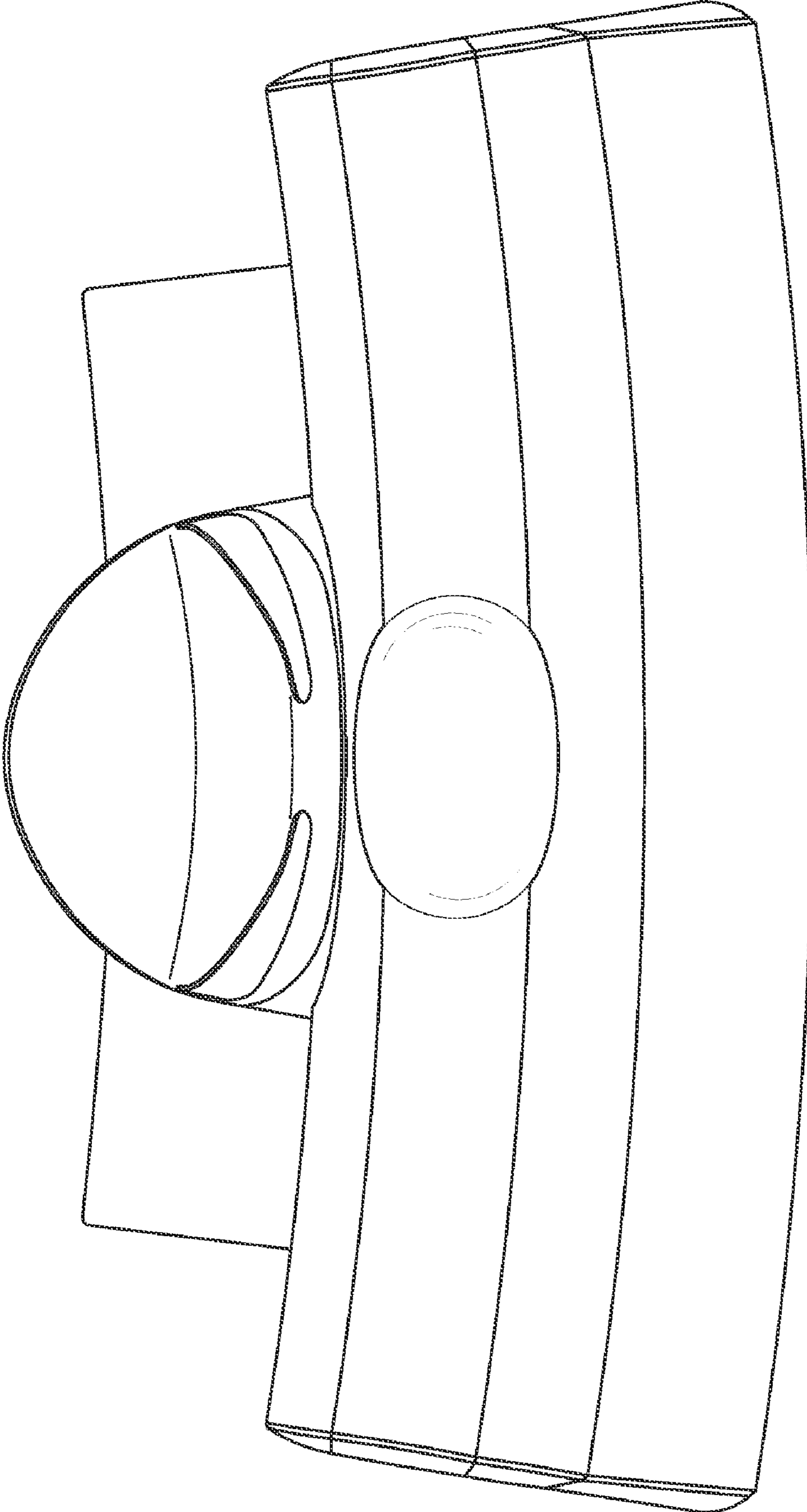


Figure 2

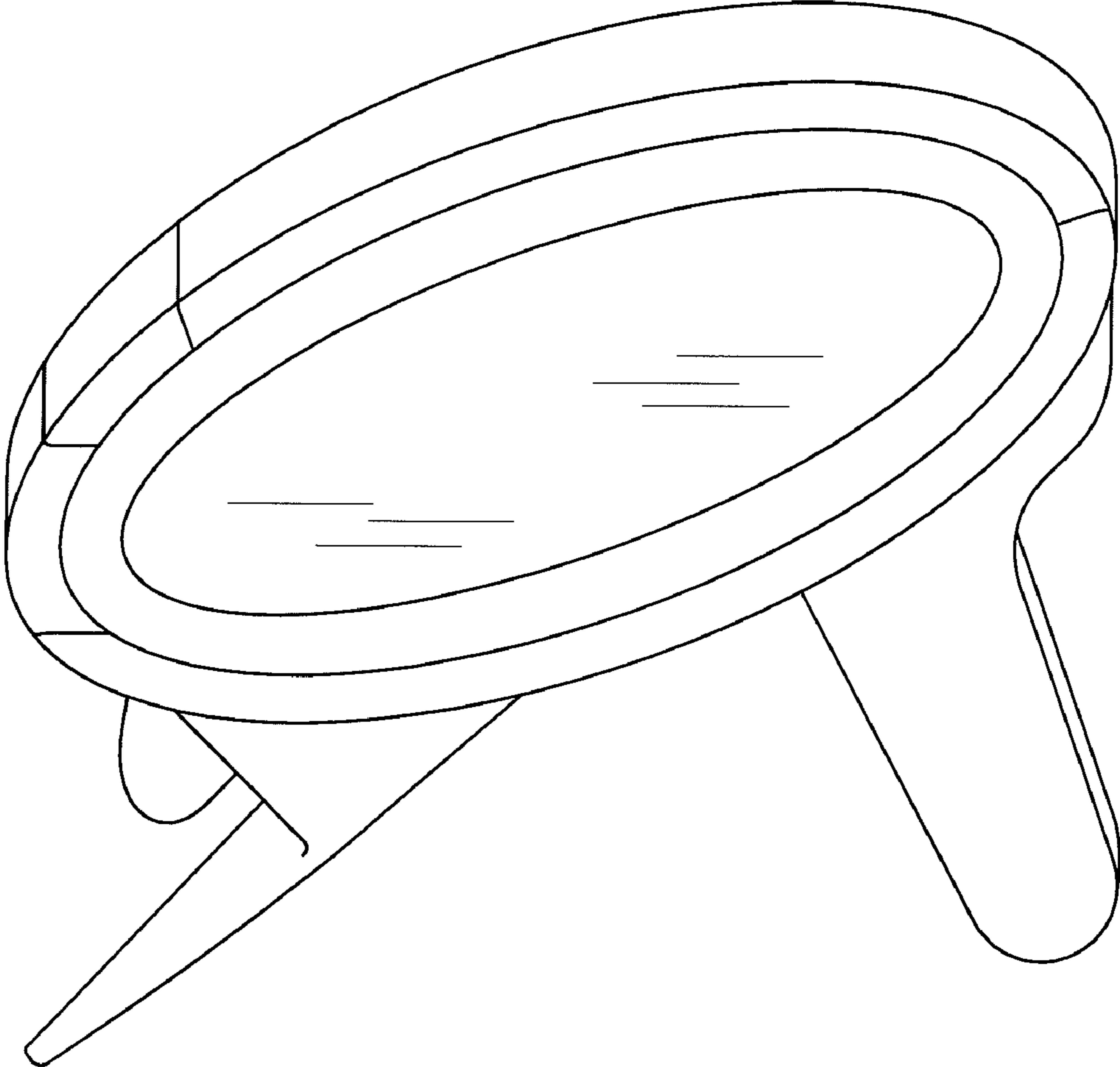


Figure 3

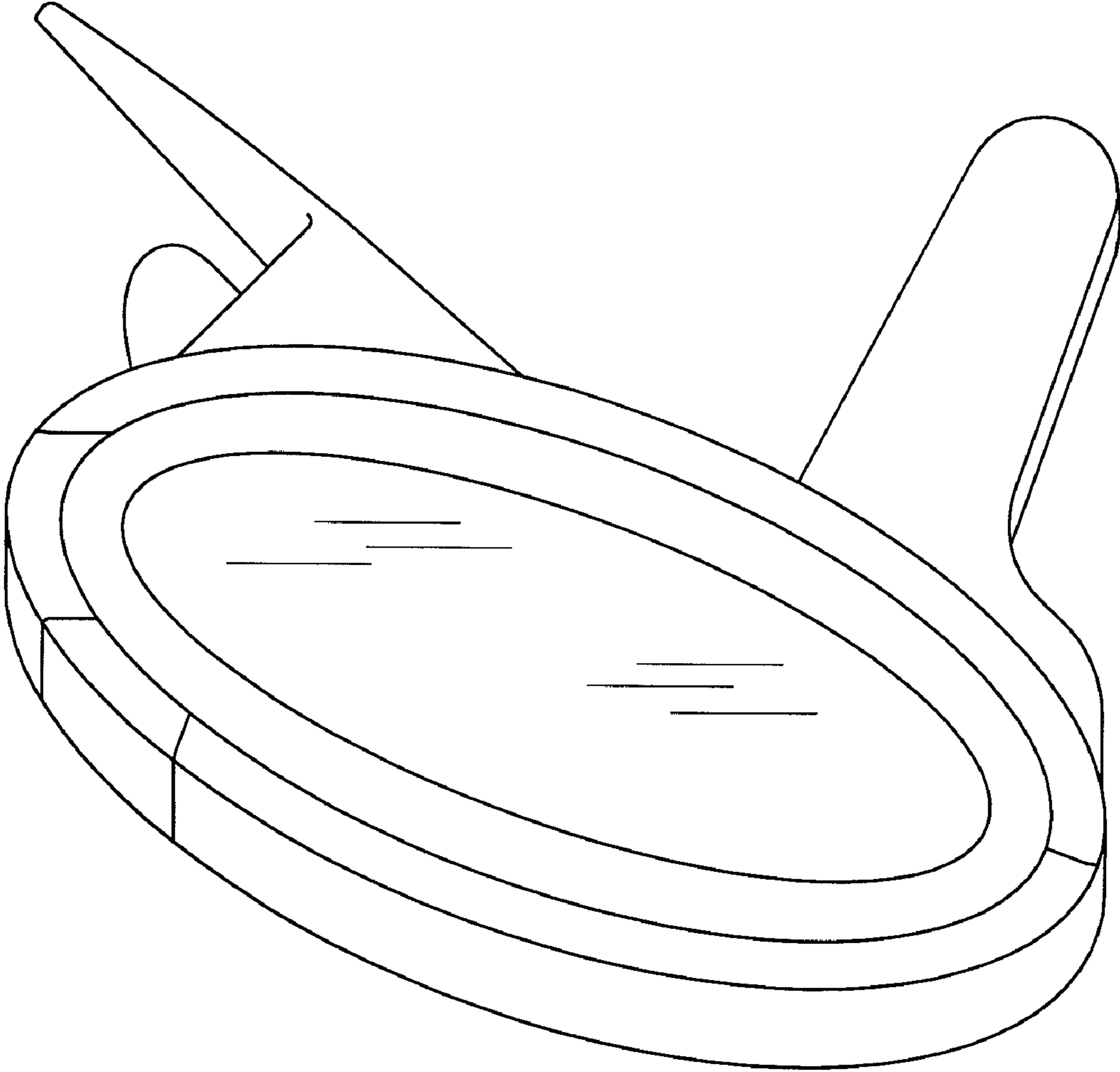


Figure 4

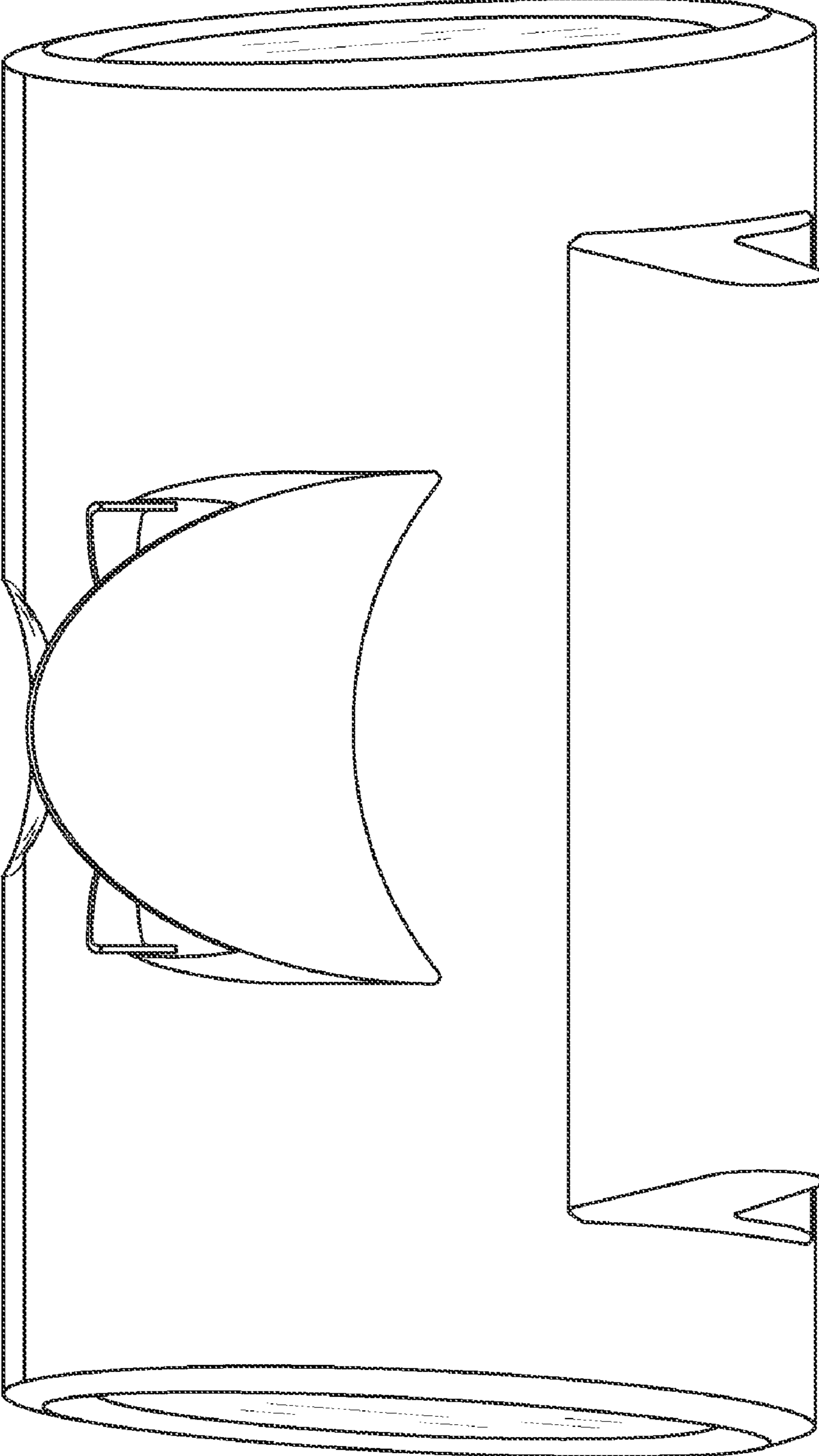


Figure 5