



US00D626239S

(12) **United States Design Patent**
Lia et al.

(10) **Patent No.:** **US D626,239 S**
(45) **Date of Patent:** **** Oct. 26, 2010**

(54) **MEDICAL-STAND TRAY**

(75) Inventors: **Raymond A. Lia**, Auburn, NY (US);
Alisa R. Salibra, Fayetteville, NY (US);
Kate S. Vallon, New York, NY (US);
Robert L. Vivenzio, Auburn, NY (US);
Michael T. McMahon, Syracuse, NY
(US); **Lisa A. Killian**, Scipio Center, NY
(US); **Donwoong Kang**, Skaneateles,
NY (US); **Scott W. Osiecki**, Skaneateles,
NY (US)

(73) Assignee: **Welch Allyn, Inc.**, Skaneateles Falls, NY
(US)

(**) Term: **14 Years**

(21) Appl. No.: **29/359,558**

(22) Filed: **Apr. 13, 2010**

(51) **LOC (9) Cl.** **24-02**

(52) **U.S. Cl.** **D24/185**

(58) **Field of Classification Search** D24/183-186,
D24/234, 128, 176-177, 227, 152, 232;
D34/12-27; D6/436, 460, 431, 419, 420,
D6/480, 396; 280/47.18, 47.26, 47.34, 47.35,
280/33.991, 33.992, 33.993; 108/7; 211/70.6;
433/77

See application file for complete search history.

(56) **References Cited**

U.S. PATENT DOCUMENTS

D211,689 S * 7/1968 Edwards et al. D24/177
D243,188 S * 1/1977 Meyer D24/177
D288,122 S * 2/1987 McGaha et al. D24/177
D304,759 S * 11/1989 McCloskey D24/184
D313,276 S * 12/1990 McHugh D24/227
D323,560 S * 1/1992 Boyce et al. D24/183
D325,482 S * 4/1992 Schwartz D24/185
D328,791 S * 8/1992 Nordstrom et al. D24/177
D346,655 S * 5/1994 Harris D24/128
D354,136 S * 1/1995 Phelps et al. D24/177
D354,350 S * 1/1995 Pryor et al. D24/128

D361,620 S * 8/1995 Phleps et al. D24/177
5,454,797 A * 10/1995 Haswell 604/317
D378,416 S * 3/1997 LaPlante et al. D24/177
D380,549 S * 7/1997 Pate D24/152
D458,379 S * 6/2002 Brockway et al. D24/177
D493,229 S * 7/2004 Coburn et al. D24/176

(Continued)

Primary Examiner—T. Chase Nelson

Assistant Examiner—Mark Cavanna

(74) *Attorney, Agent, or Firm*—Roger P. Bonenfant

(57) **CLAIM**

The ornamental design for a medical-stand tray, as shown and described.

DESCRIPTION

FIG. 1 is a top perspective view of a medical-stand tray according to an embodiment of the present invention;

FIG. 2 is a bottom perspective view of the medical-stand tray shown in FIG. 1;

FIG. 3 is a front view of the medical-stand tray shown in FIG. 1;

FIG. 4 is a right-side view of the medical-stand tray shown in FIG. 1;

FIG. 5 is a rear view of the medical-stand tray shown in FIG. 1;

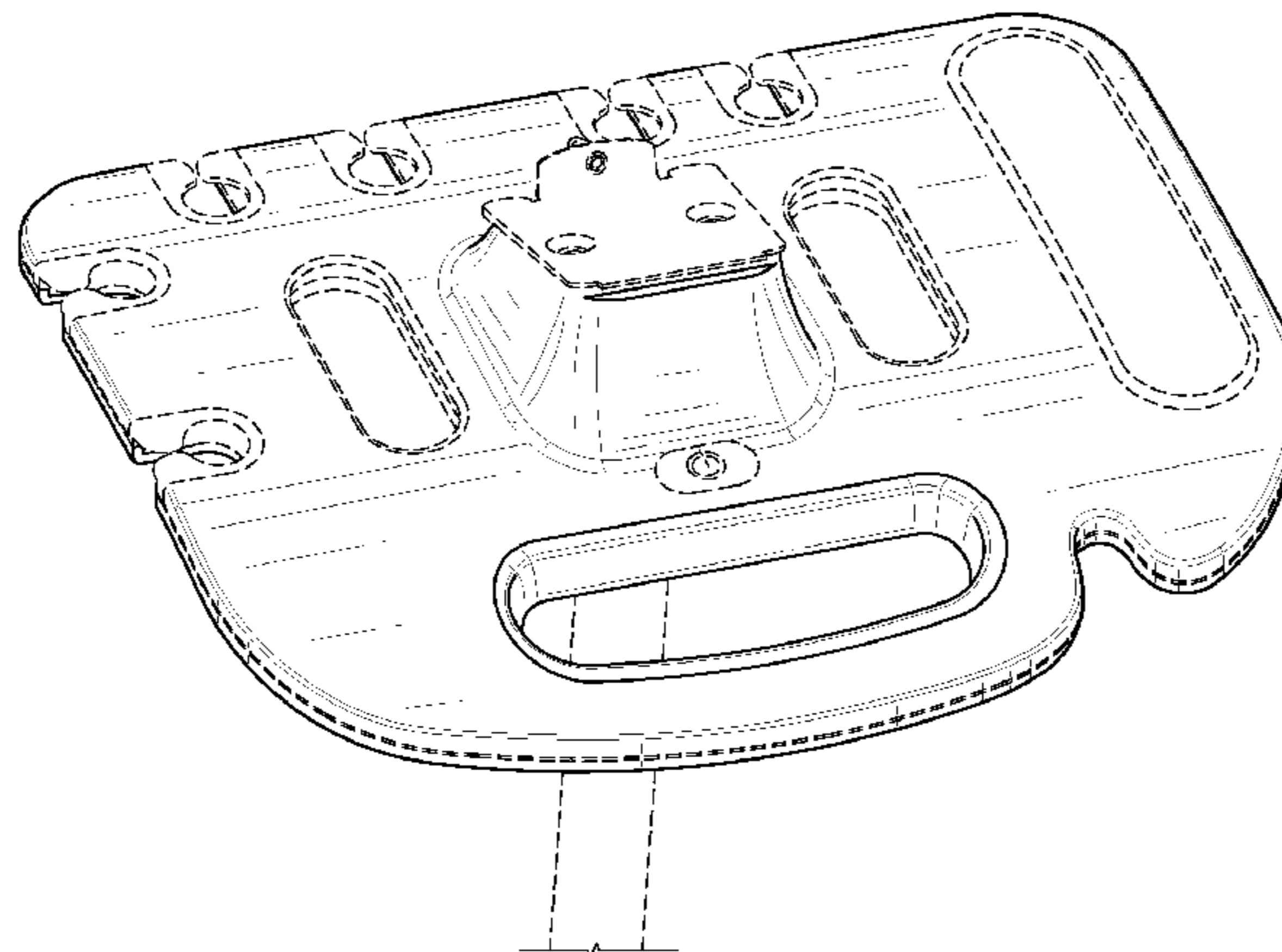
FIG. 6 is a left-side view of the medical-stand tray shown in FIG. 1;

FIG. 7 is a top view of the medical-stand tray shown in FIG. 1; and,

FIG. 8 is a bottom view of the medical-stand tray shown in FIG. 1.

The broken lines shown herein are for illustrative purposes only and form no part of the claimed design.

1 Claim, 4 Drawing Sheets



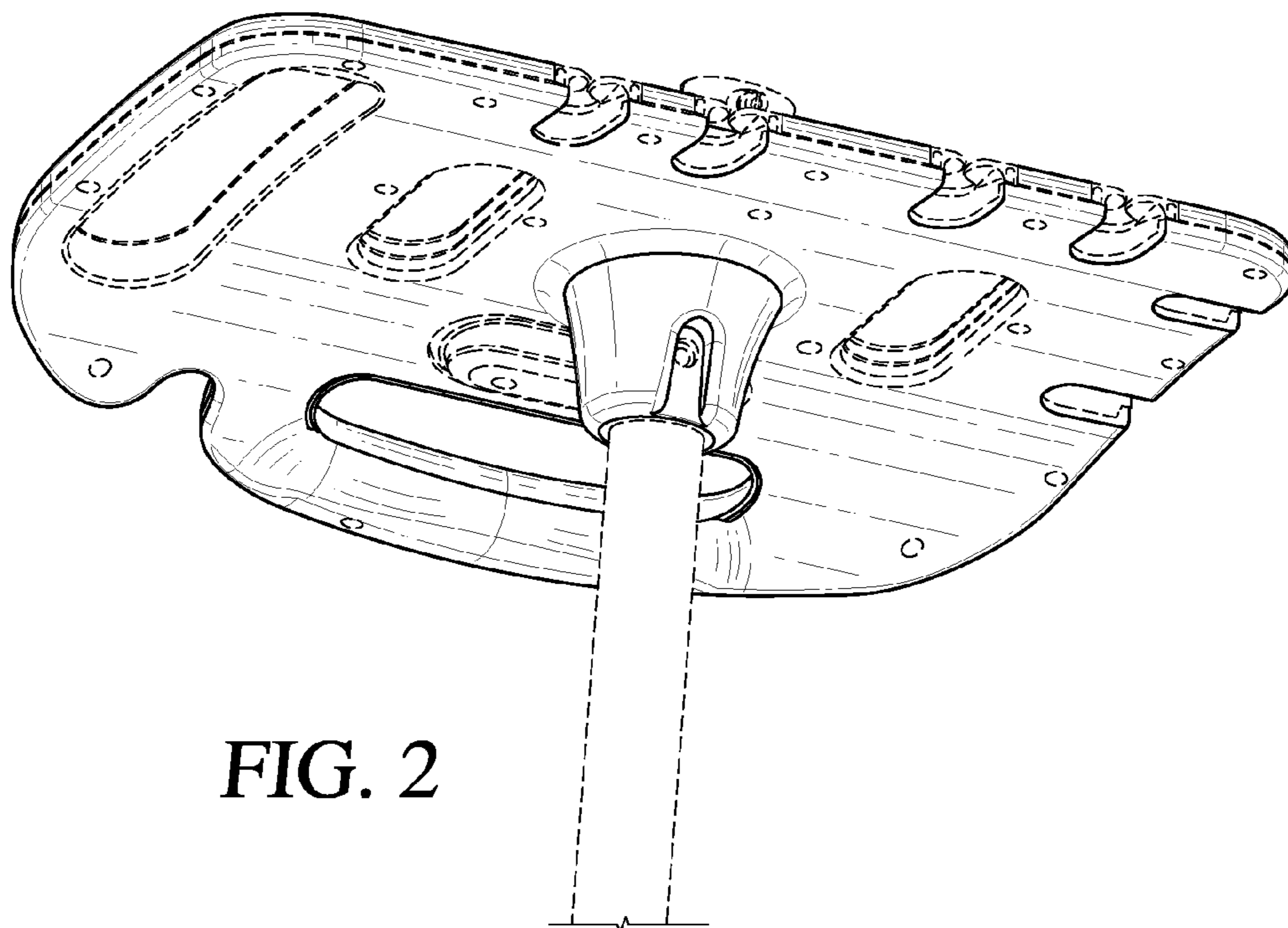
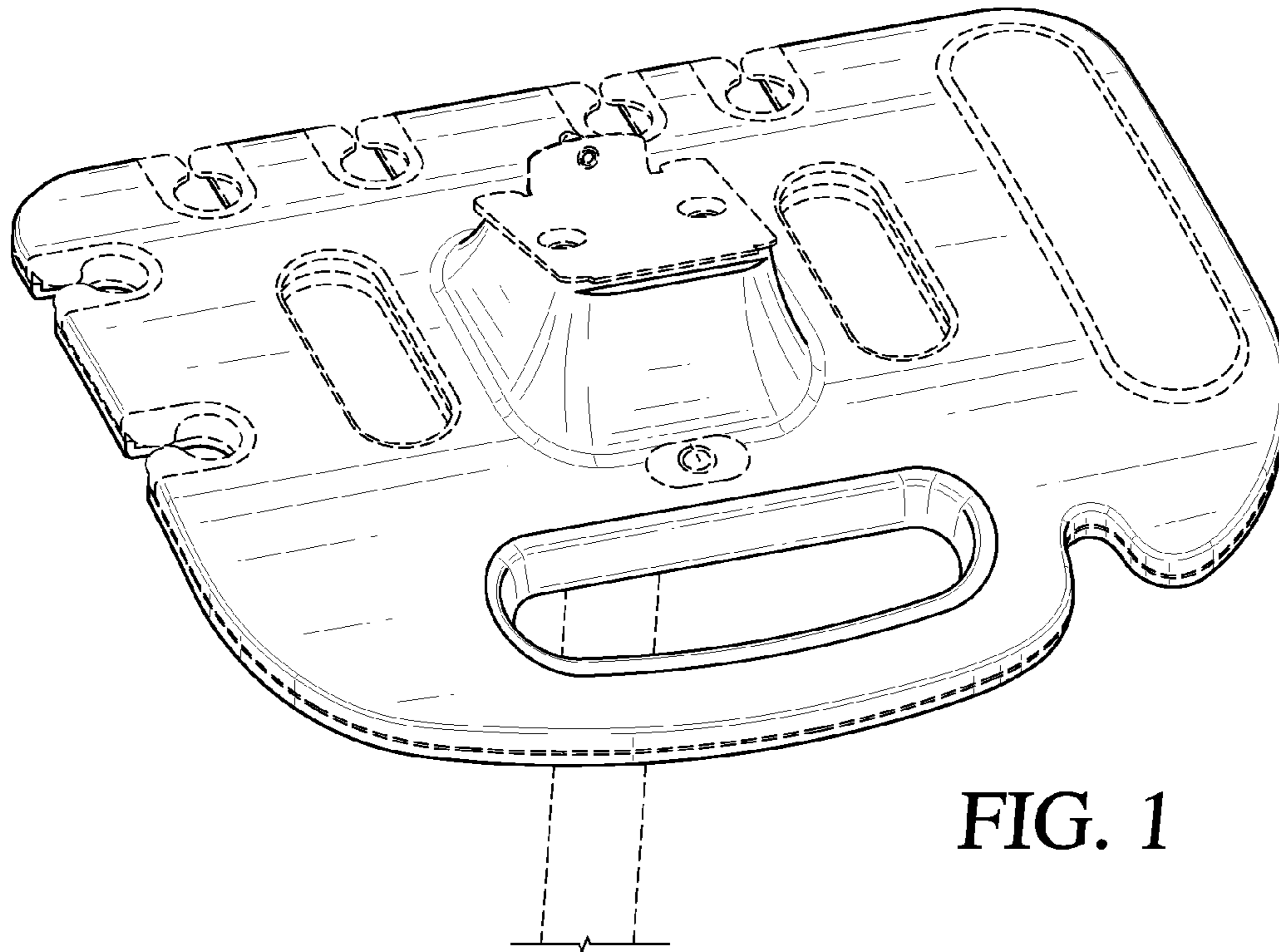
US D626,239 S

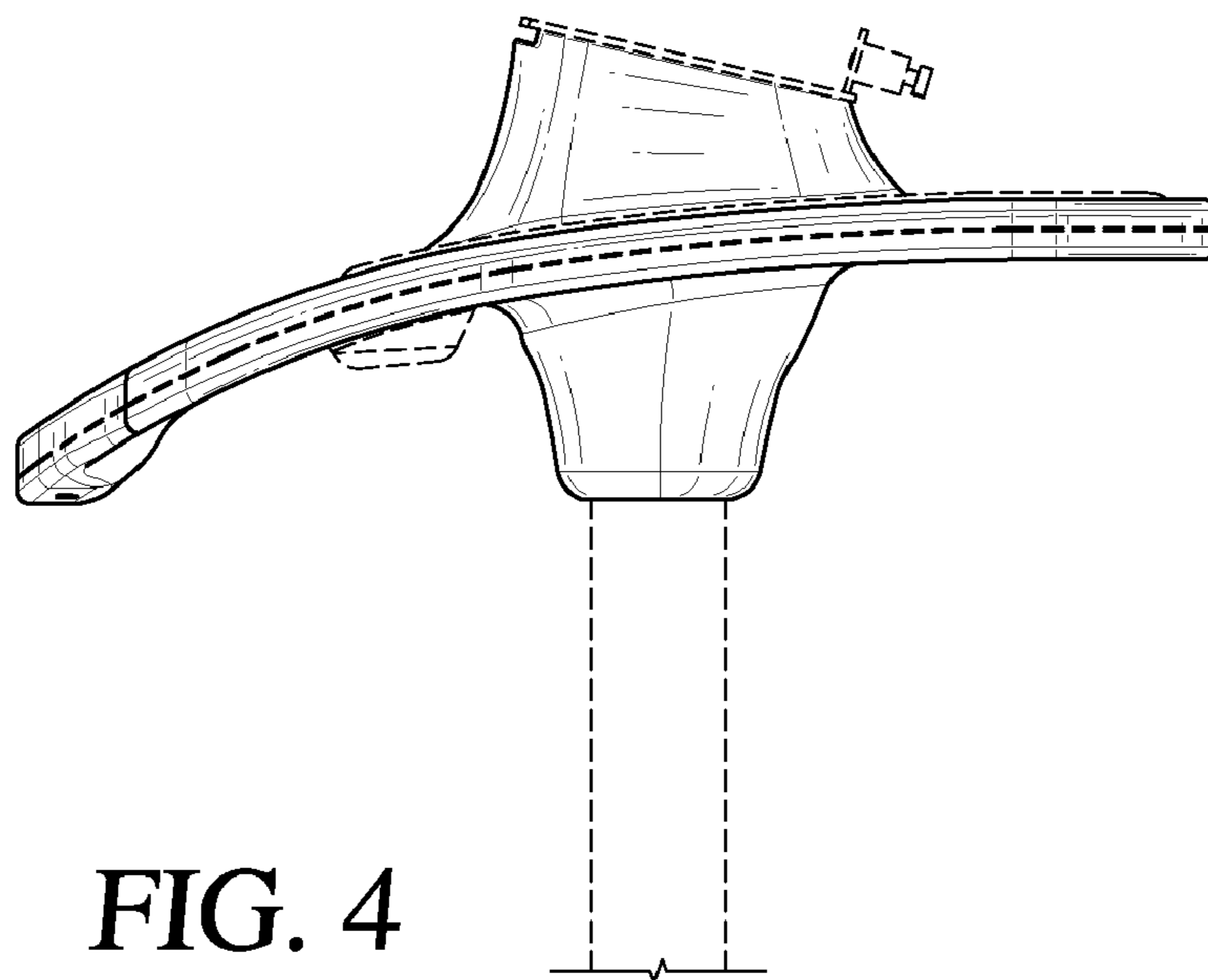
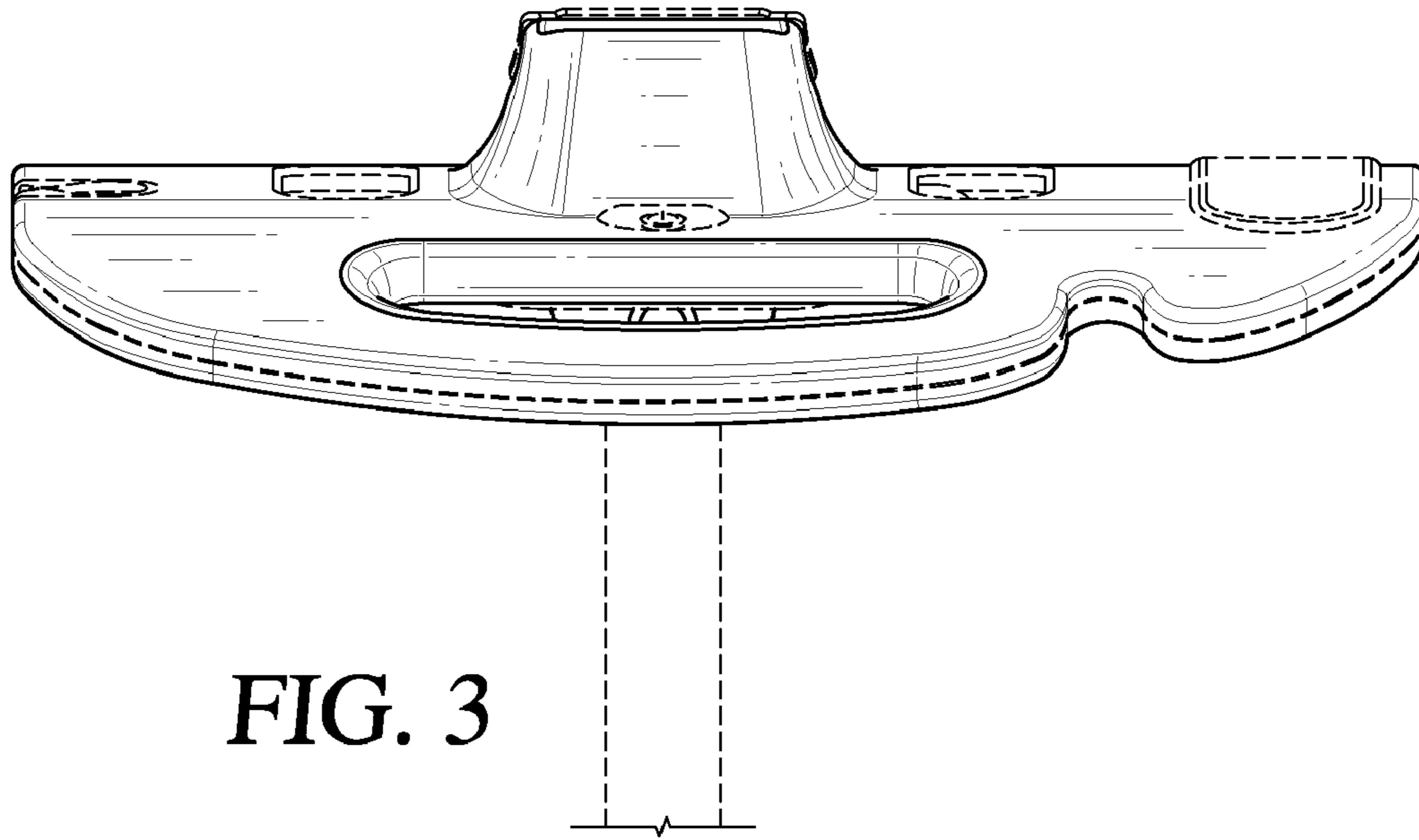
Page 2

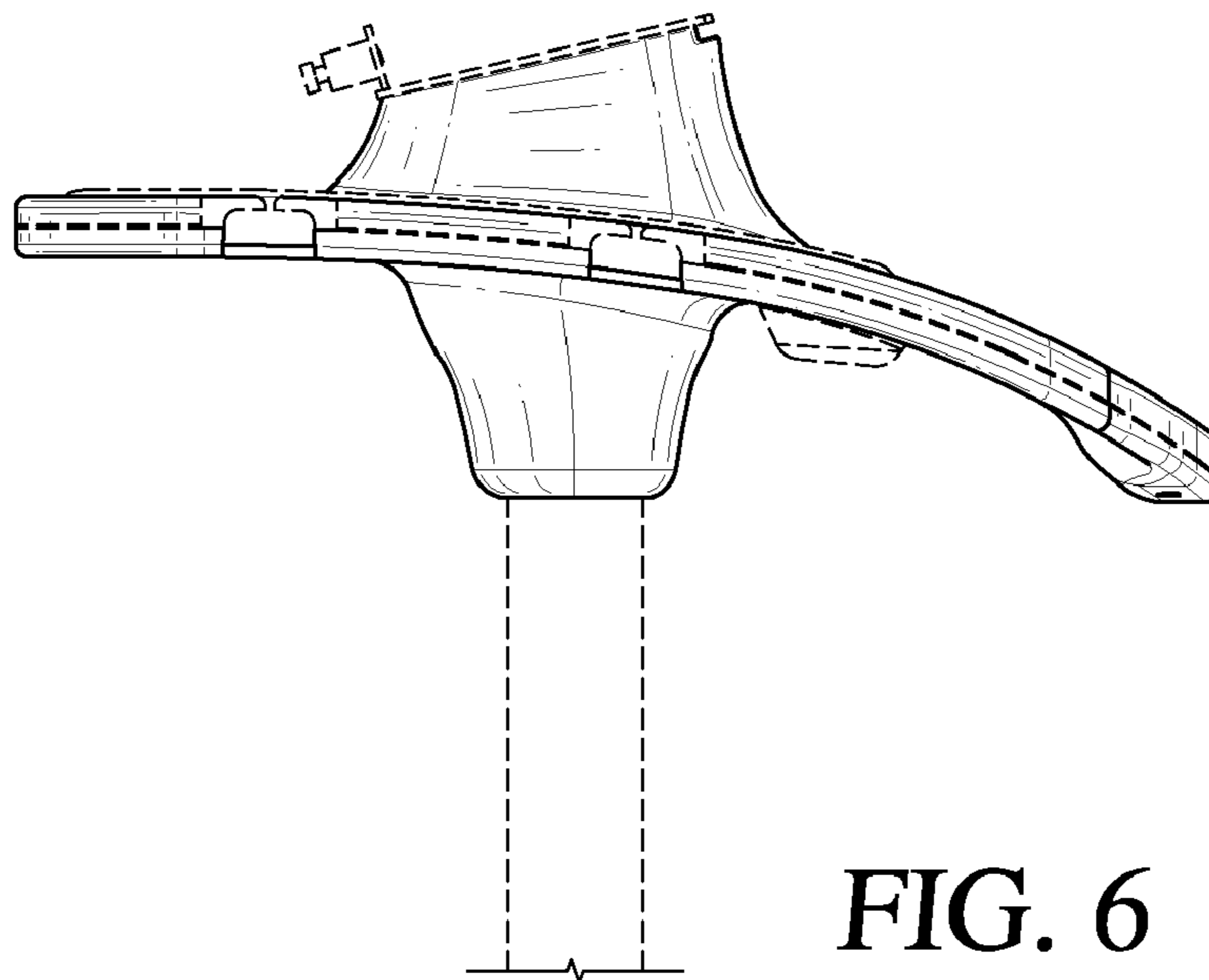
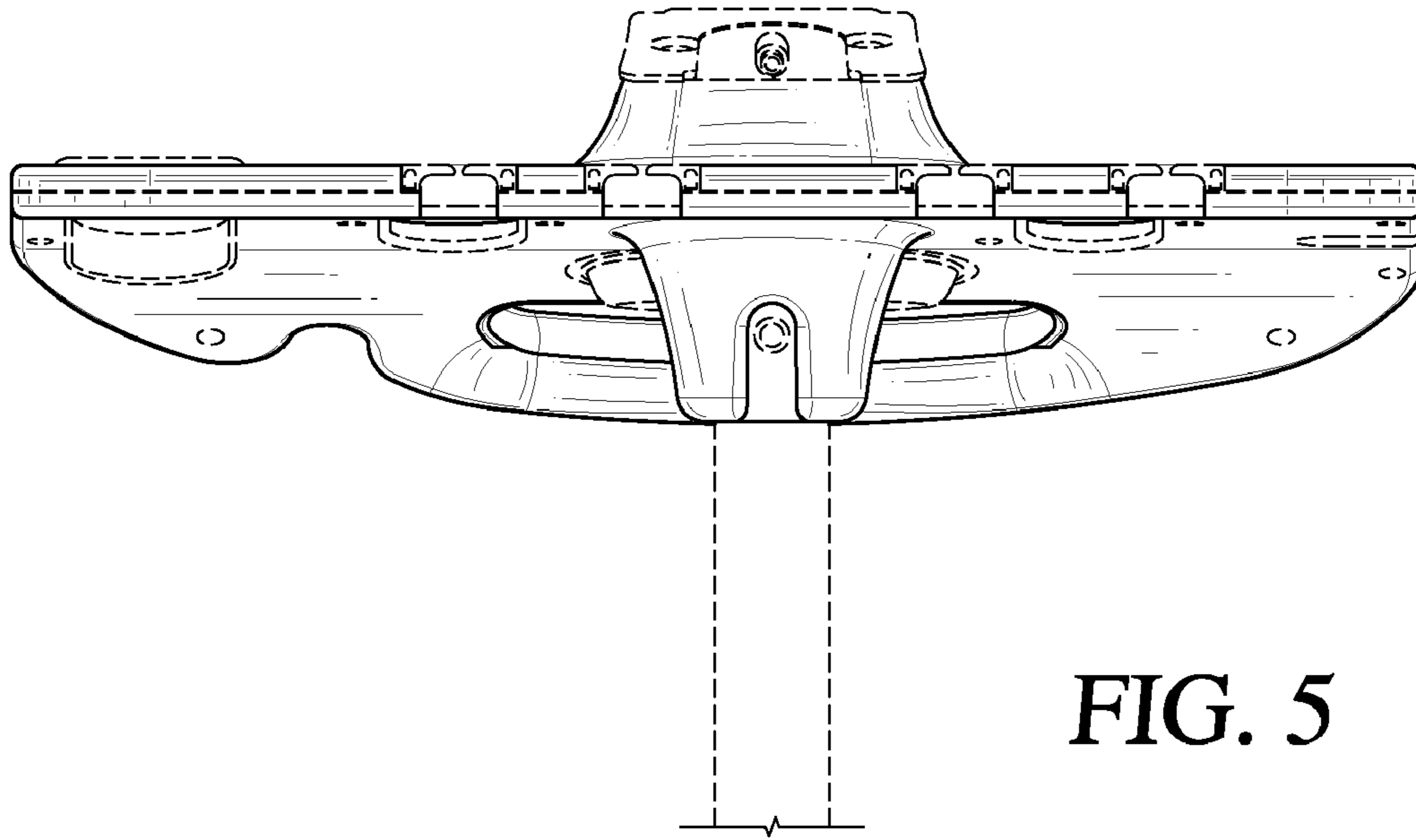
U.S. PATENT DOCUMENTS

D494,280 S *	8/2004	Schmidt et al.	D24/232	7,490,837 B2 *	2/2009	Pond et al.	433/77
D498,847 S *	11/2004	Castellini	D24/177	D596,420 S *	7/2009	Yoshida	D6/396
D544,962 S *	6/2007	Diener et al.	D24/186	D606,202 S *	12/2009	Banryu	D24/185
D548,918 S *	8/2007	Nussberger	D34/17	D607,566 S *	1/2010	Bukoski	D24/177
D553,324 S *	10/2007	Lieblein	D34/14	D607,567 S *	1/2010	Bukoski	D24/184
D555,247 S *	11/2007	Castellini	D24/177	D609,349 S *	2/2010	Pelissier et al.	D24/186
D572,424 S *	7/2008	Presnell et al.	D34/27	D612,561 S *	3/2010	Hunter et al.	D34/14
				D613,867 S *	4/2010	Tanaka et al.	D24/185

* cited by examiner







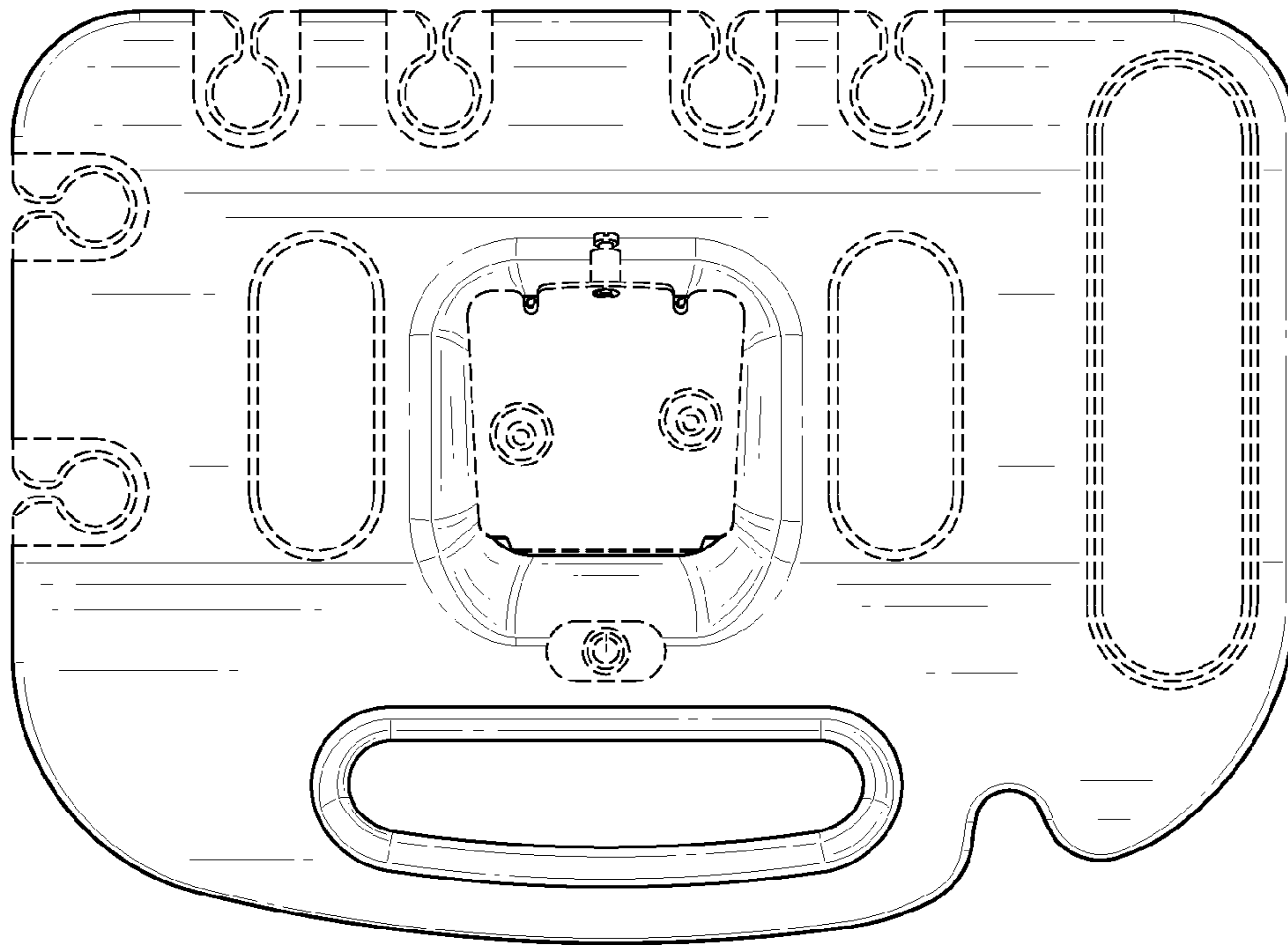


FIG. 7

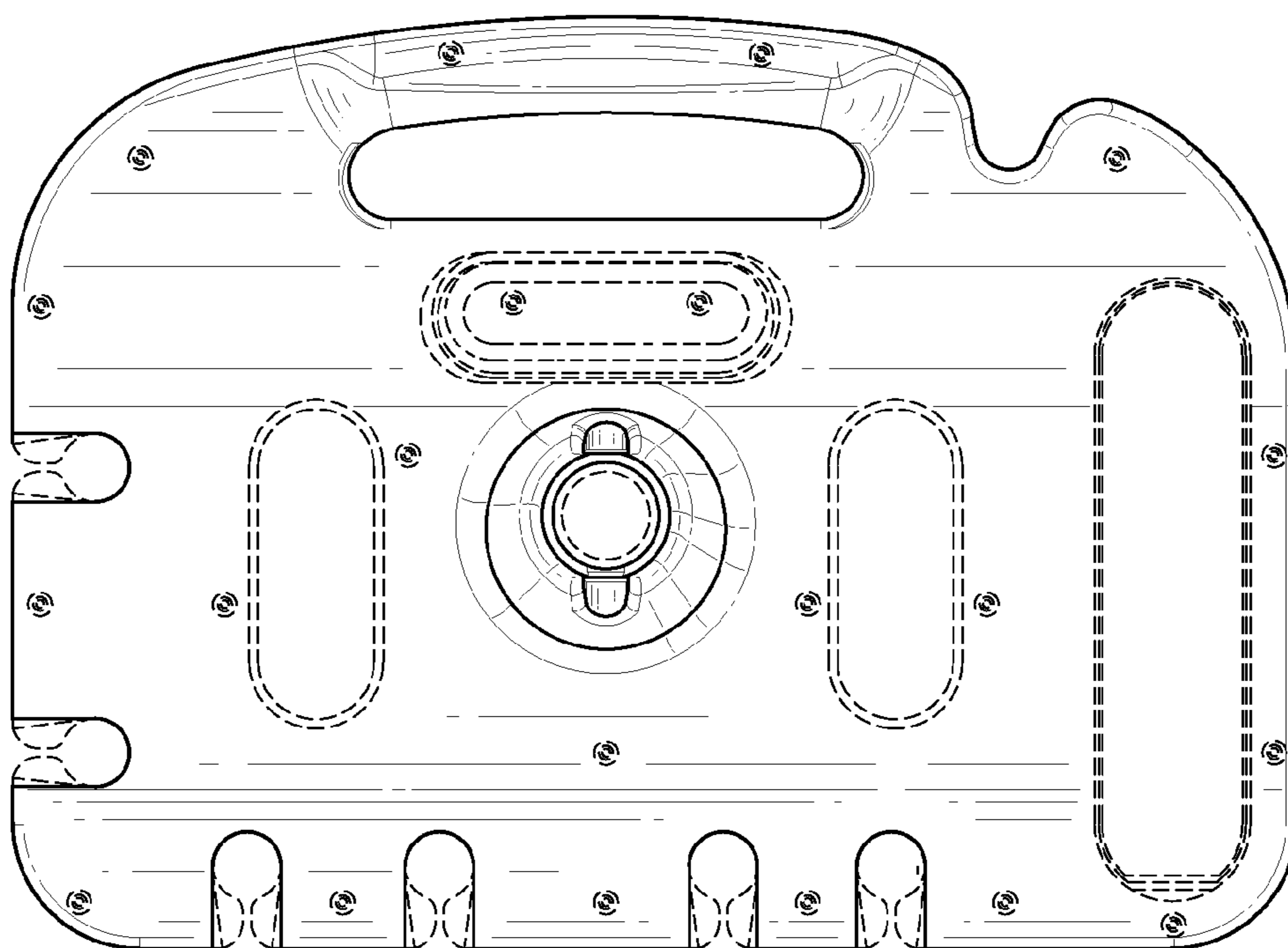


FIG. 8