



US00D626238S

(12) **United States Design Patent**
Zinnanti

(10) **Patent No.:** **US D626,238 S**

(45) **Date of Patent:** **** Oct. 26, 2010**

(54) **ANTERIOR POSTERIOR SURGICAL STAND AND TRAY**

(76) **Inventor:** **Thomas J. Zinnanti**, 5425 Hedgewick Way, Cumming, GA (US) 30040

(**) **Term:** **14 Years**

(21) **Appl. No.:** **29/358,000**

(22) **Filed:** **Mar. 19, 2010**

(51) **LOC (9) Cl.** **24-02**

(52) **U.S. Cl.** **D24/185**

(58) **Field of Classification Search** D24/164, D24/169, 172, 176, 184-186, 234, 128; D34/12-27; D6/436, 460, 431, 419-420, 480; 280/47.18, 280/47.26, 47.34, 47.35, 33.991, 33.992, 280/33.993; 108/7; 211/70.6

See application file for complete search history.

(56) **References Cited**

U.S. PATENT DOCUMENTS

3,557,791 A	1/1971	Duffy	
D238,038 S	12/1975	Turco	
4,018,217 A	4/1977	Evans	
4,163,536 A	8/1979	Heller	
D260,816 S *	9/1981	Zissimopoulos et al. D6/431
4,378,108 A	3/1983	Bailey, Jr.	
4,390,011 A	6/1983	Evans	
4,488,497 A	12/1984	Bevans	
D281,453 S *	11/1985	DiGianfilippo et al. D24/128
D288,099 S *	2/1987	Abitz D6/420
4,715,573 A	12/1987	Liegel	
D298,893 S *	12/1988	Schwartz D6/419
D303,191 S *	9/1989	Schwartz D24/185
4,909,264 A	3/1990	Wadsworth, III	
D308,725 S *	6/1990	Kraus D24/128
D315,214 S *	3/1991	Nowak D24/128
D323,560 S *	1/1992	Boyce et al. D24/184
D325,440 S *	4/1992	Landis et al. D24/185
5,181,681 A	1/1993	Edwards	
5,511,674 A *	4/1996	Boyd et al. 211/70.6
D406,434 S	3/1999	Boettcher, Jr.	
D414,554 S *	9/1999	Salmon et al. D24/185

D423,671 S *	4/2000	Garito et al. D24/185
D433,848 S *	11/2000	Sorel et al. D6/480
D436,167 S *	1/2001	Ebert D24/128
D459,477 S *	6/2002	Stocks et al. D24/186
6,832,560 B2 *	12/2004	Seiler et al. 108/7
D506,259 S *	6/2005	Connelly D24/185
D531,728 S *	11/2006	Helgeson D24/164
D548,918 S *	8/2007	Nussberger et al. D34/17
D553,324 S *	10/2007	Lieblein et al. D34/14
D559,390 S *	1/2008	Diener et al. D24/186
D568,467 S *	5/2008	Cottone D24/128
D585,991 S *	2/2009	Helgeson et al. D24/176
D588,272 S *	3/2009	Meiser D24/185
D606,202 S *	12/2009	Banryu D24/185
2003/0089287 A1	5/2003	Tseng	
2003/0233964 A1	12/2003	Comeaux	
2007/0170767 A1	7/2007	Oberlaender	
2009/0050162 A1	2/2009	Turner	

* cited by examiner

Primary Examiner—T. Chase Nelson

Assistant Examiner—Mark Cavanna

(74) *Attorney, Agent, or Firm*—QuickPatents, Inc.; Kevin Prince

(57) **CLAIM**

What is claimed is the ornamental design for an anterior posterior surgical stand and tray, as shown and described.

DESCRIPTION

FIG. 1 is an exploded perspective view of an anterior posterior surgical stand and tray, showing the new design;

FIG. 2 is a perspective view thereof;

FIG. 3 is a front elevational view thereof;

FIG. 4 is a rear elevational view thereof;

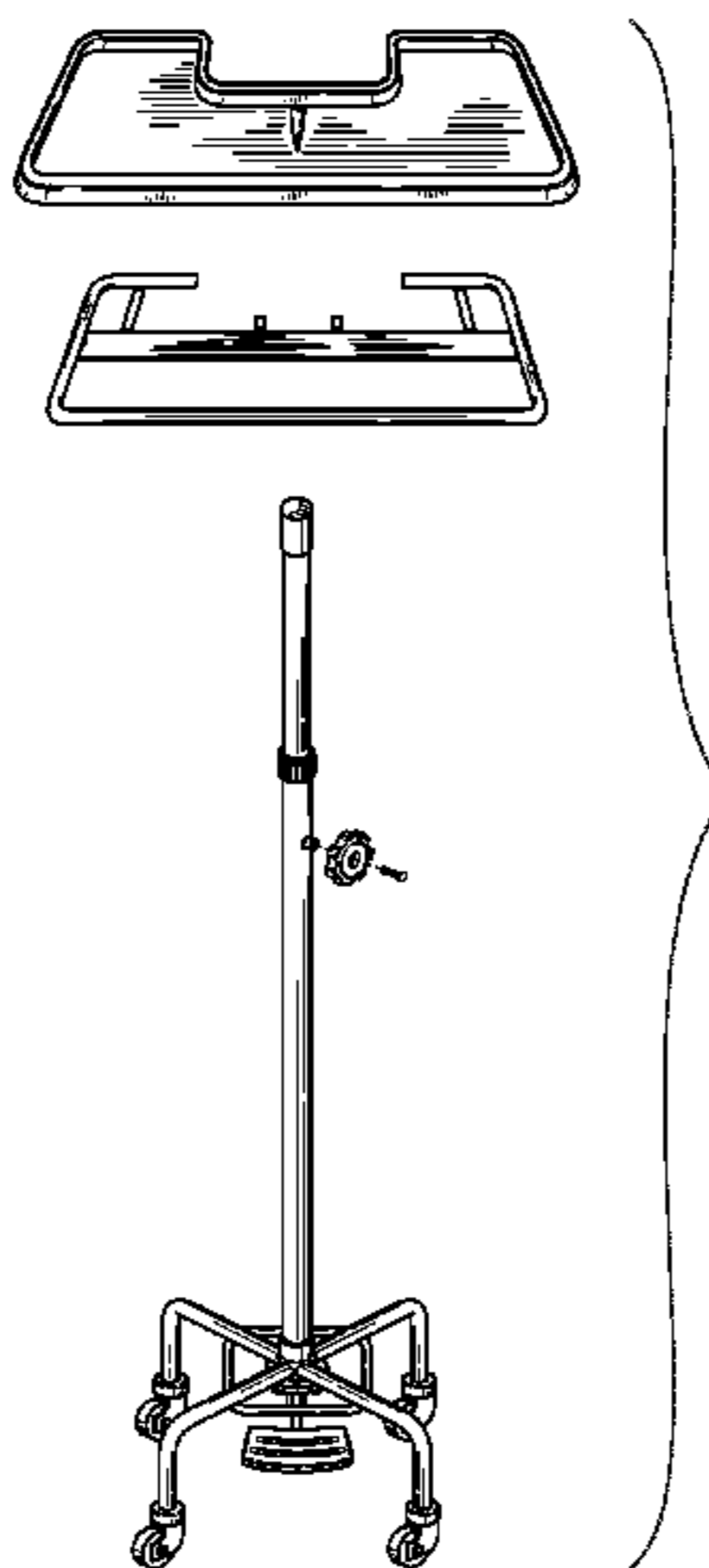
FIG. 5 is a right-side elevational view thereof;

FIG. 6 is a left-side elevational view thereof;

FIG. 7 is a top plan view thereof; and,

FIG. 8 is a bottom plan view thereof.

1 Claim, 4 Drawing Sheets



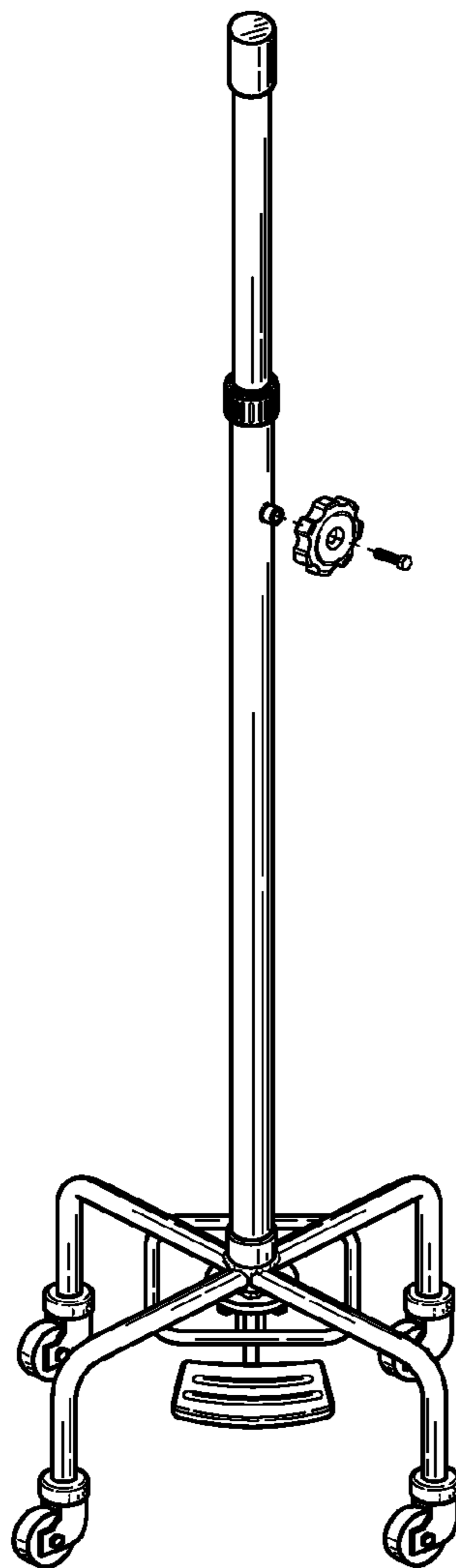
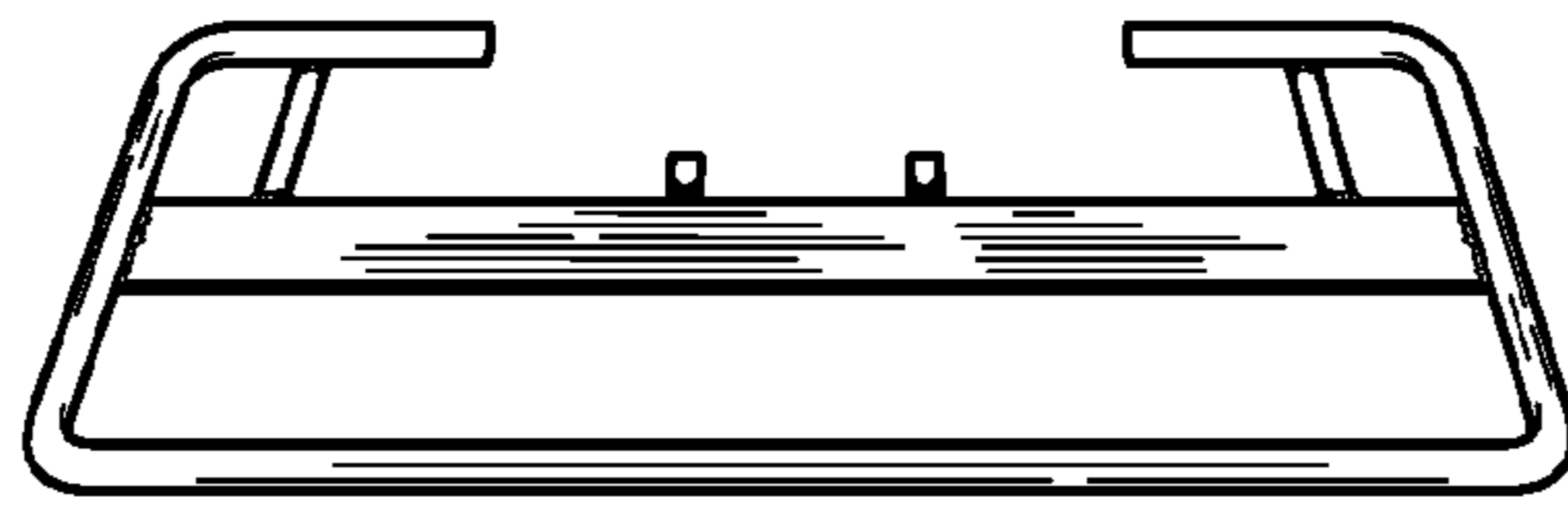
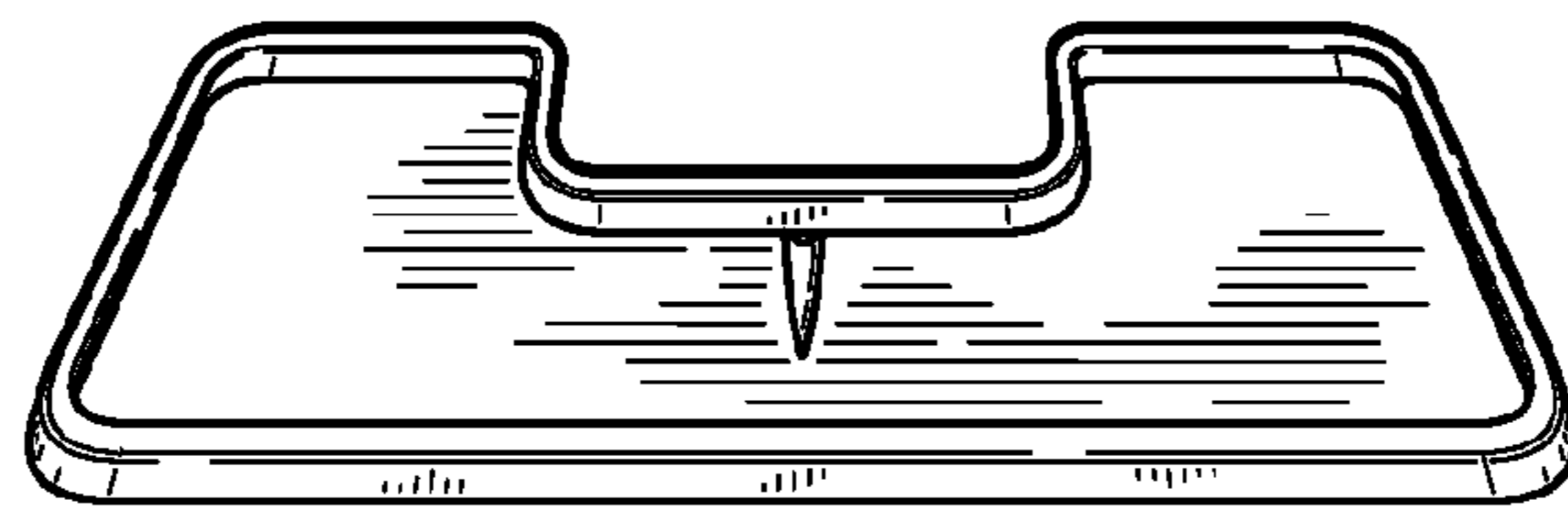


FIG. 1

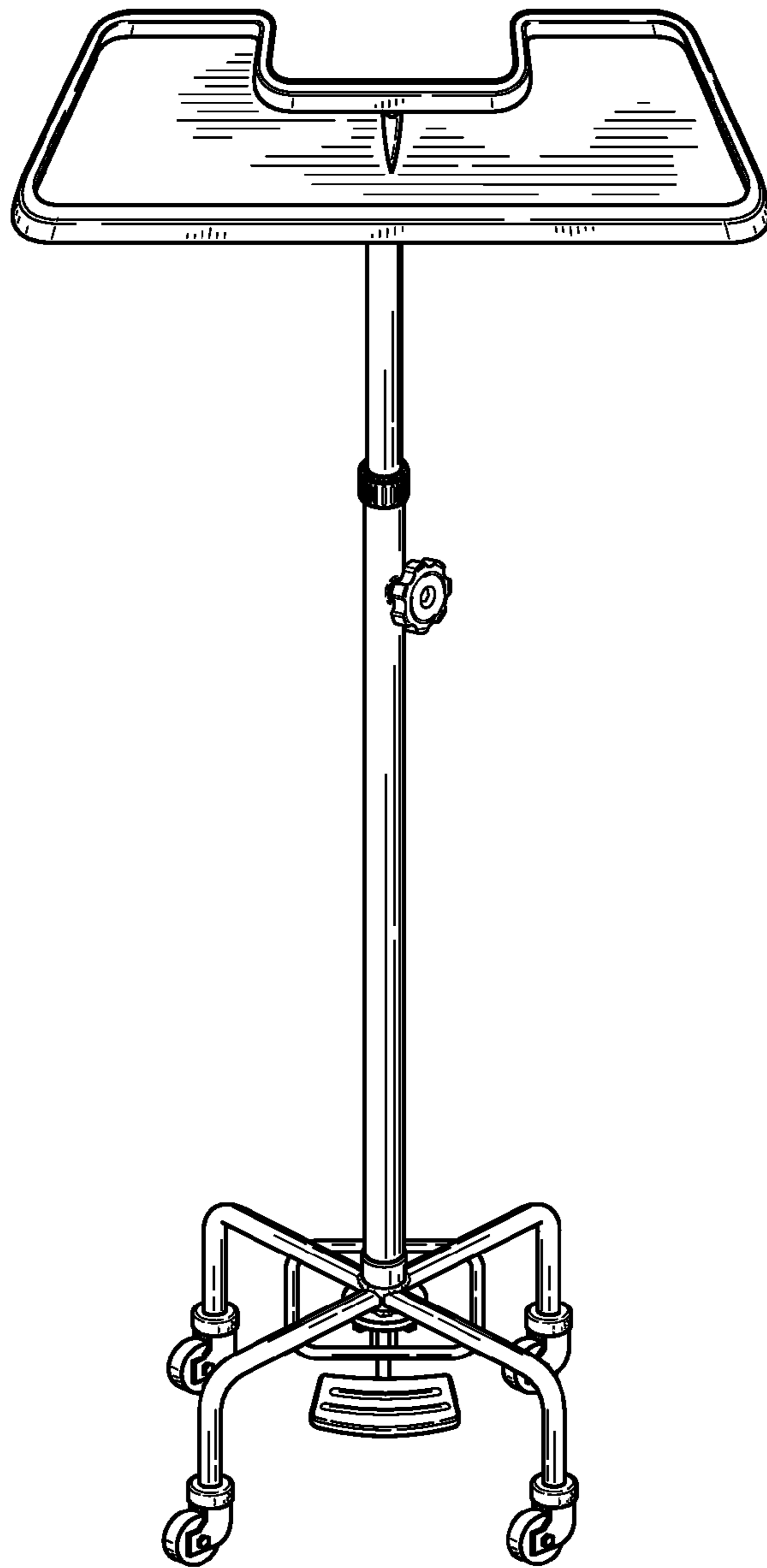


FIG. 2

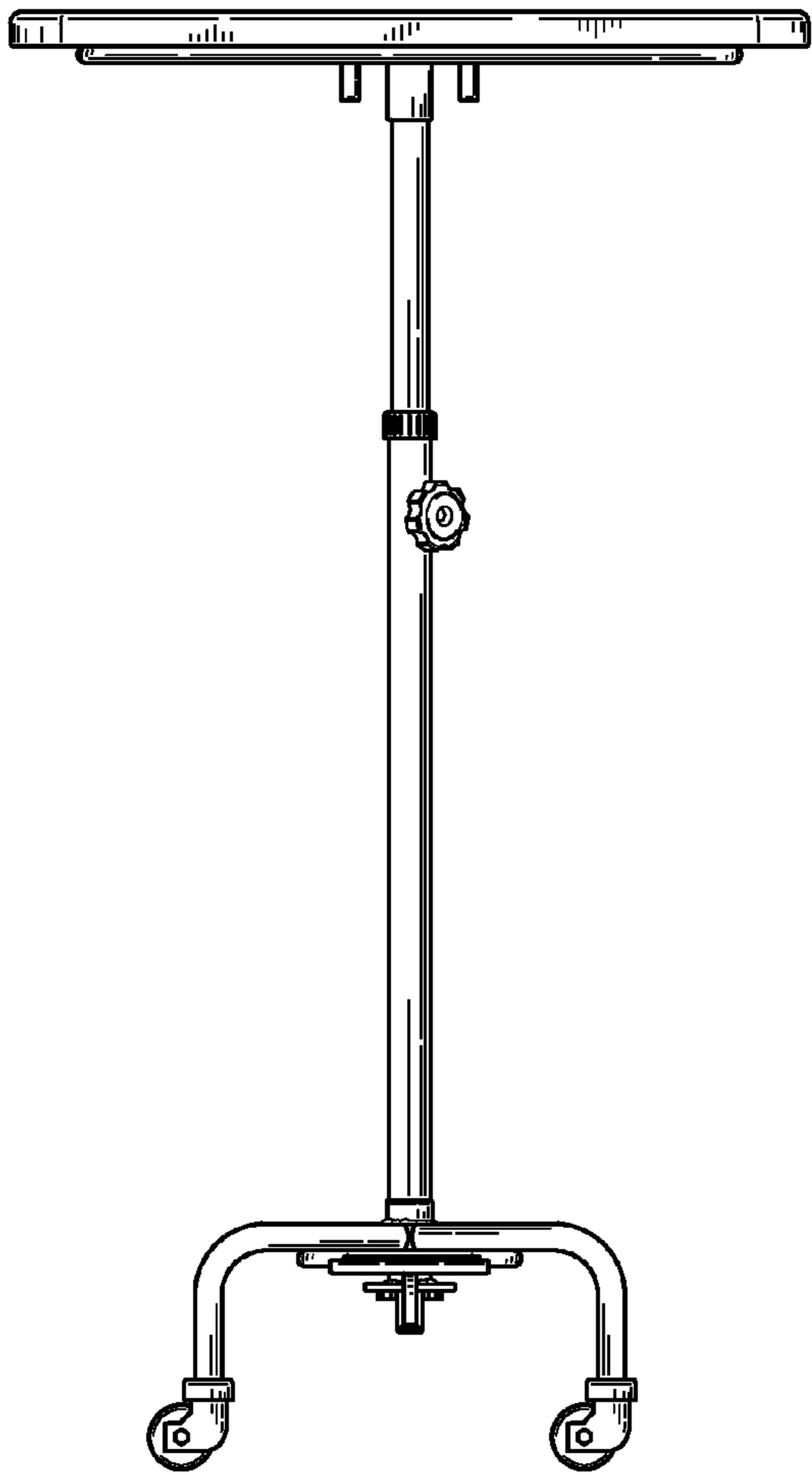


FIG. 3

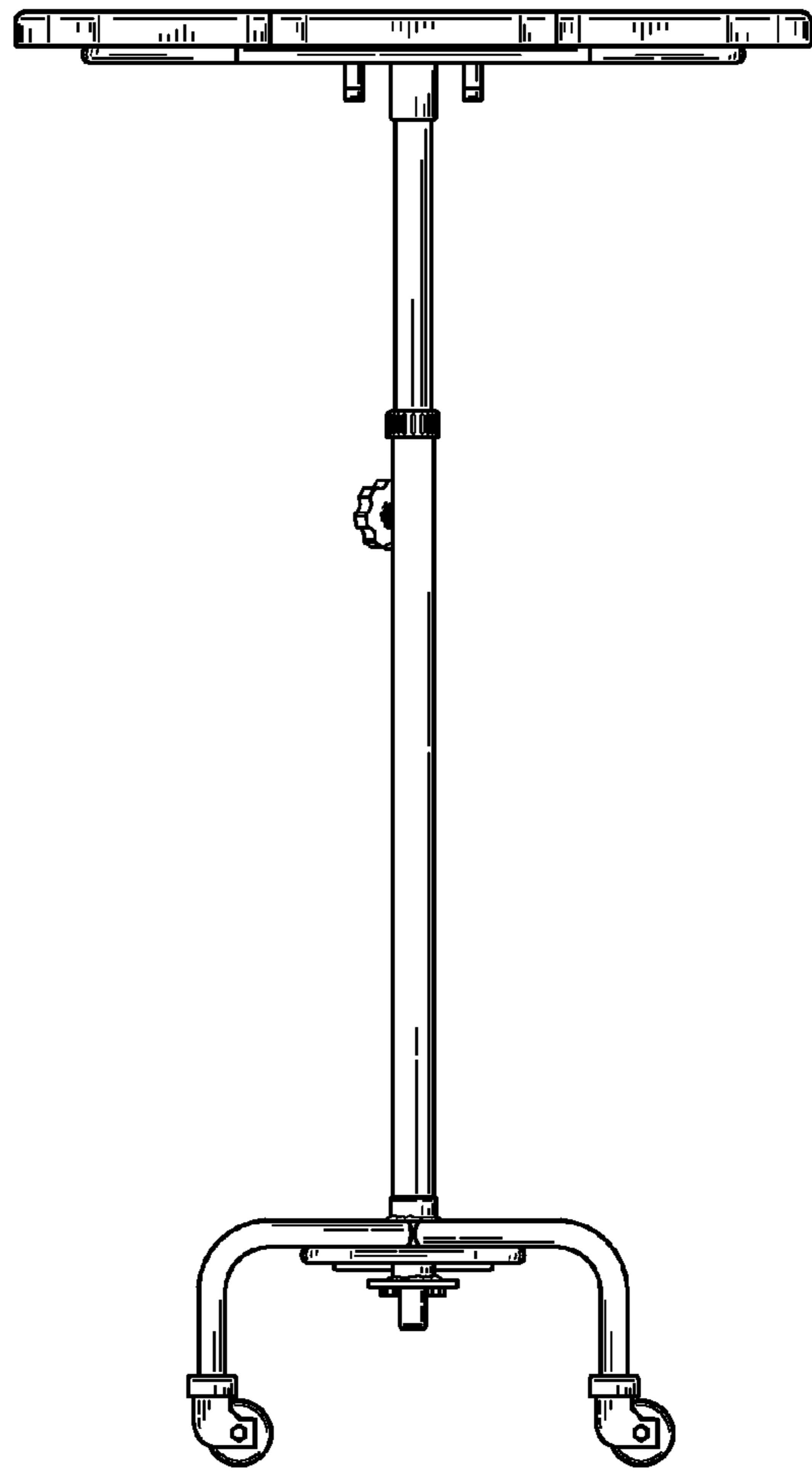


FIG. 4

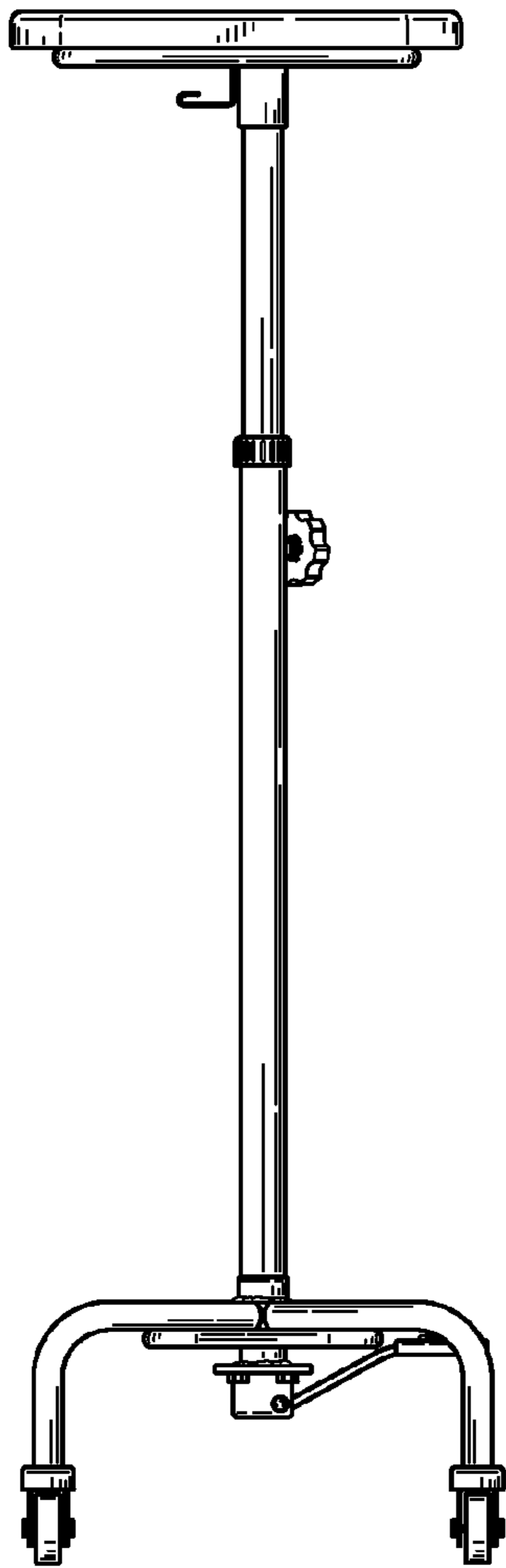


FIG. 5

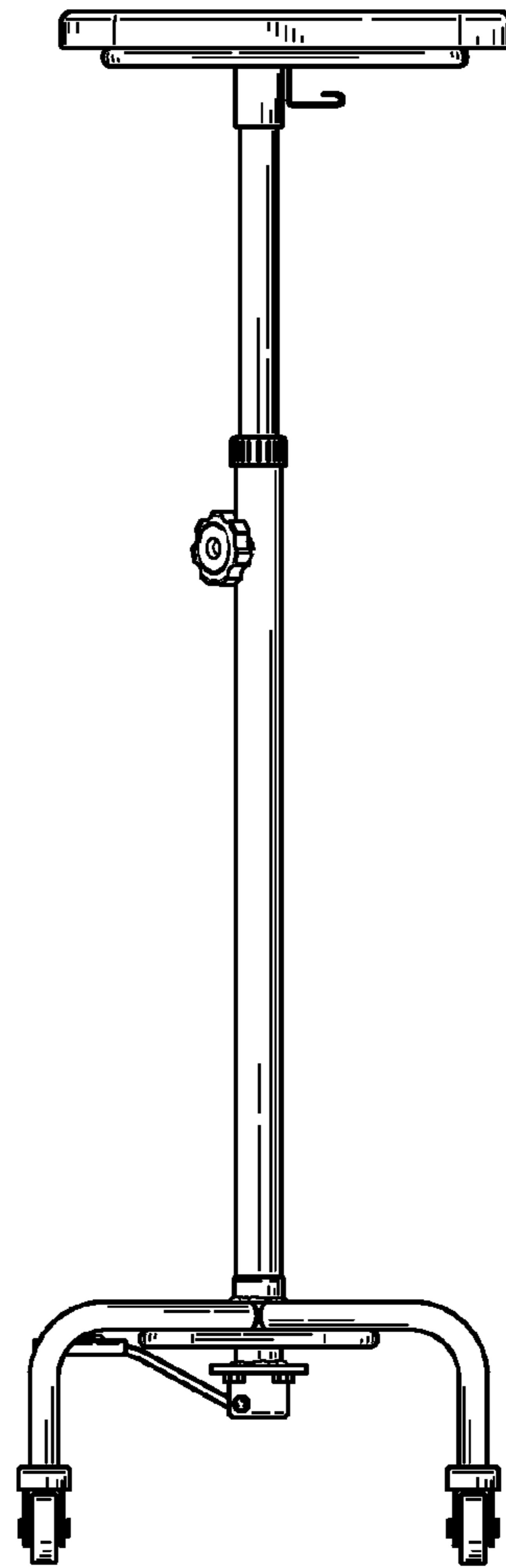


FIG. 6

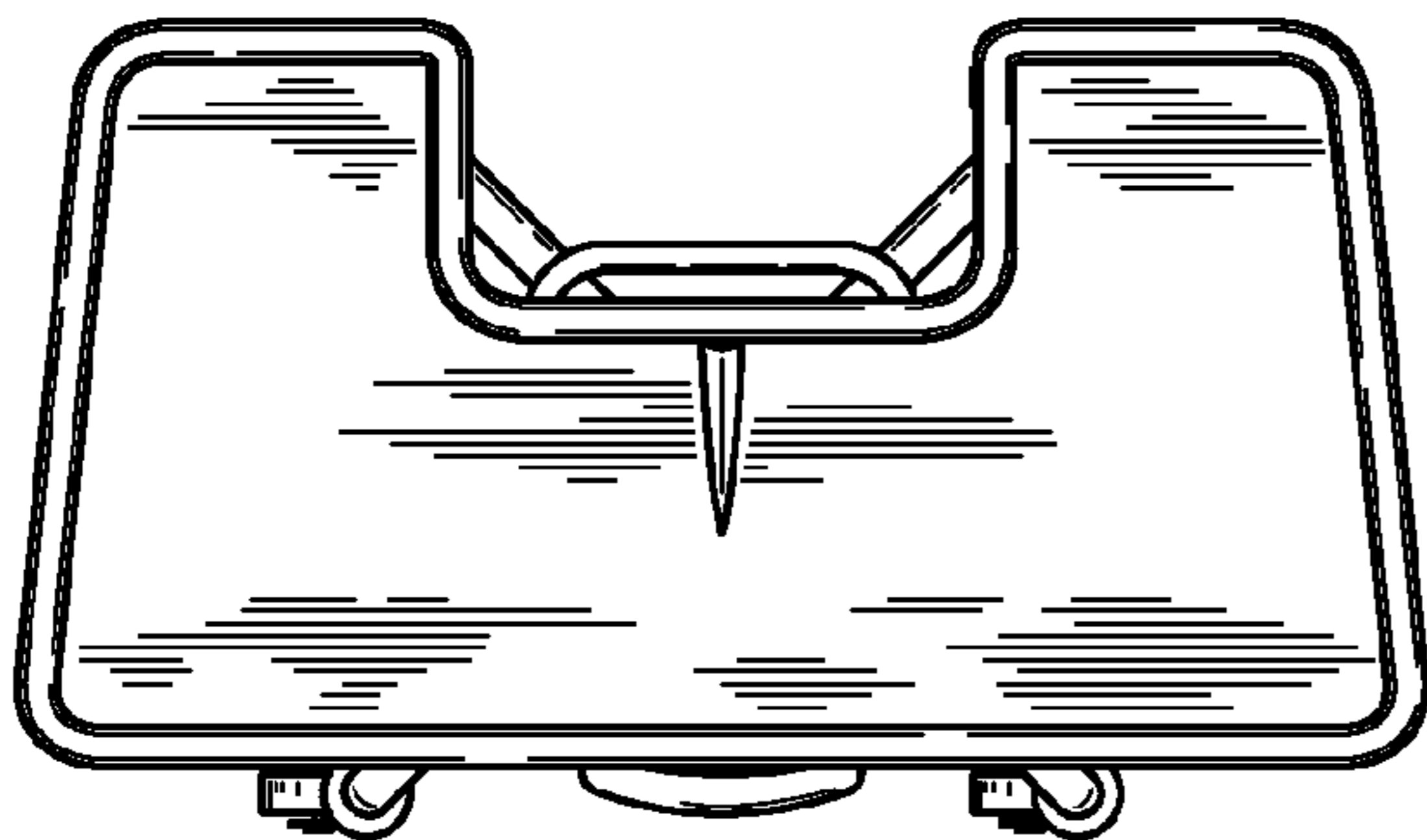


FIG. 7

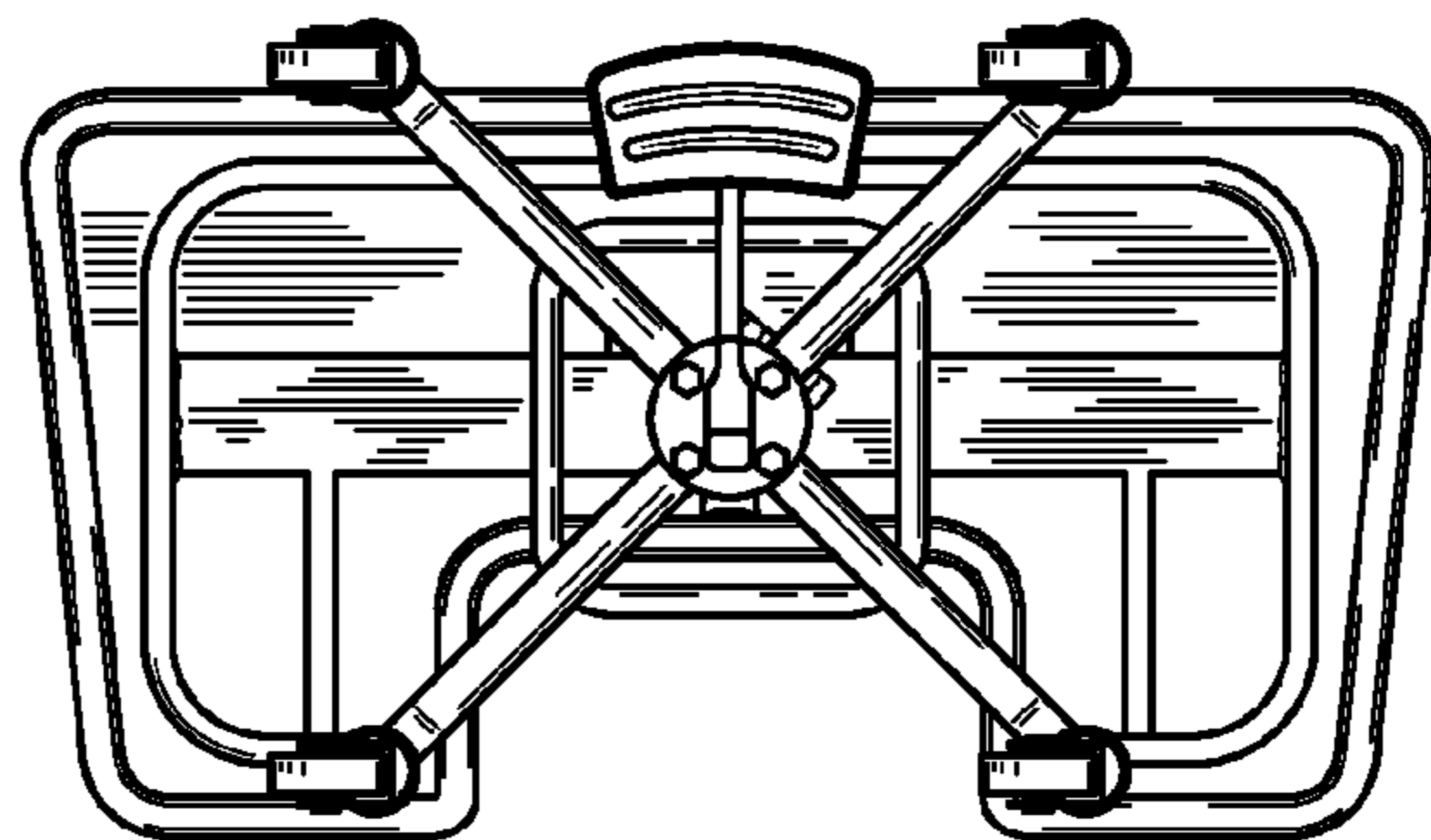


FIG. 8

UNITED STATES PATENT AND TRADEMARK OFFICE
Certificate

Patent No. D. 626,238 S

Patented: October 26, 2010

On petition requesting issuance of a certificate for correction of inventorship pursuant to 35 U.S.C. 256, it has been found that the above identified patent, through error and without any deceptive intent, improperly sets forth the inventorship.

Accordingly, it is hereby certified that the correct inventorship of this patent is: Thomas J. Zinnanti, Cumming, GA (US); and Red M. Alinsod, Laguna Beach, CA (US).

Signed and Sealed this Eleventh Day of June 2013.

CELIA MURPHY
Supervisory Patent Examiner
Art Unit 2914
Technology Center 2900