



US00D626235S

(12) **United States Design Patent**
Smith et al.

(10) **Patent No.:** **US D626,235 S**

(45) **Date of Patent:** **** Oct. 26, 2010**

(54) **ULTRASOUND SCANNER**

(75) Inventors: **Johannes Anders Smith**, Hellerup
(DK); **Ole Christian Jensen**, Værløse
(DK)

(73) Assignee: **B-K Medical APS**, Herlev (DK)

(**) Term: **14 Years**

(21) Appl. No.: **29/335,928**

(22) Filed: **Apr. 24, 2009**

(51) **LOC (9) Cl.** **24-01**

(52) **U.S. Cl.** **D24/158**

(58) **Field of Classification Search** D24/158-161,
D24/186, 183-185; 378/4, 19-21, 23, 25,
378/27, 146; 600/437, 440

See application file for complete search history.

(56) **References Cited**

U.S. PATENT DOCUMENTS

D338,272 S *	8/1993	Cunagin et al.	D24/167
D368,521 S *	4/1996	Asai et al.	D24/160
D387,168 S *	12/1997	Edelman et al.	D24/186
D412,748 S *	8/1999	Nabarro	D24/158
D438,952 S *	3/2001	Cimino et al.	D24/185
D472,635 S *	4/2003	Stringer et al.	D24/160
D492,997 S *	7/2004	DiStasio	D24/158

D509,900 S *	9/2005	Barnes et al.	D24/160
D518,267 S *	3/2006	Arceta	D24/185
D603,048 S *	10/2009	Fleck et al.	D24/185
D606,202 S *	12/2009	Banryu	D24/185

* cited by examiner

Primary Examiner—T. Chase Nelson

Assistant Examiner—Anhdao Doan

(74) *Attorney, Agent, or Firm*—Anthony M. Del Zeppo, III;
Driggs, Hogg, Daugherty & Del Zoppo Co., L.P.A.

(57) **CLAIM**

The ornamental design for an ultrasound scanner, as shown and described.

DESCRIPTION

FIG. 1 is a perspective view of an ultrasound scanner showing our new design;

FIG. 2 is a front view thereof;

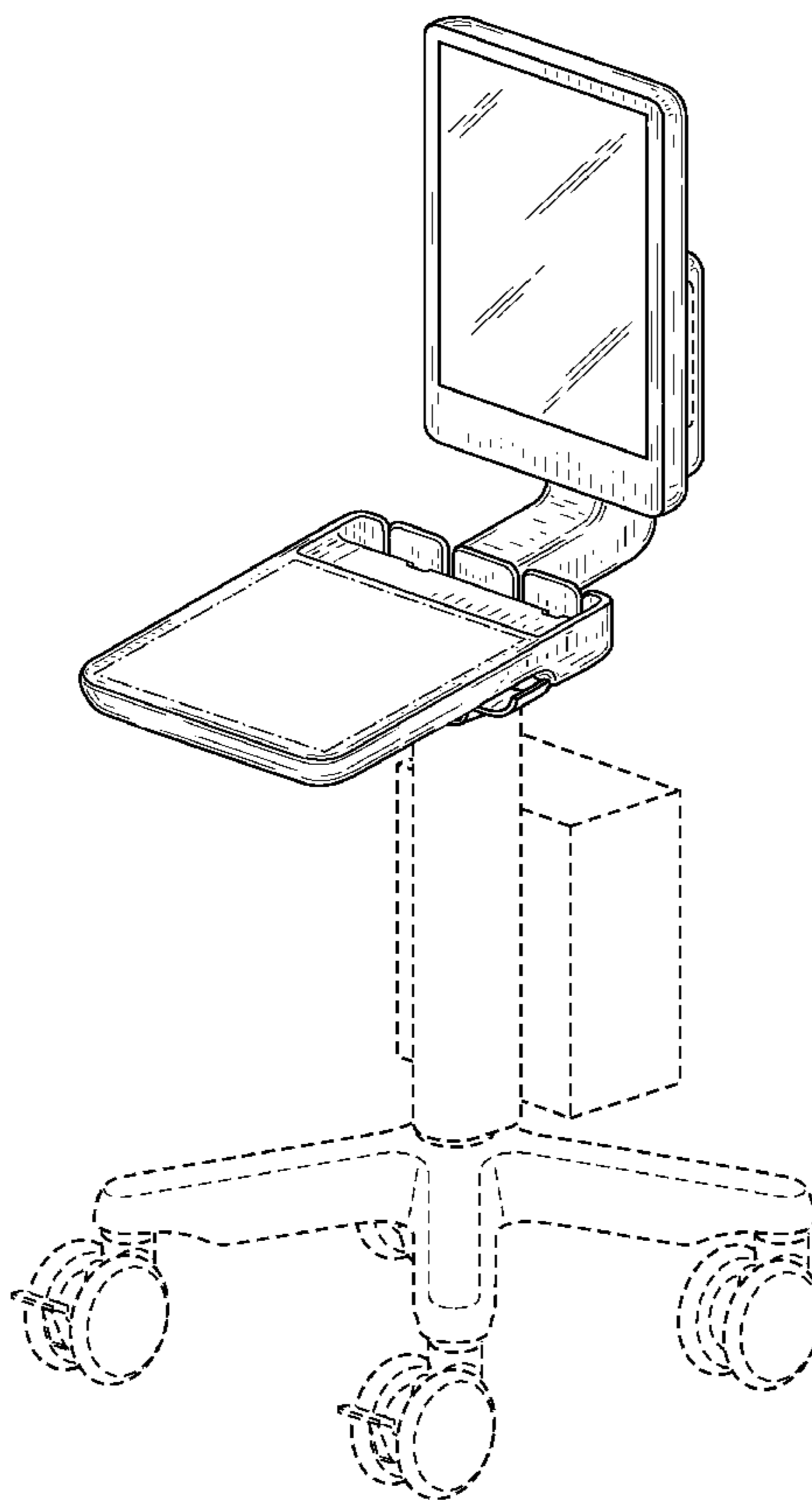
FIG. 3 is a rear view thereof;

FIG. 4 is a left side view thereof, the right side view being a mirror image; and,

FIG. 5 is a top view thereof.

The broken lines in the drawing views are included for the purpose of illustrating portions of the ultrasound scanner that form no part of the claimed design

1 Claim, 5 Drawing Sheets



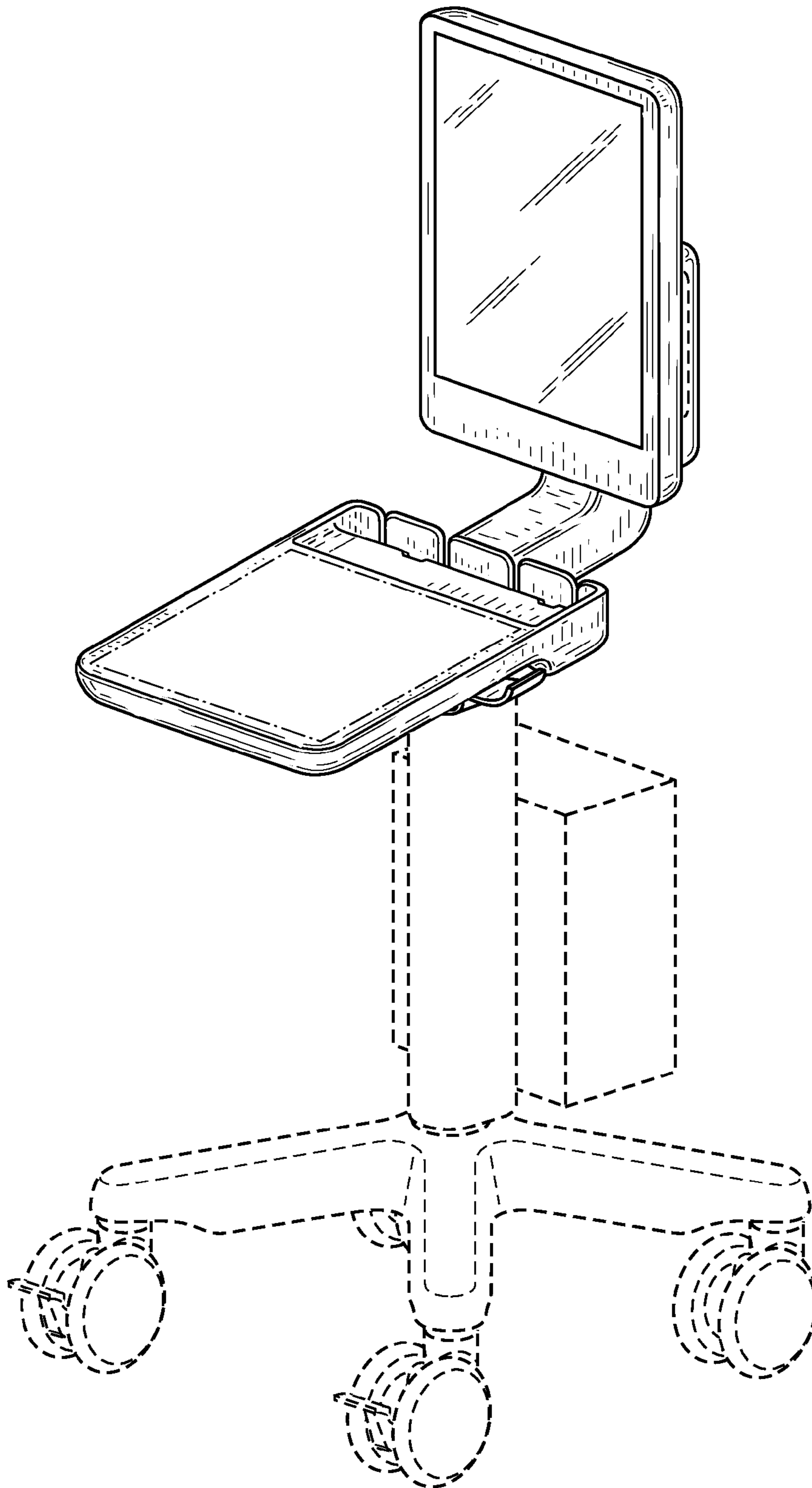


FIG. 1

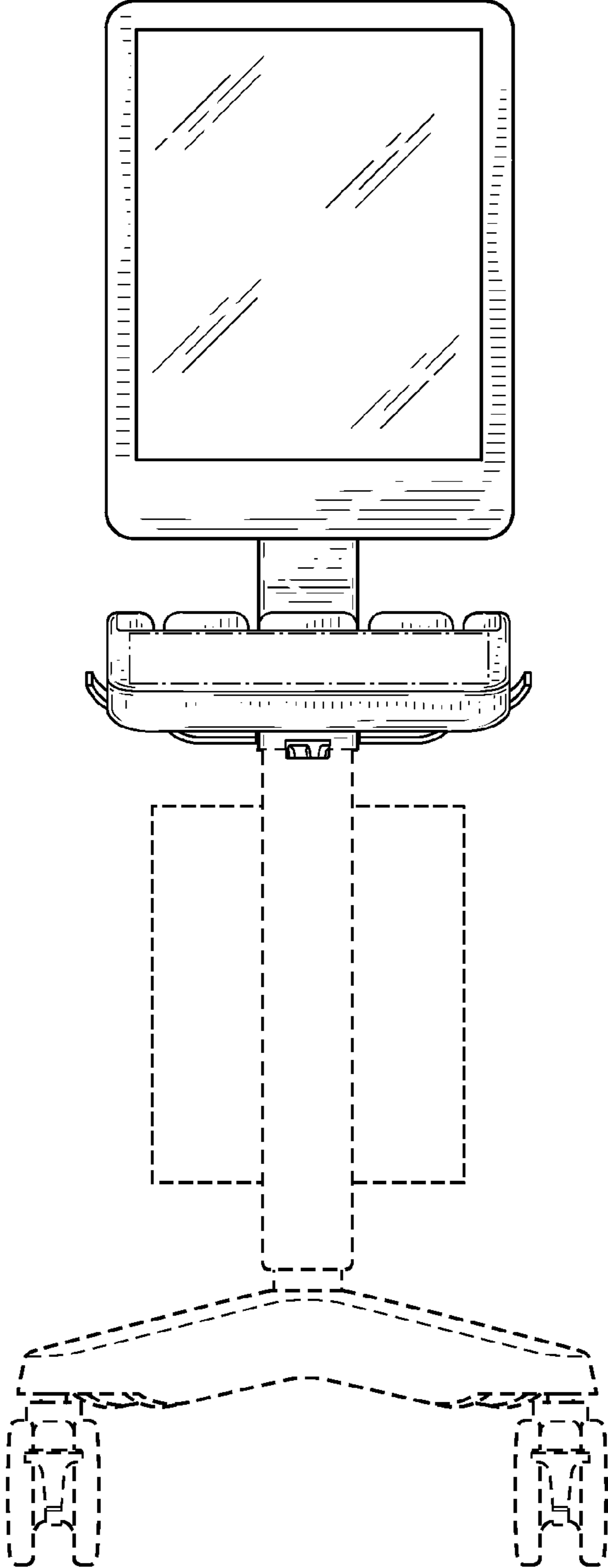


FIG. 2

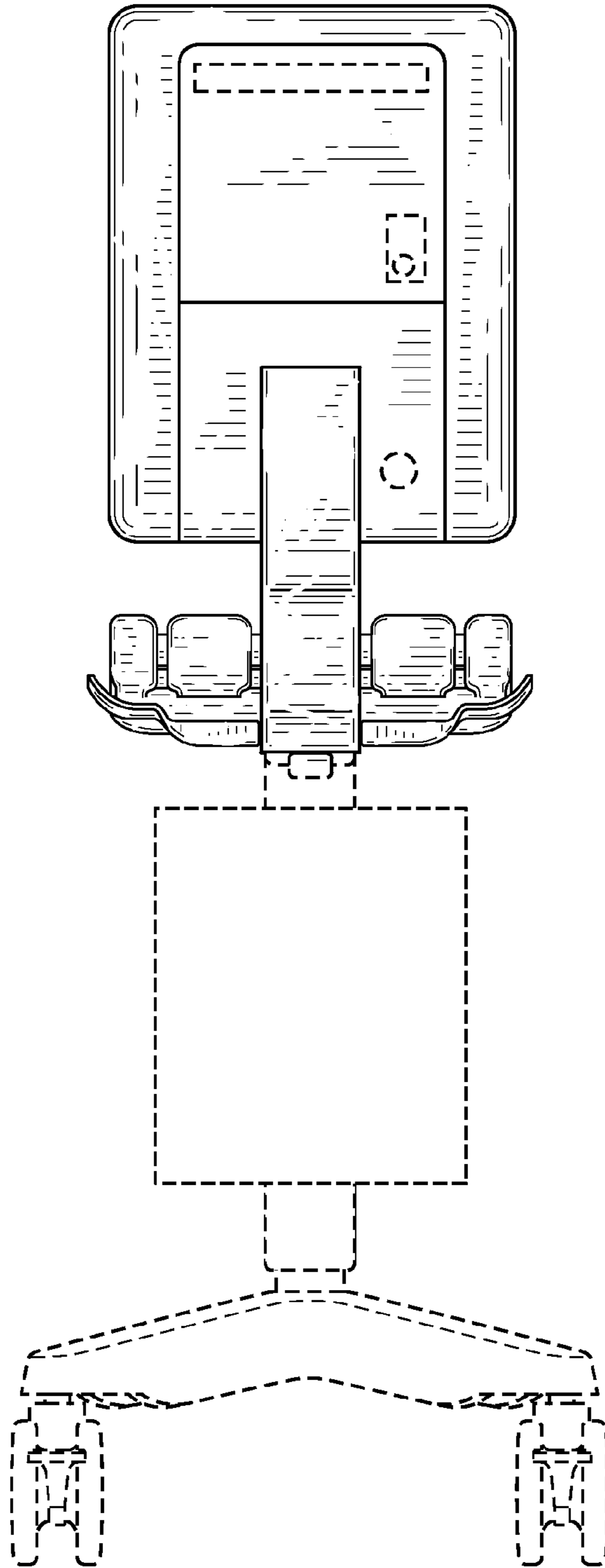


FIG. 3

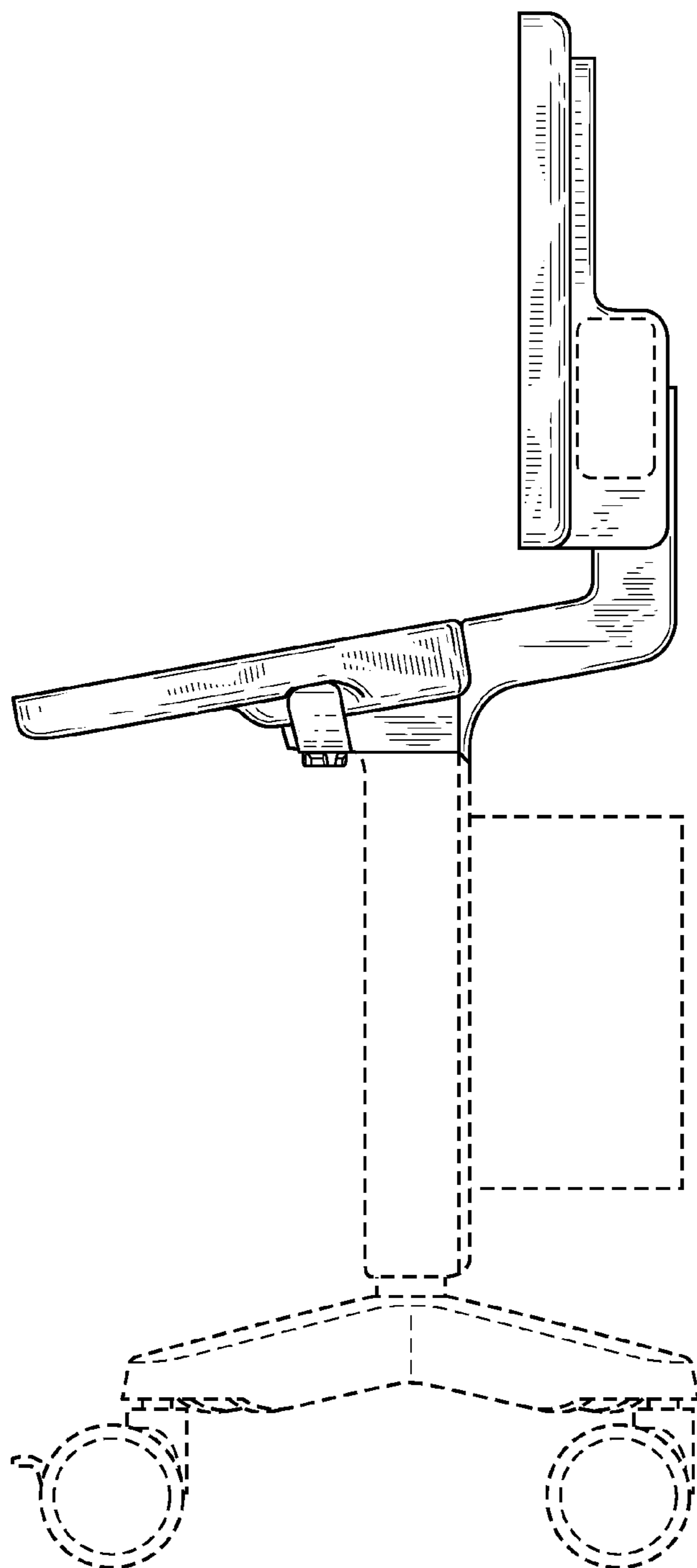


FIG. 4

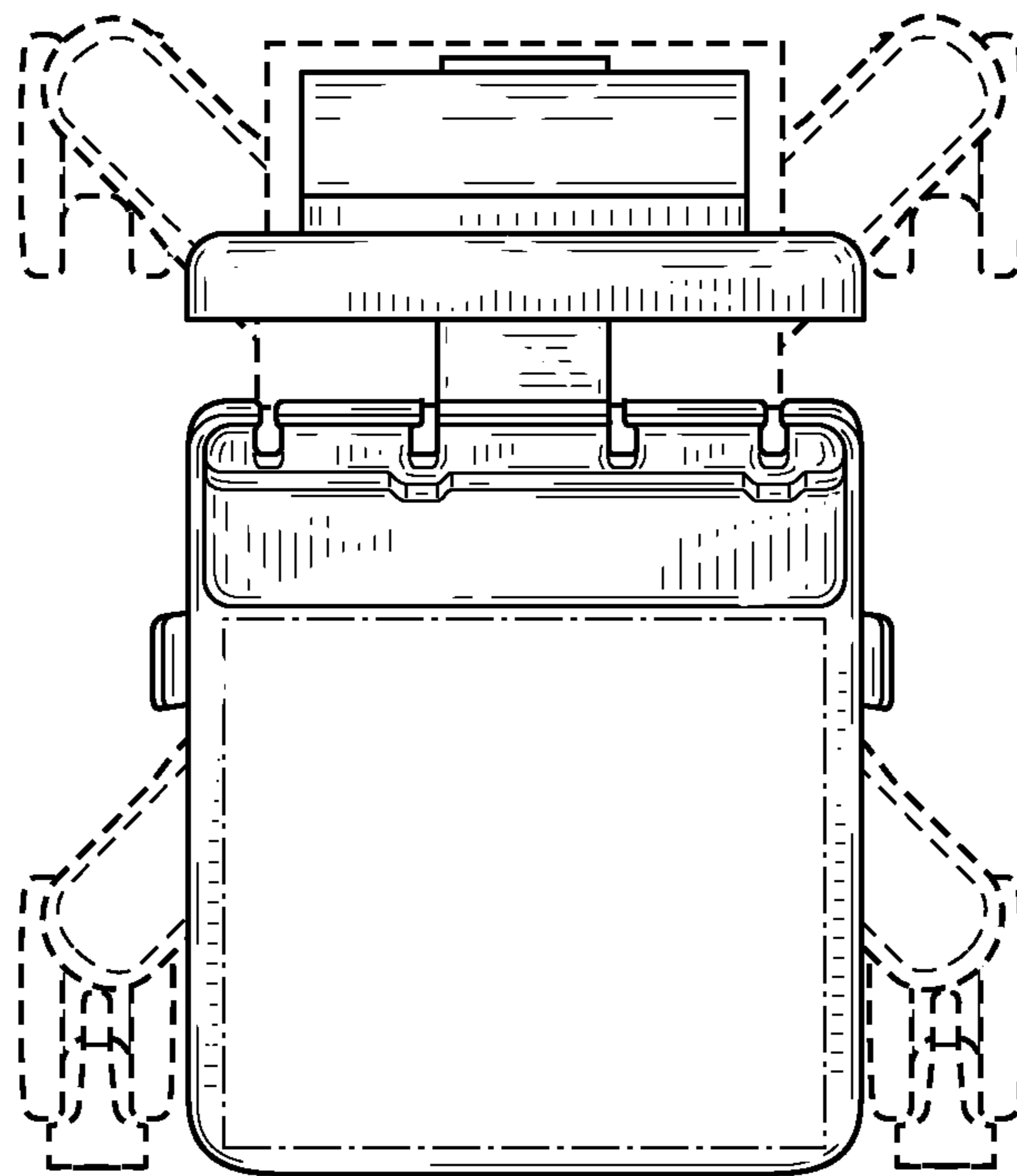


FIG. 5