



US00D626224S

(12) **United States Design Patent**  
**Amano et al.**

(10) **Patent No.:** **US D626,224 S**

(45) **Date of Patent:** **\*\* Oct. 26, 2010**

(54) **CONTROLLER FOR MEDICAL APPARATUS**

(75) Inventors: **Hirotohi Amano**, Tachikawa (JP);  
**Kenji Tajima**, Hachioji (JP); **Takao Tabata**, Hachioji (JP)

(73) Assignee: **Olympus Medical Systems Corp.**,  
Tokyo (JP)

(\*\*) Term: **14 Years**

(21) Appl. No.: **29/329,853**

(22) Filed: **Dec. 22, 2008**

(30) **Foreign Application Priority Data**

Jul. 4, 2008	(JP)	.....	2008-017303
Jul. 4, 2008	(JP)	.....	2008-017304
Jul. 4, 2008	(JP)	.....	2008-017305
Jul. 4, 2008	(JP)	.....	2008-017306
Sep. 5, 2008	(JP)	.....	2008-022913

(51) **LOC (9) Cl.** ..... **24-02**

(52) **U.S. Cl.** ..... **D24/138; D24/107; D24/144**

(58) **Field of Classification Search** ..... D24/107,  
D24/138, 144, 170, 186; D10/46, 78, 81,  
D10/103, 122, 124, 125; D13/173, 177;  
D16/235; 600/132, 300, 301, 481, 178, 180,  
600/182

See application file for complete search history.

(56) **References Cited**

**U.S. PATENT DOCUMENTS**

D250,480	S	*	12/1978	Wettermann et al.	.....	D24/170
D376,207	S	*	12/1996	Buczek et al.	.....	D24/138
D412,977	S	*	8/1999	Hayamizu	.....	D24/107
D534,654	S	*	1/2007	Hayamizu	.....	D24/138
D535,745	S	*	1/2007	Hayamizu	.....	D24/138
D537,163	S	*	2/2007	Nakamura	.....	D24/138
D598,098	S	*	8/2009	Tanaka	.....	D24/138
D598,100	S	*	8/2009	Tanaka	.....	D24/138

\* cited by examiner

*Primary Examiner*—Ian Simmons

*Assistant Examiner*—Wan Laymon

(74) *Attorney, Agent, or Firm*—Holtz, Holtz, Goodman & Chick, PC

(57) **CLAIM**

The ornamental design for a controller for medical apparatus, as shown and described.

**DESCRIPTION**

FIG. 1 is a front, right side and top perspective view of a controller for medical apparatus, showing our new design;

FIG. 2 is a front elevational view thereof;

FIG. 3 is a rear elevational view thereof;

FIG. 4 is a top plan view thereof;

FIG. 5 is a bottom plan view thereof;

FIG. 6 is a right side elevational view thereof;

FIG. 7 is a left side elevational view thereof;

FIG. 8 is an enlarged fragmentary perspective view of the portion thereof surrounded by box 8 in FIG. 1, showing the power button part;

FIG. 9 is a front, right side and top perspective view of a second embodiment of a controller for medical apparatus;

FIG. 10 is a front elevational view thereof;

FIG. 11 is a rear elevational view thereof;

FIG. 12 is a top plan view thereof;

FIG. 13 is a bottom plan view thereof;

FIG. 14 is a right side elevational view thereof;

FIG. 15 is a left side elevational view thereof;

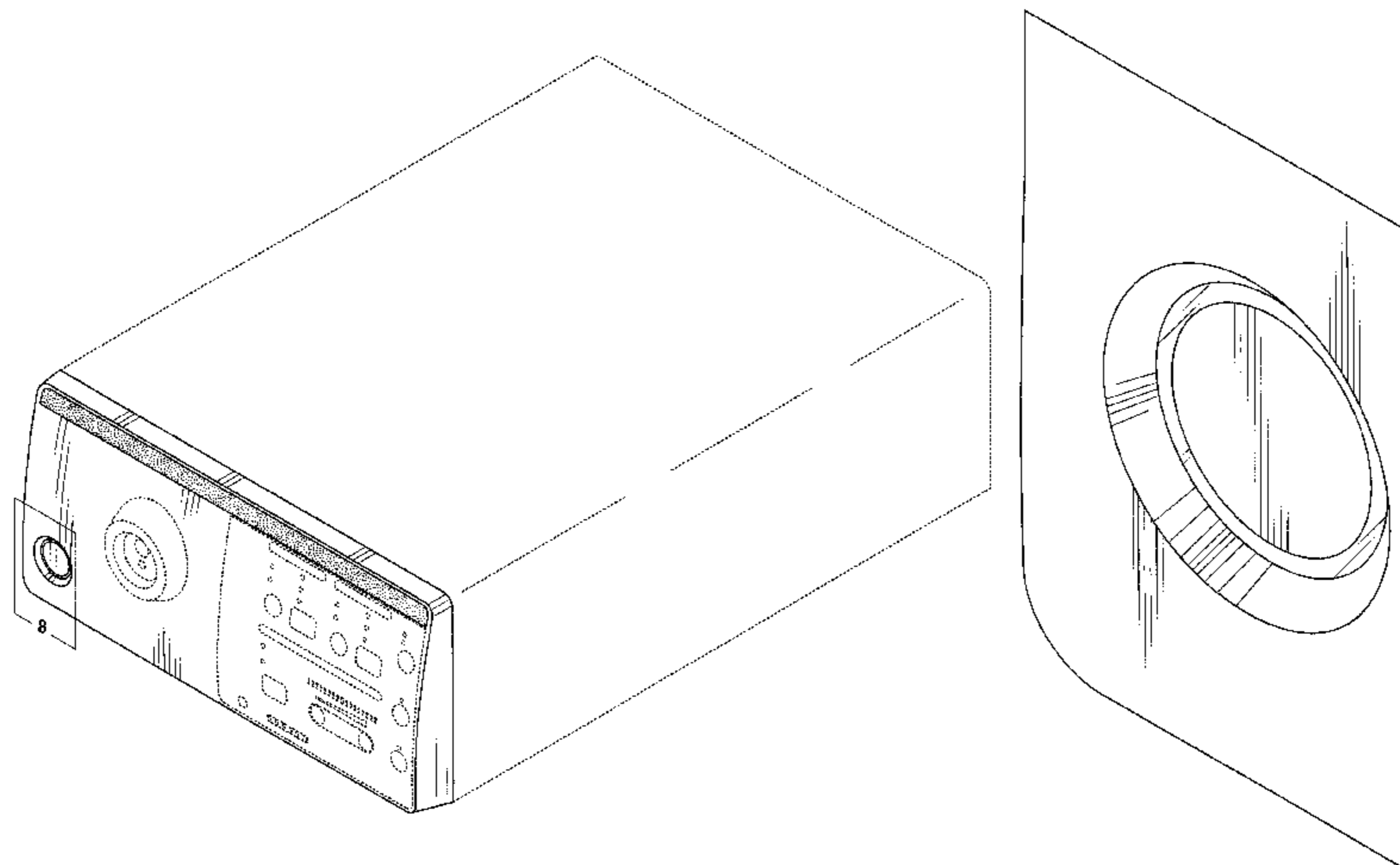
FIG. 16 is an enlarged fragmentary perspective view of the portion thereof surrounded by box 16 in FIG. 9, showing the power button part;

FIG. 17 is an enlarged front, right side and top perspective view of a portion thereof showing the front panel part; and,

FIG. 18 is an enlarged front elevational view thereof.

The broken line showings in the drawings are for illustrative purposes only and form no part of the claimed design. The stippling is used in the drawings to differentiate between the stippled and unstippled areas.

**1 Claim, 13 Drawing Sheets**



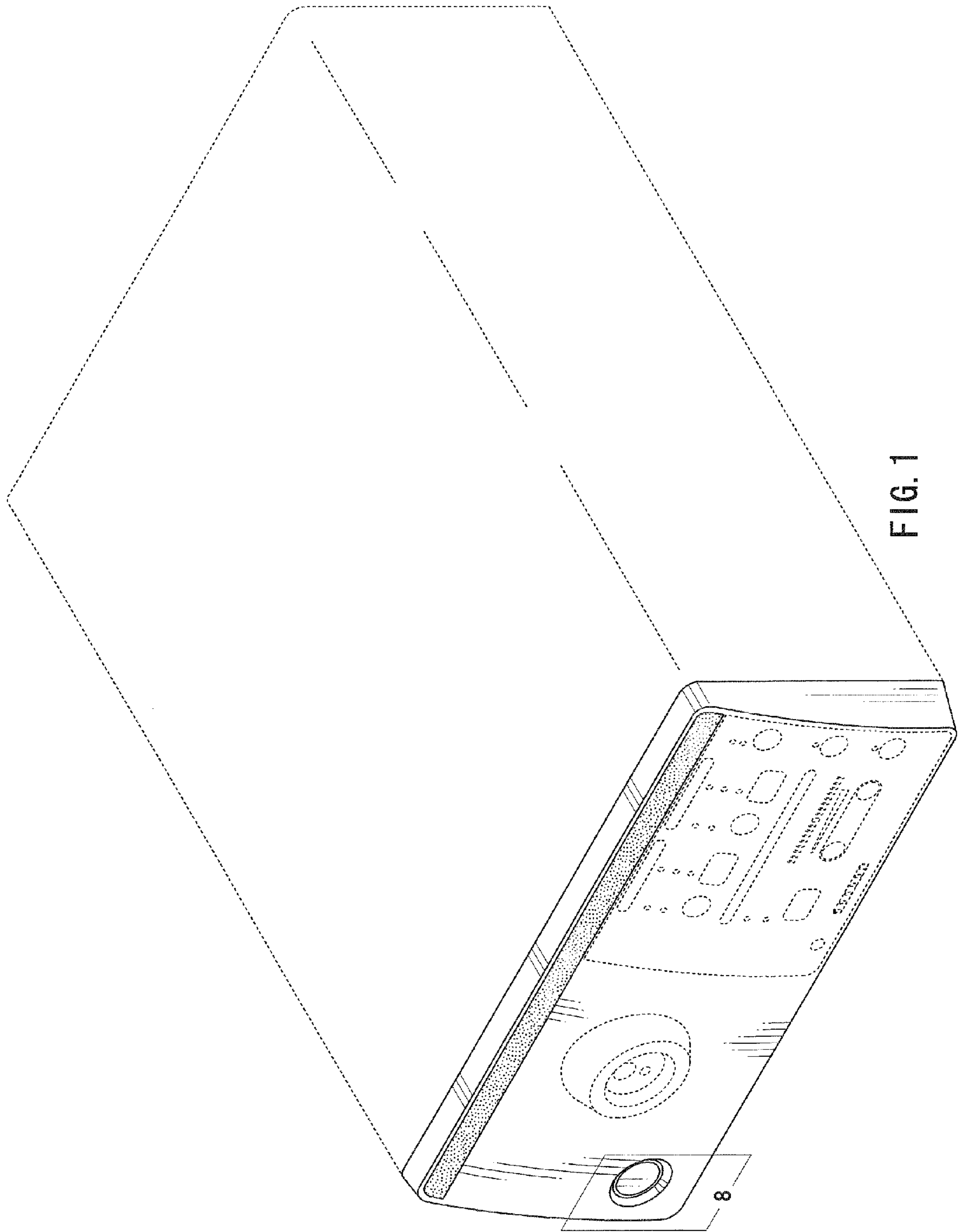


FIG. 1

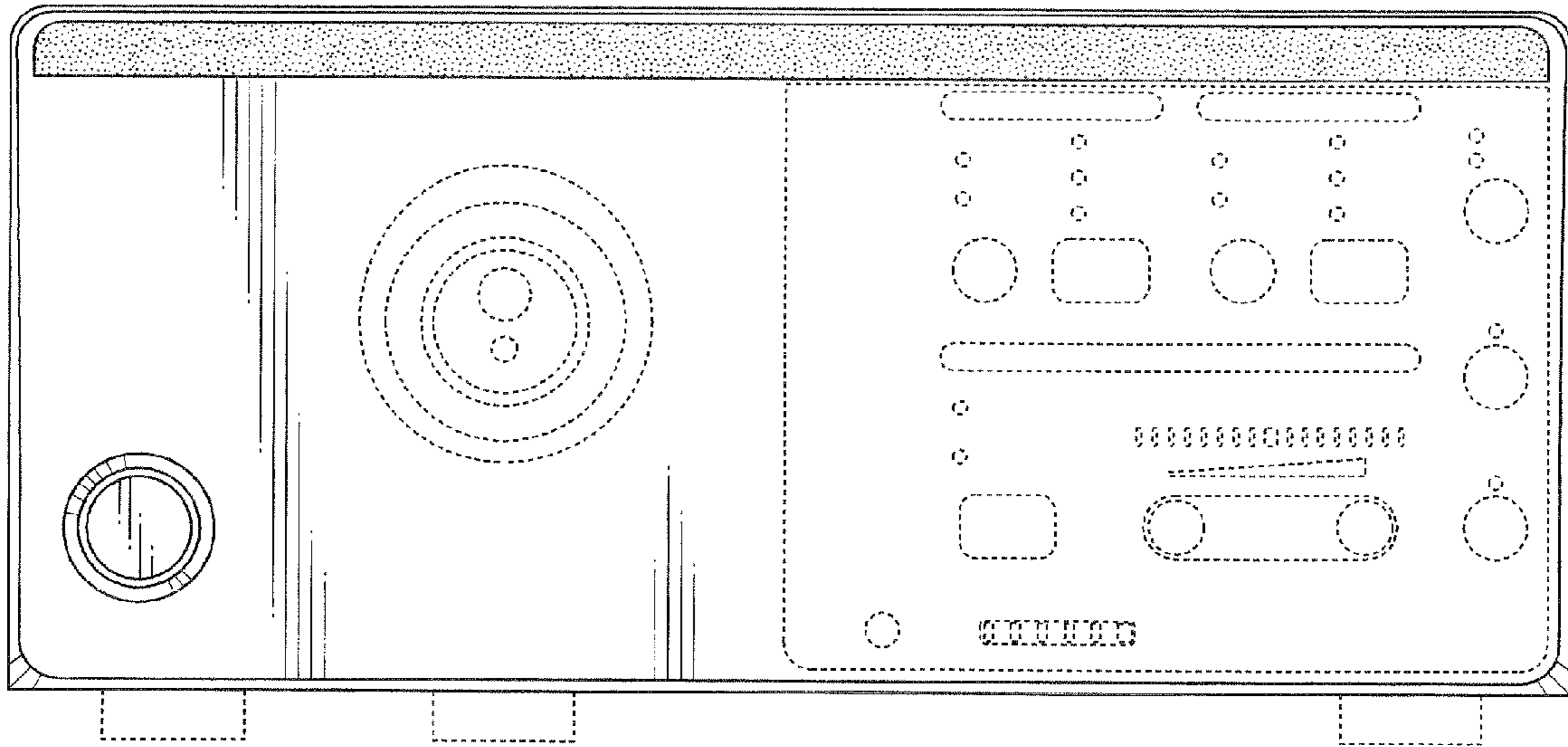


FIG. 2

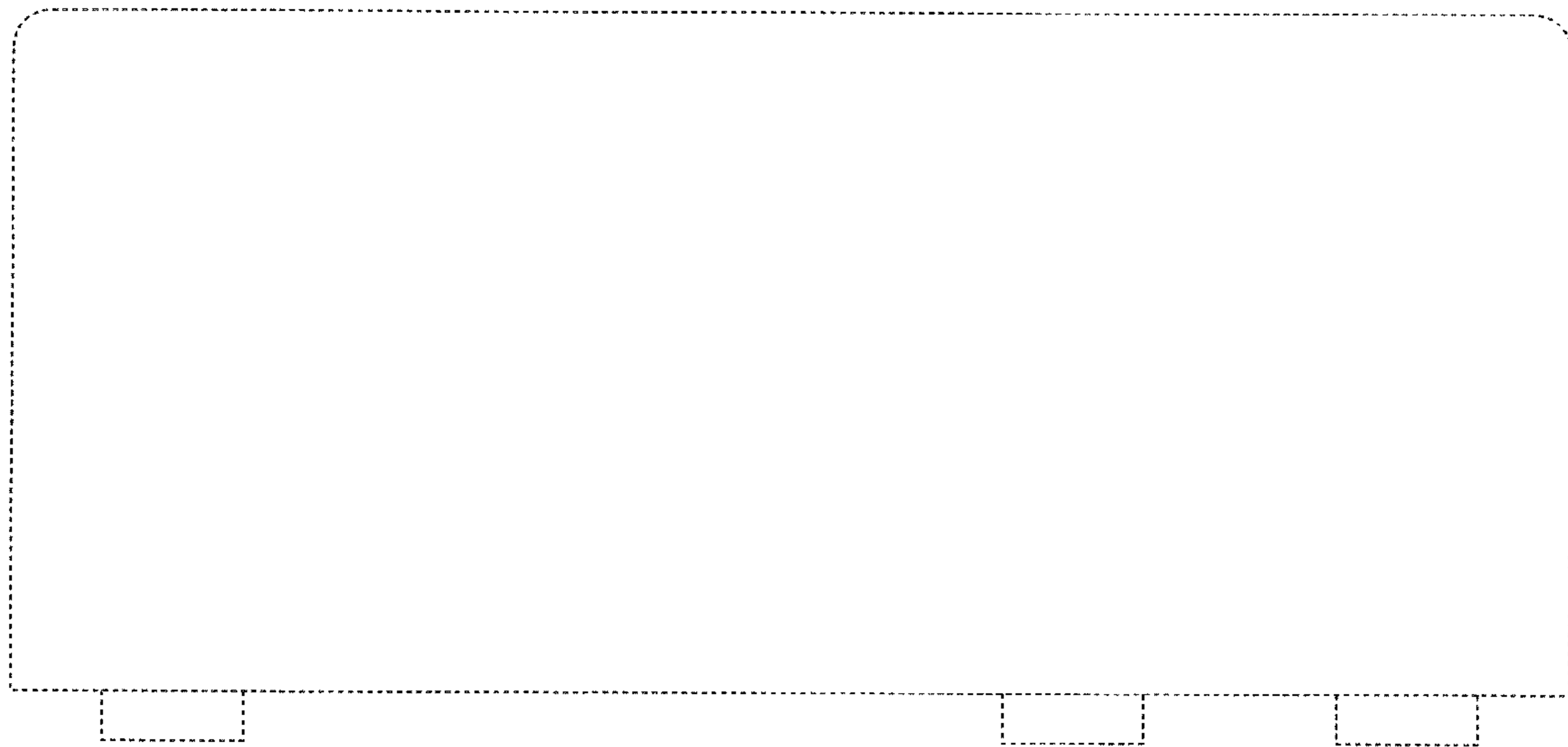


FIG. 3

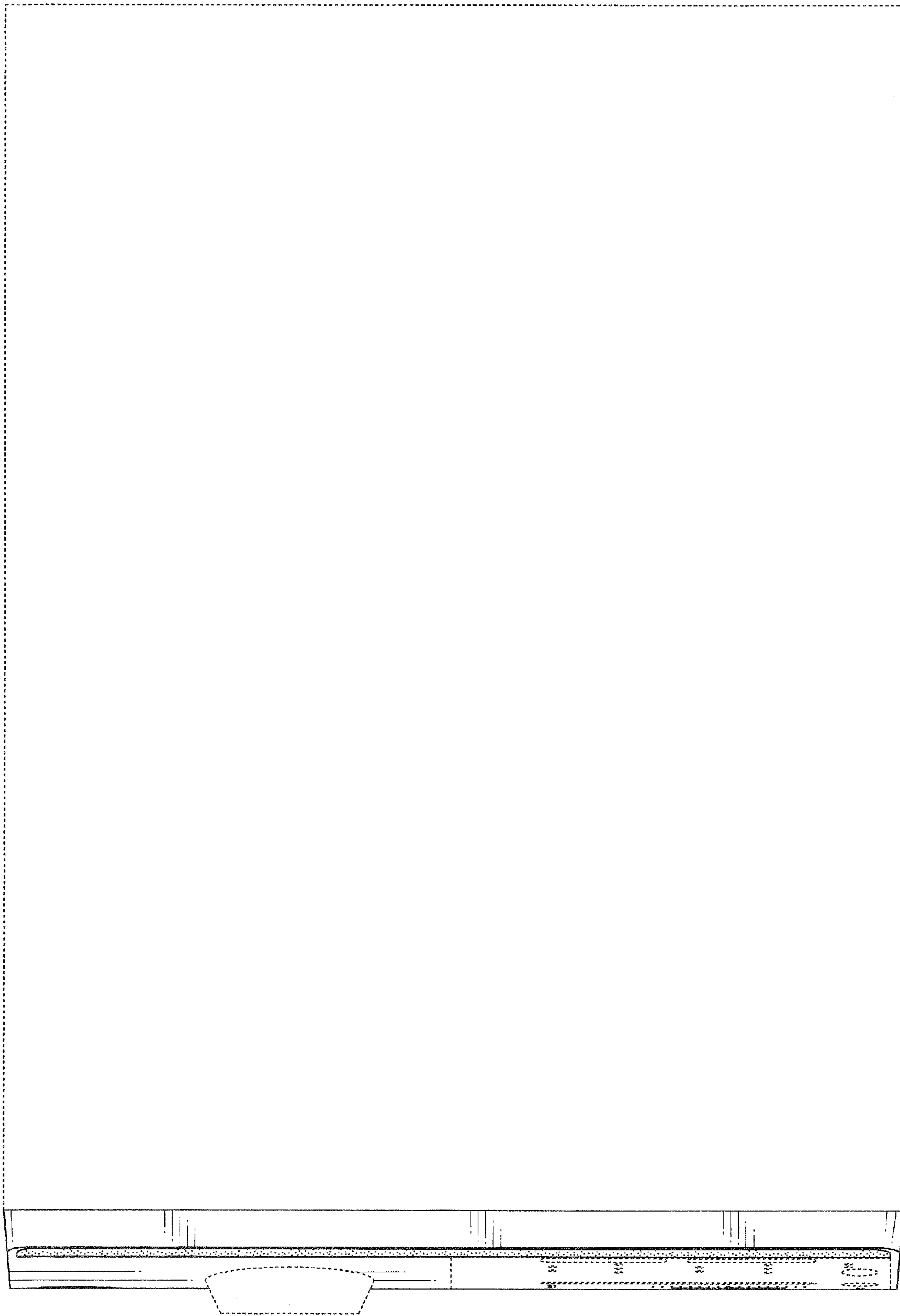


FIG. 4

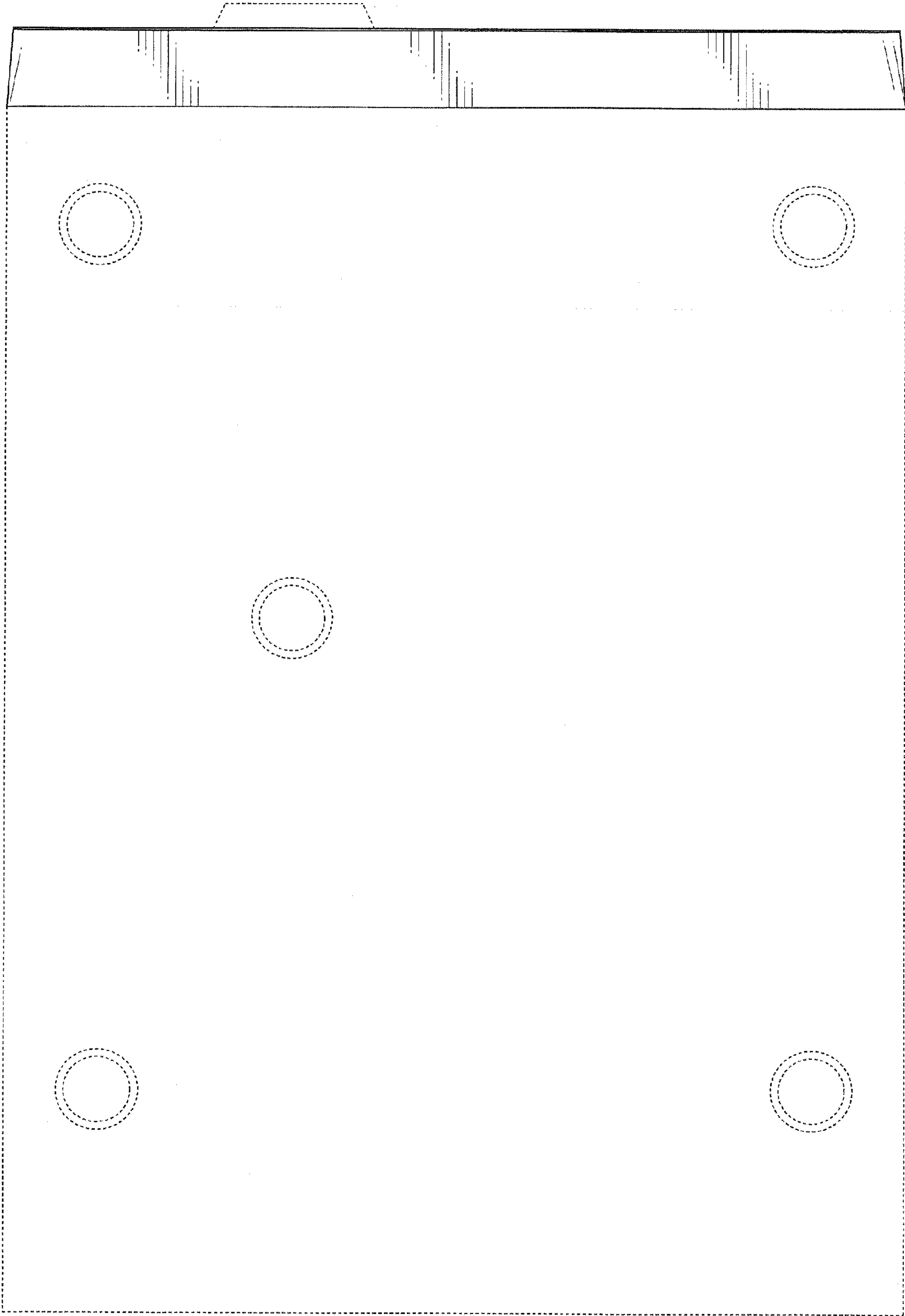


FIG. 5

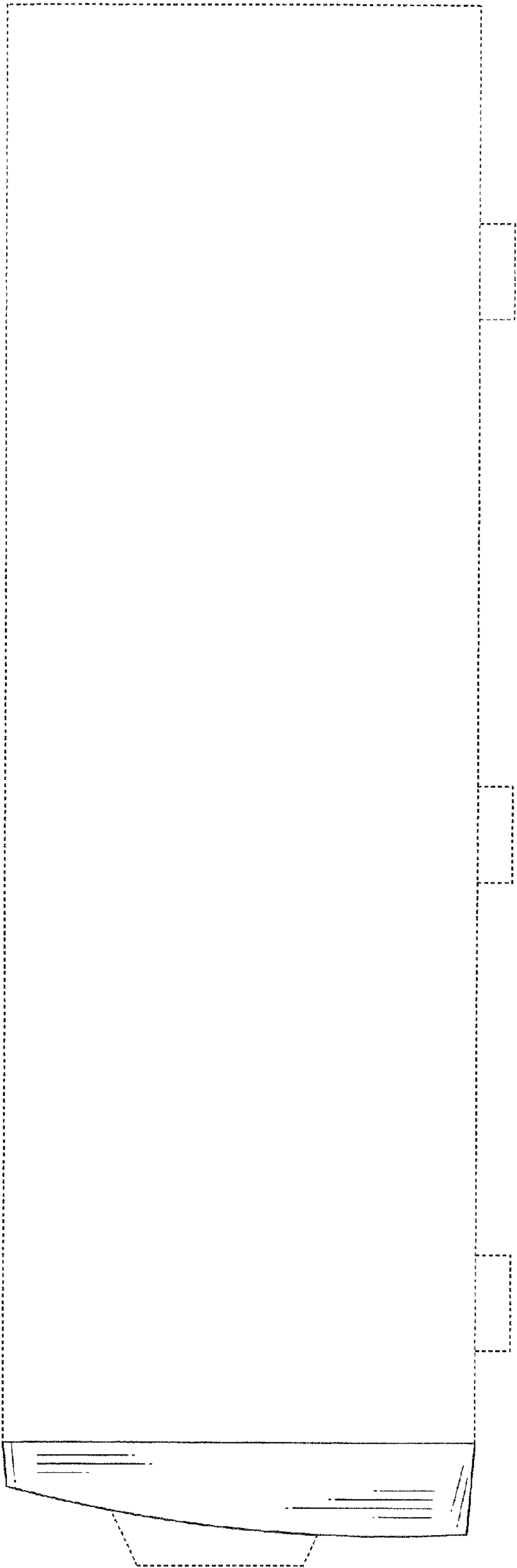


FIG. 6

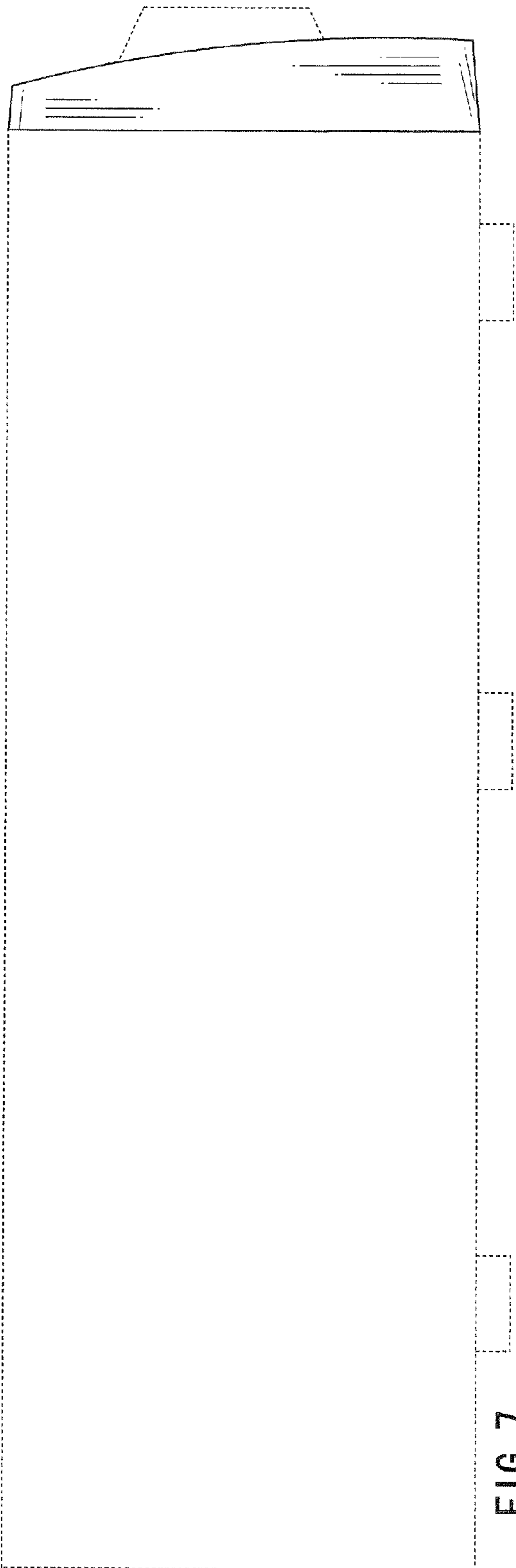


FIG. 7

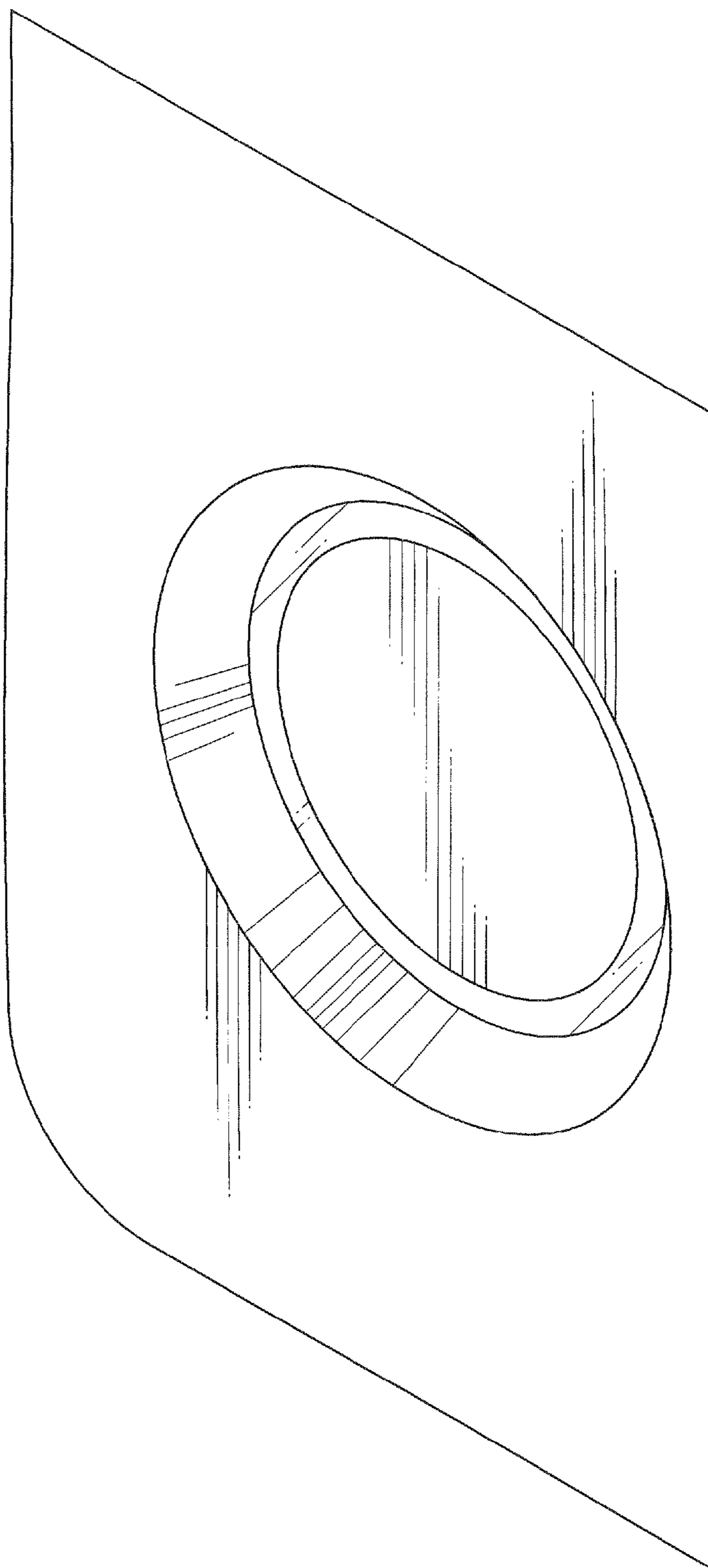


FIG. 8

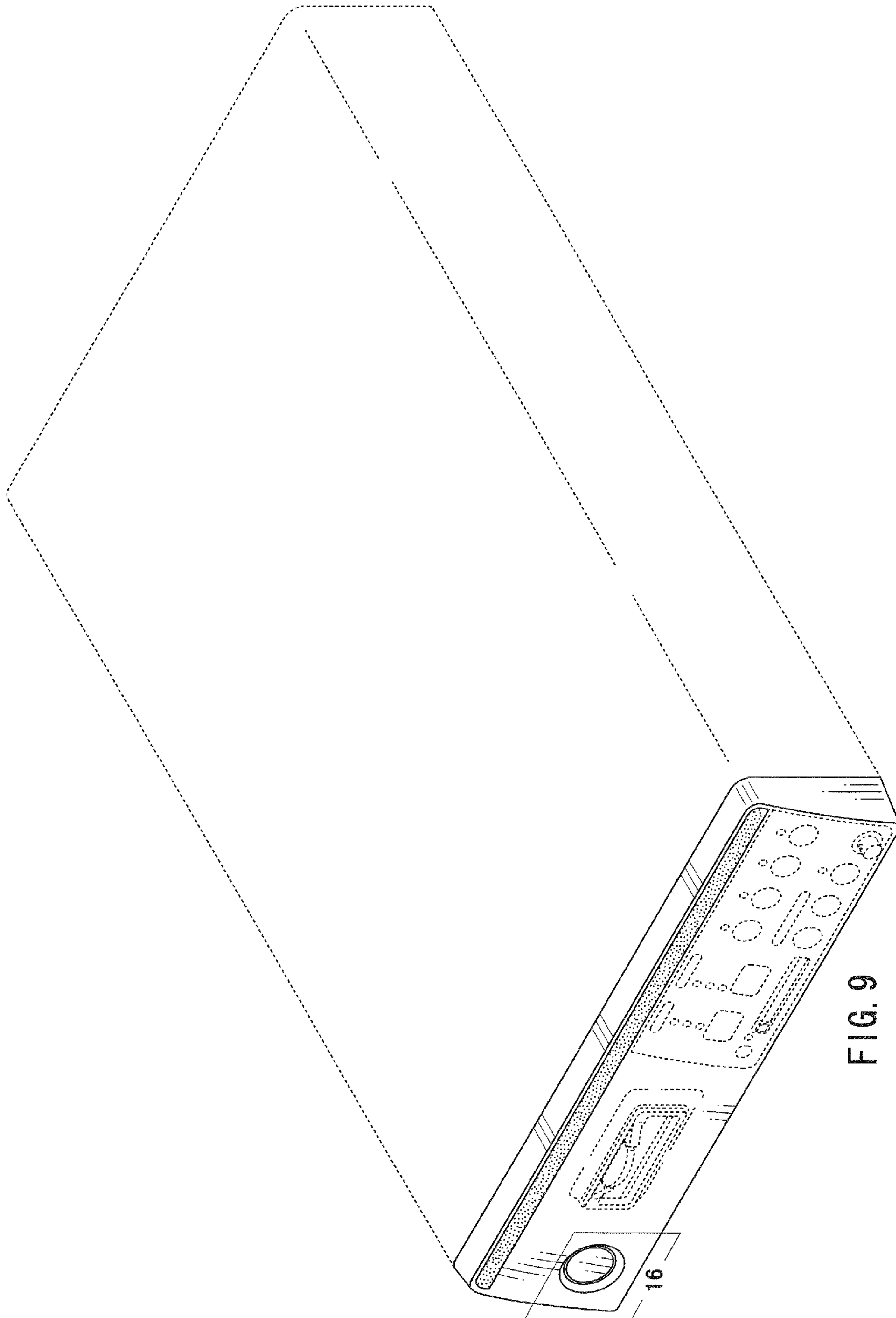


FIG. 9



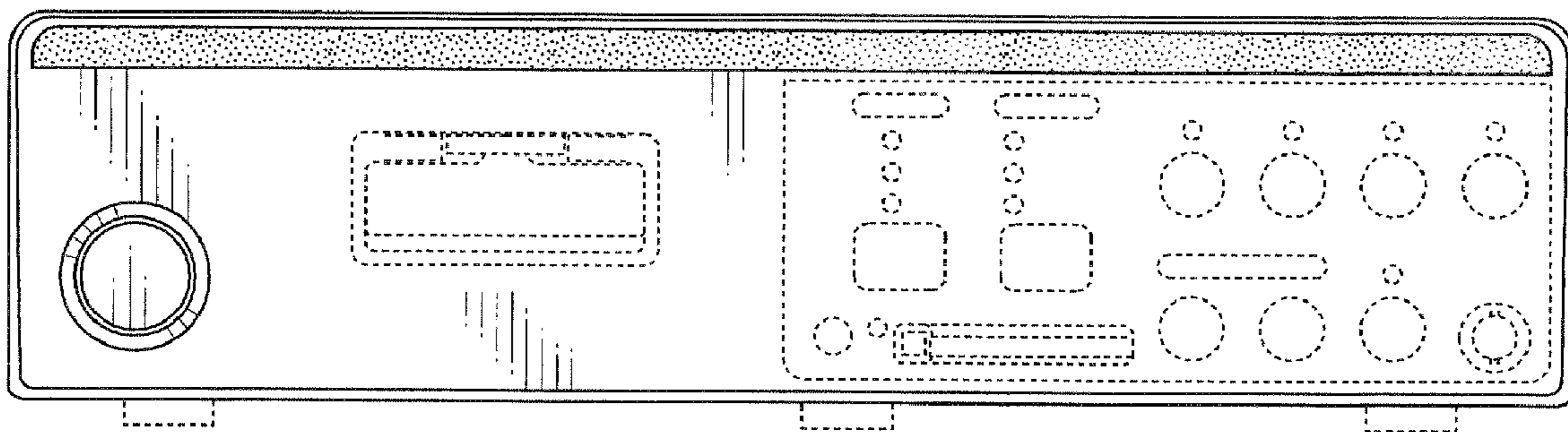


FIG. 10

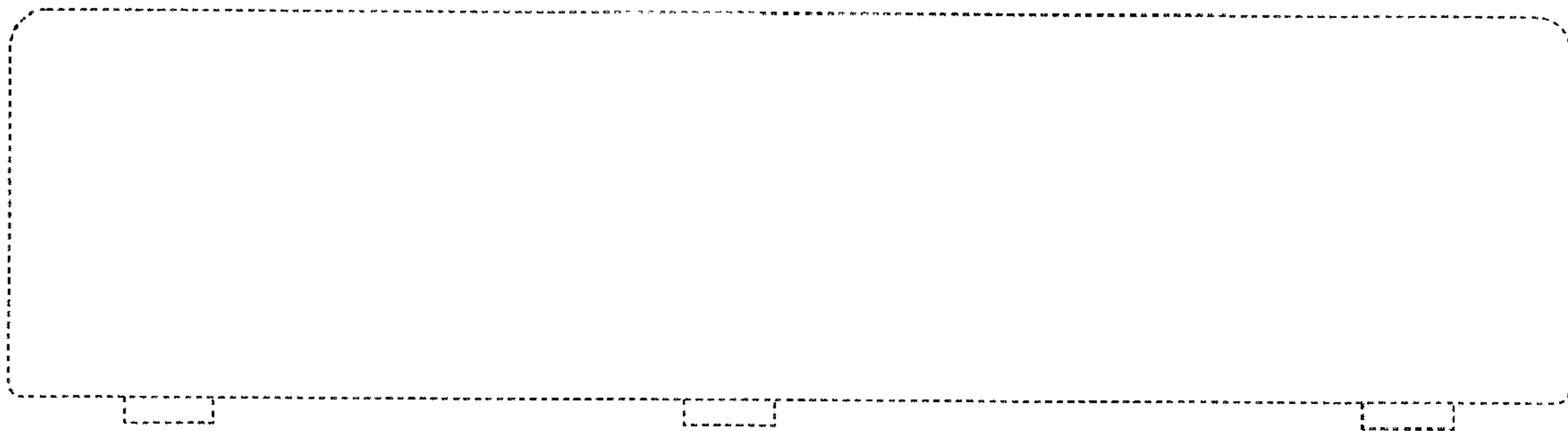


FIG. 11



FIG. 12

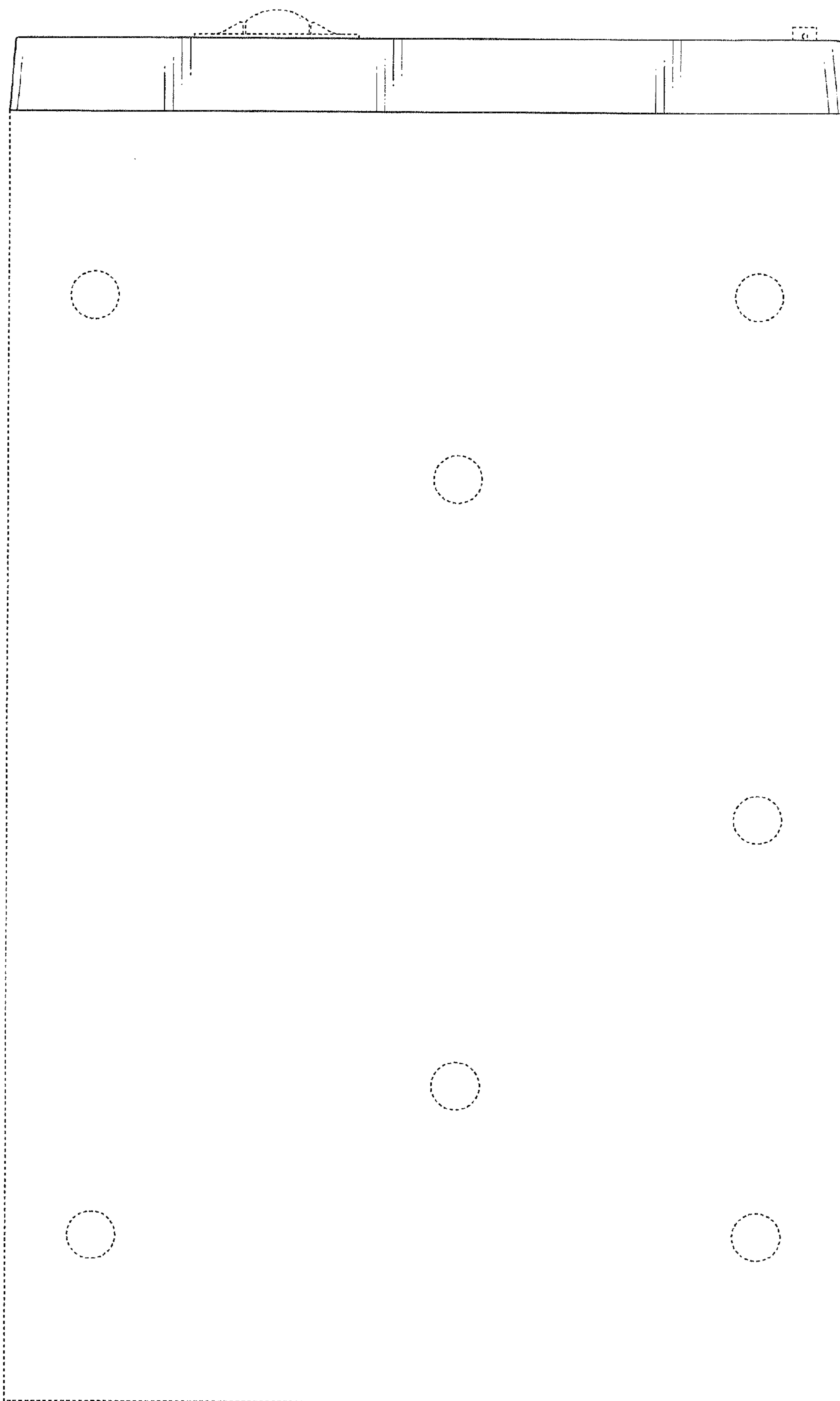


FIG. 13

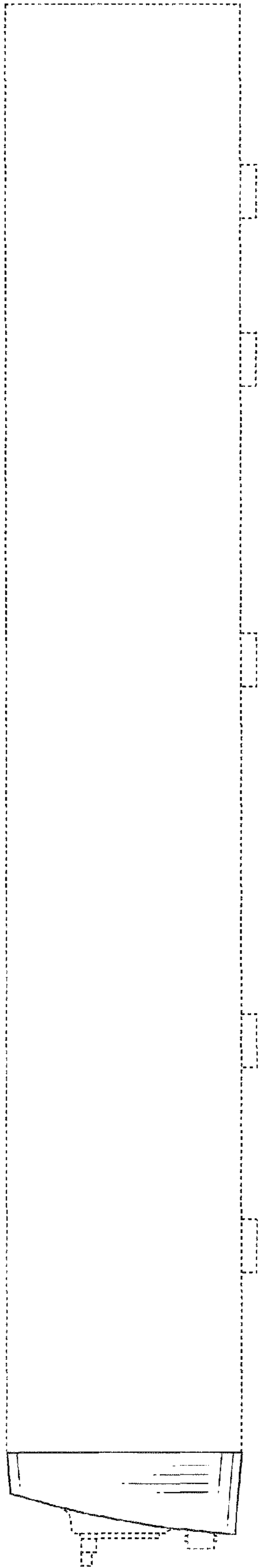


FIG. 14

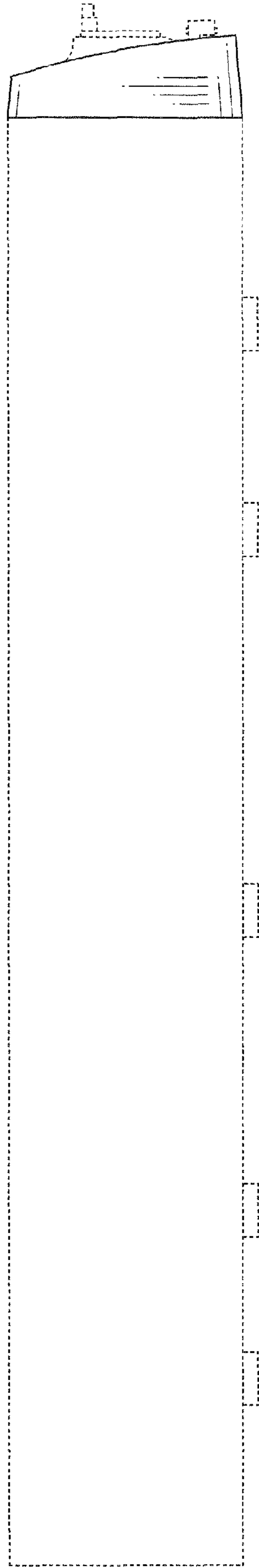


FIG. 15

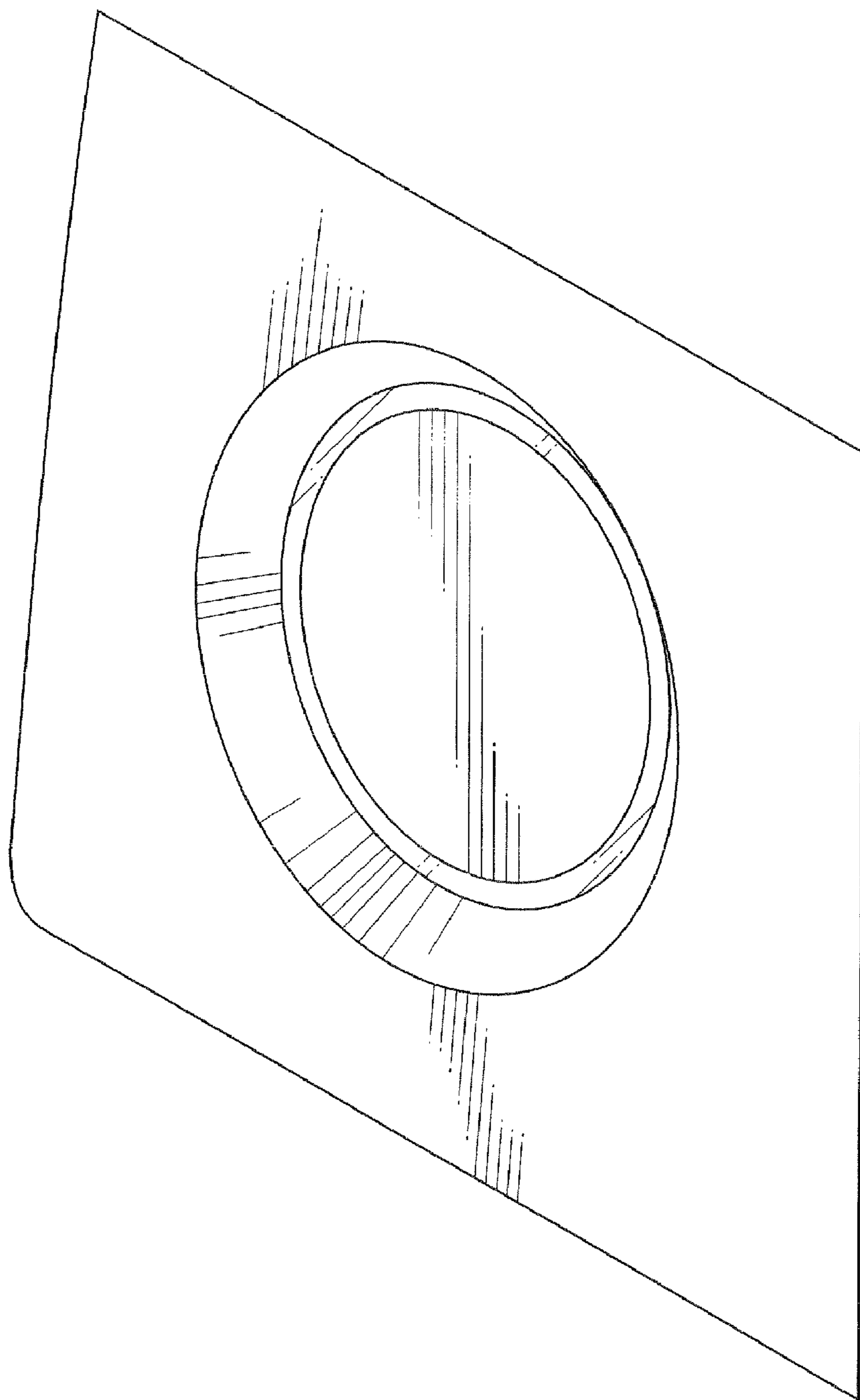


FIG. 16

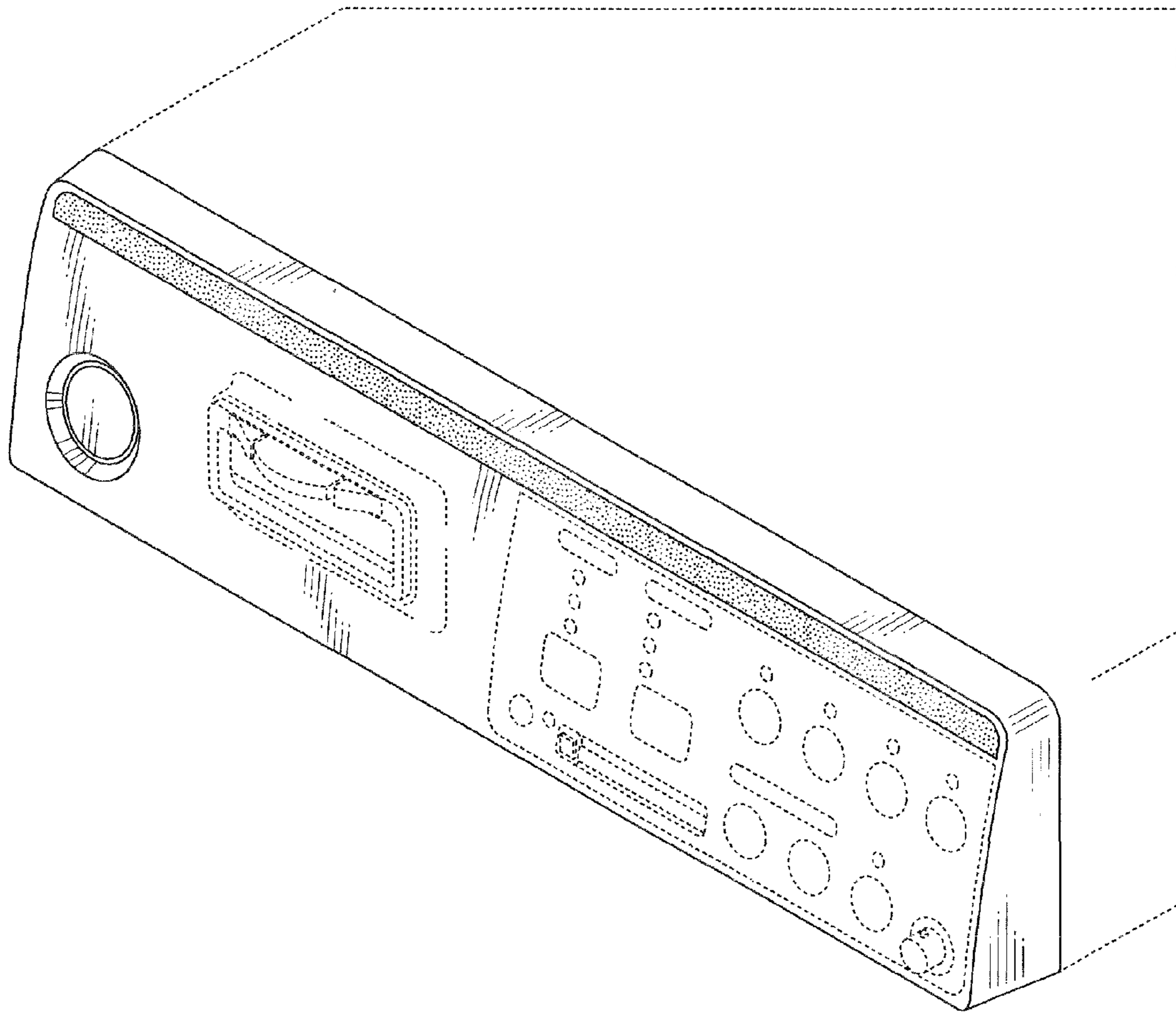


FIG. 17

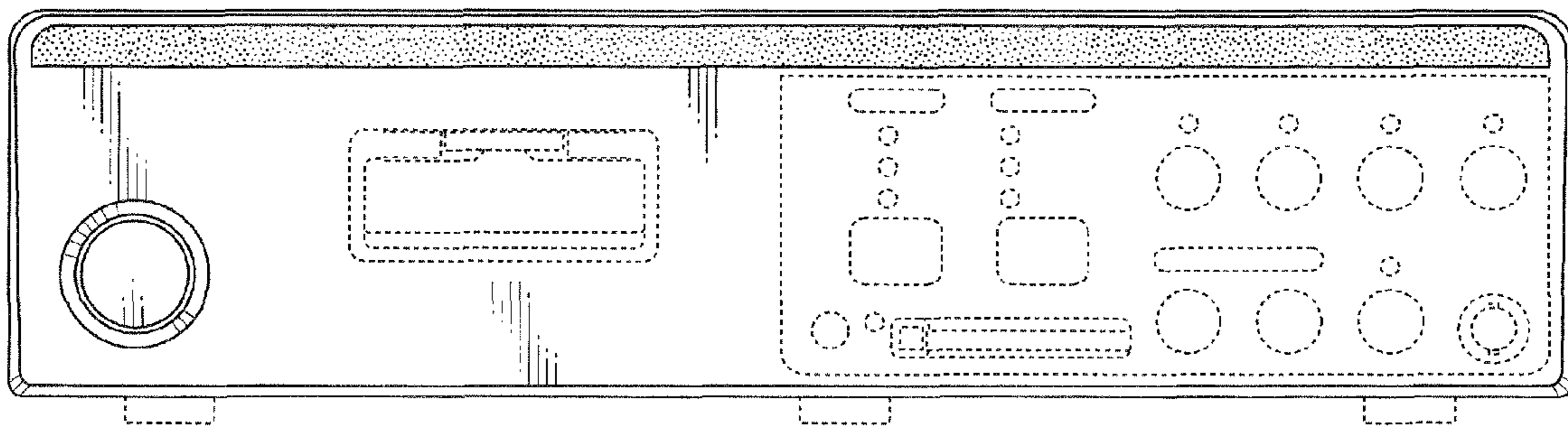


FIG. 18