



US00D626223S

(12) **United States Design Patent**
Bender et al.

(10) **Patent No.:** **US D626,223 S**

(45) **Date of Patent:** **** Oct. 26, 2010**

(54) **TIP PORTION OF A SURGICAL RETRACTOR BLADE**

(75) Inventors: **Nicholas J. Bender**, Lake Hiawatha, NJ (US); **David Barry**, Teaneck, NJ (US); **Oliver Buchert**, Franklin Lakes, NJ (US); **Christopher Meyer**, St. Louis, MO (US)

(73) Assignee: **EBI, LLC**, Parsippany, NJ (US)

(**) Term: **14 Years**

(21) Appl. No.: **29/326,663**

(22) Filed: **Oct. 22, 2008**

(51) **LOC (9) Cl.** **24-02**

(52) **U.S. Cl.** **D24/135**

(58) **Field of Classification Search** D24/133,
D24/135, 140, 147; 600/201, 202, 210, 227,
600/212, 215, 206, 245, 226, 235; 606/160,
606/84

See application file for complete search history.

(56) **References Cited**

U.S. PATENT DOCUMENTS

659,182	A *	10/1900	Pilling	600/226
4,610,243	A *	9/1986	Ray	600/206
5,351,680	A *	10/1994	Jung	600/214
D442,687	S *	5/2001	Schulz	D24/135
D566,471	S *	4/2008	Bodum	D24/135
D575,396	S *	8/2008	Wu	D24/135
D589,145	S *	3/2009	Miller	D24/135
2007/0293729	A1	12/2007	Grey et al.	
2009/0203969	A1	8/2009	Cohen et al.	

* cited by examiner

Primary Examiner—Ian Simmons
Assistant Examiner—Charles D Hanson
(74) *Attorney, Agent, or Firm*—Harness, Dickey

(57) **CLAIM**

The ornamental design for a tip portion of a surgical retractor blade, as shown and described.

DESCRIPTION

FIG. 1 is a perspective view of a tip portion of a surgical retractor blade in accordance with our design.

FIG. 2 is a top view thereof.

FIG. 3 is a left side view thereof, it being understood that the opposite side is a mirror image thereof.

FIG. 4 is bottom view thereof.

FIG. 5 is a rear view thereof.

FIG. 6 is a front view thereof.

FIG. 7 is a perspective view of a tip portion of a surgical retractor blade in accordance with our design, it being understood that the tip is constructed of a translucent material.

FIG. 8 is a top view thereof.

FIG. 9 is a left side view thereof, it being understood that the opposite side is a mirror image thereof.

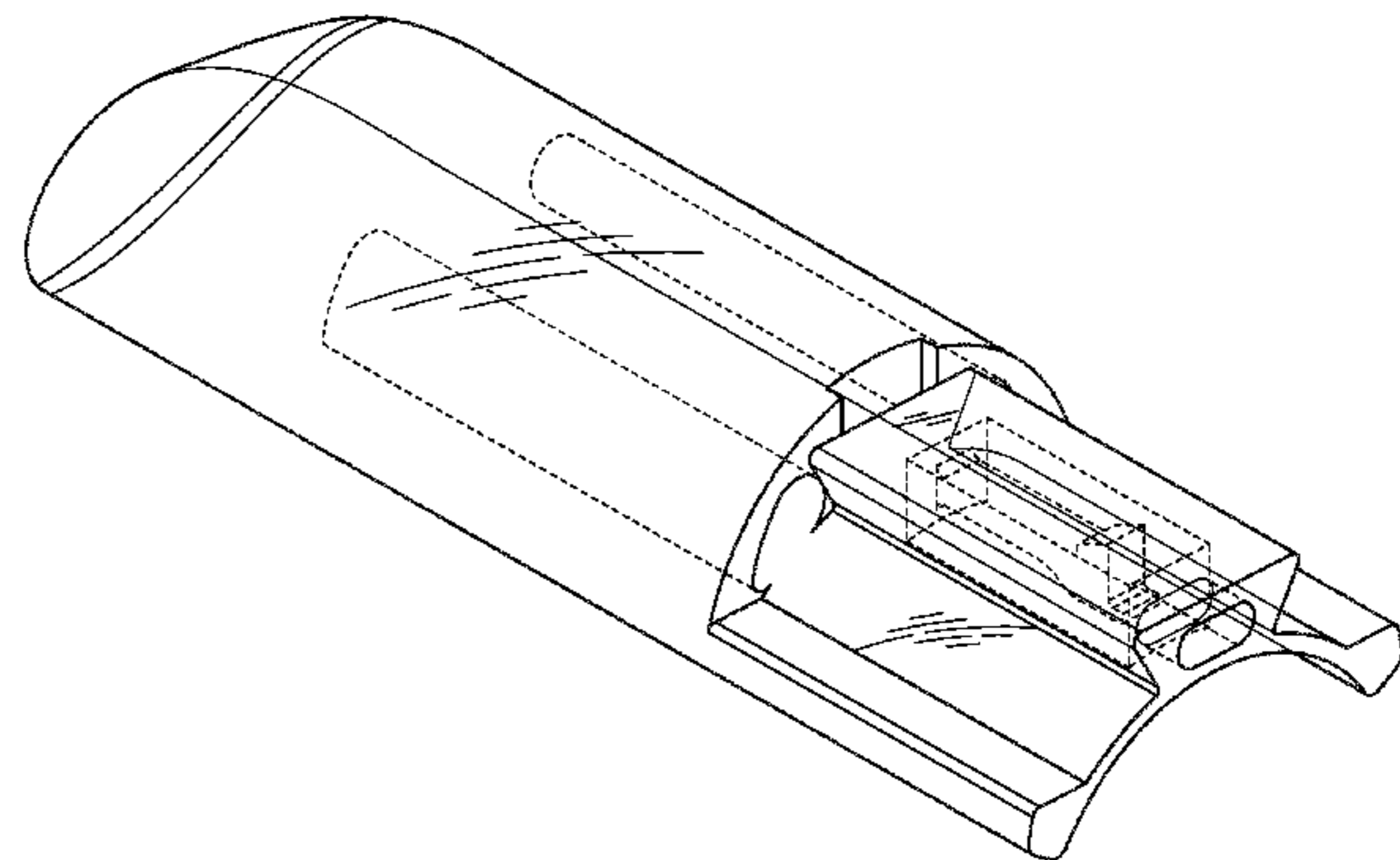
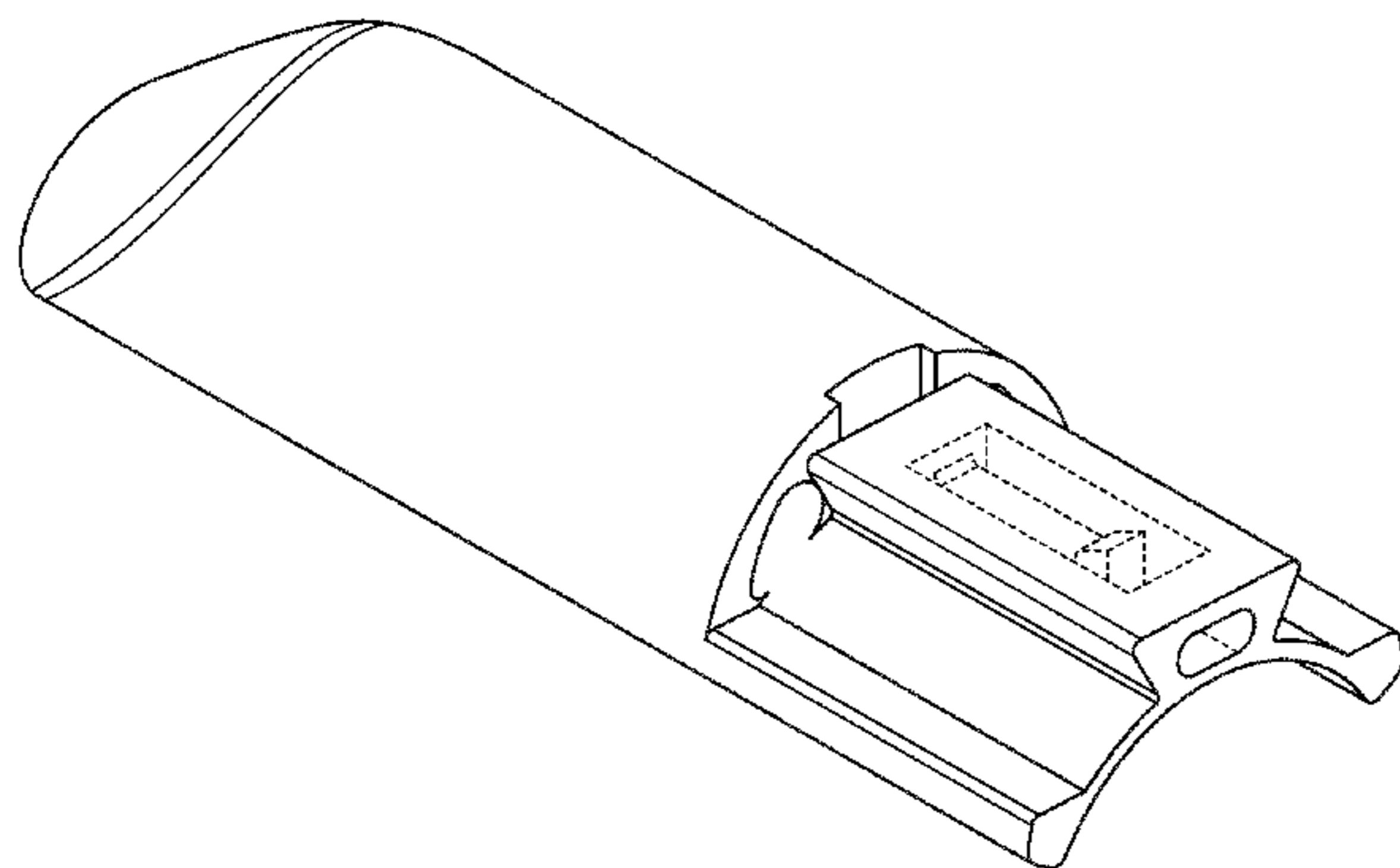
FIG. 10 is bottom view thereof.

FIG. 11 is a rear view thereof; and,

FIG. 12 is a front view thereof.

It being understood that the hidden lines shown throughout the drawings are for illustrative purposes only and form no part of the present invention.

1 Claim, 6 Drawing Sheets



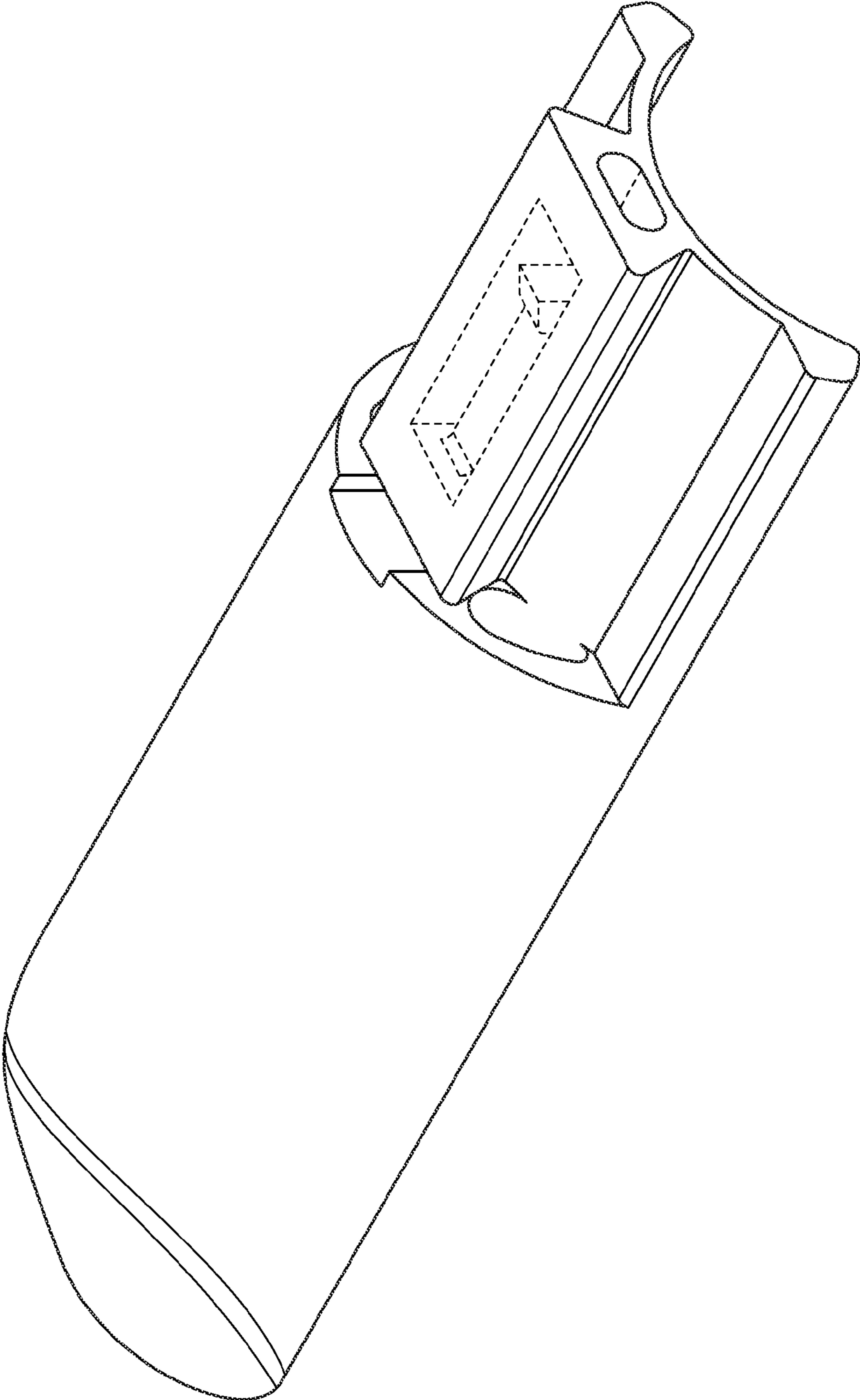


FIG. 1

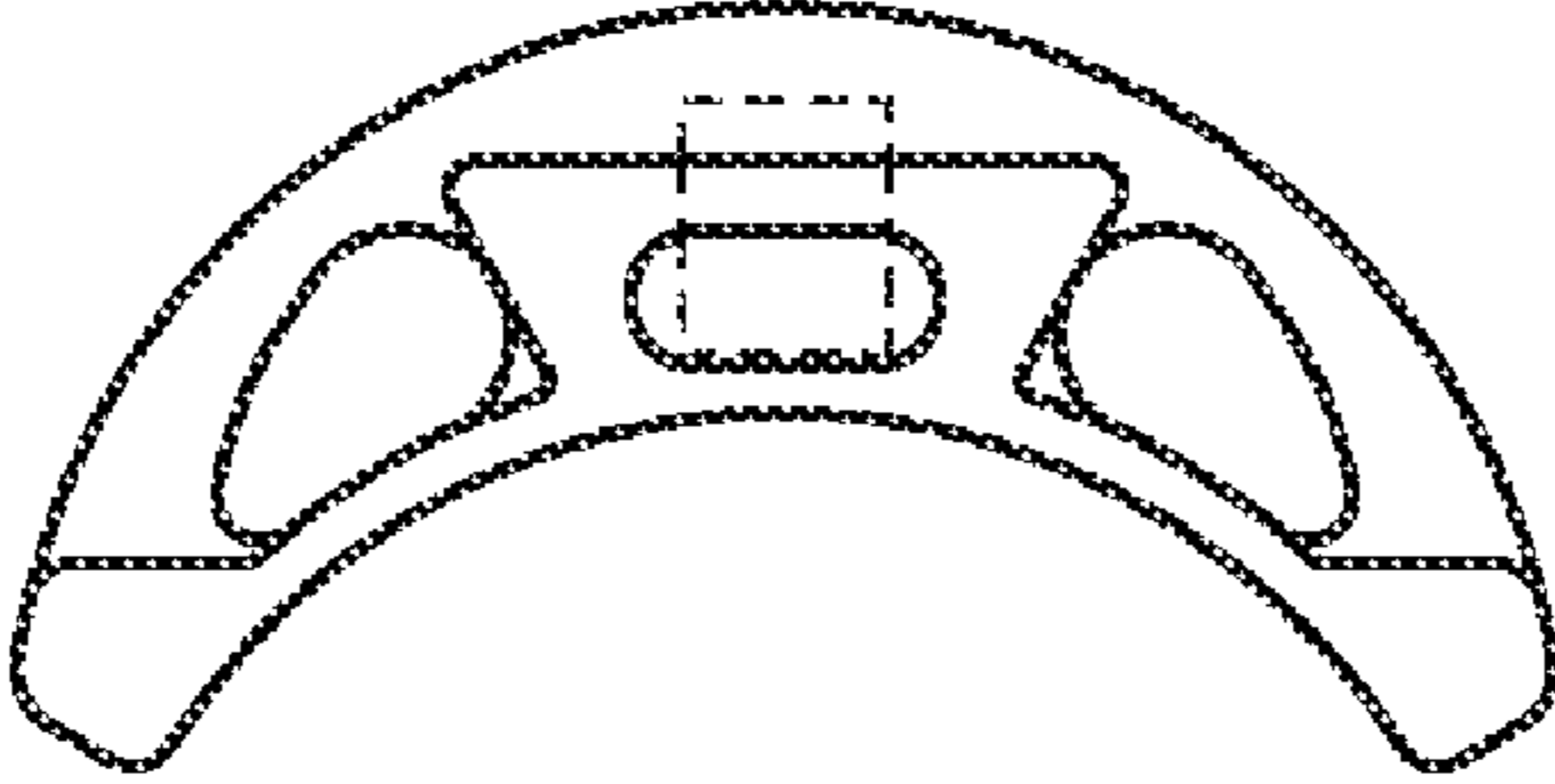


FIG. 2



FIG. 3

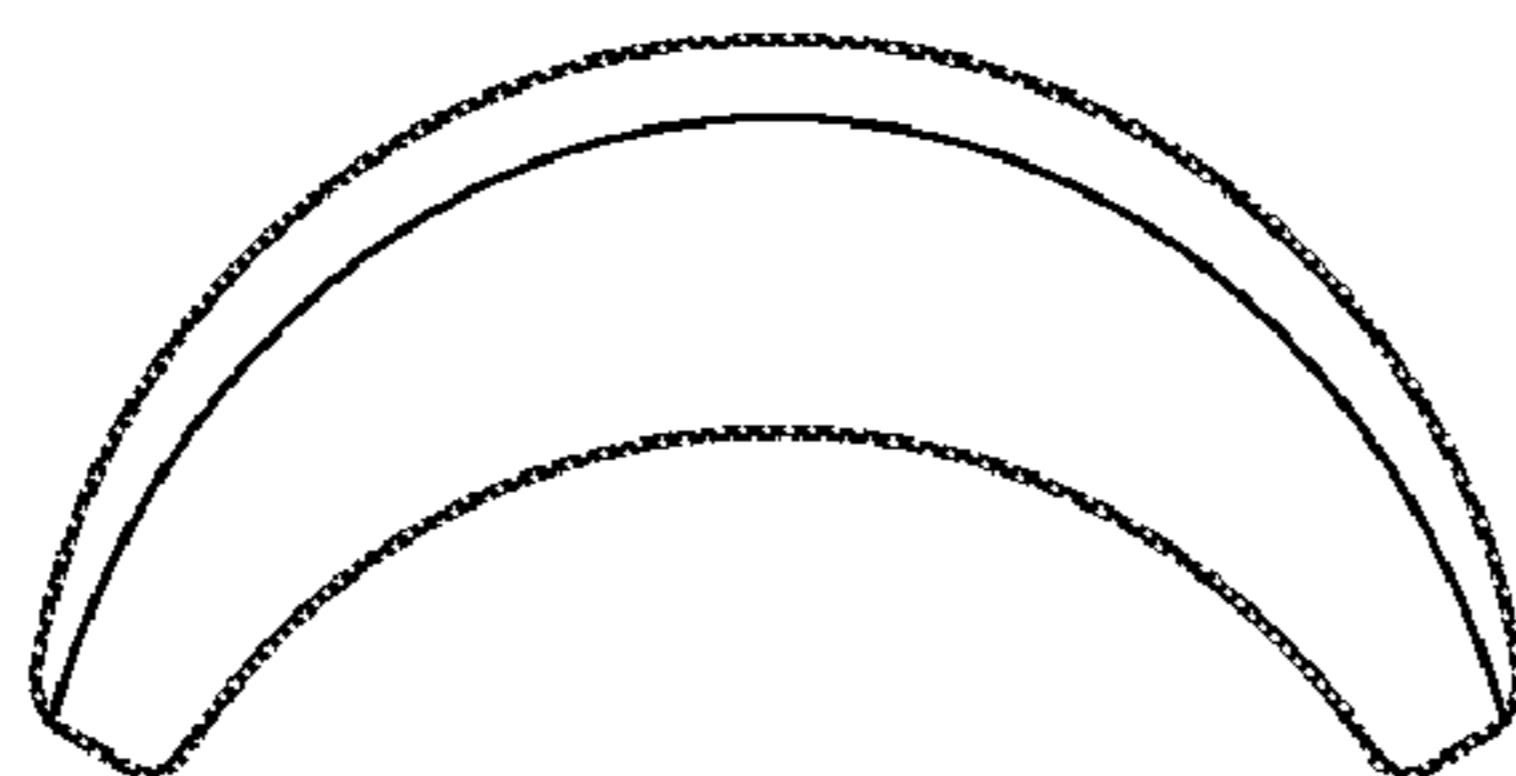


FIG. 4

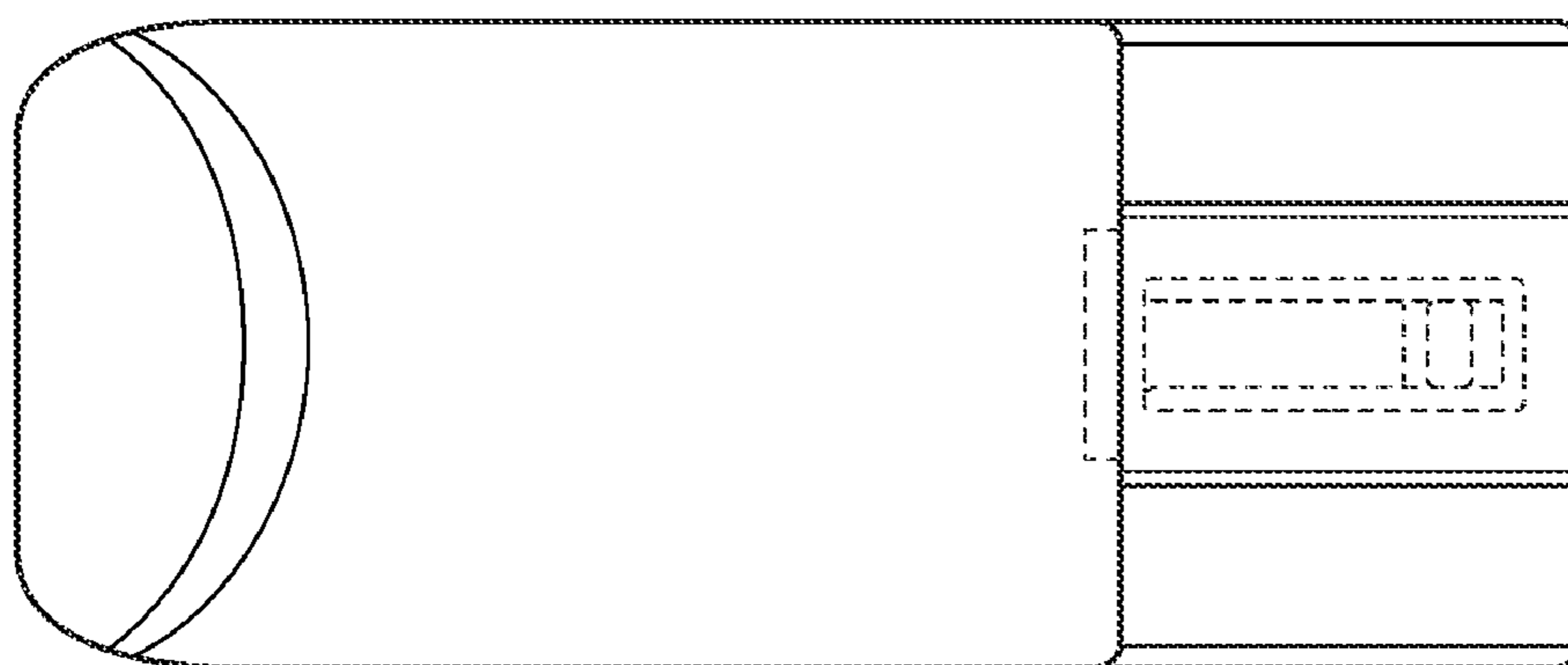


FIG. 5

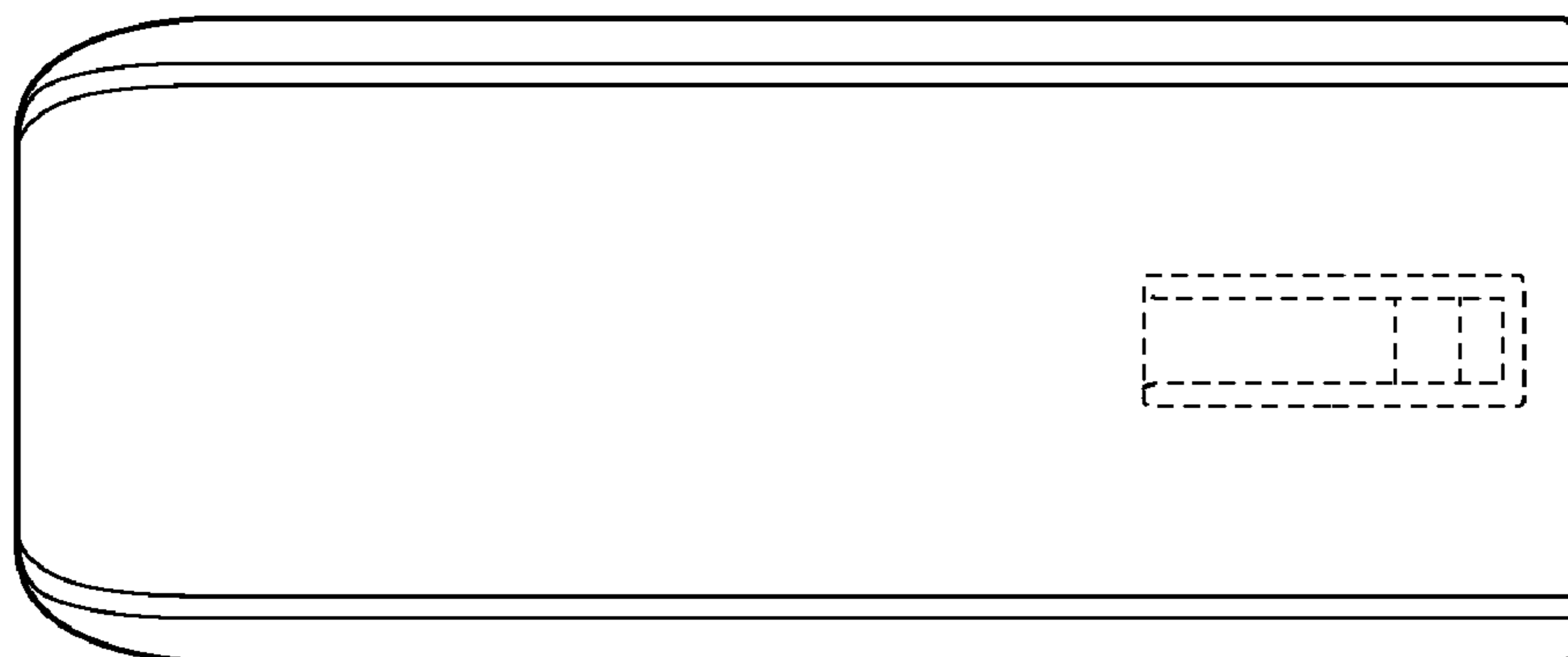


FIG. 6

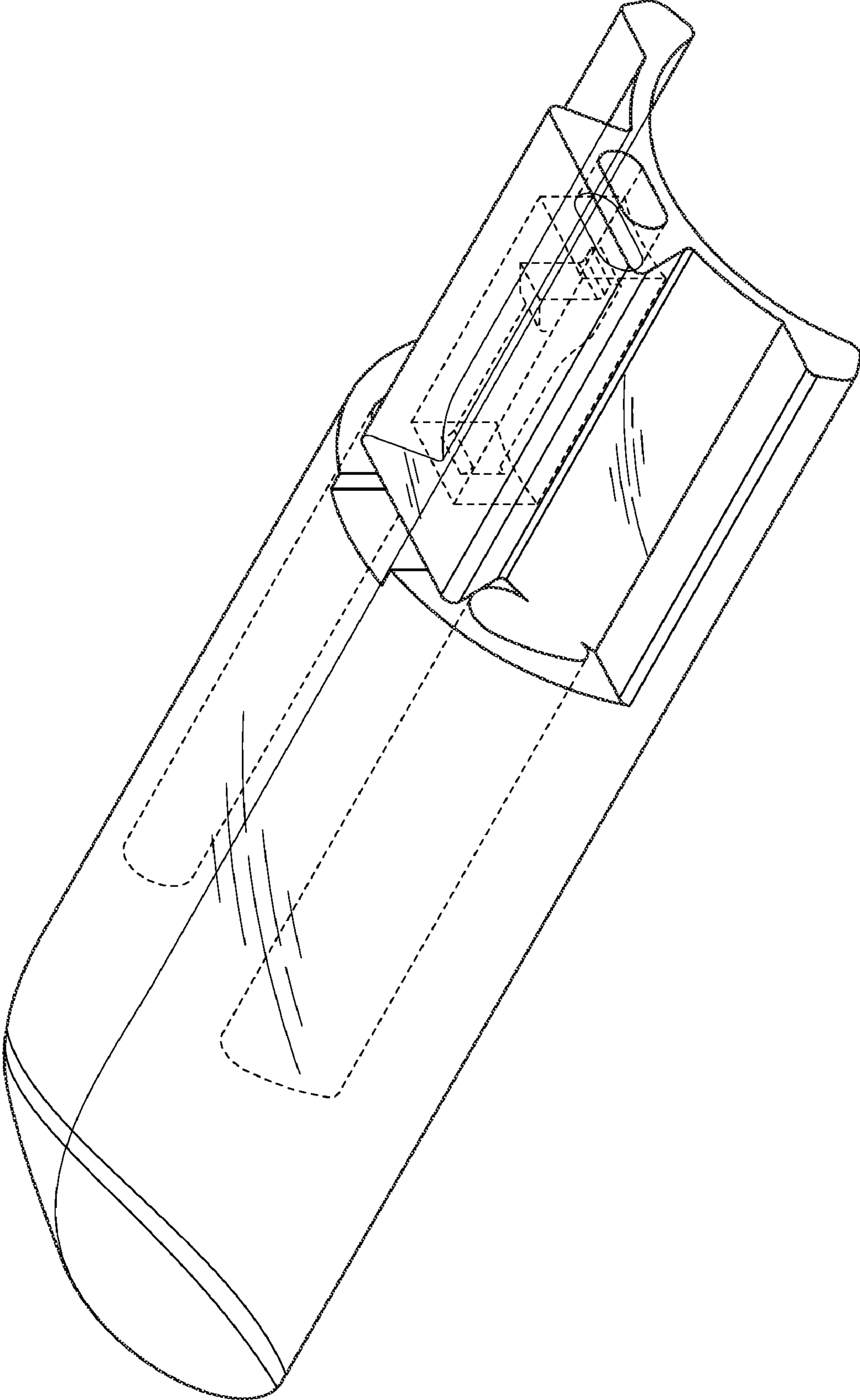


FIG. 7

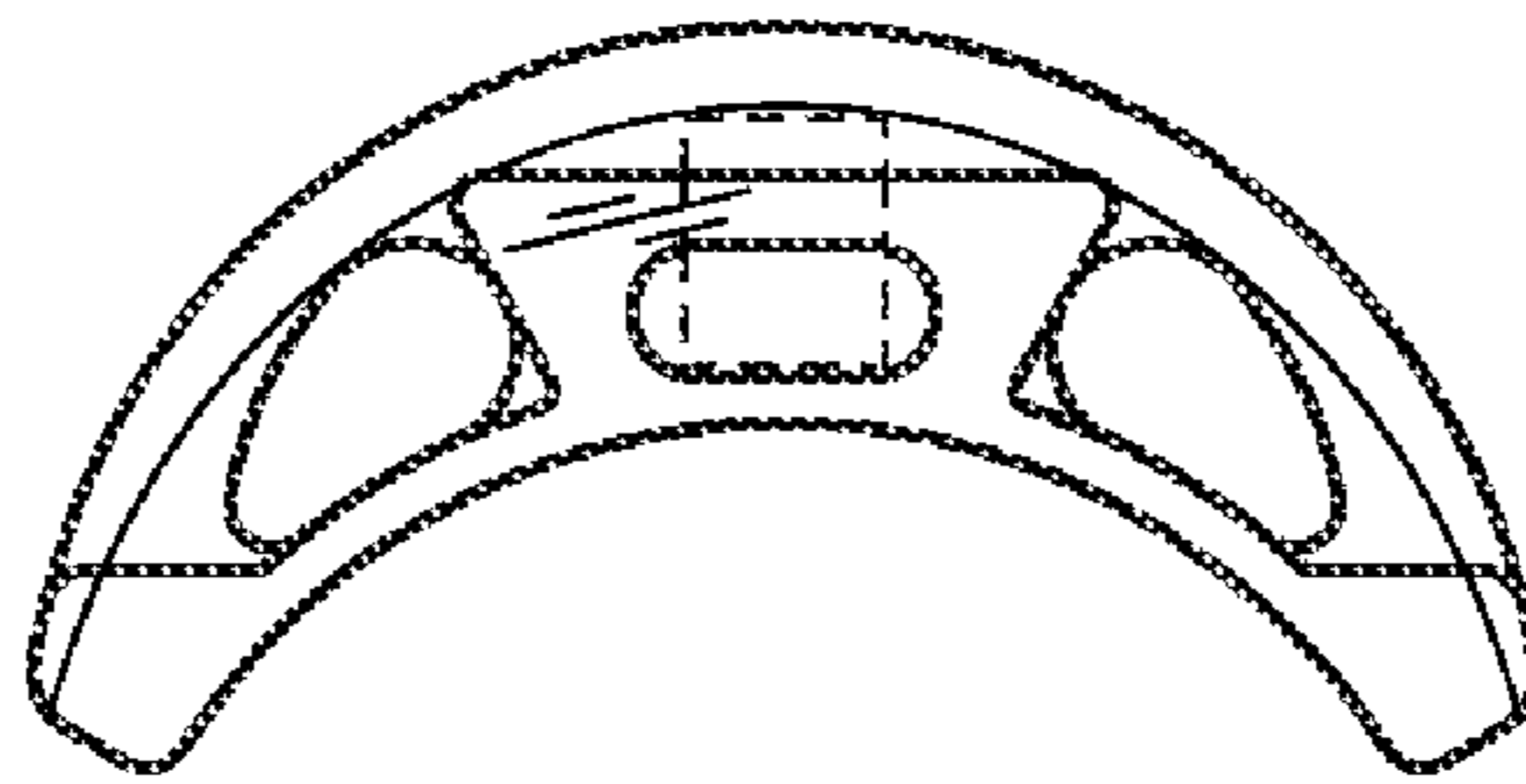


FIG. 8

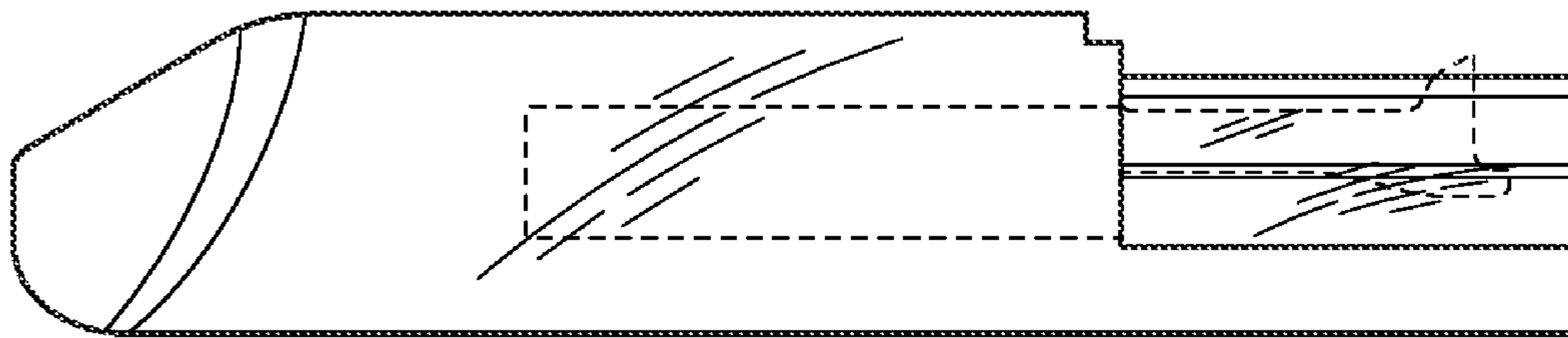


FIG. 9

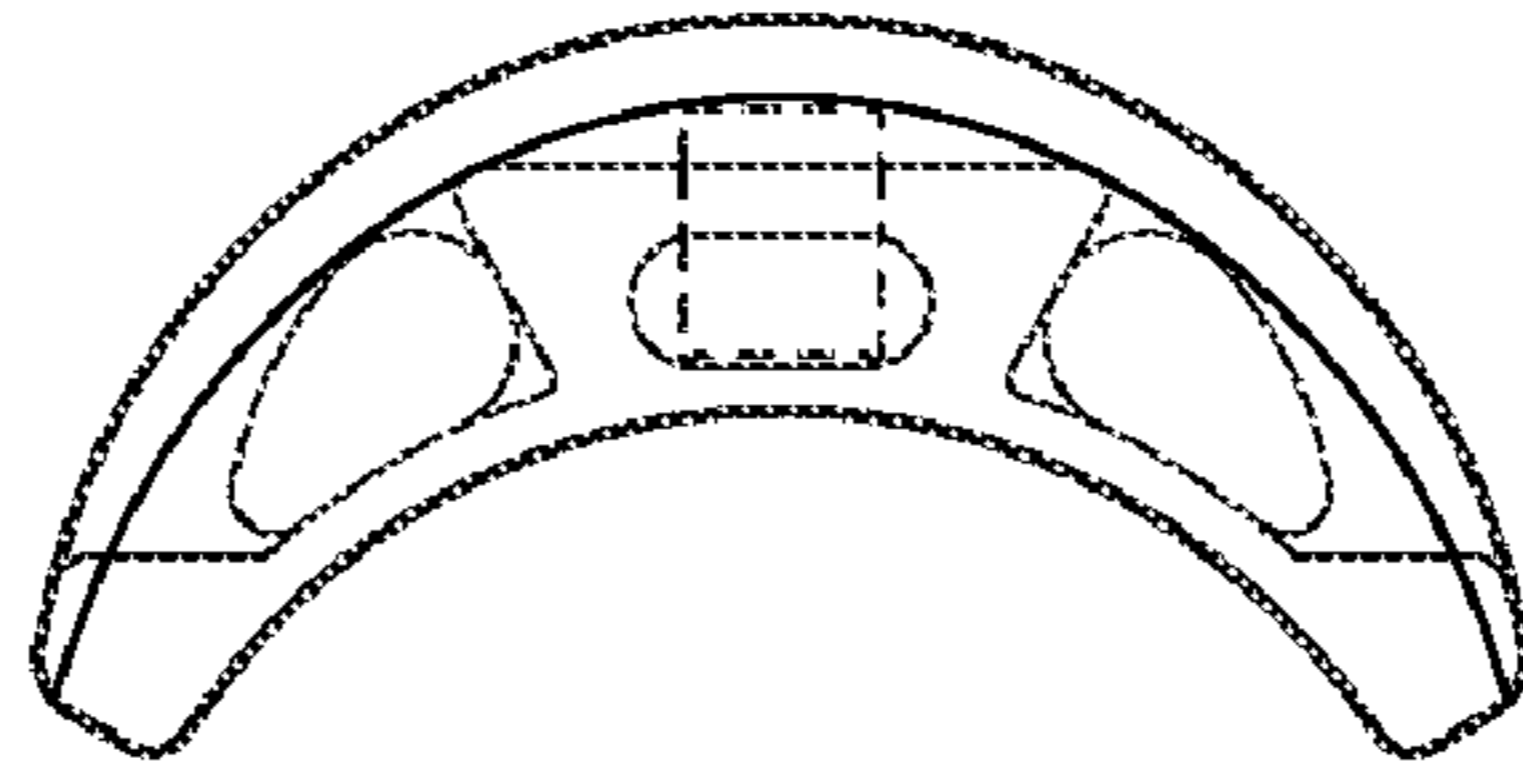


FIG. 10

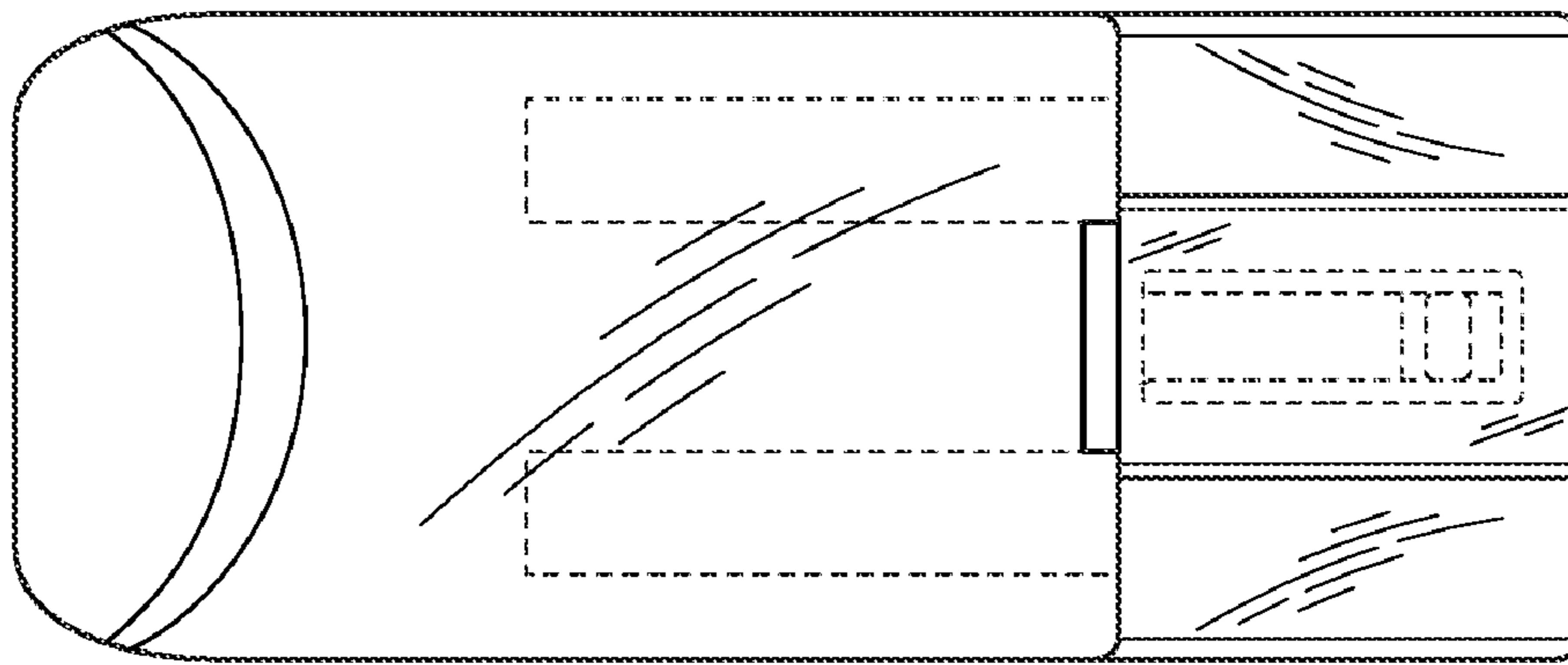


FIG. 11

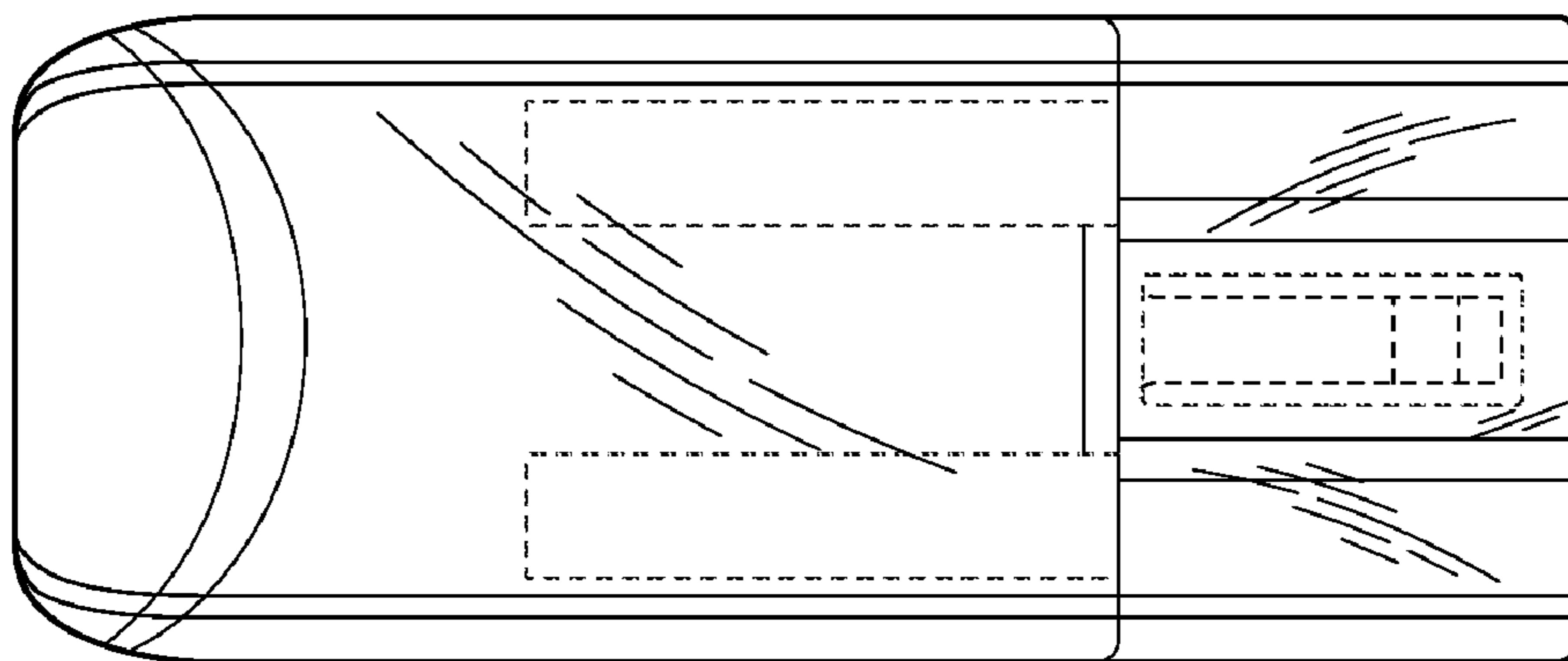


FIG. 12

UNITED STATES PATENT AND TRADEMARK OFFICE
CERTIFICATE OF CORRECTION

PATENT NO. : D626,223 S
APPLICATION NO. : 29/326663
DATED : October 26, 2010
INVENTOR(S) : Nicholas Bender et al.

Page 1 of 1

It is certified that error appears in the above-identified patent and that said Letters Patent is hereby corrected as shown below:

On the Title Page, References Cited, Item (56) US Patent Documents, line 5, "D566,471 S * 4/2008 Bodum" should be --D568,471 S * 5/2008 Engler--.

Title Page, Description, line 6, after "is", insert --a--.

Title Page, Description, line 15, after "is", insert --a--.

Signed and Sealed this
Twenty-second Day of February, 2011

A handwritten signature in black ink that reads "David J. Kappos". The signature is written in a cursive style with a large initial "D" and "K".

David J. Kappos
Director of the United States Patent and Trademark Office