



US00D626222S

(12) **United States Design Patent**
Studene

(10) **Patent No.:** **US D626,222 S**

(45) **Date of Patent:** **** Oct. 26, 2010**

(54) **SURGICAL HANDPIECE**

(75) **Inventor:** **Mark Stephen Studene**, Kenneth City, FL (US)

(73) **Assignee:** **ConMed Corporation**, Utica, NY (US)

(**) **Term:** **14 Years**

(21) **Appl. No.:** **29/351,909**

(22) **Filed:** **Dec. 14, 2009**

(51) **LOC (9) Cl.** **24-02**

(52) **U.S. Cl.** **D24/133**

(58) **Field of Classification Search** D24/133, D24/134, 135, 136, 137, 138, 139, 140, 141, D24/142, 143, 146, 150, 152, 171, 144, 145, D24/147, 148, 149, 151, 153, 154, 127, 128, D24/129, 130, 106-108, 112, 111, 200; D23/40, D23/47, 57, 60, 67, 68, 69, 80, 82, 83, 84, D23/93, 94, 97, 107; D8/72, 73, 74; 600/184, 600/201-203, 210-218, 220-223, 224, 225-227; 606/7, 86 A, 86 B, 119

See application file for complete search history.

(56) **References Cited**

U.S. PATENT DOCUMENTS

D215,905 S *	11/1969	Hotchkiss	D24/138
D300,851 S *	4/1989	Grieshaber	D24/133
D339,512 S *	9/1993	Collins	D8/107
D370,974 S *	6/1996	Barresi et al.	D24/111
D375,789 S *	11/1996	Bryant et al.	D24/112
D380,544 S *	7/1997	Sandock	D24/108
D380,658 S *	7/1997	Bruno et al.	D8/61
D383,049 S *	9/1997	Concari et al.	D8/107
D387,863 S *	12/1997	Herman et al.	D24/133
D403,946 S *	1/1999	Shih	D8/107
D436,828 S *	1/2001	Benktzon et al.	D8/107
D436,829 S *	1/2001	Benktzon et al.	D8/107

D449,212 S *	10/2001	Price et al.	D8/107
D457,628 S *	5/2002	Eggers et al.	D24/144
D457,960 S *	5/2002	Eggers et al.	D24/144
D466,388 S *	12/2002	Chemtob	D8/107
D507,469 S *	7/2005	Prokop	D8/107
D542,620 S *	5/2007	Thompson et al.	D8/107
7,284,936 B1 *	10/2007	Rinner	408/240
7,328,071 B1 *	2/2008	Stehr et al.	607/131
D585,987 S *	2/2009	Aparici et al.	D24/133
D614,472 S *	4/2010	Meyers et al.	D8/107
2004/0215190 A1 *	10/2004	Nguyen et al.	606/61
2005/0033294 A1 *	2/2005	Garden et al.	606/61
2005/0033299 A1 *	2/2005	Shluzas	606/61
2008/0319290 A1 *	12/2008	Mao et al.	600/323

* cited by examiner

Primary Examiner—Bridget L Eland

(74) *Attorney, Agent, or Firm*—Timothy D Evans

(57) **CLAIM**

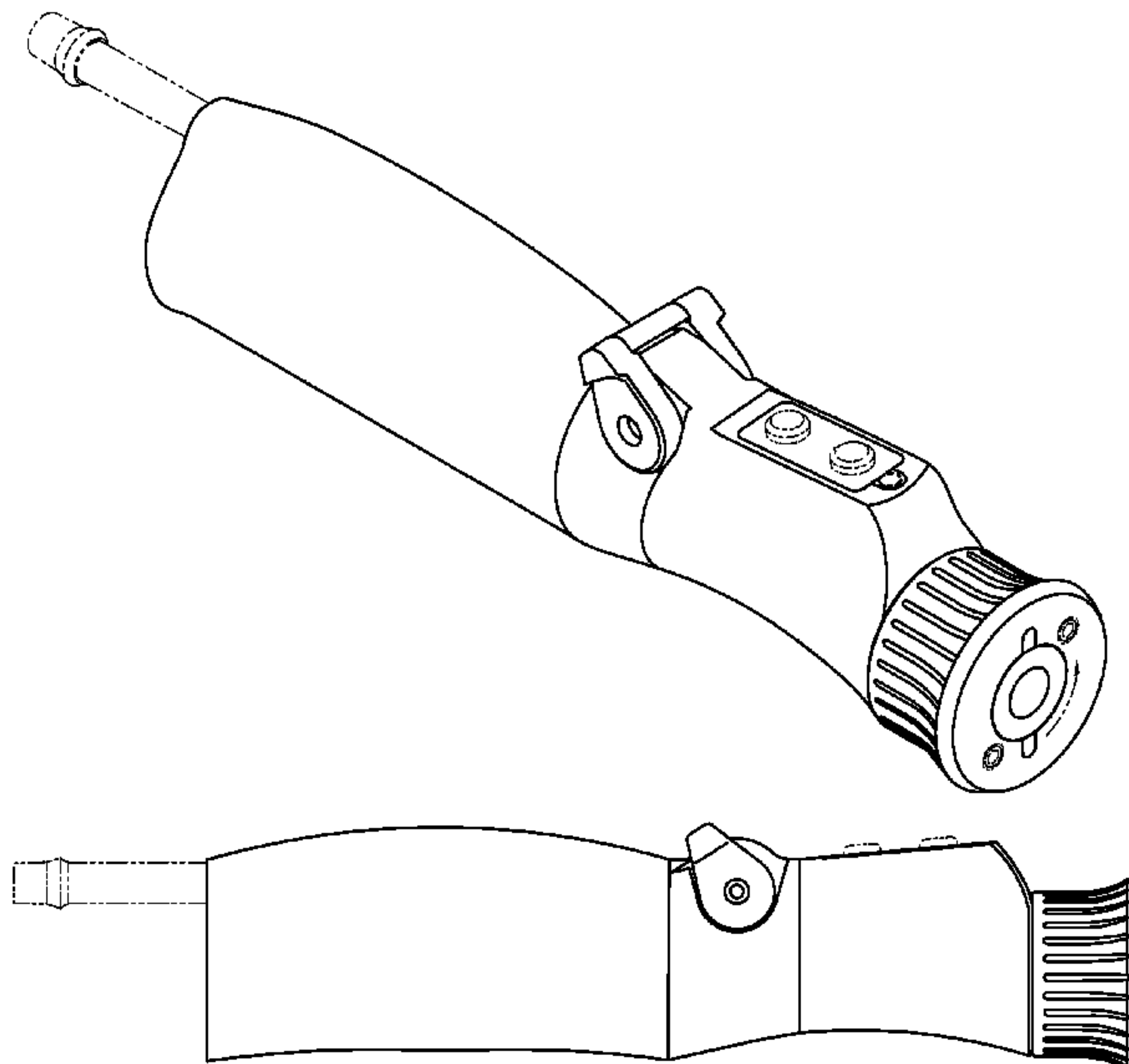
The ornamental design for a surgical handpiece, as shown and described.

DESCRIPTION

FIG. 1 is a top front perspective view of a surgical handpiece; FIG. 2 is a left side elevational view thereof; FIG. 3 is a right side elevational view thereof; FIG. 4 is a top plan view thereof; and FIG. 5 is a bottom plan view thereof. FIG. 6 is a front elevational view thereof; and, FIG. 7 is a rear elevational view thereof.

The outermost broken lines depicting the circles in FIGS. 1, 4, 6 and 7 represent the bounds of the claimed design while all other broken lines, including the arrow in FIGS. 1 and 6, are directed to environment and are for illustrative purposes only; the broken lines form no part of the claimed design.

1 Claim, 4 Drawing Sheets



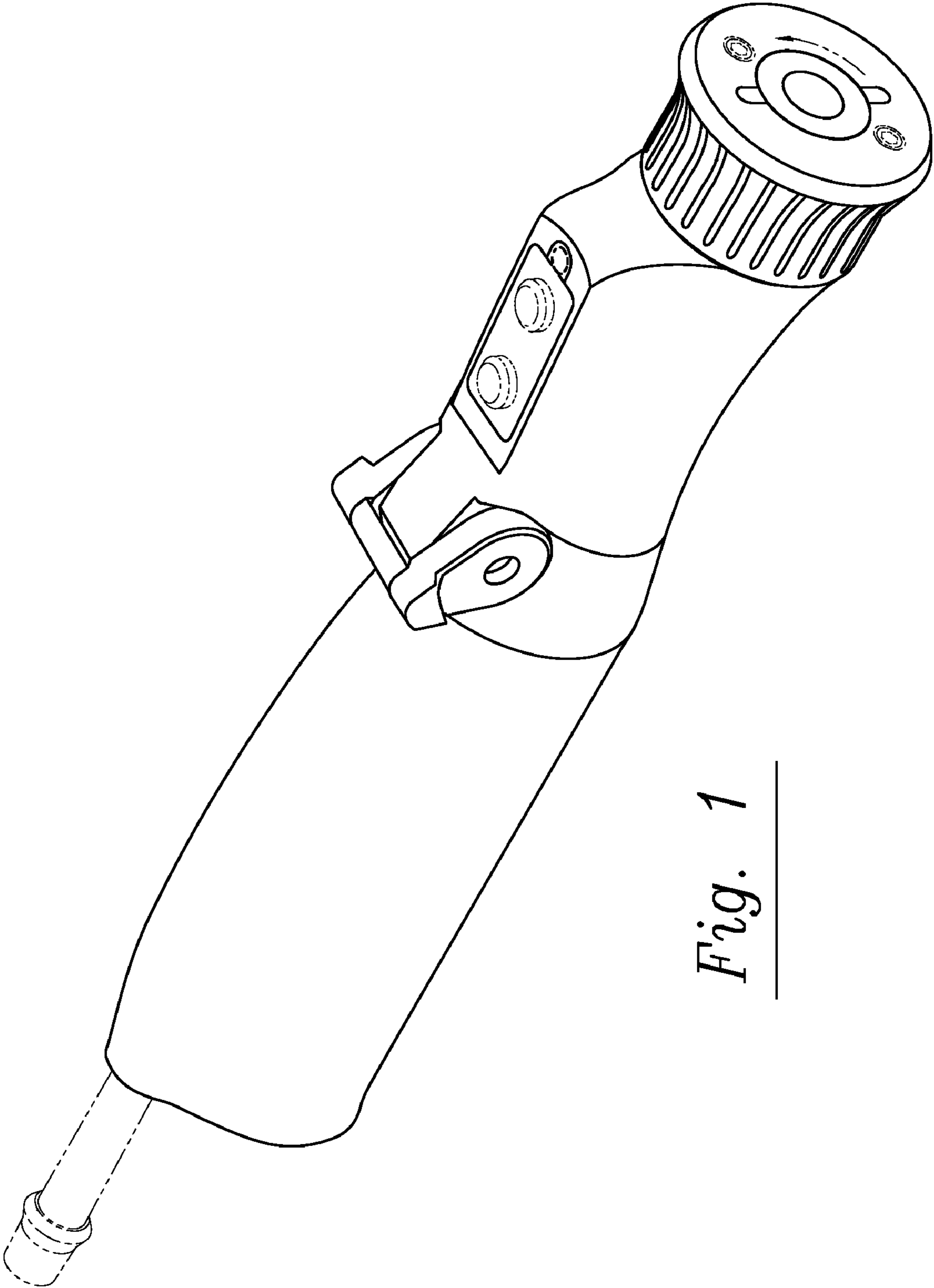


Fig. 1

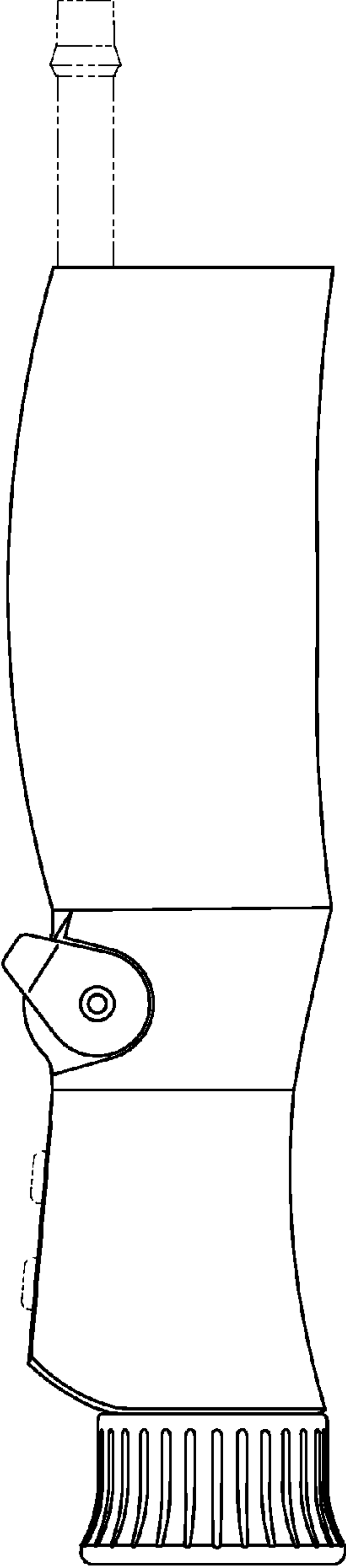


Fig. 2

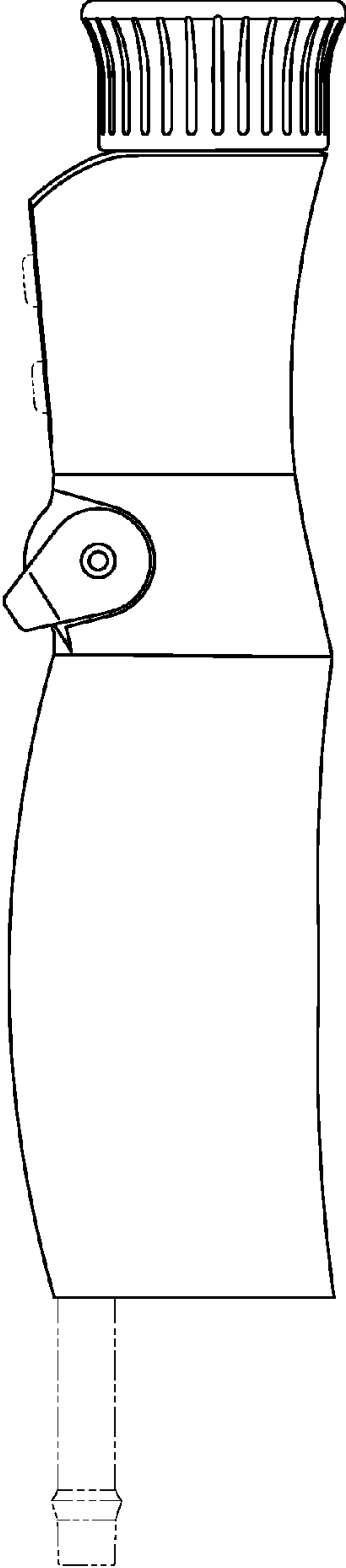


Fig. 3

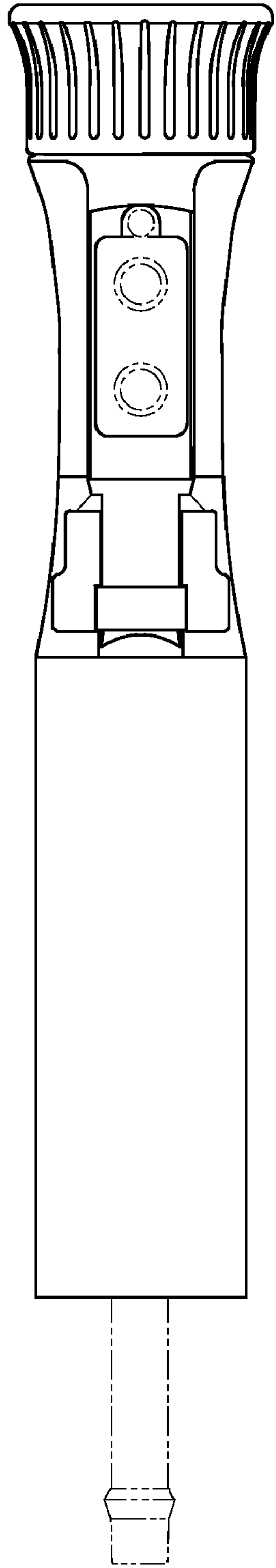


Fig. 4

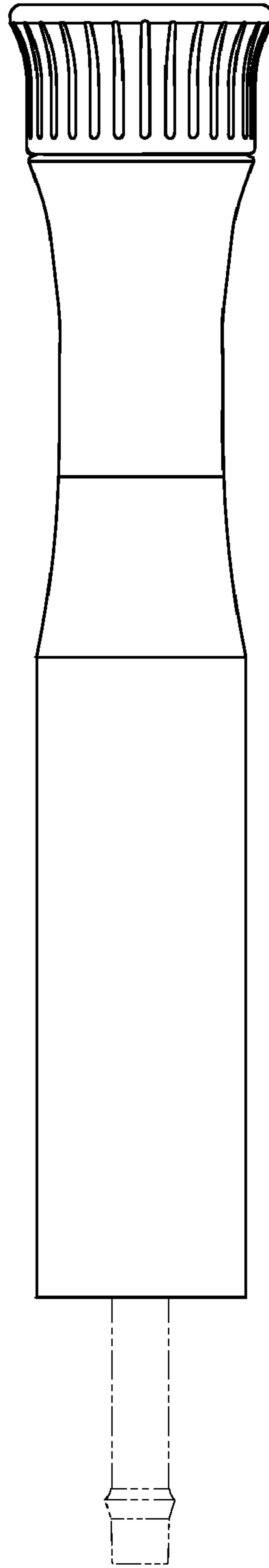


Fig. 5

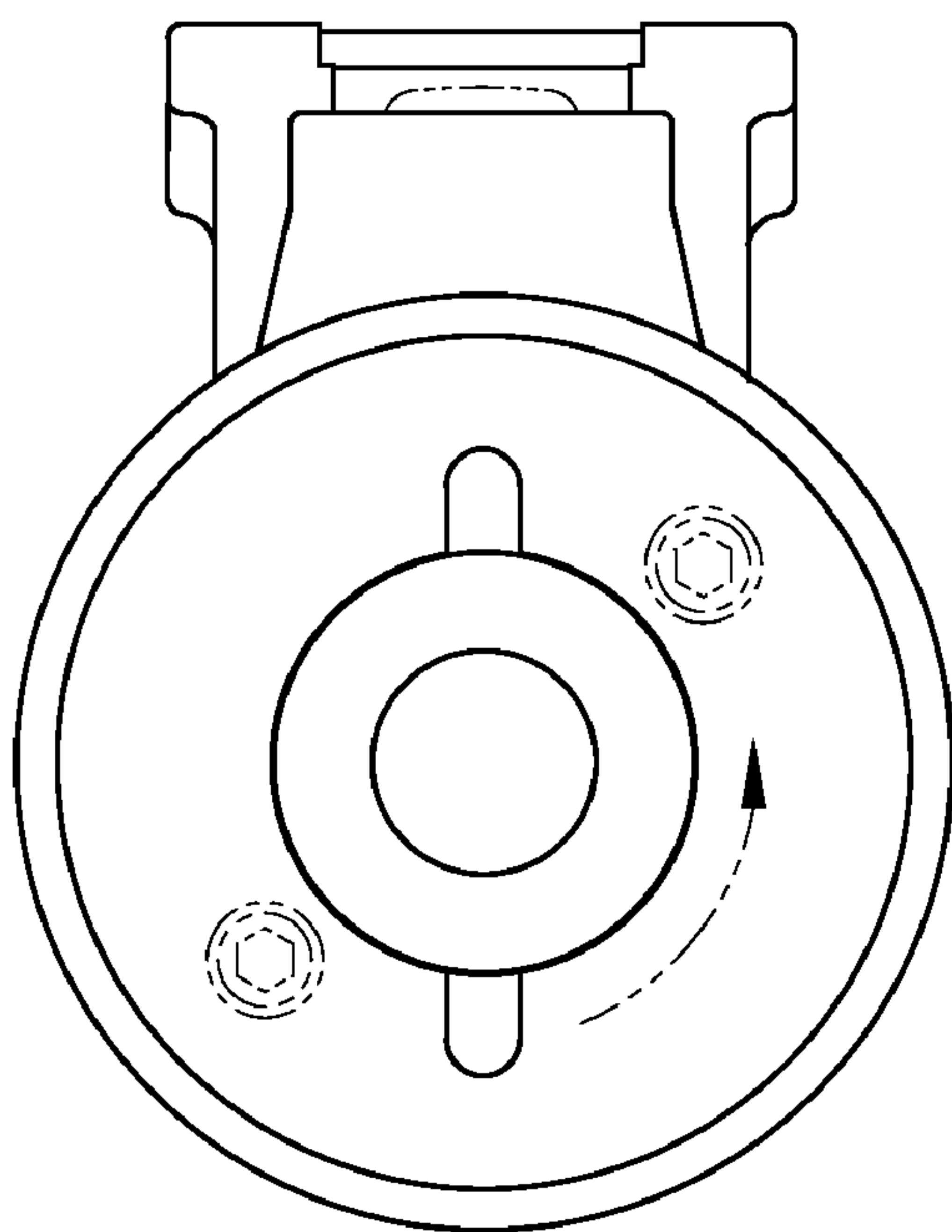


Fig. 6

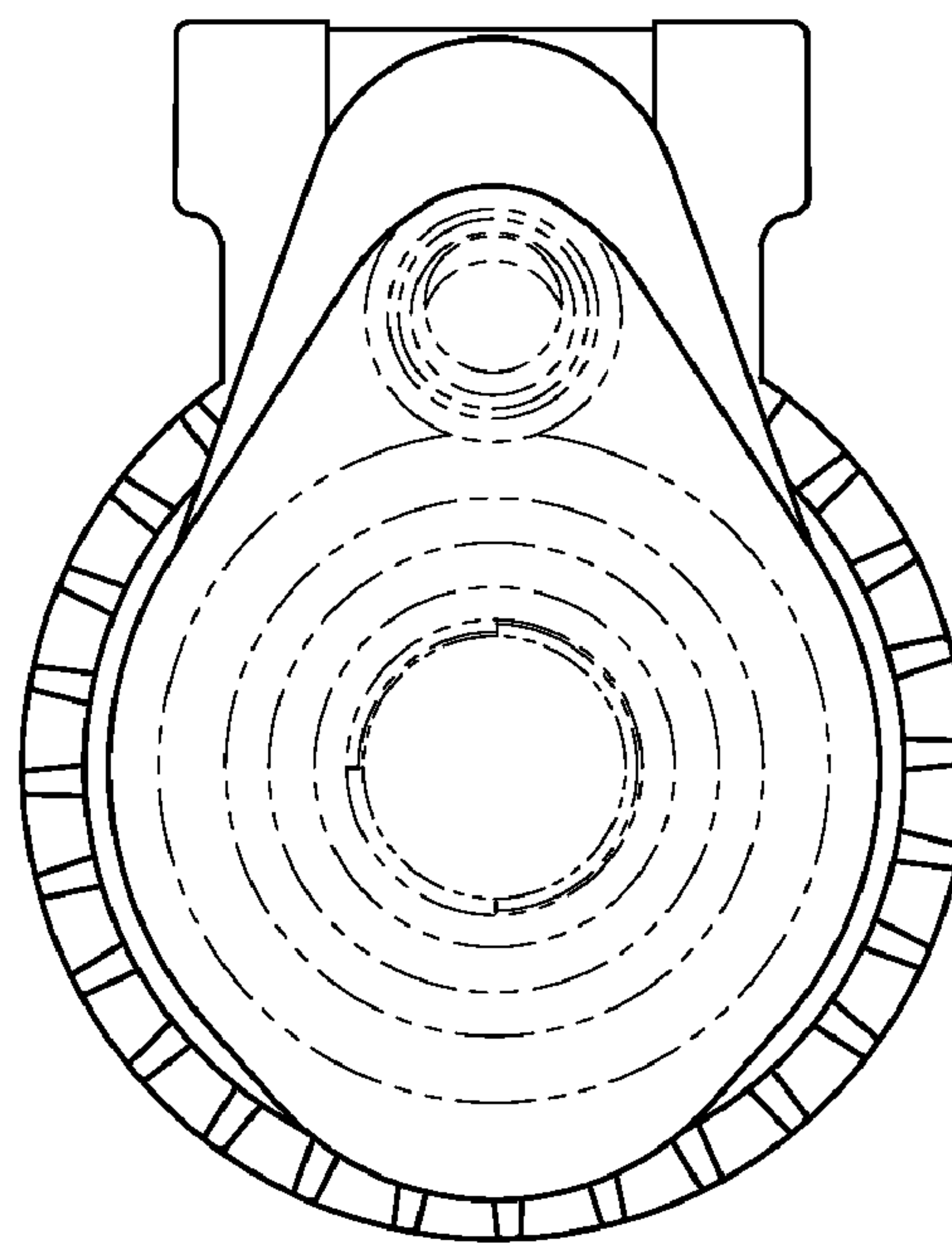


Fig. 7