



US00D626221S

(12) **United States Design Patent**
Lillas et al.

(10) **Patent No.:** **US D626,221 S**

(45) **Date of Patent:** **** Oct. 26, 2010**

(54) **FASTENING DEVICE**

(75) Inventors: **Peter Warwick Lillas**, Sandared (SE);
Sven Johansson, Boras (SE)

(73) Assignees: **Flexwise AB**, Sandared (SE); **Svema
Industrietechnik AB**, Boras (SE)

(**) Term: **14 Years**

(21) Appl. No.: **29/311,781**

(22) Filed: **Jun. 18, 2009**

(30) **Foreign Application Priority Data**

Dec. 22, 2008 (EM) 001063143-0001

(51) **LOC (9) Cl.** **24-02**

(52) **U.S. Cl.** **D24/128**

(58) **Field of Classification Search** D24/127-131;
D6/411; 248/129, 170, 121, 125.8

See application file for complete search history.

(56) **References Cited**

U.S. PATENT DOCUMENTS

D287,055	S *	12/1986	Fick et al.	D24/128
D339,195	S *	9/1993	Nash et al.	D24/128
6,619,599	B2 *	9/2003	Elliott et al.	248/125.8
6,663,596	B2 *	12/2003	Griego et al.	604/164.02
7,624,953	B2 *	12/2009	Silverman et al.	248/125.1
2002/0104934	A1 *	8/2002	Elliott et al.	248/126
2007/0023587	A1 *	2/2007	Eggleston et al.	248/98
2007/0267550	A1 *	11/2007	Blankenship et al.	248/125.8
2009/0020659	A1 *	1/2009	Crous	248/125.8

* cited by examiner

Primary Examiner—T. Chase Nelson

Assistant Examiner—Eric L Goodman

(74) *Attorney, Agent, or Firm*—Nixon & Vanderhye, P.C.

(57) **CLAIM**

The ornamental design for a “fastening device,” as shown and described.

DESCRIPTION

FIG. 1 is front elevation view of fastening device in accordance with a first exemplary embodiment, shown in an extended position, with the fastening device elements arranged in a longitudinal or parallel orientation;

FIG. 2 is a left side elevation view thereof;

FIG. 3 is a right side elevation view thereof;

FIG. 4 is a top plan view thereof;

FIG. 5 is a bottom plan view thereof;

FIG. 6 is a rear elevation view thereof;

FIG. 7 is a lower left perspective view thereof;

FIG. 8 is a front elevation of a fastening device in accordance with a second exemplary embodiment, also shown in an extended position but with the fastening device elements rotated to a transverse or perpendicular orientation;

FIG. 9 is a left side elevation view thereof;;

FIG. 10 is a right side elevation view thereof;

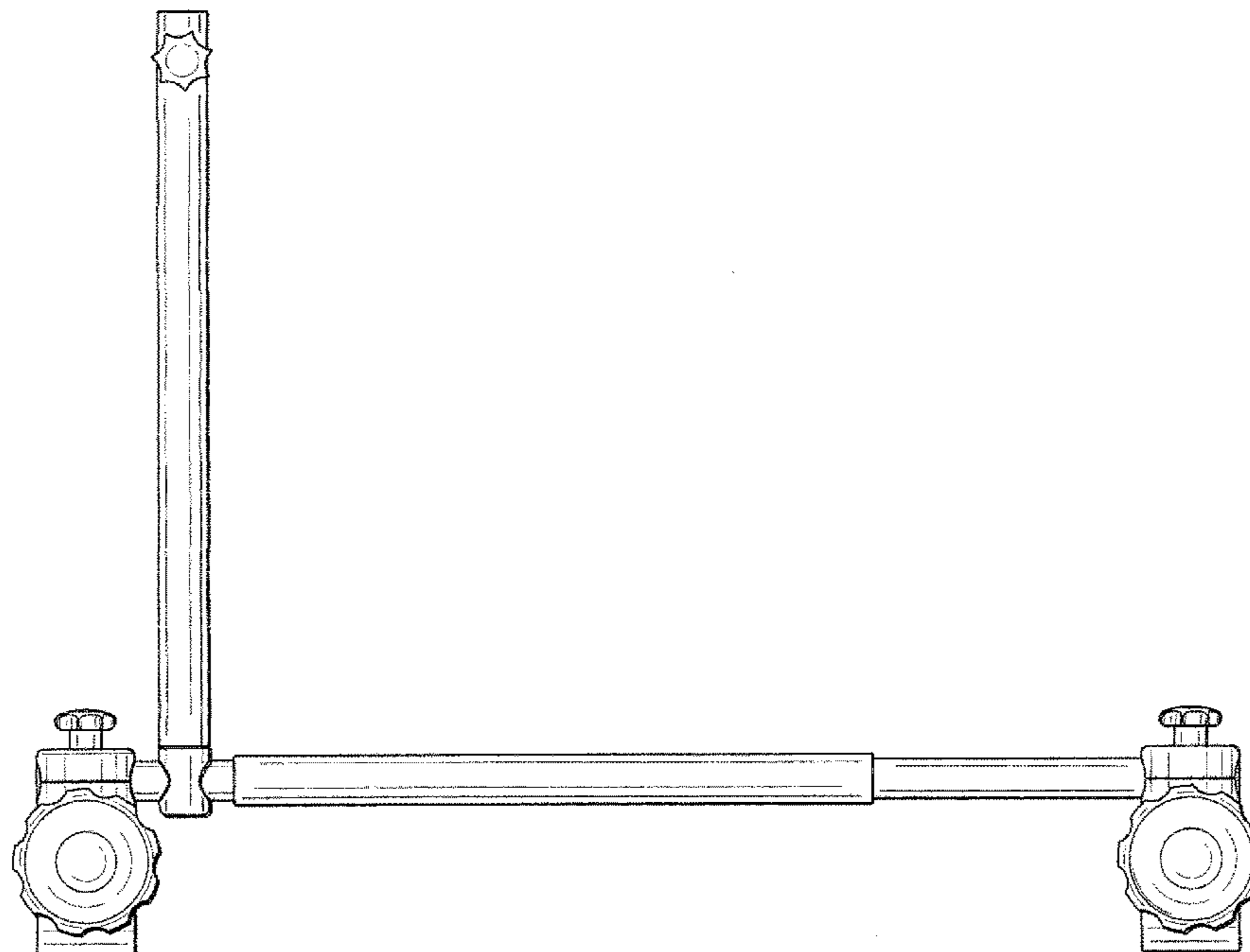
FIG. 11 is a top plan view thereof;

FIG. 12 is a bottom plan view thereof;

FIG. 13 is a rear elevation view thereof; and,

FIG. 14 is a lower left perspective view thereof.

1 Claim, 9 Drawing Sheets



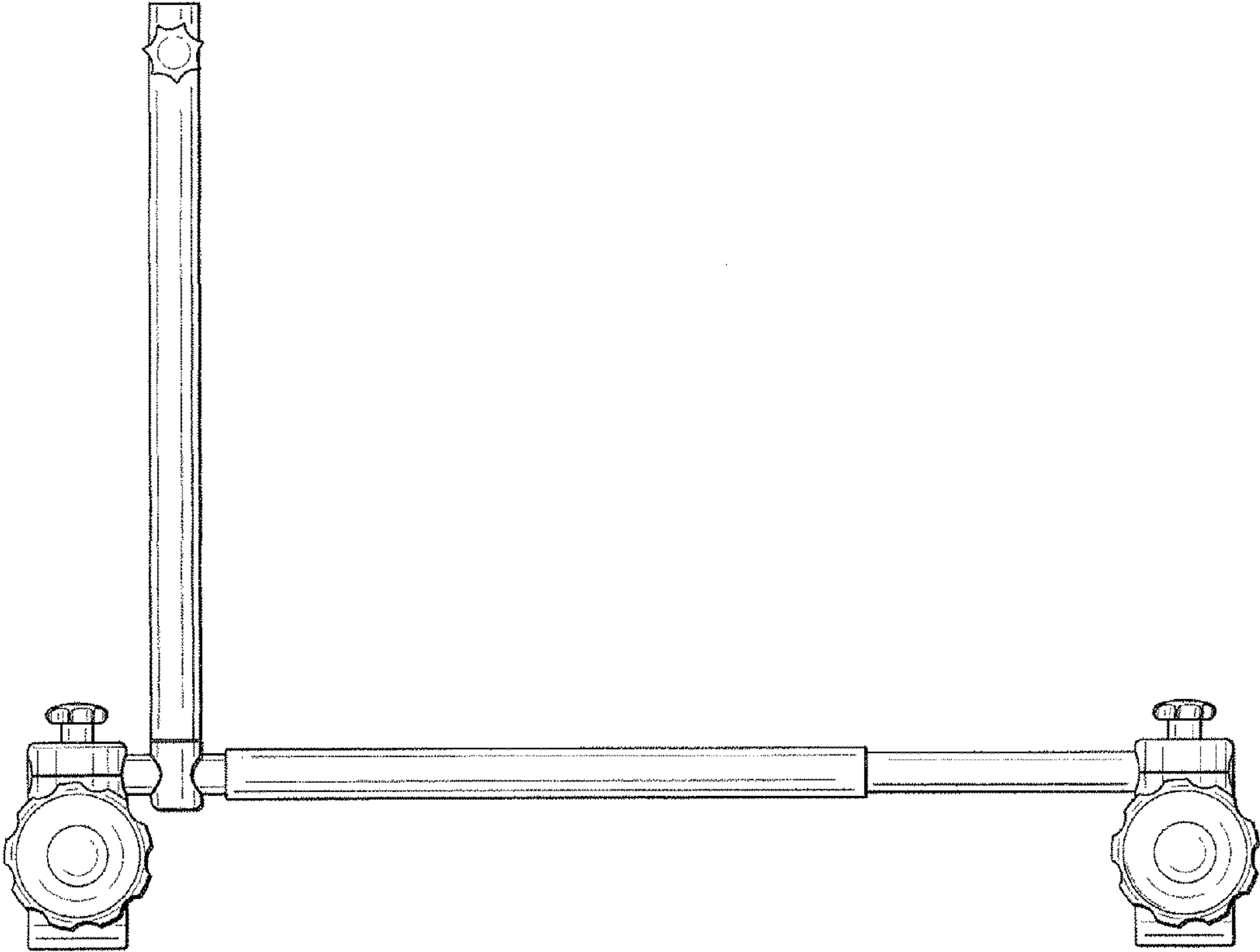


FIG. 1

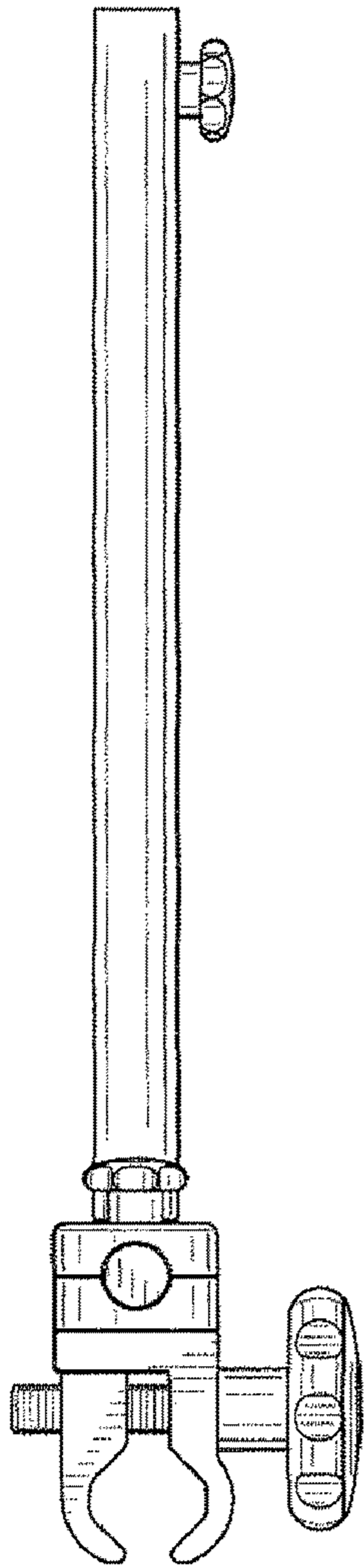


FIG. 2

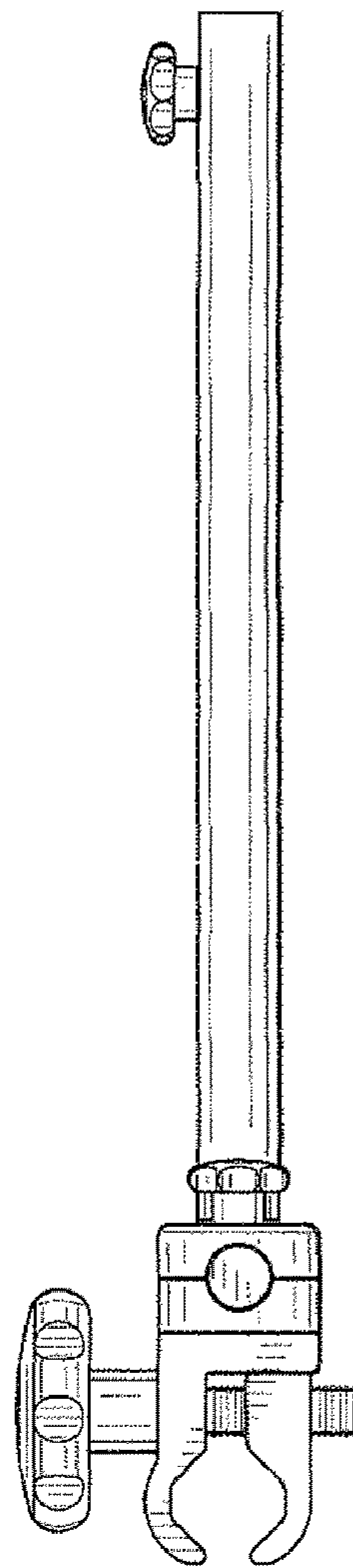


FIG. 3

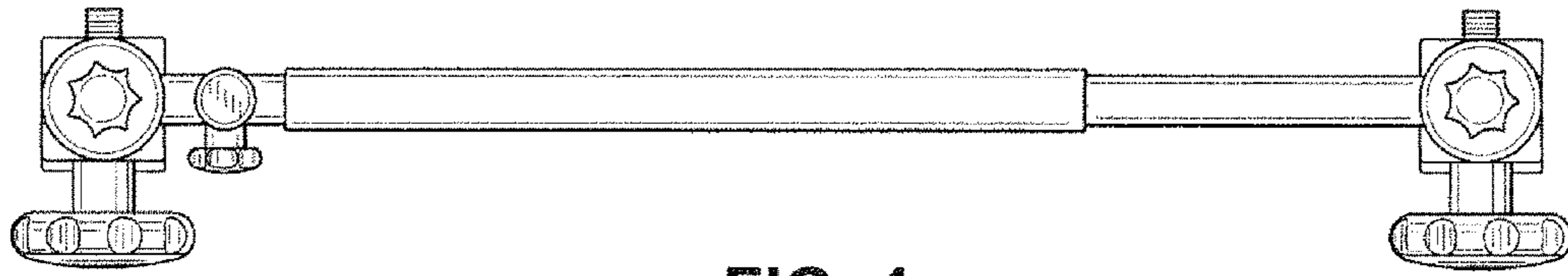


FIG. 4

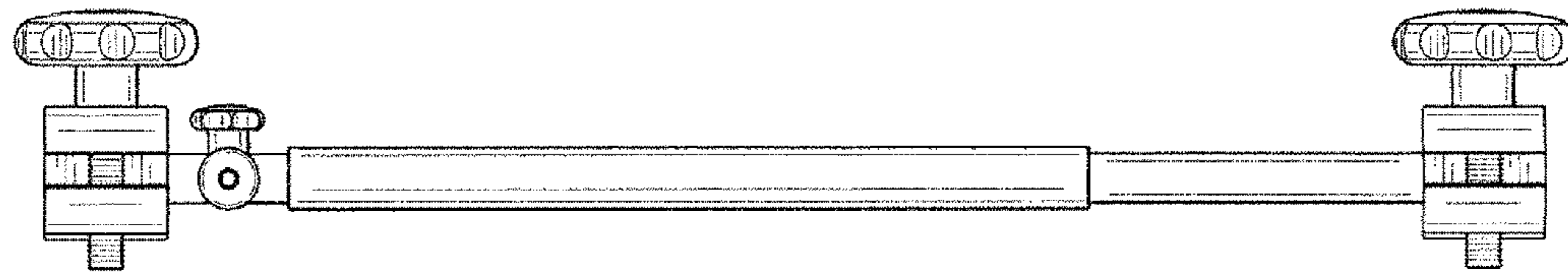


FIG. 5

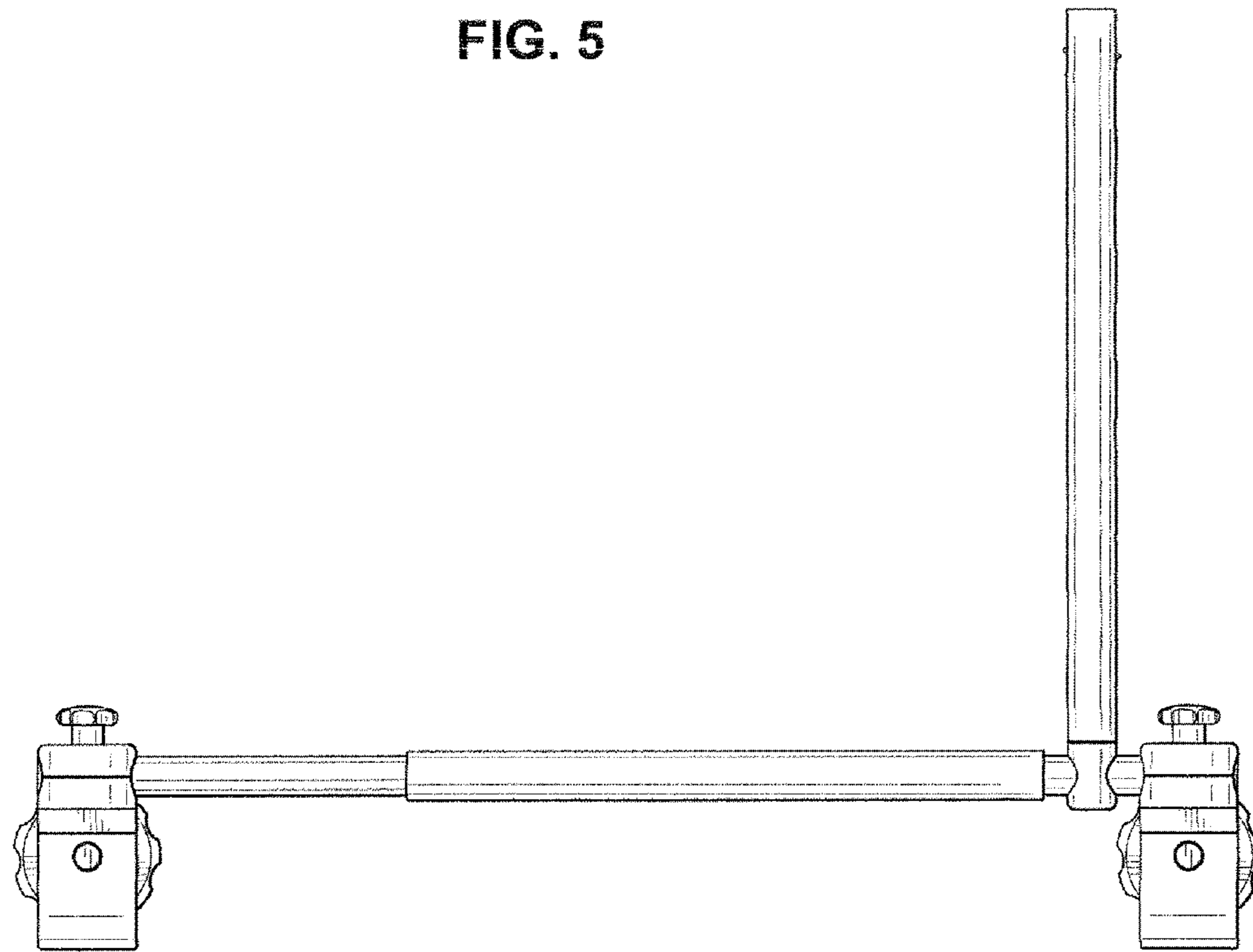


FIG. 6

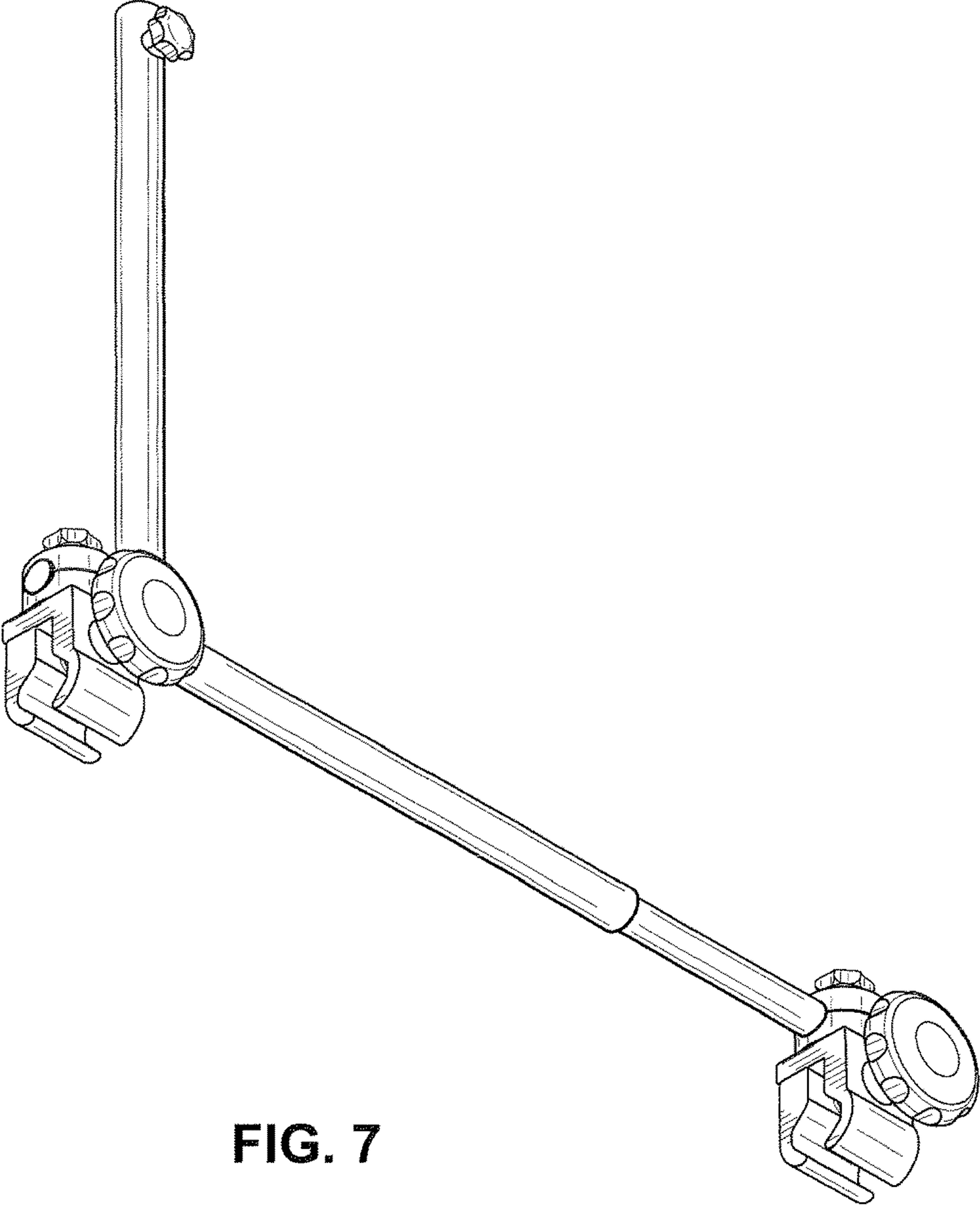


FIG. 7

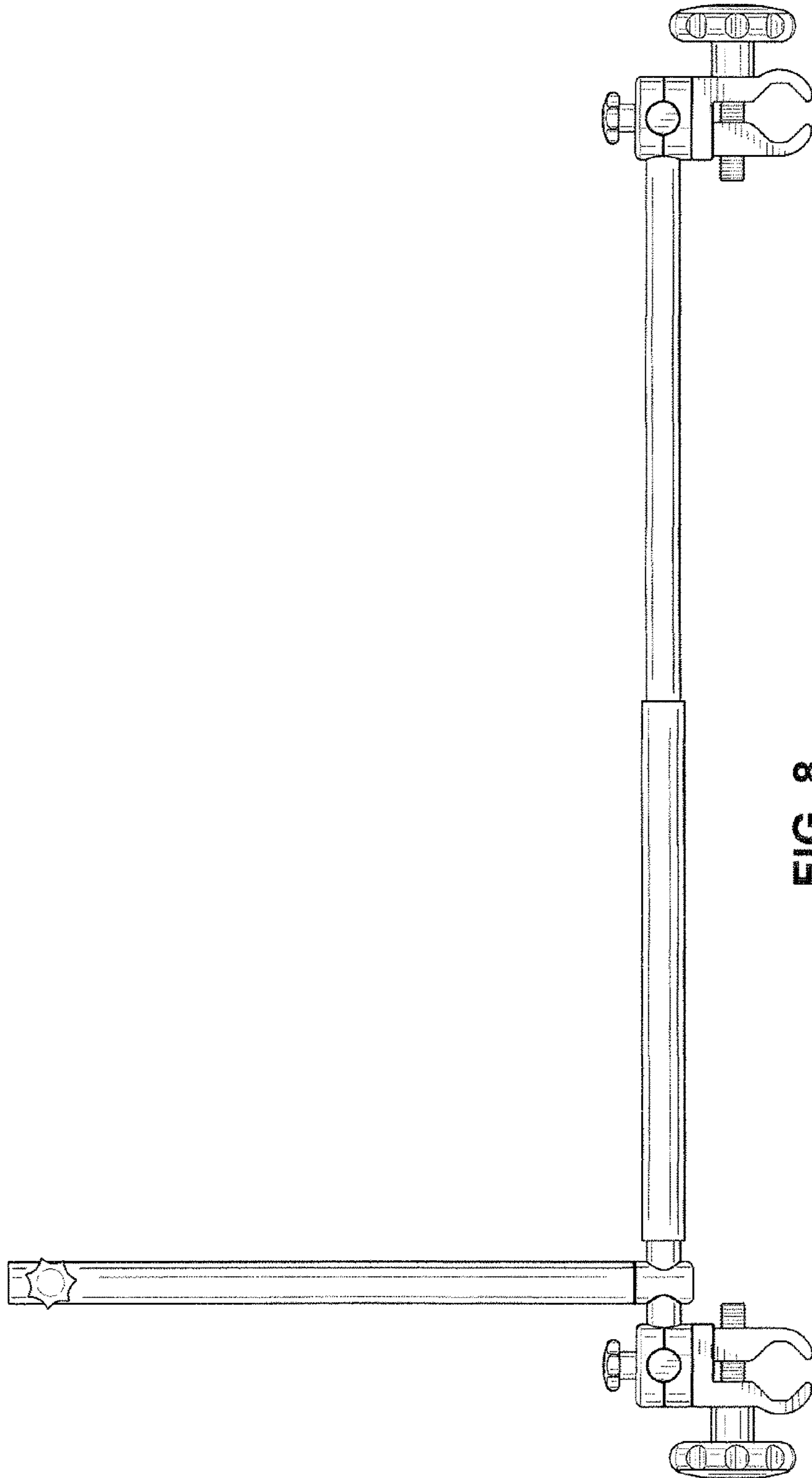


FIG. 8

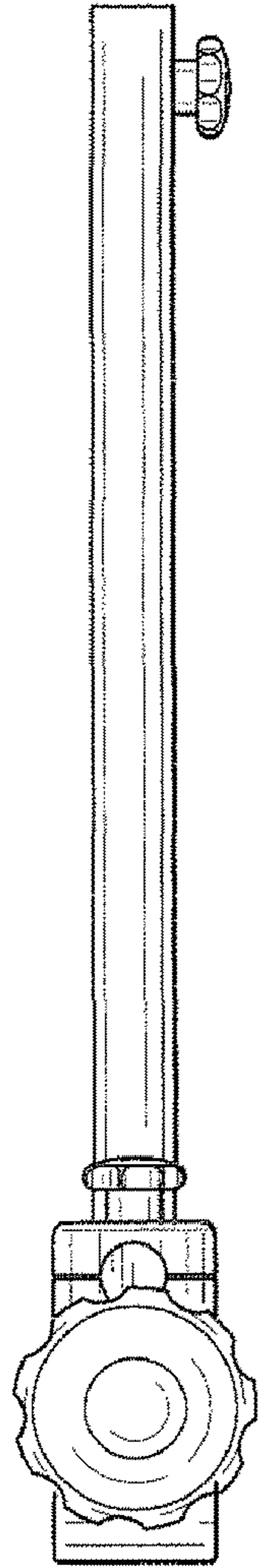


FIG. 9

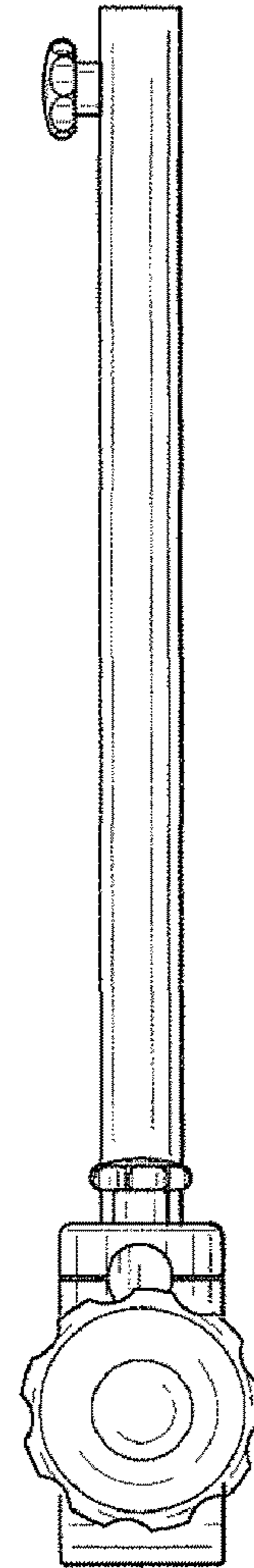


FIG. 10

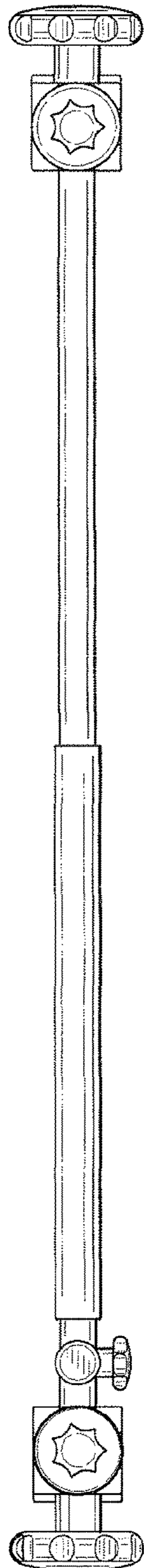


FIG. 11

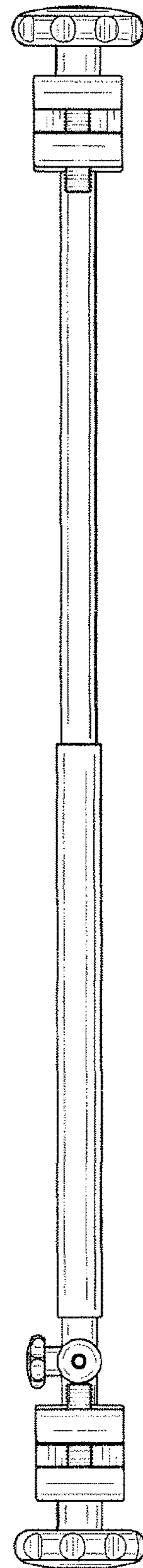


FIG. 12

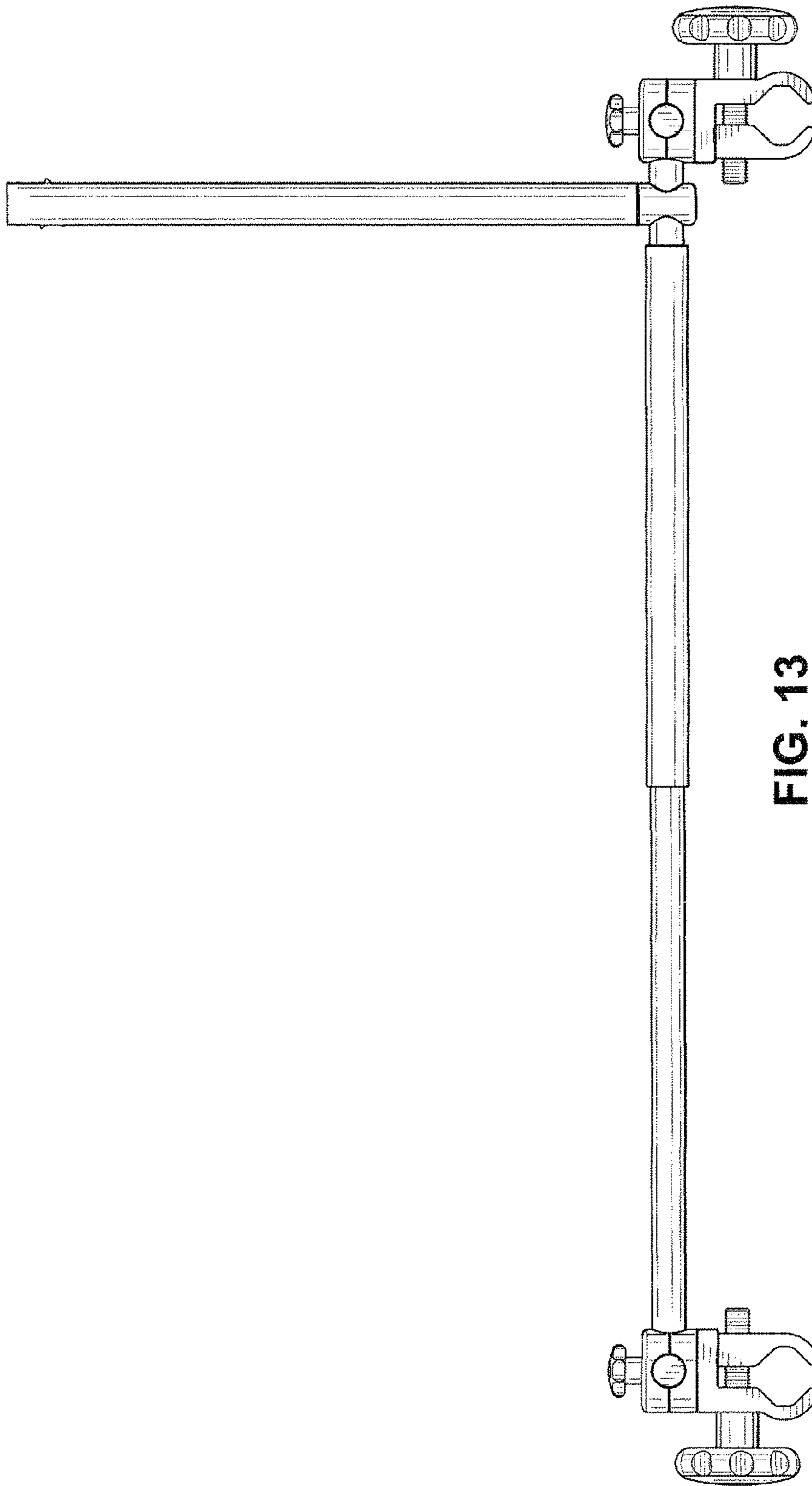


FIG. 13

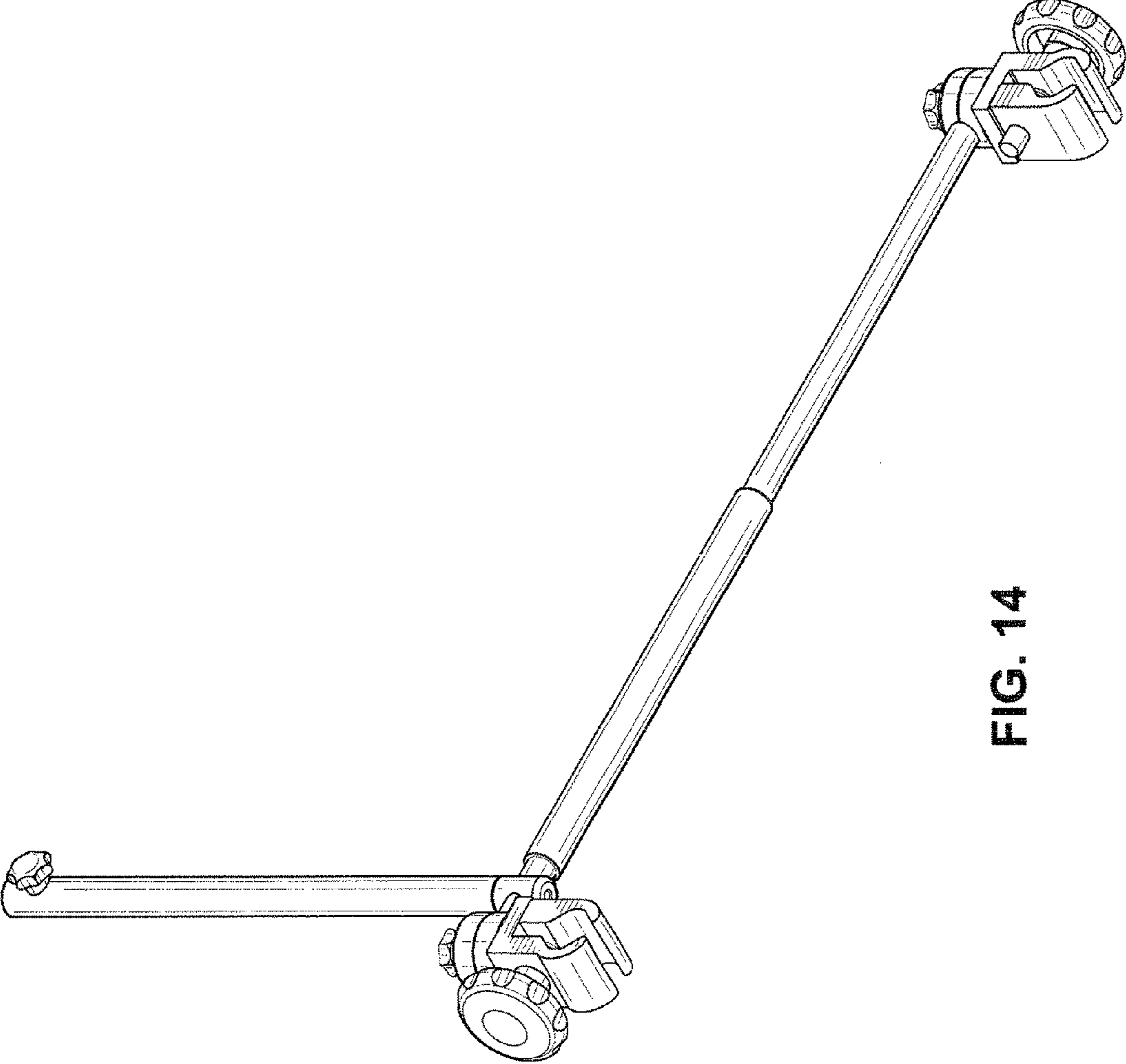


FIG. 14