



US00D626215S

(12) **United States Design Patent**  
**Collazo et al.**

(10) **Patent No.:** **US D626,215 S**  
(45) **Date of Patent:** **\*\* \*Oct. 26, 2010**

(54) **MASK ASSEMBLY**

(75) Inventors: **Louis Javier Collazo**, Pompano Beach, FL (US); **Sanjay Chandran**, Boca Raton, FL (US); **Shara Hernandez**, Davie, FL (US); **Norman D. Castillo**, Miramar, FL (US)

(73) Assignee: **Mergenet Solutions, Inc.**, Coconut Creek, FL (US)

(\*) Notice: This patent is subject to a terminal disclaimer.

(\*\*) Term: **14 Years**

(21) Appl. No.: **29/329,558**

(22) Filed: **Dec. 17, 2008**

**Related U.S. Application Data**

(63) Continuation of application No. 12/256,388, filed on Oct. 22, 2008.

(51) **LOC (9) Cl.** ..... **29-02**

(52) **U.S. Cl.** ..... **D24/110.1**

(58) **Field of Classification Search** ..... D24/110.1, D24/110.4, 110.5, 164; 128/206.21, 204.18, 128/207.12, 207.13, 205.25, 206.26, 206.24, 128/207.11, 207.17, 204.13

See application file for complete search history.

(56) **References Cited**

**U.S. PATENT DOCUMENTS**

D484,238 S \* 12/2003 Radney et al. .... D24/110.4  
D486,226 S \* 2/2004 Guney et al. .... D24/110.1  
D493,885 S \* 8/2004 Raje et al. .... D24/110.1

D515,204 S \* 2/2006 Guney et al. .... D24/110.1  
7,069,932 B2 \* 7/2006 Eaton et al. .... 128/206.24  
D539,901 S \* 4/2007 McAuliffe et al. .... D24/110.1  
7,287,528 B2 \* 10/2007 Ho et al. .... 128/206.21  
D562,445 S \* 2/2008 McAuliffe et al. .... D24/110.1  
D579,551 S \* 10/2008 Ho et al. .... D24/110.1  
D583,047 S \* 12/2008 Chandran et al. .... D24/110.1  
D584,400 S \* 1/2009 McAuley et al. .... D24/110.1  
D586,458 S \* 2/2009 Kooij et al. .... D24/110.1  
D593,675 S \* 6/2009 Brambilla et al. .... D24/110.1  
D597,202 S \* 7/2009 Reid et al. .... D24/110.1  
2003/0164170 A1 \* 9/2003 Drew et al. .... 128/204.18  
2004/0211428 A1 \* 10/2004 Jones et al. .... 128/206.27  
2006/0144399 A1 \* 7/2006 Davidowski et al. ... 128/205.12  
2007/0044797 A1 \* 3/2007 Ho ..... 128/204.18  
2008/0264421 A1 \* 10/2008 Kwok et al. .... 128/205.25

\* cited by examiner

*Primary Examiner*—Ian Simmons

*Assistant Examiner*—Christopher Lee

(74) *Attorney, Agent, or Firm*—Adam Underwood, Esq.; Carey Rodriguez Greenberg & Paul, LLP

(57) **CLAIM**

The ornamental design for a mask assembly, as shown and described.

**DESCRIPTION**

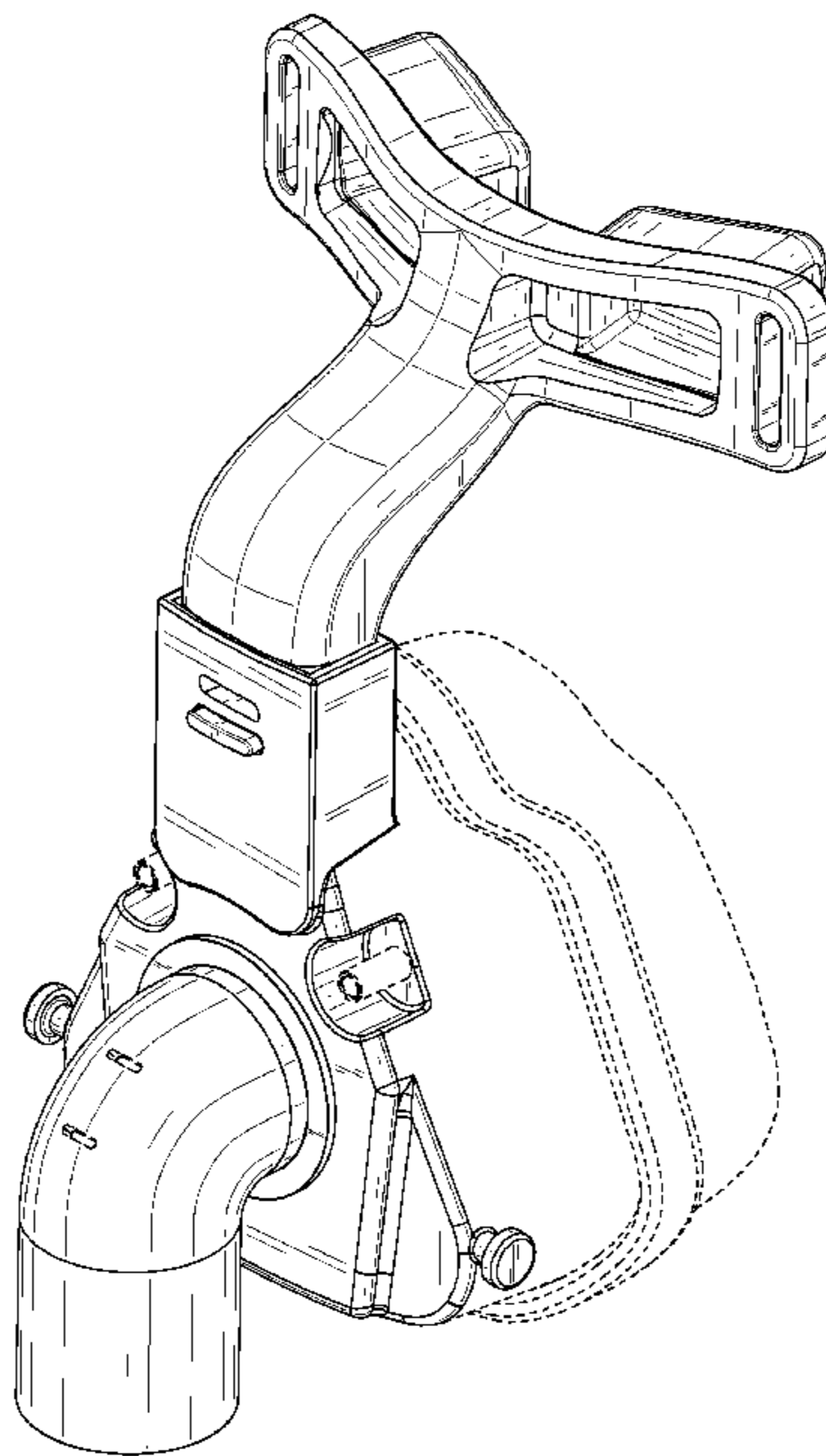
FIG. 1 is a front perspective view of a mask assembly according to our new design;

FIG. 2 is a side view of the mask assembly thereof; and,

FIG. 3 is a front view of the mask assembly thereof.

This design is directed to a mask assembly. Where included, broken lines illustrate environmental structure of the mask assembly, which forms no part of the claimed design.

**1 Claim, 3 Drawing Sheets**



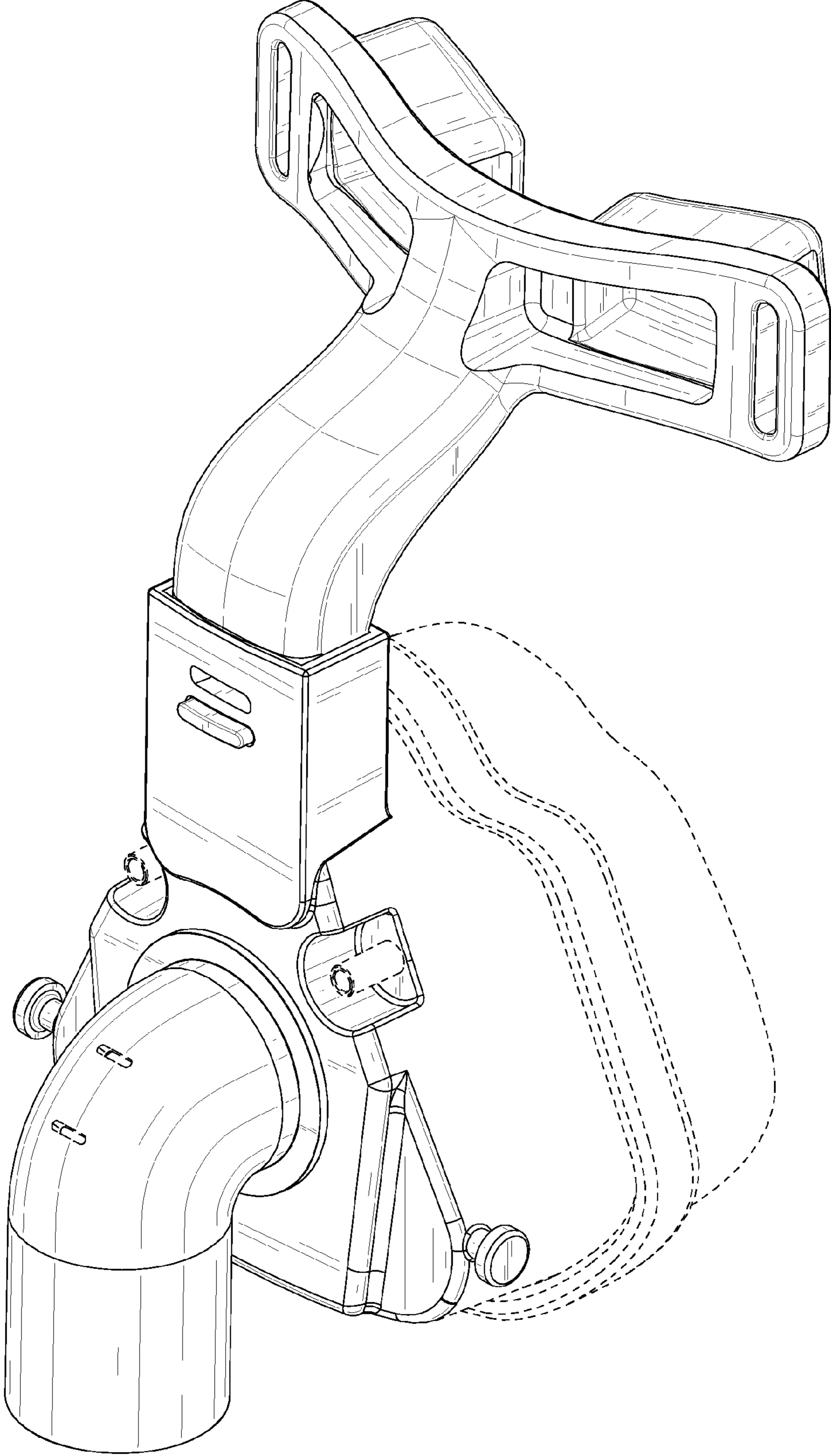


FIG. 1

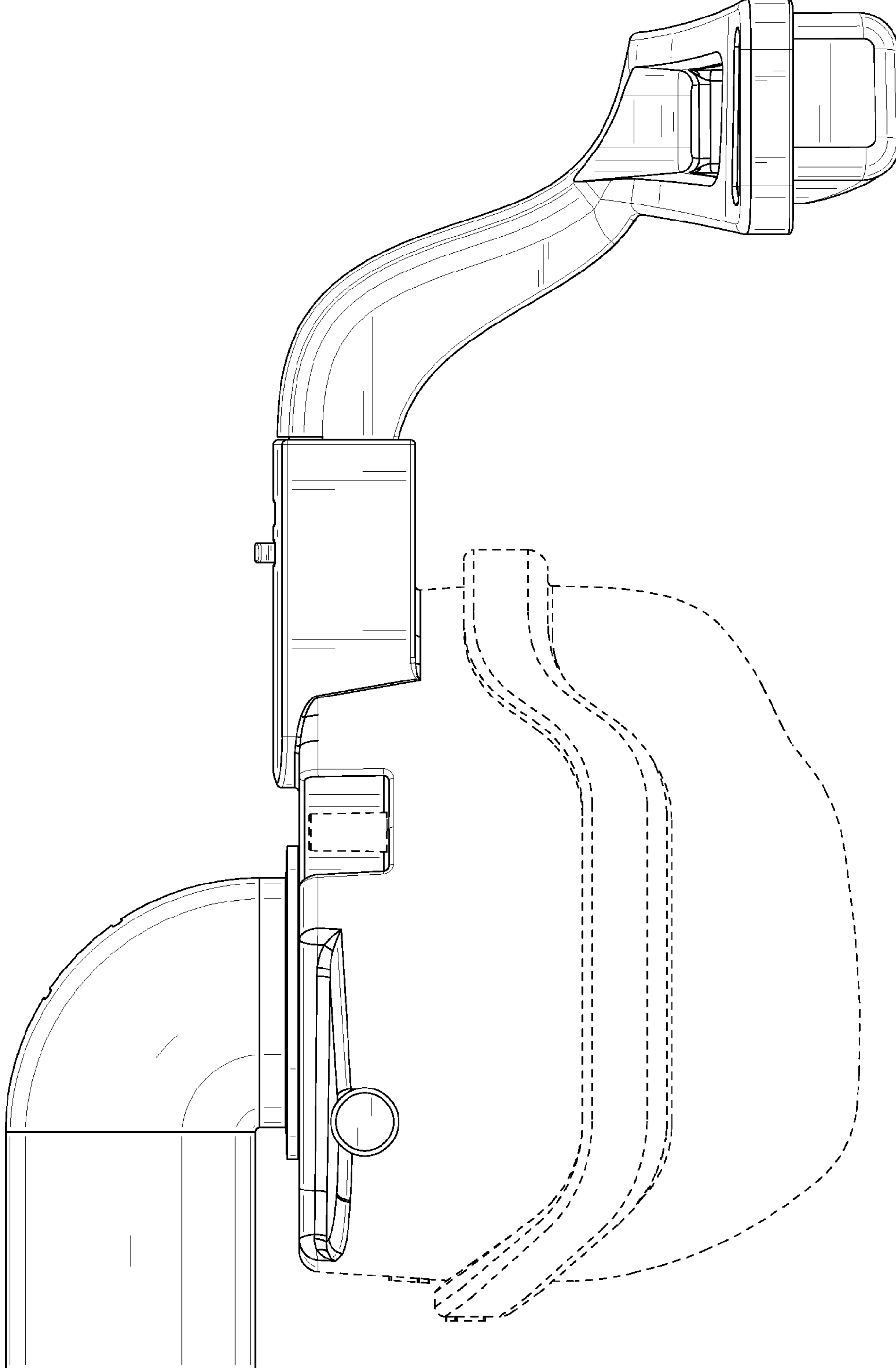


FIG. 2

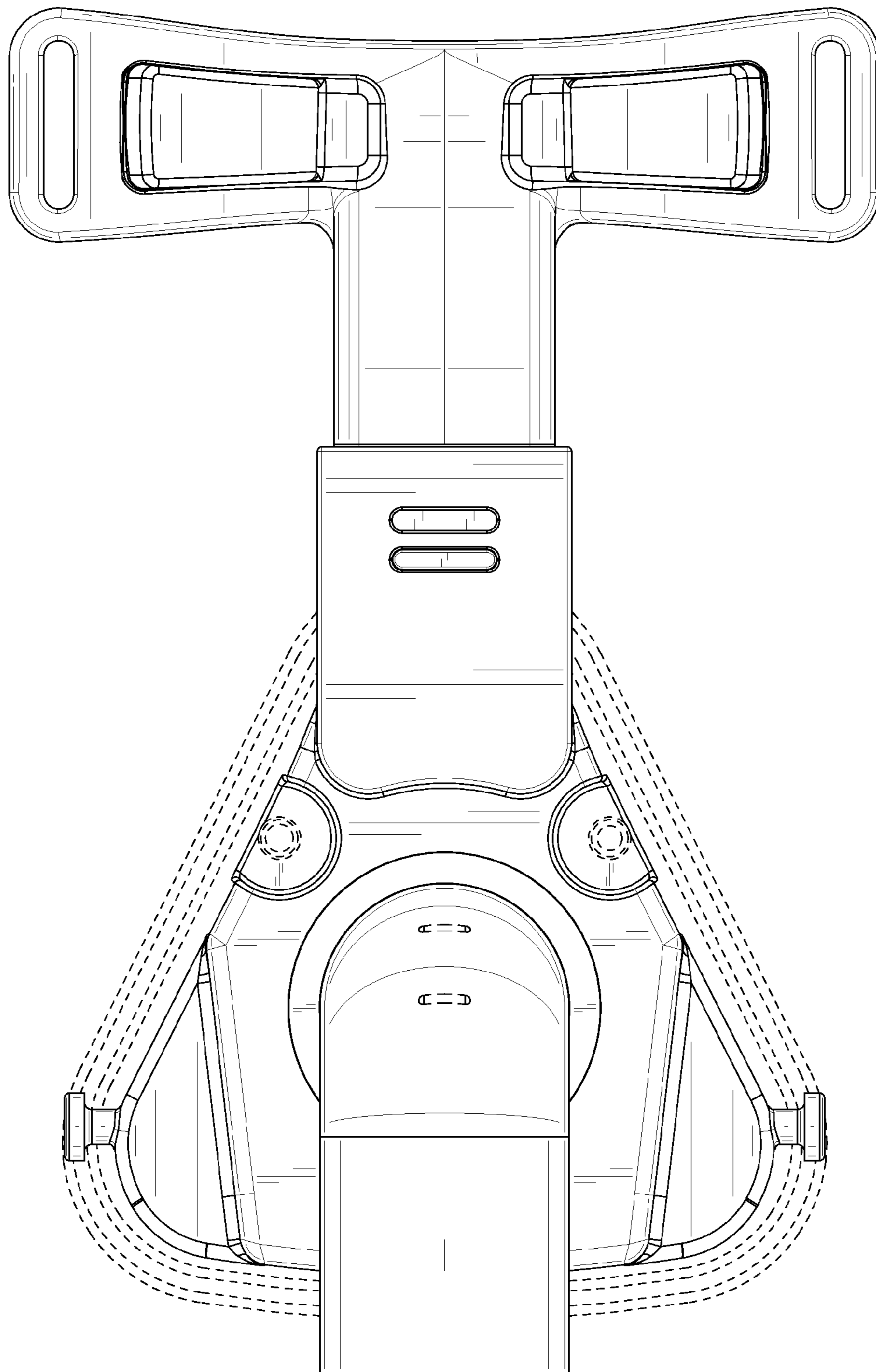


FIG. 3