



US00D626214S

(12) **United States Design Patent**
Spengler

(10) **Patent No.:** **US D626,214 S**

(45) **Date of Patent:** **** Oct. 26, 2010**

(54) **TABLET**

(75) **Inventor:** **Reinhard Spengler, Maxdorf (DE)**

(73) **Assignee:** **Abbott GmbH & Co. KG (DE)**

(**) **Term:** **14 Years**

(21) **Appl. No.:** **29/301,994**

(22) **Filed:** **Mar. 26, 2008**

(30) **Foreign Application Priority Data**

Sep. 27, 2007 (EM) 000797907-0001
Sep. 27, 2007 (EM) 000797907-0002
Sep. 27, 2007 (EM) 000797907-0003

(51) **LOC (9) Cl.** **28-01**

(52) **U.S. Cl.** **D24/103**

(58) **Field of Classification Search** D24/100-104;
D28/8.1, 8.2; 424/732, 439, 454, 464-468;
426/78; 606/162

See application file for complete search history.

(56) **References Cited**

U.S. PATENT DOCUMENTS

D56,478 S * 10/1920 Shores D24/103
2,386,416 A * 10/1945 Wilhelm 206/539
D201,497 S * 6/1965 Ninger D24/103
D202,392 S * 9/1965 Horne D28/8.1
D202,467 S * 10/1965 Guilmot D24/103
3,336,200 A * 8/1967 Krause et al. 424/465
D216,307 S * 12/1969 Ninger D24/103
D220,956 S * 6/1971 Roberts D24/103
D224,591 S * 8/1972 Roberts D24/103
D225,627 S * 12/1972 Herbert et al. D24/101

D285,491 S * 9/1986 Tovey D24/101
D286,449 S * 10/1986 Tovey D24/101
D291,881 S * 9/1987 Koushiefes D24/101
4,735,805 A * 4/1988 Ni et al. 424/464
D298,061 S * 10/1988 Flury et al. D24/103
D299,275 S * 1/1989 Ott D24/103
D309,035 S * 7/1990 Ni et al. D24/103
D334,420 S * 3/1993 Gladfelter et al. D24/101
D334,421 S * 3/1993 Gladfelter et al. D24/101
5,562,920 A * 10/1996 Demmer et al. 424/464
6,161,260 A * 12/2000 Flewitt D24/101
D440,650 S * 4/2001 Hite et al. D24/103
6,692,765 B1 2/2004 Spengler
D589,606 S * 3/2009 Schonwille D24/101

* cited by examiner

Primary Examiner—Charles A Rademaker

(74) *Attorney, Agent, or Firm*—Polsinelli Shughart PC

(57) **CLAIM**

The ornamental design for a tablet, as shown and described.

DESCRIPTION

FIG. 1 is a bottom plan view of a tablet showing our new design;

FIG. 2 is a top plan view thereof;

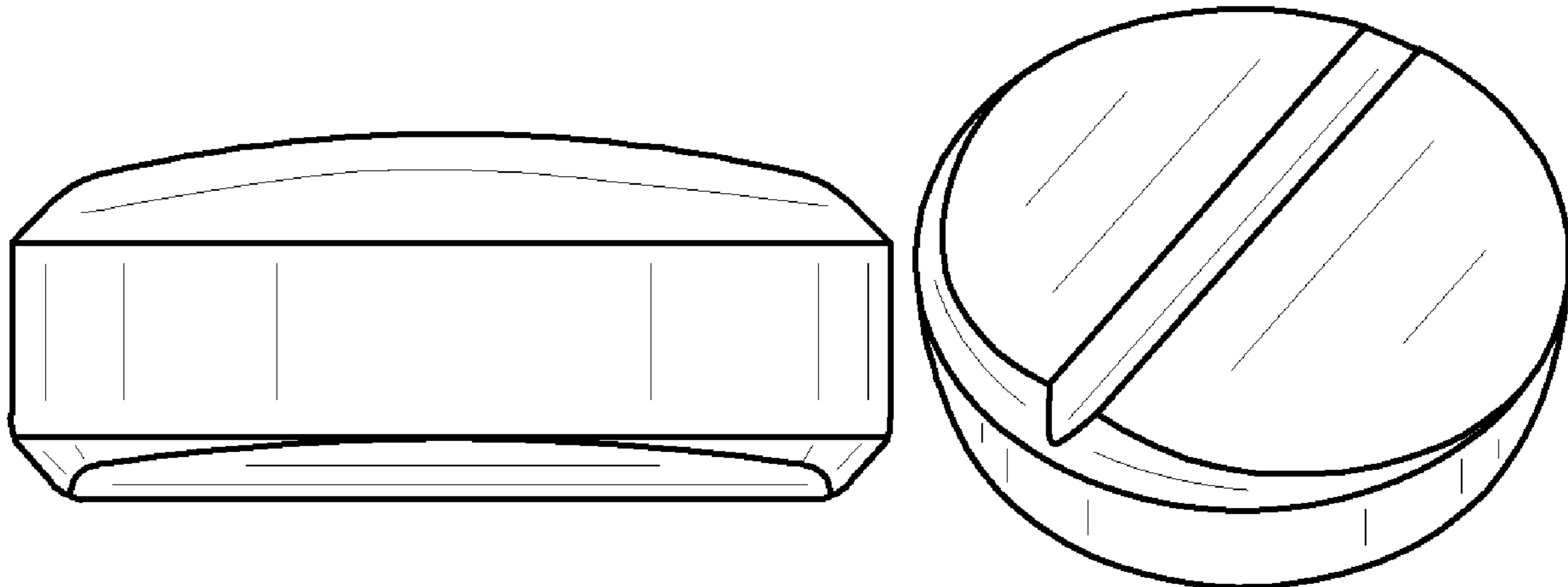
FIG. 3 is an end elevation thereof, the end opposite being identical;

FIG. 4 is a right elevation thereof, the side opposite being identical;

FIG. 5 is a bottom perspective view thereof; and,

FIG. 6 is a top perspective view thereof.

1 Claim, 2 Drawing Sheets



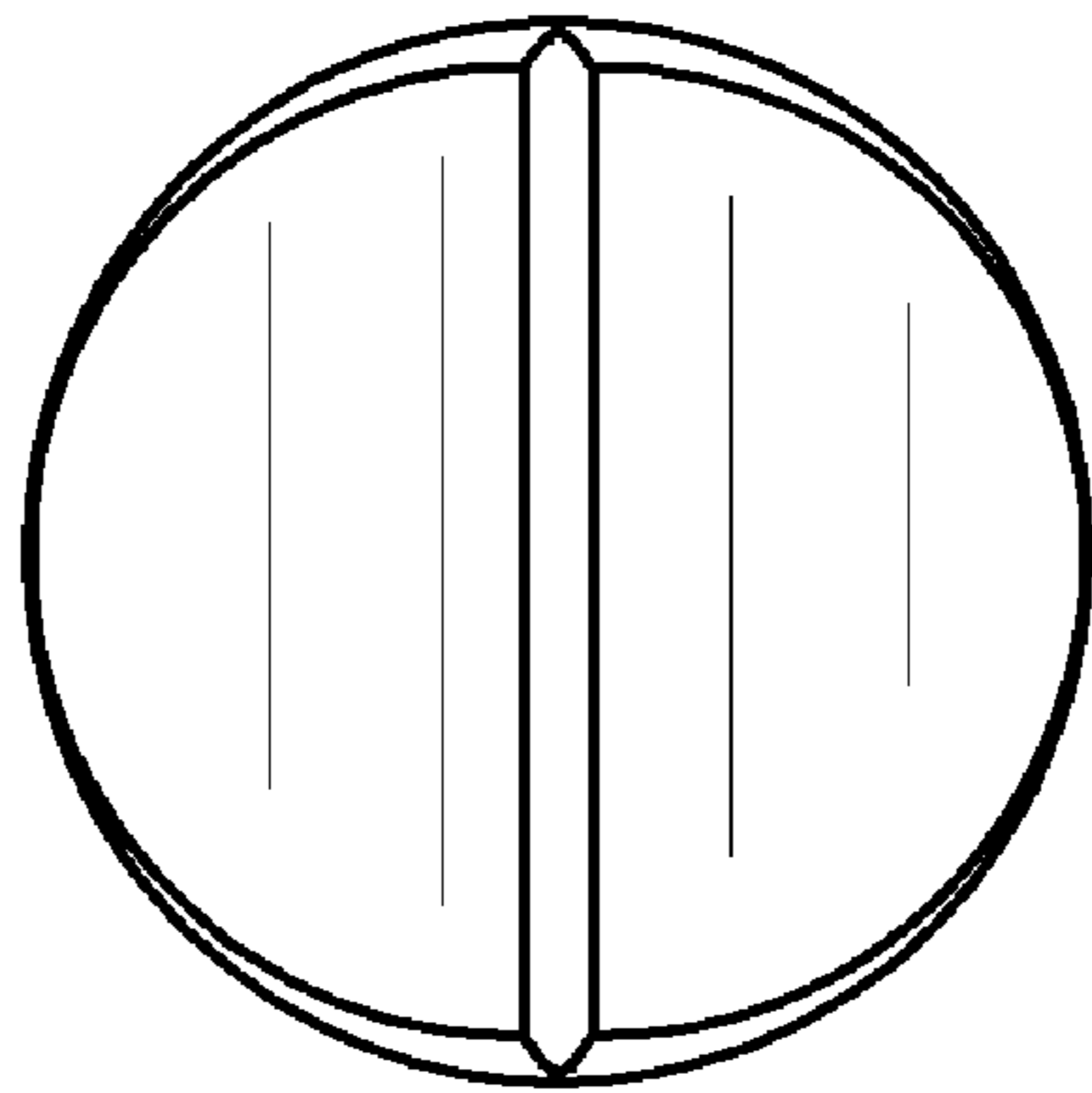


FIG. 1

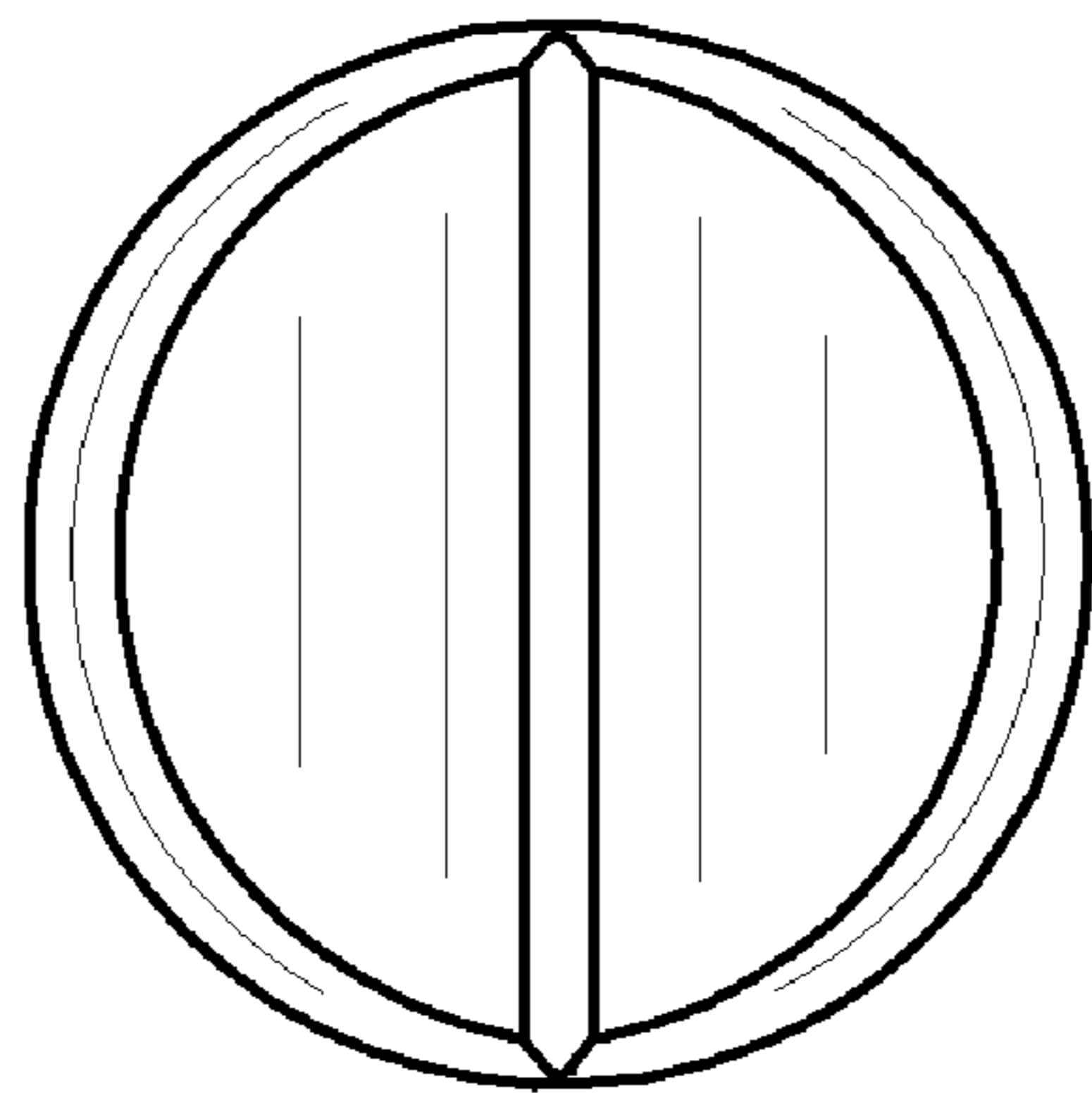


FIG. 2

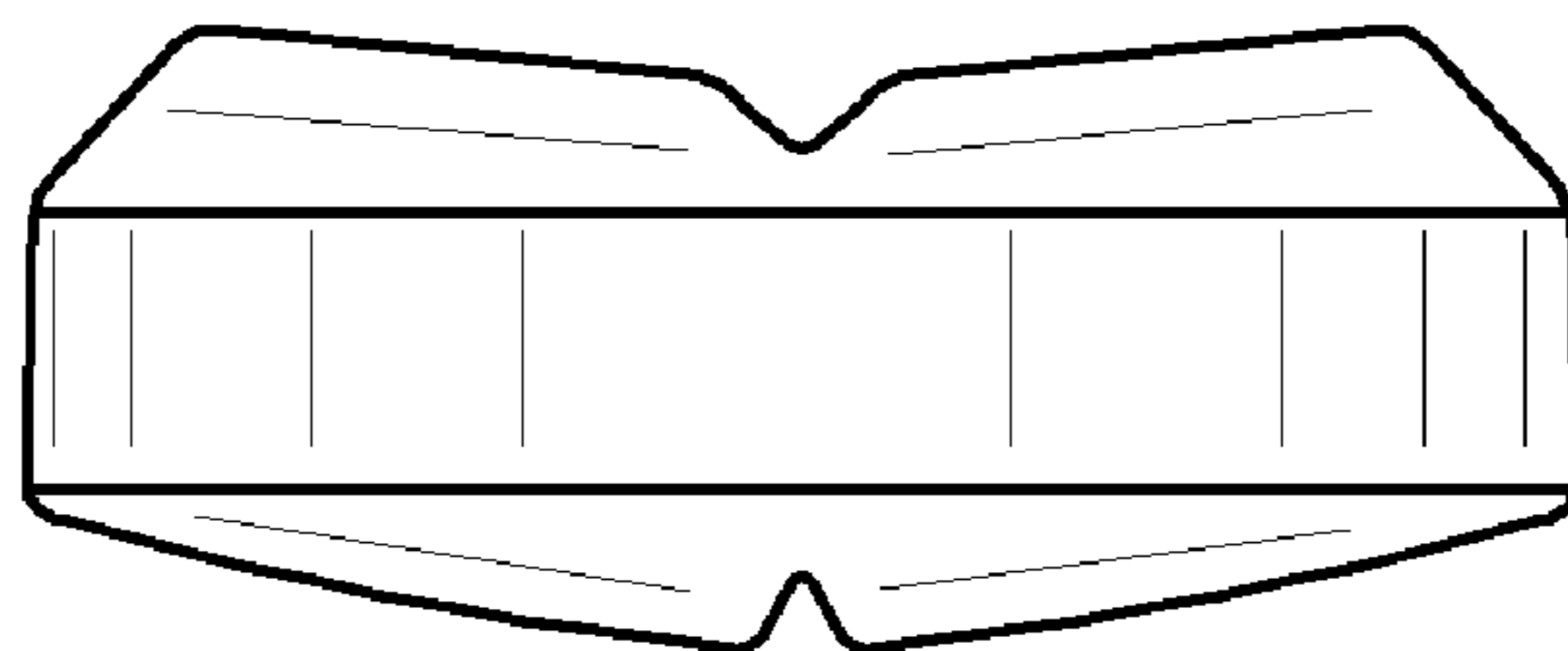


FIG. 3

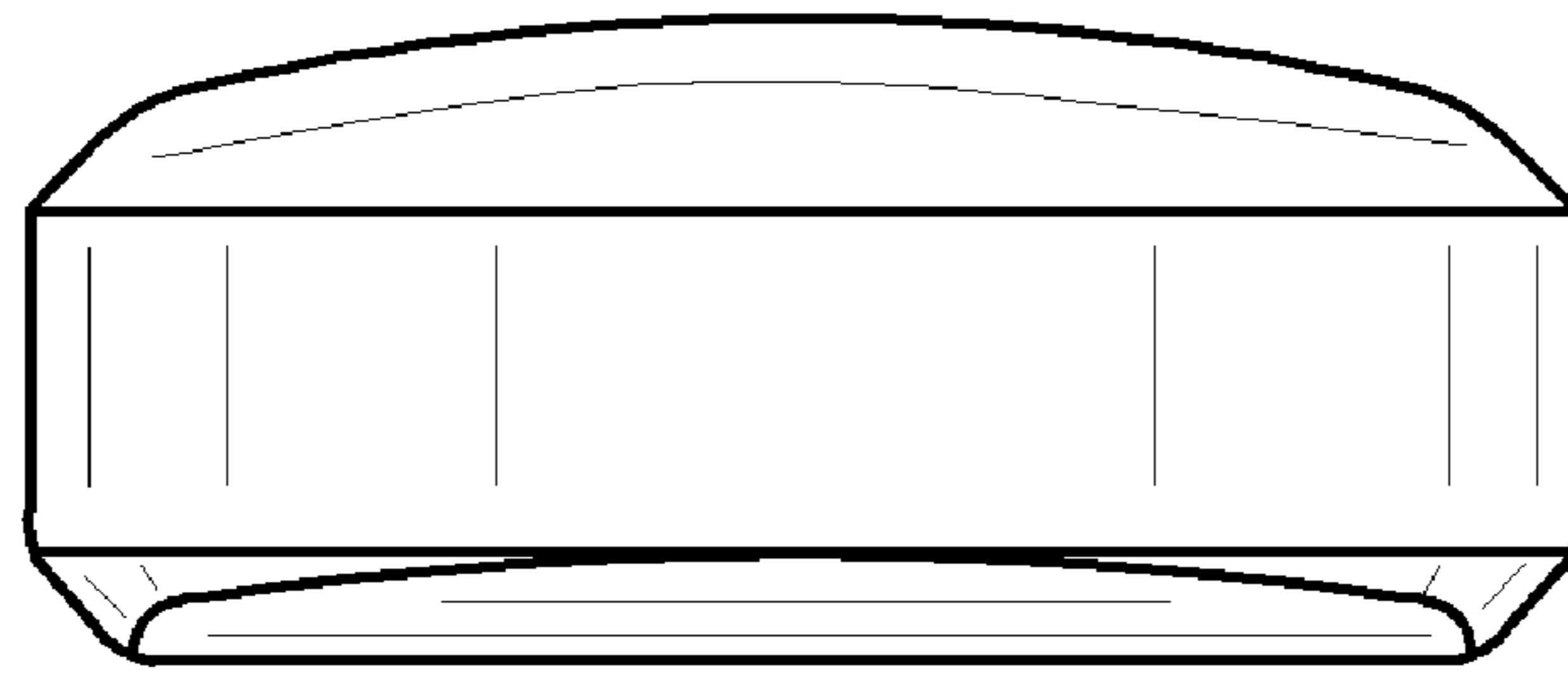


FIG. 4

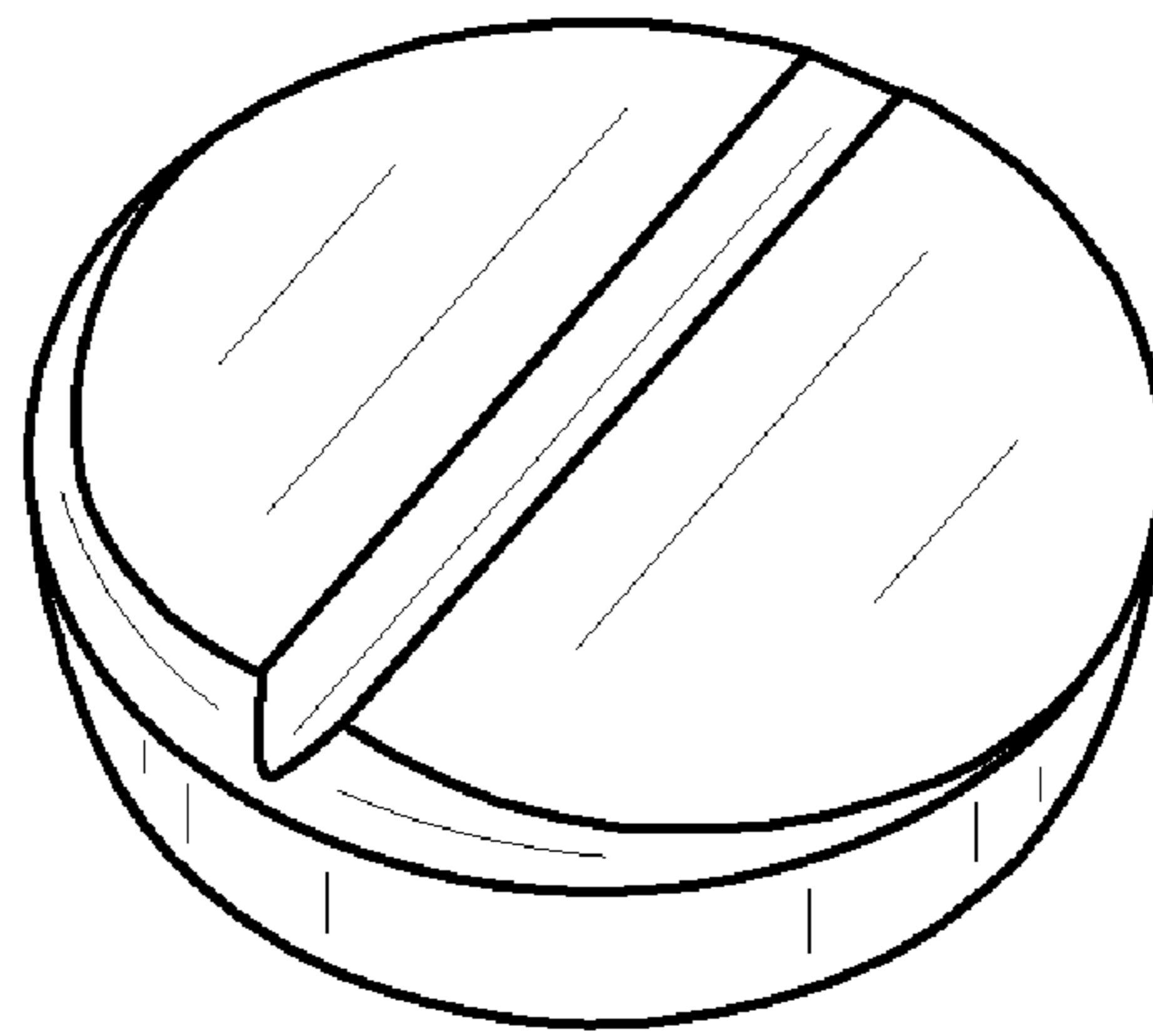


FIG. 5

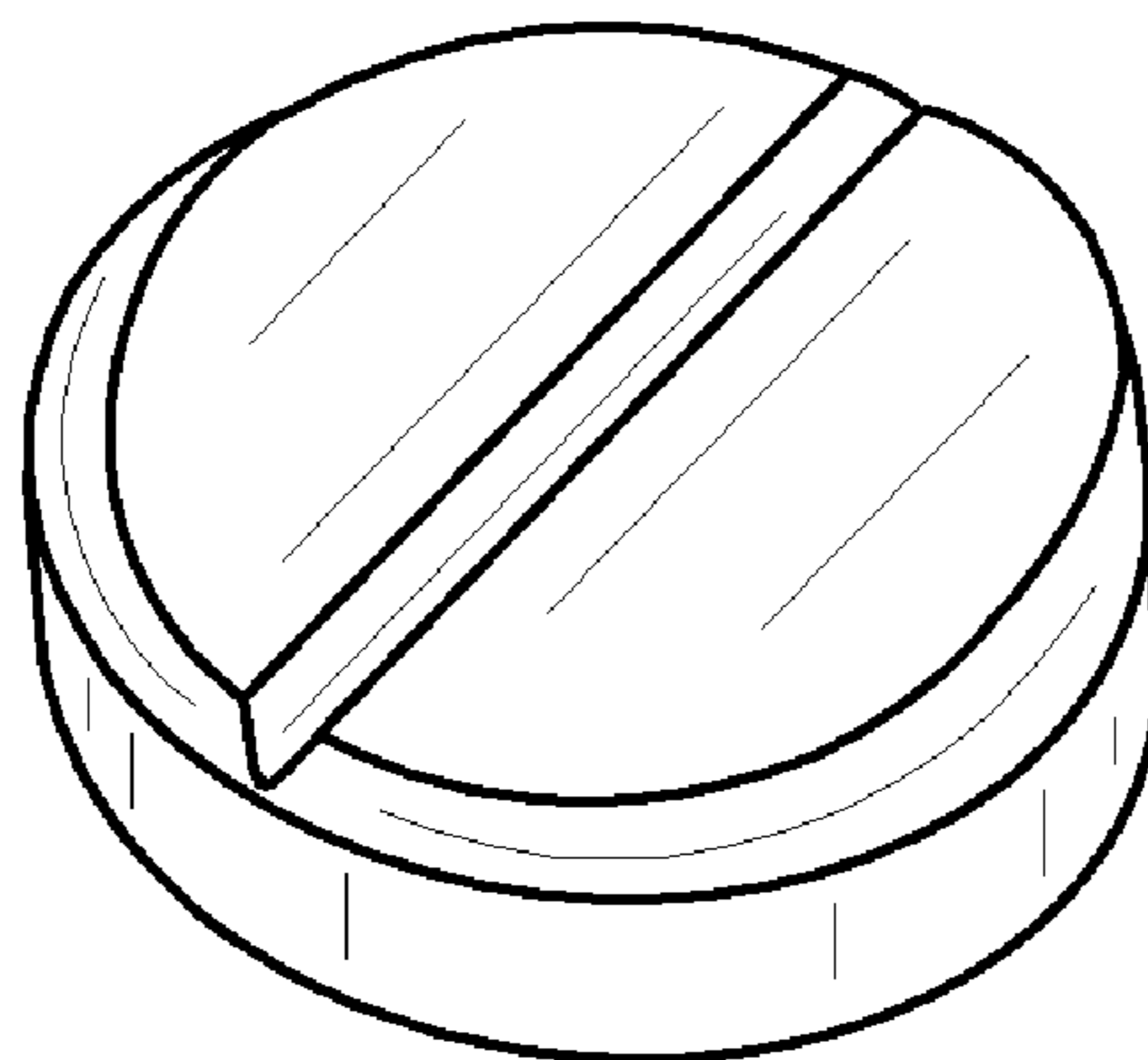


FIG. 6