



US00D626211S

(12) **United States Design Patent**
Wang

(10) **Patent No.:** **US D626,211 S**
(45) **Date of Patent:** **** Oct. 26, 2010**

- (54) **CEILING FAN MOTOR HOUSING**
- (75) Inventor: **Cliff Wang**, Taichung (TW)
- (73) Assignee: **Landmark Enterprise Inc.**, Bandar Seri Begawan (BN)
- (**) Term: **14 Years**
- (21) Appl. No.: **29/358,337**
- (22) Filed: **Mar. 25, 2010**
- (51) **LOC (9) Cl.** **23-04**
- (52) **U.S. Cl.** **D23/411**
- (58) **Field of Classification Search** D23/377,
D23/379, 385, 411, 413; 416/5
See application file for complete search history.

(56) **References Cited**

U.S. PATENT DOCUMENTS

- D435,901 S * 1/2001 Tsuji D23/411
- D580,544 S * 11/2008 Badarello D23/411

* cited by examiner

Primary Examiner—Lisa P Lichtenstein
(74) *Attorney, Agent, or Firm*—Ming Chow Sinorica, LLC

(57) **CLAIM**

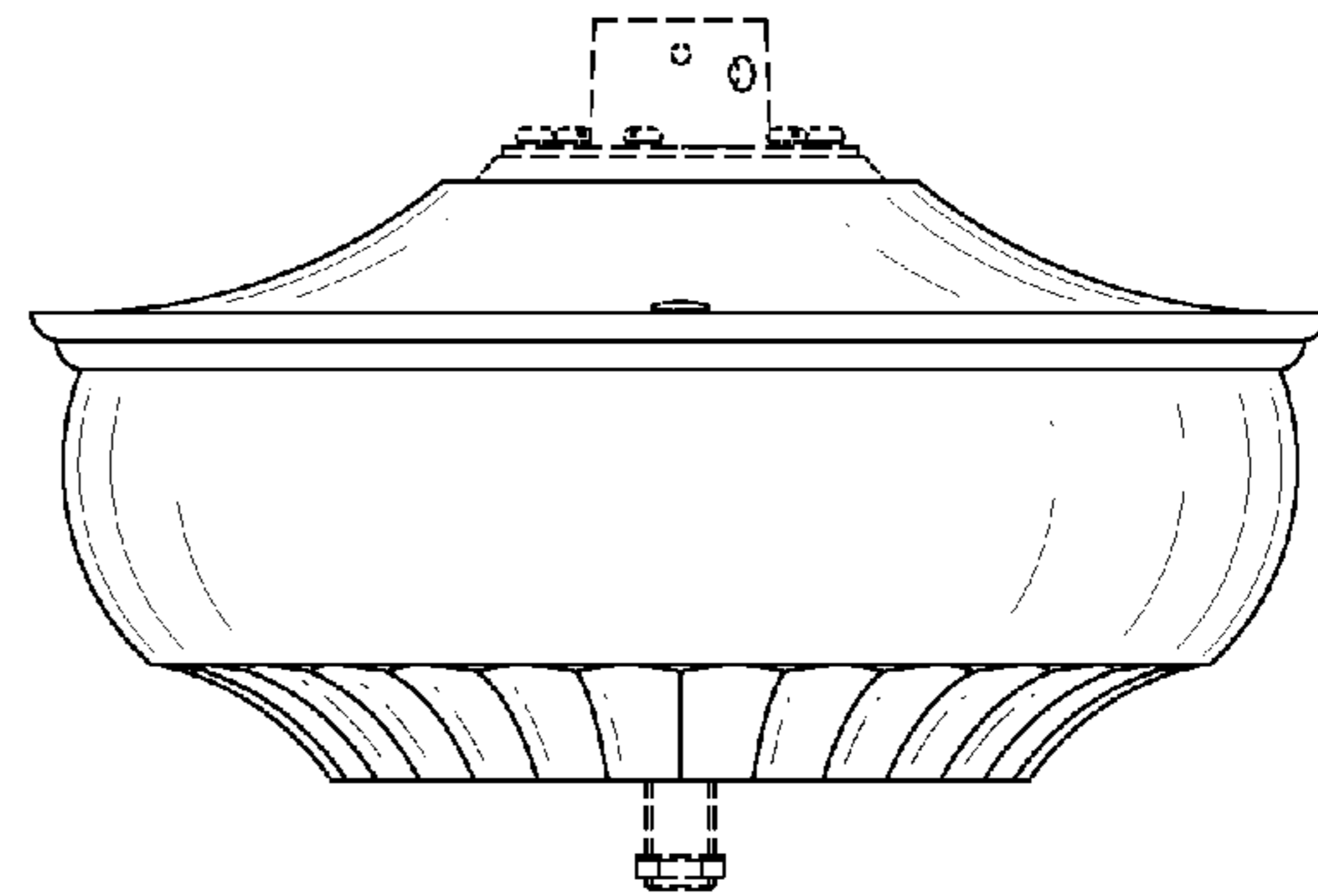
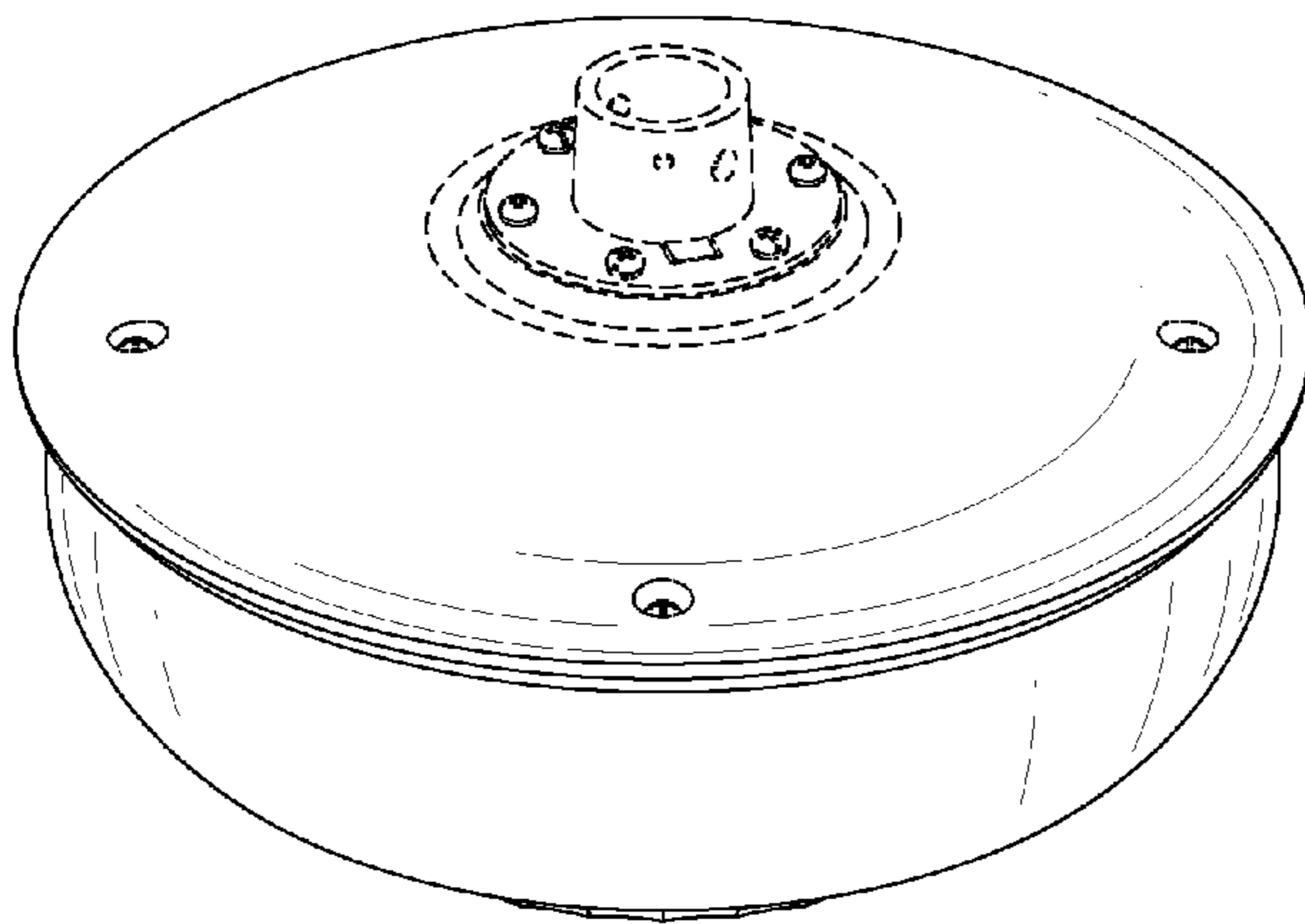
I claim the ornamental design for a ceiling fan motor housing, as shown and described.

DESCRIPTION

FIG. 1 is a front perspective view of a ceiling fan motor housing showing my new design;
 FIG. 2 is a front elevational view thereof;
 FIG. 3 is a rear elevational view thereof.
 FIG. 4 is a left side elevational view thereof;
 FIG. 5 is a right side elevational view thereof;
 FIG. 6 is a top plan view thereof; and,
 FIG. 7 is a bottom plan view thereof.

The broken lines are for the purpose of illustrating environmental structure and form no part of the claimed design.

1 Claim, 4 Drawing Sheets



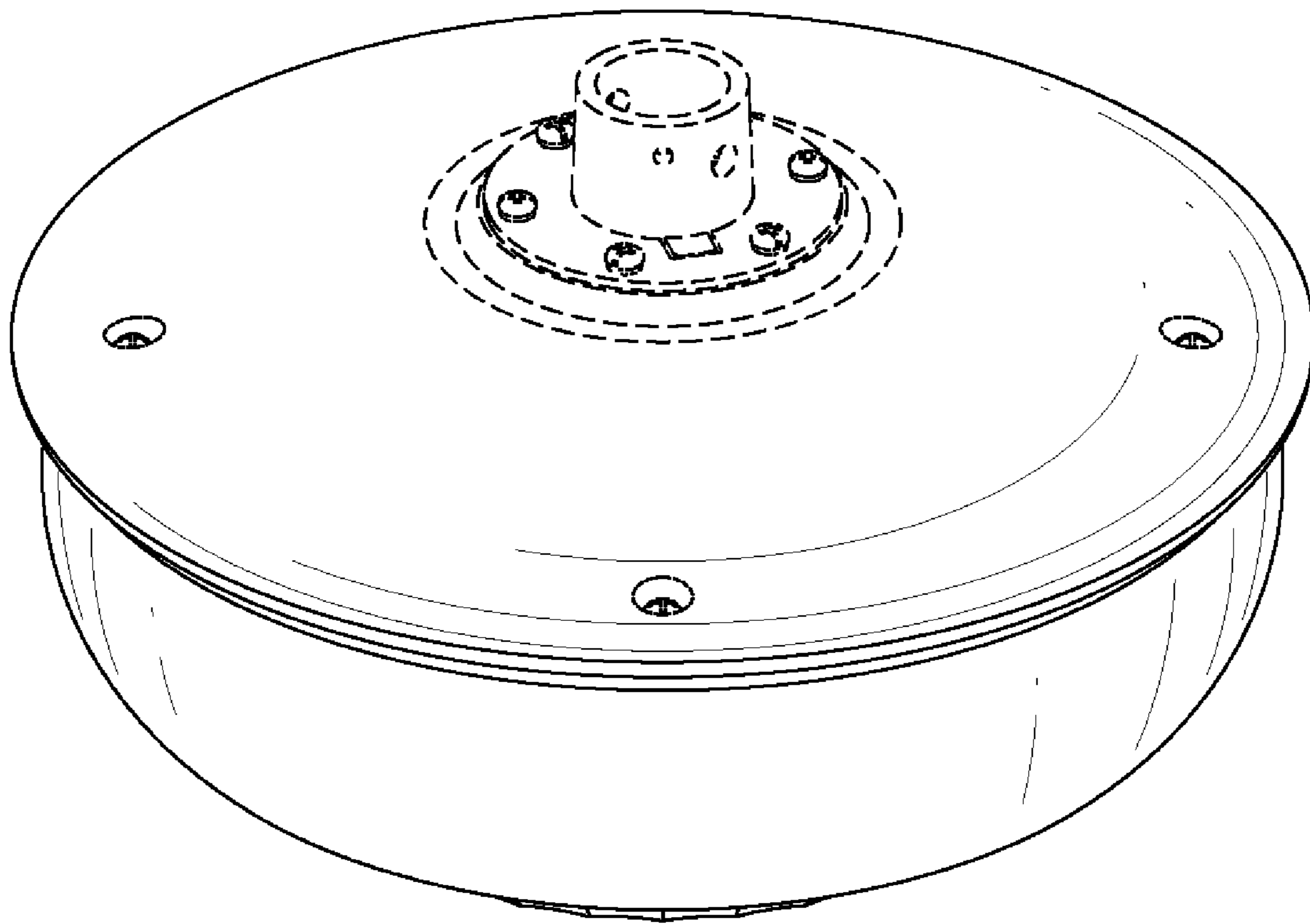


FIG. 1

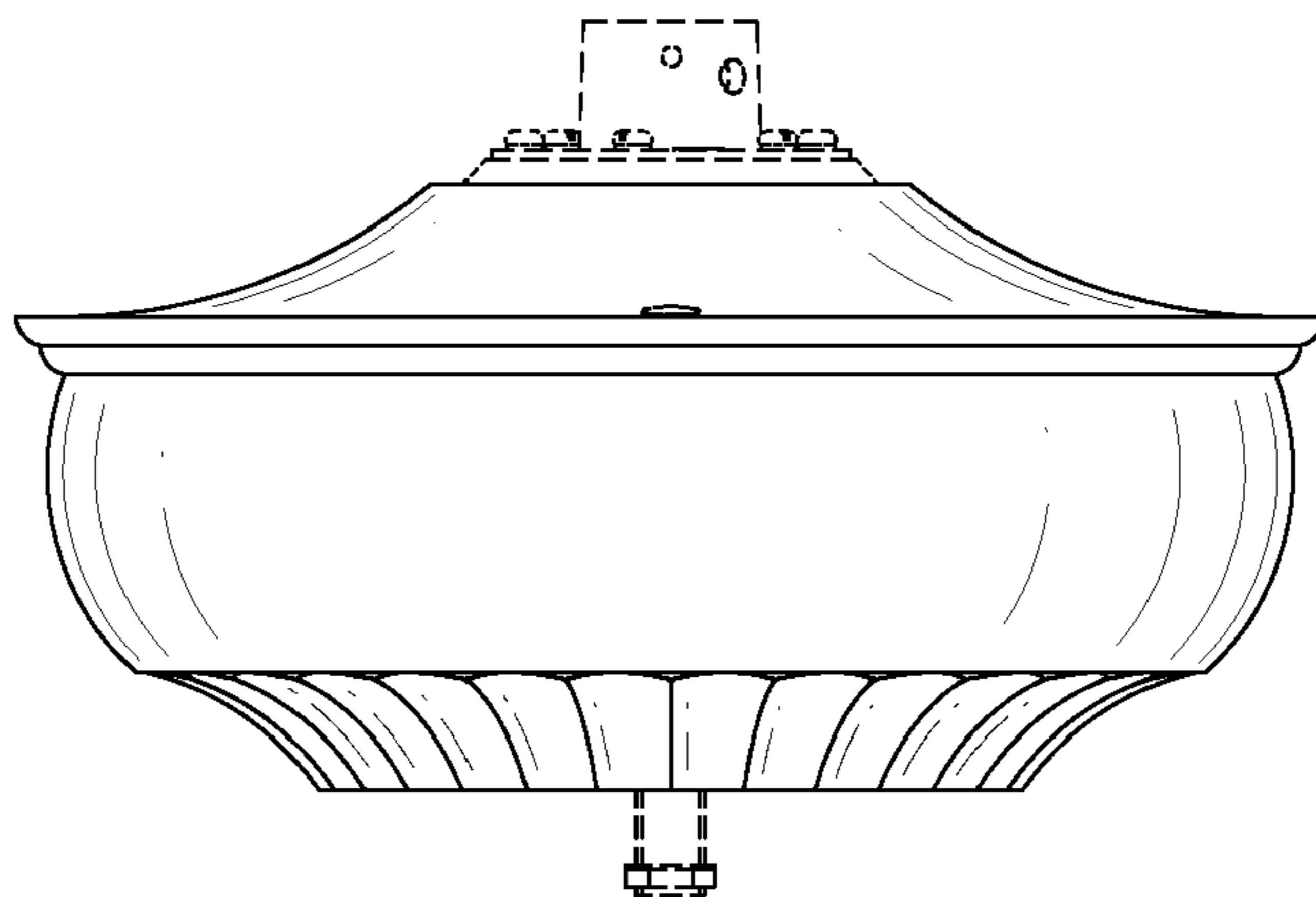


FIG. 2

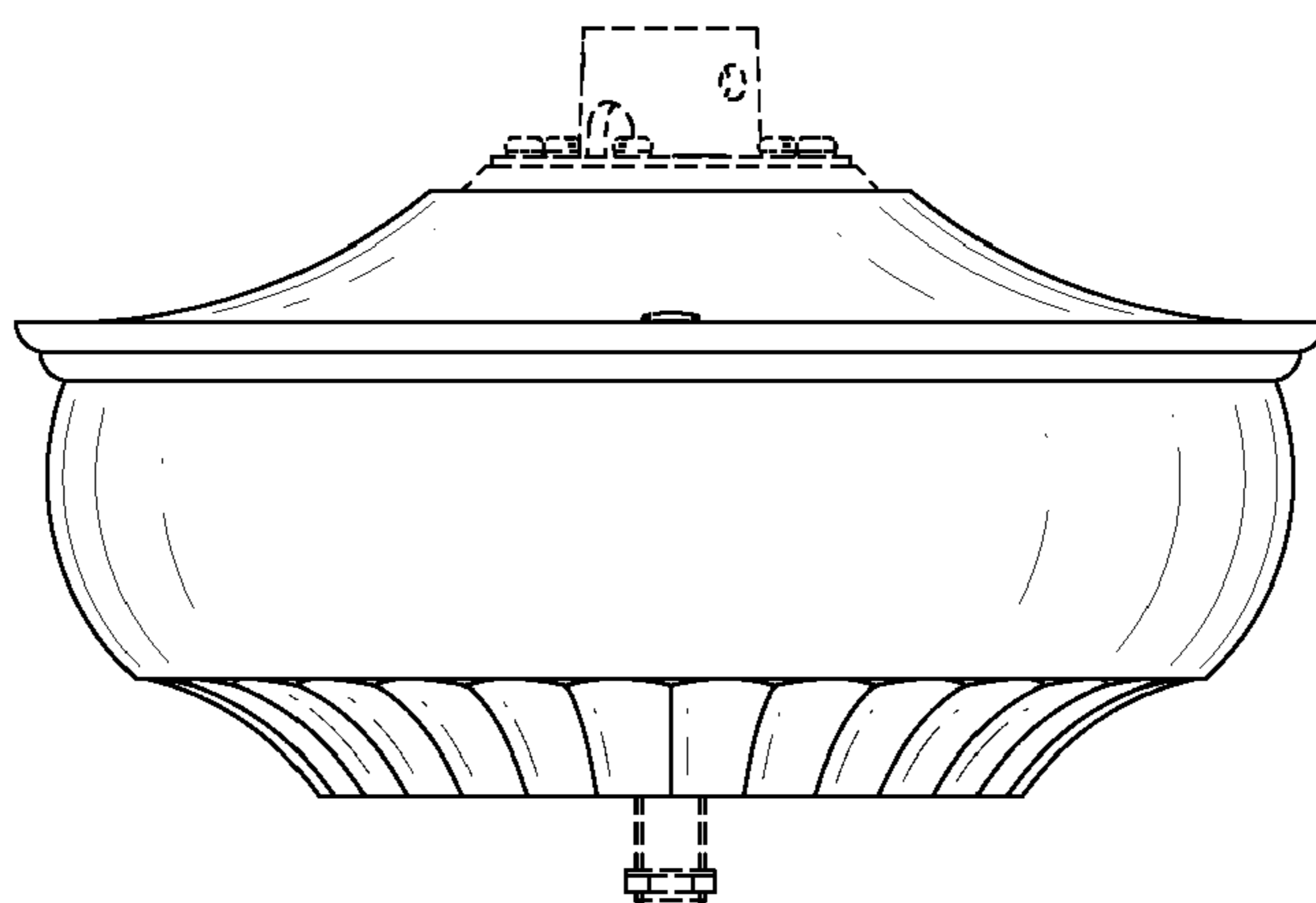


FIG. 3

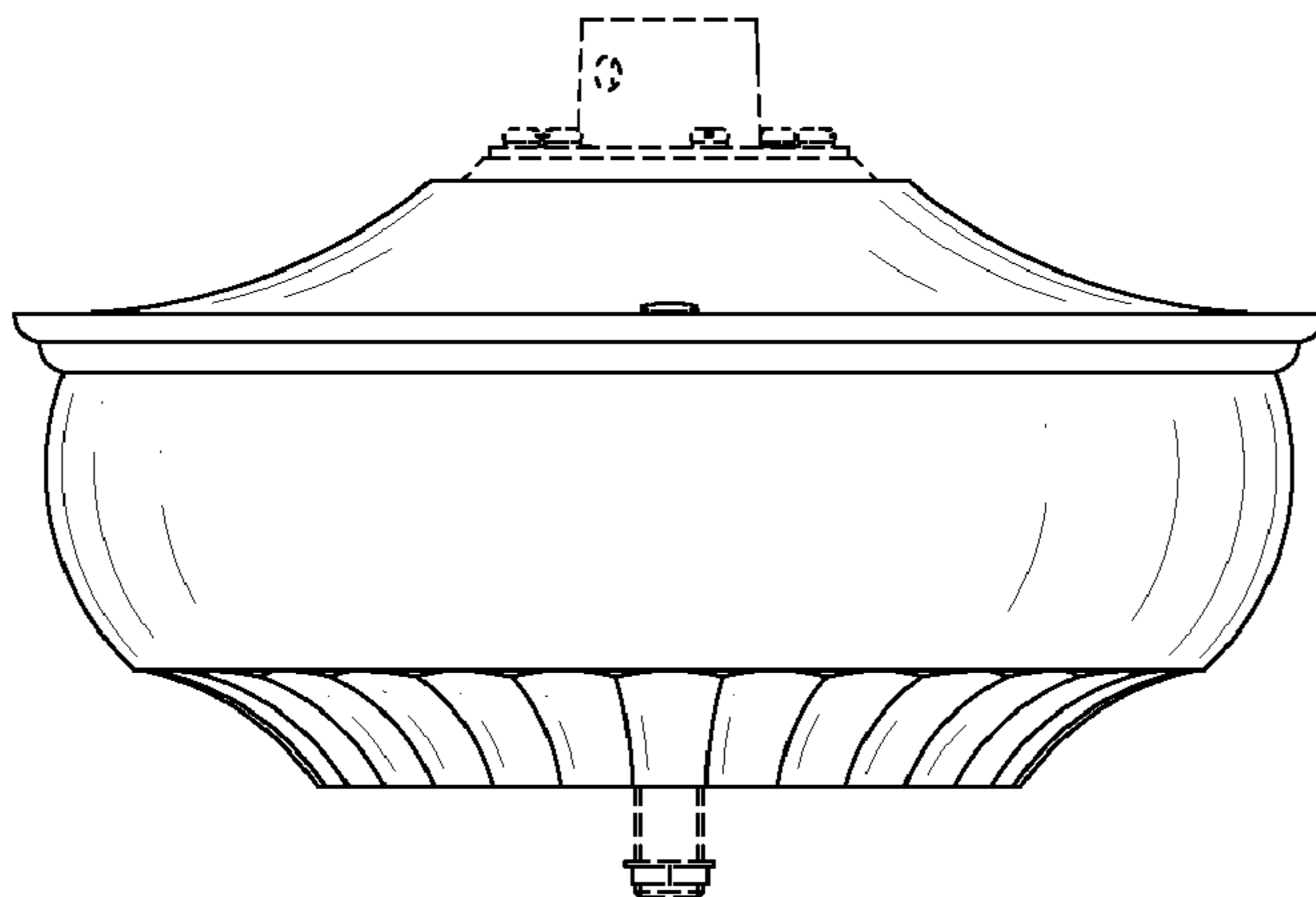


FIG. 4

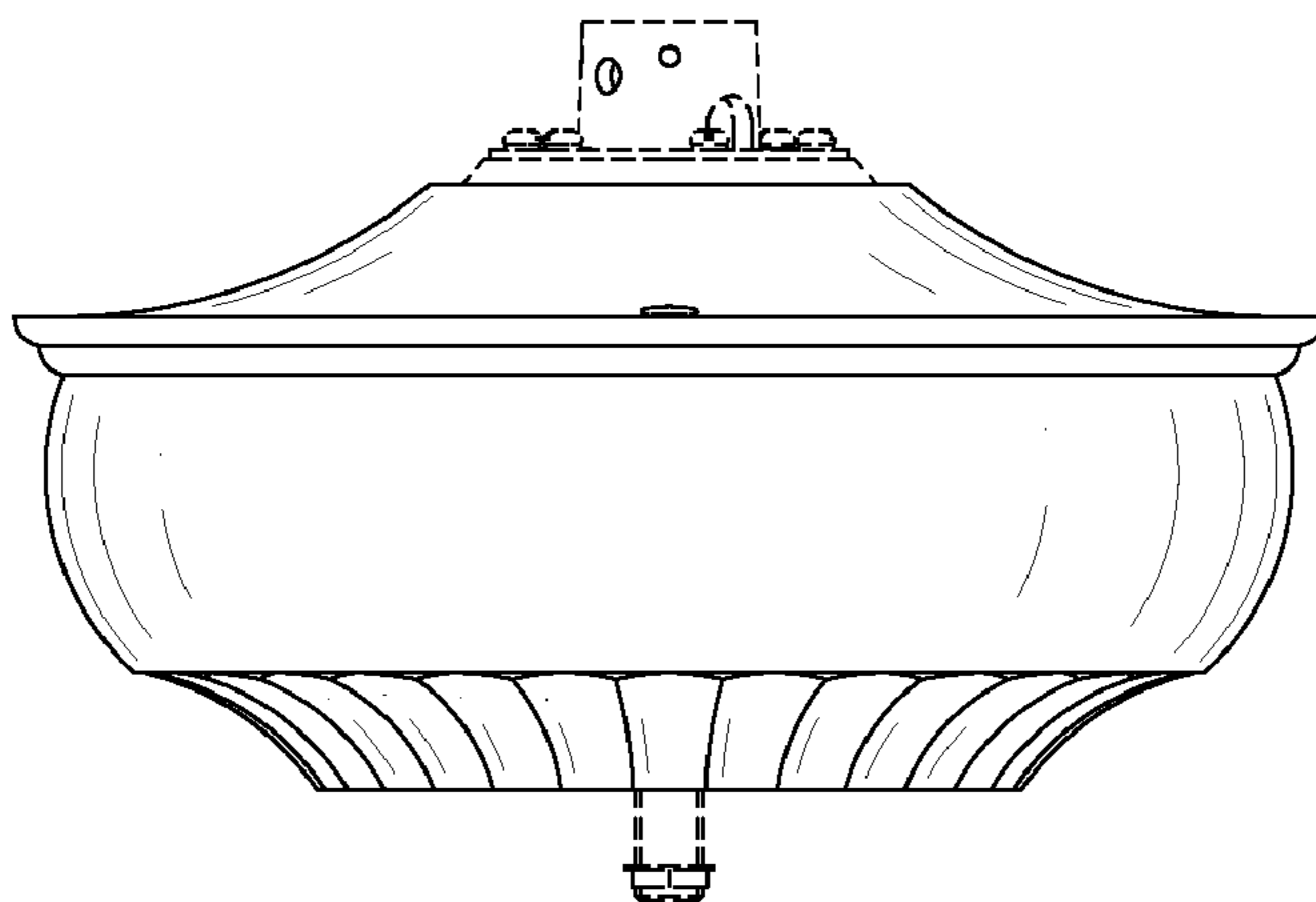


FIG. 5

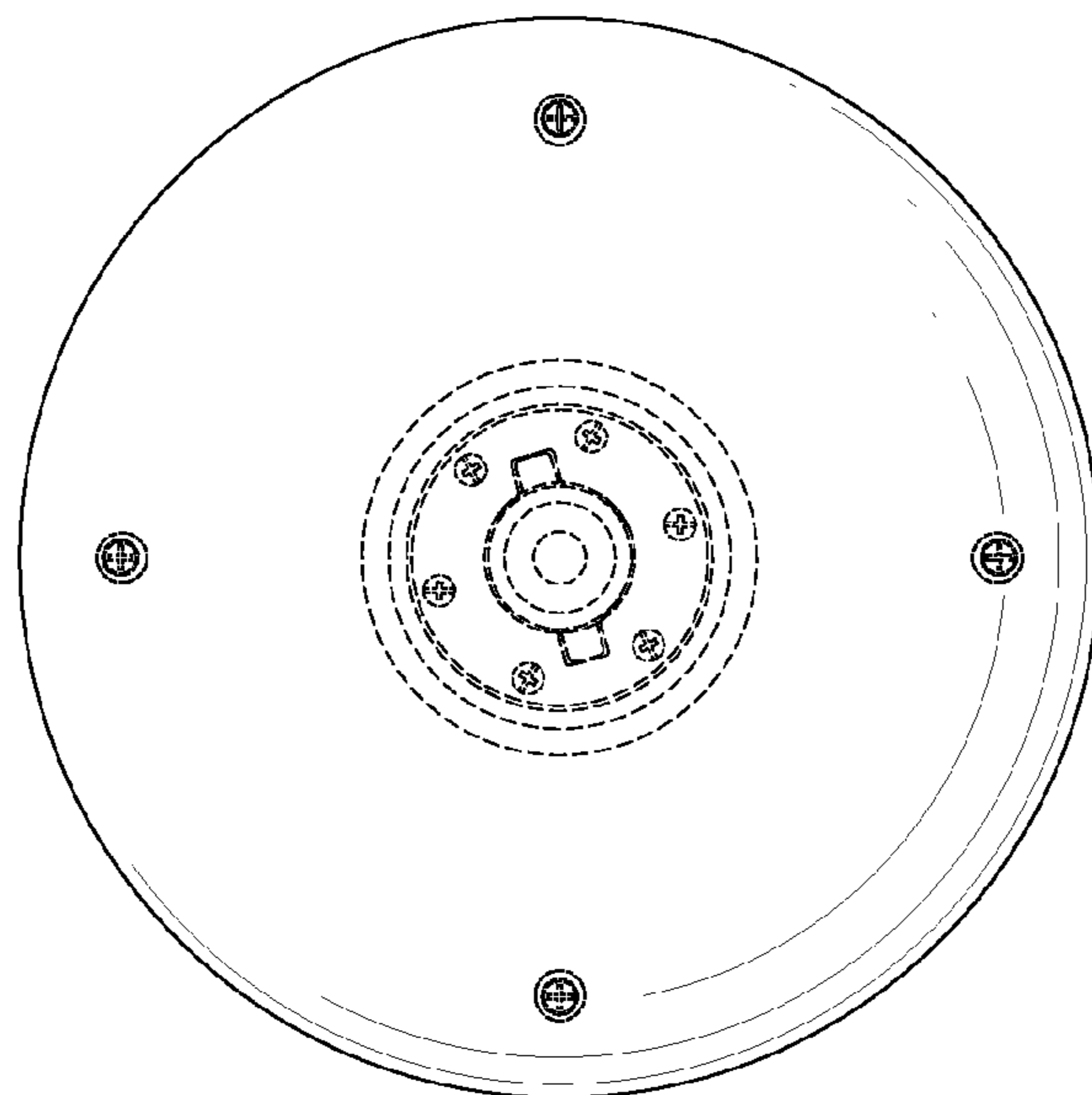


FIG. 6

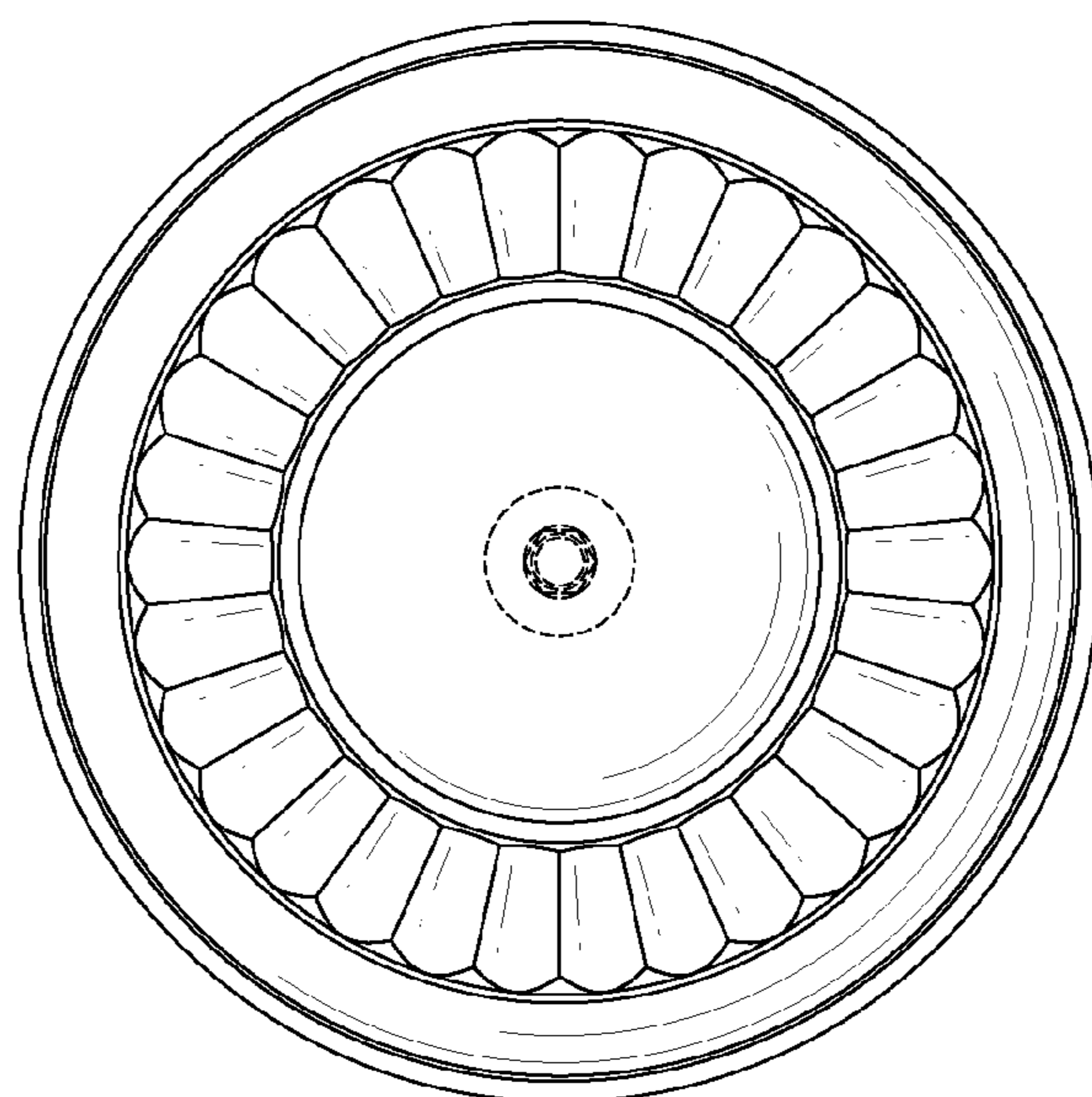


FIG. 7