



US00D626205S

(12) **United States Design Patent**
Fabregas et al.

(10) **Patent No.:** **US D626,205 S**
(45) **Date of Patent:** **** Oct. 26, 2010**

(54) **EVAPORATOR**

(75) Inventors: **Ruben Garcia Fabregas**, Barcelona (ES); **Daniel Tebe Poves**, Barcelona (ES); **David Moreno Perez**, Barcelona (ES)

(73) Assignee: **Zobeles Espana, S.A.** (ES)

(**) Term: **14 Years**

(21) Appl. No.: **29/337,372**

(22) Filed: **May 20, 2009**

(30) **Foreign Application Priority Data**

Nov. 21, 2008 (EP) 001042899

(51) **LOC (9) Cl.** **28-99**

(52) **U.S. Cl.** **D23/366**

(58) **Field of Classification Search** D23/355-369;
D28/5, 6; 261/DIG. 17, DIG. 42, DIG. 65,
261/DIG. 88, DIG. 89; 392/386, 390, 391,
392/392, 394, 395; 239/34, 25, 43-45, 53,
239/56, 57, 60, 326

See application file for complete search history.

(56) **References Cited**

U.S. PATENT DOCUMENTS

D437,636 S * 2/2001 Basaganas D23/366
D465,019 S * 10/2002 Wu D23/366
D477,660 S * 7/2003 Pampalona Gelonch et al. D23/
368
D480,792 S * 10/2003 Millan D23/366
D481,787 S * 11/2003 Millan D23/366
D485,340 S * 1/2004 Wu D23/366
D485,341 S * 1/2004 Wu D23/366
D511,823 S * 11/2005 Caserta et al. D23/366

6,976,637 B2 * 12/2005 Massimo 239/44
D529,162 S * 9/2006 Bulsink D23/366
D534,265 S * 12/2006 Weggelaar D23/366
D535,001 S * 1/2007 Caserta et al. D23/366
D535,734 S * 1/2007 Caserta et al. D23/366
D544,951 S * 6/2007 Zobeles D23/366
D551,750 S * 9/2007 Wefler D23/366
D561,319 S * 2/2008 Weggelaar D23/366
D568,455 S * 5/2008 Friedman et al. D23/366
D574,941 S * 8/2008 Weggelaar D23/366
D586,900 S * 2/2009 Weggelaar D23/366
2007/0119963 A1 * 5/2007 DiBello et al. 239/34

* cited by examiner

Primary Examiner—Sandra Snapp

(74) *Attorney, Agent, or Firm*—Cantor Colburn LLP

(57) **CLAIM**

I claim, the ornamental design for an evaporator, as shown and described.

DESCRIPTION

FIG. 1 is a front perspective view of an evaporator showing my new design;

FIG. 2 is a front elevation view thereof;

FIG. 3 is a side elevation view thereof;

FIG. 4 is top plan view thereof;

FIG. 5 is a rear elevation view thereof;

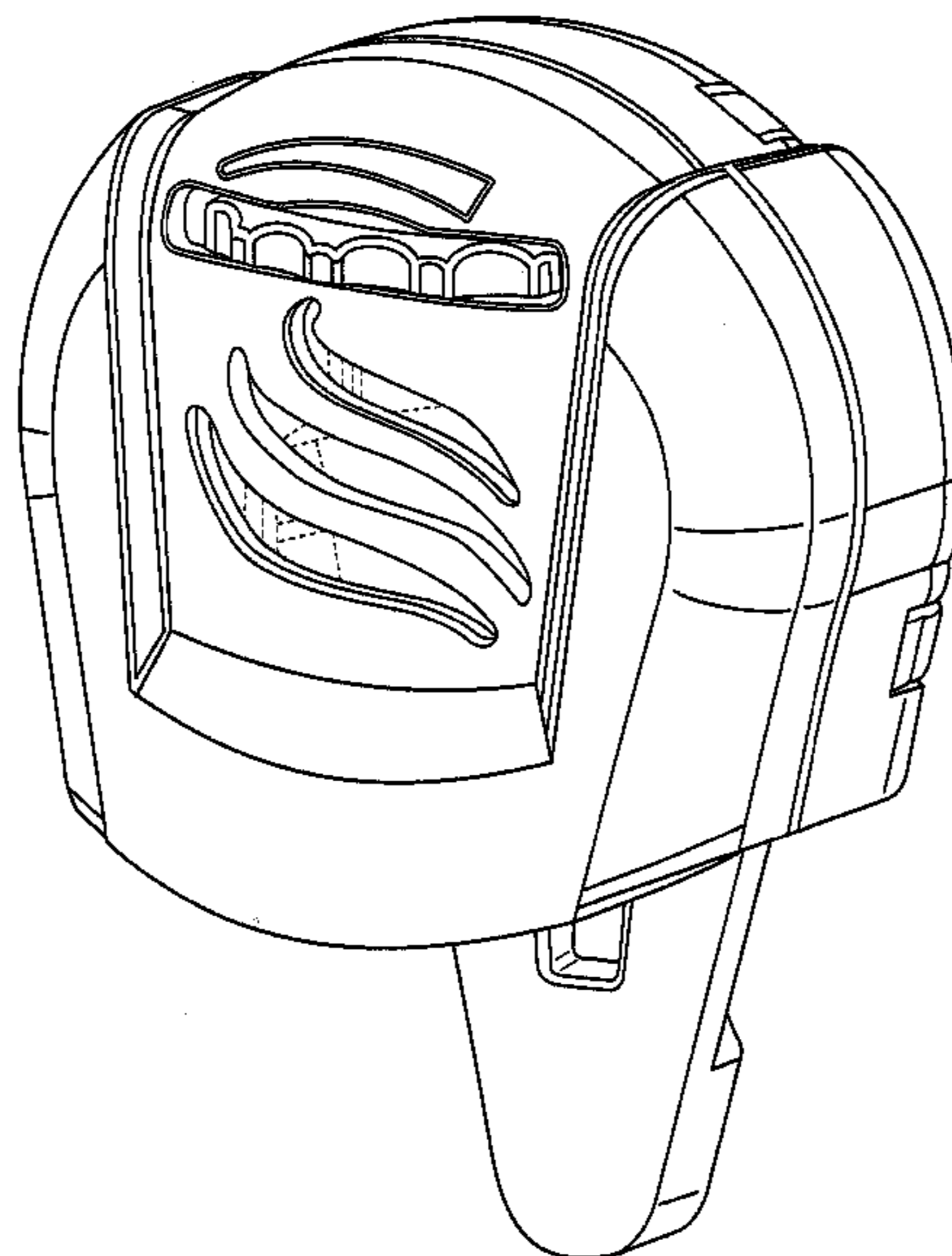
FIG. 6 is an opposite side elevation view thereof;

FIG. 7 is a bottom view thereof; and,

FIG. 8 is a rear perspective view thereof.

The broken lines shown in the drawings are for illustrative purposes only and form no part of the claimed design.

1 Claim, 8 Drawing Sheets



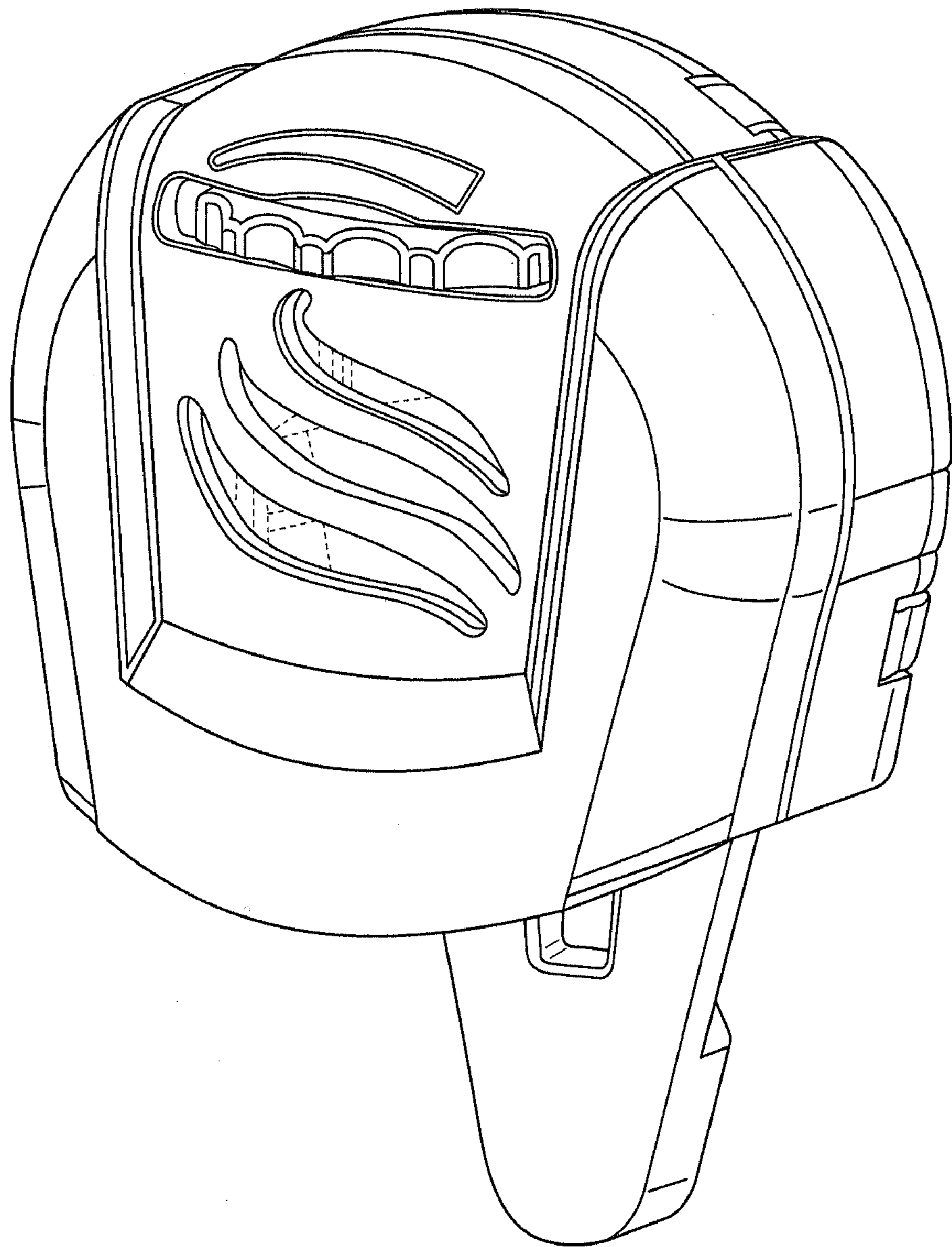


FIG. 1

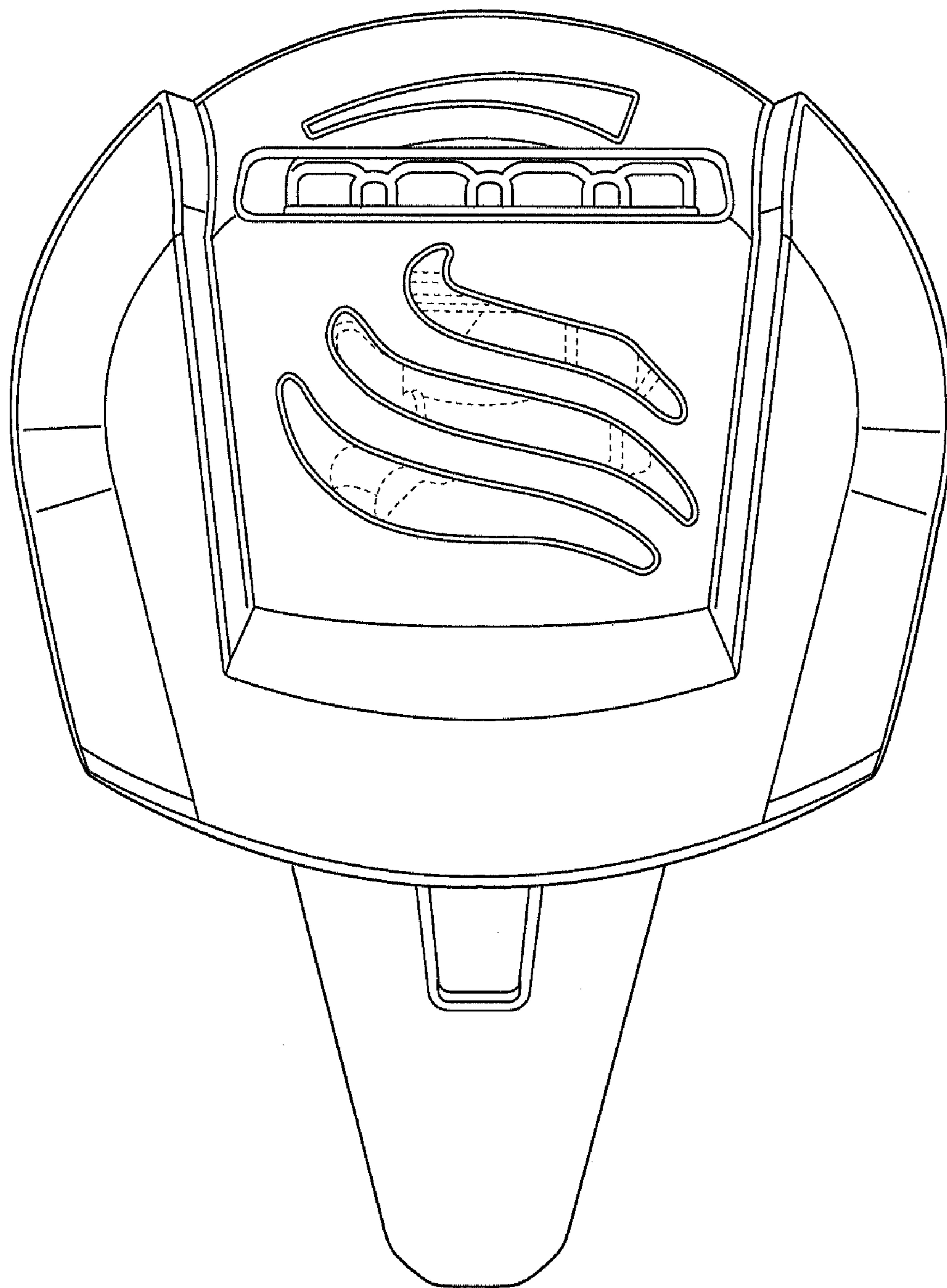


FIG. 2

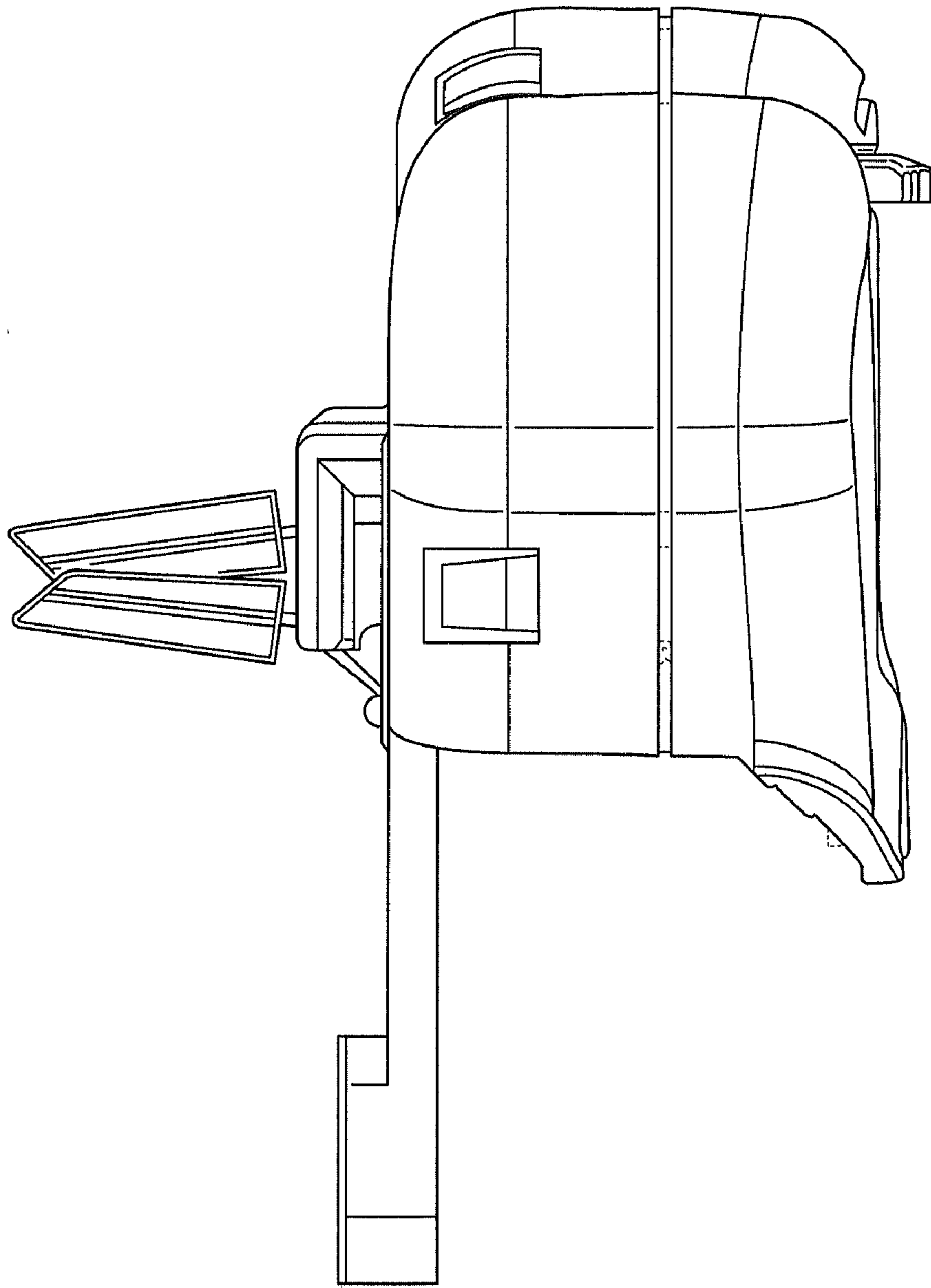


FIG. 3

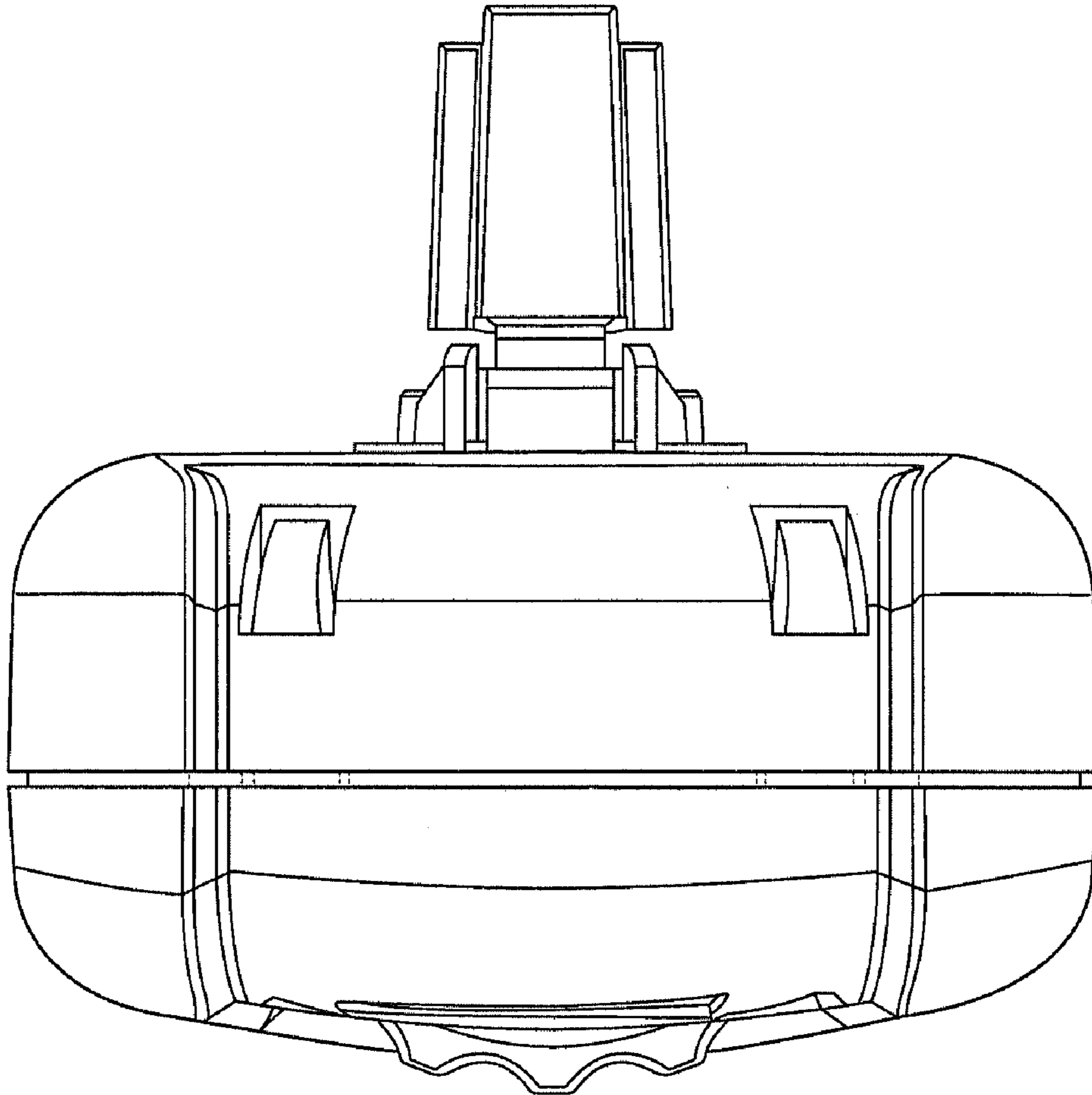


FIG. 4

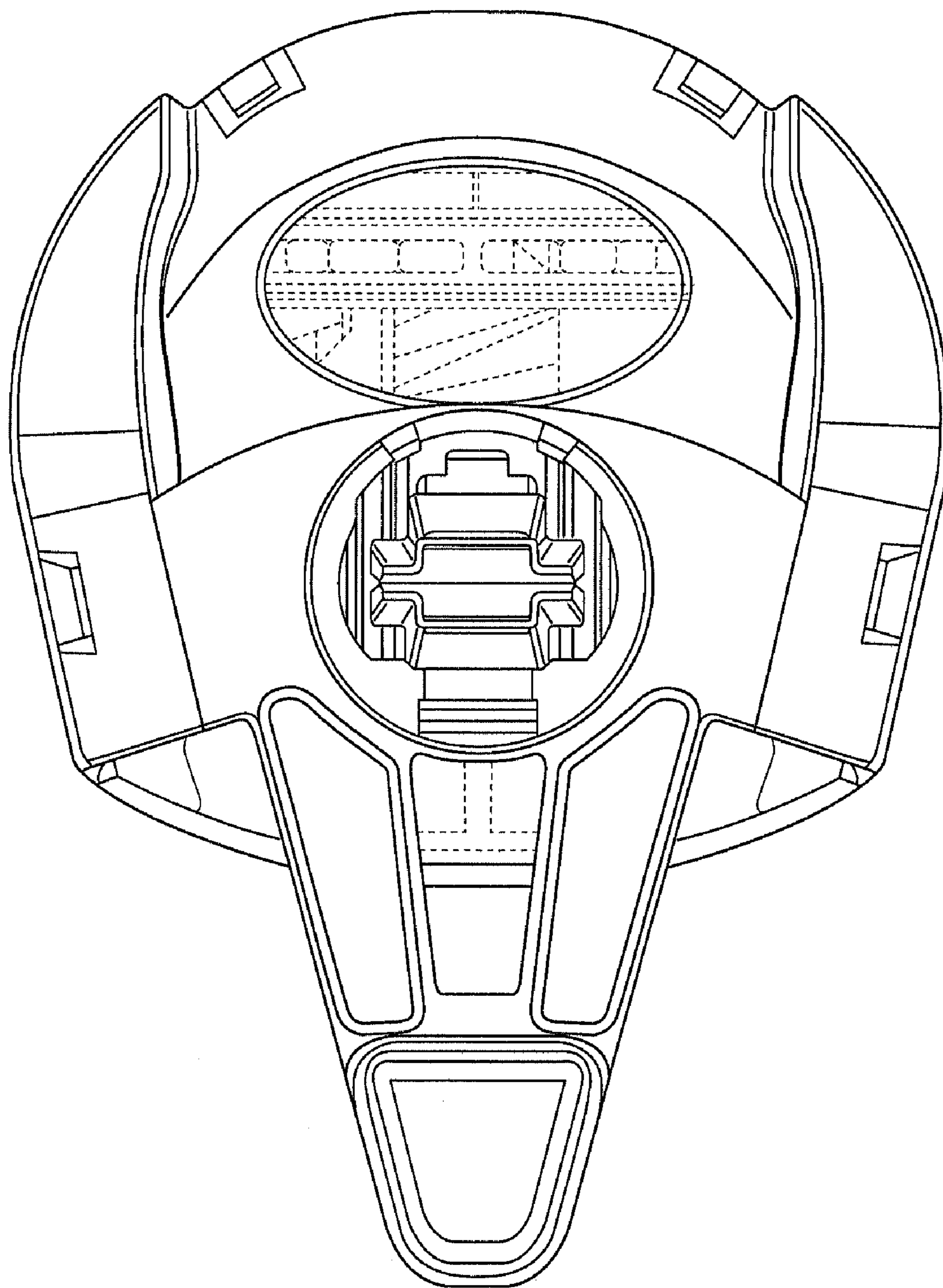


FIG. 5

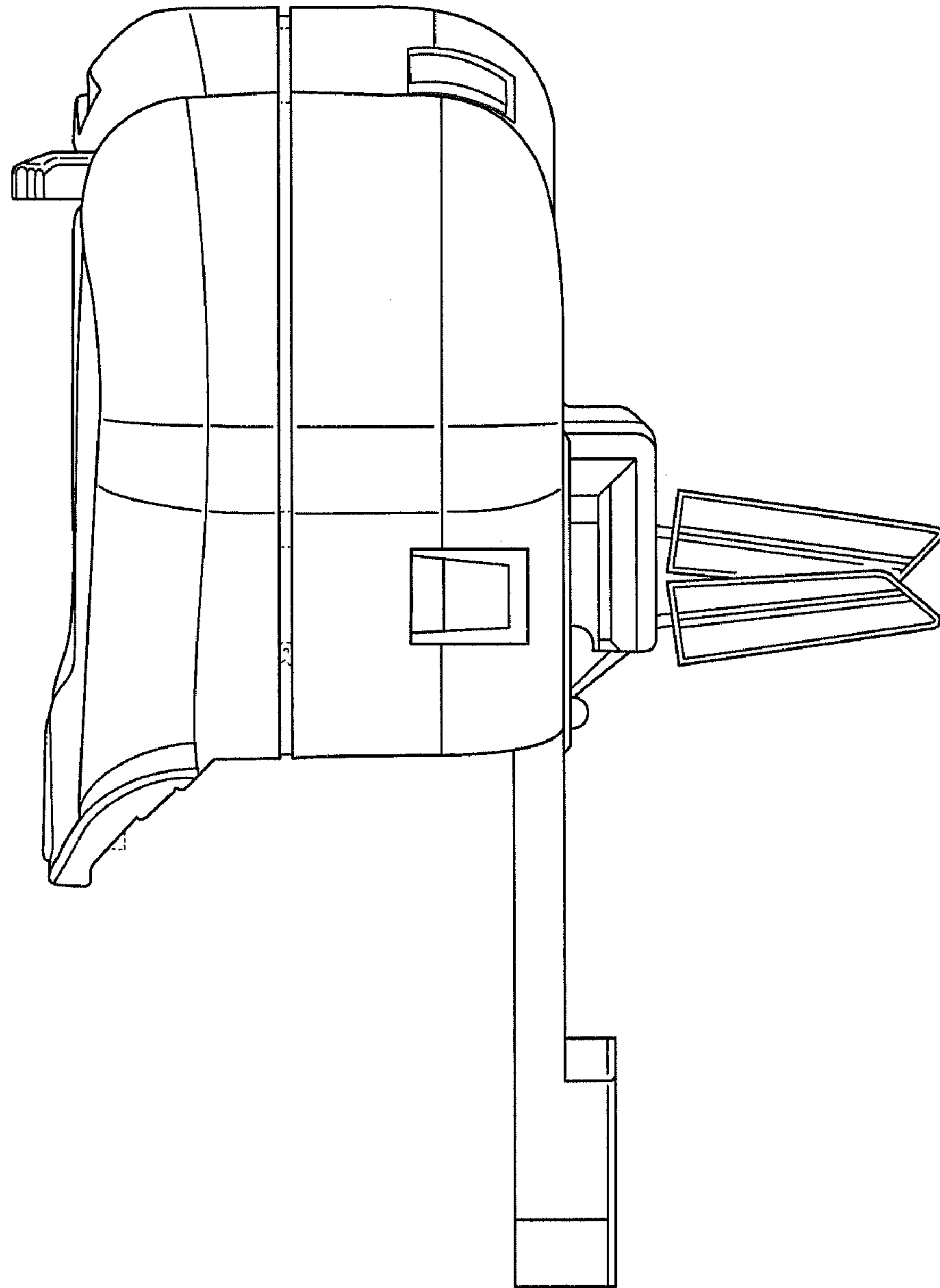


FIG. 6

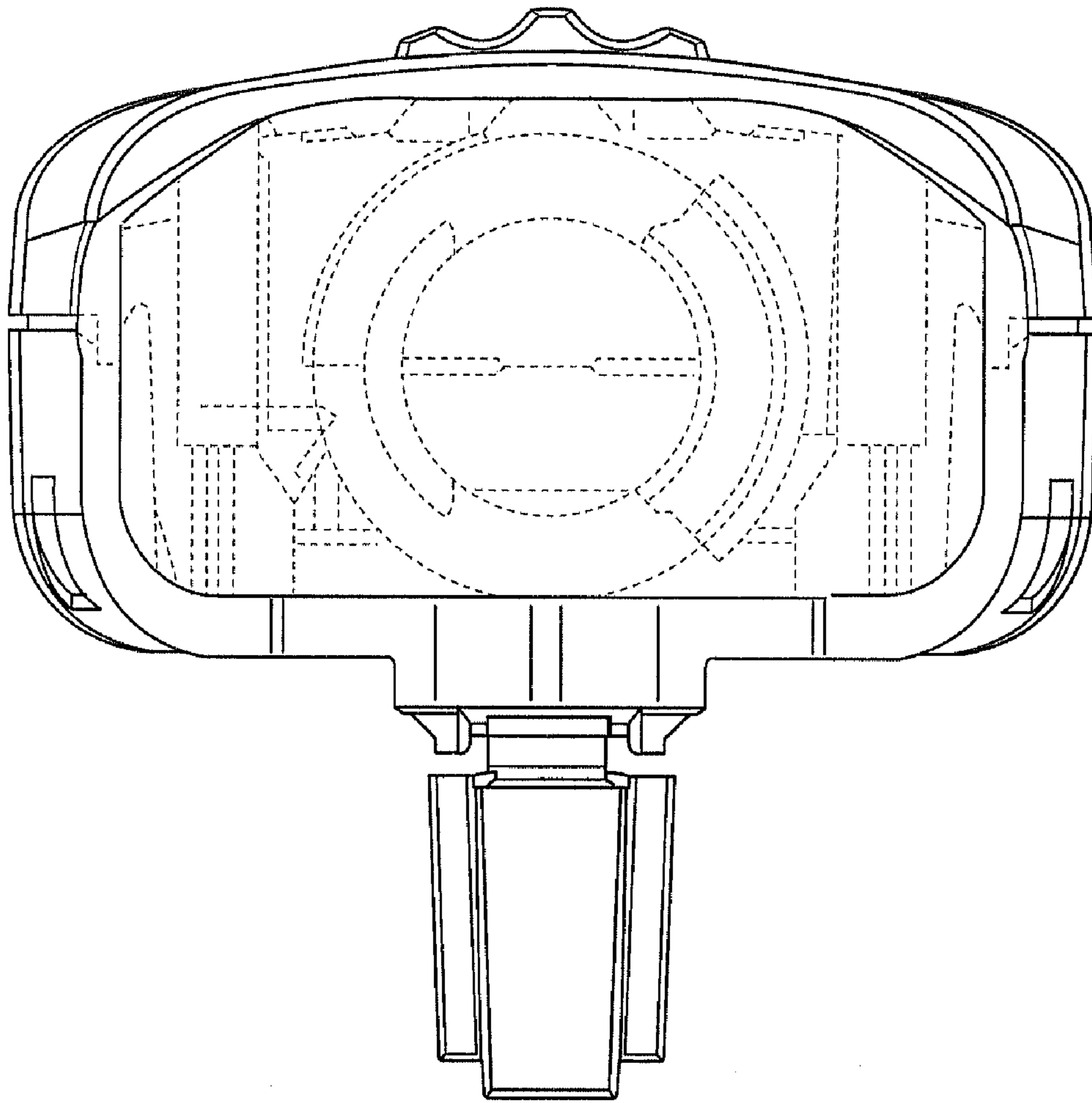


FIG. 7

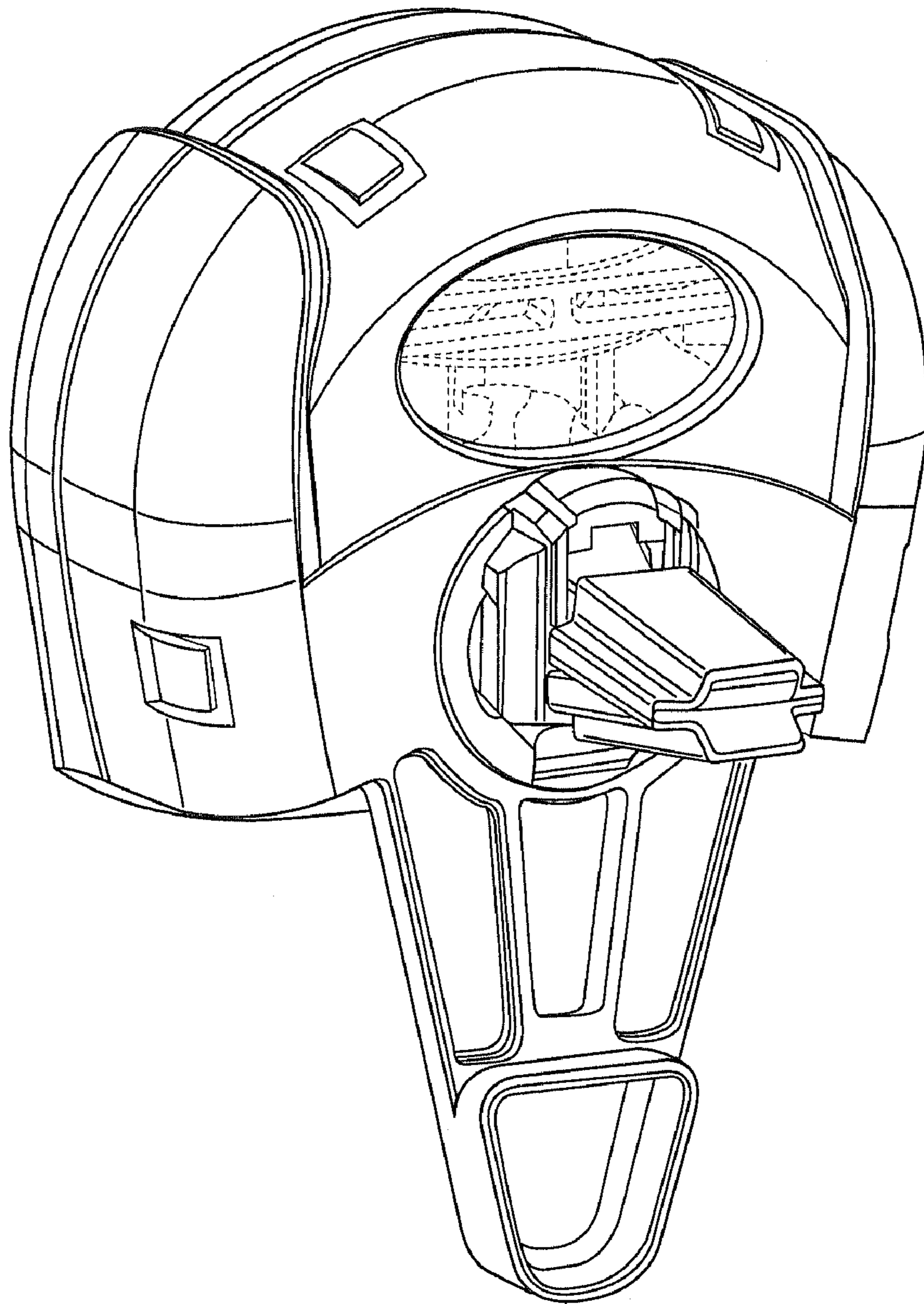


FIG. 8