



US00D626202S

(12) **United States Design Patent**
Porter et al.

(10) **Patent No.:** **US D626,202 S**
(45) **Date of Patent:** **** *Oct. 26, 2010**

(54) **PIPE COUPLING**

(75) Inventors: **Michael V. Porter**, Easton, PA (US);
Scott D. Madara, Nazareth, PA (US);
Amit R. Shah, Quakertown, PA (US)

(73) Assignee: **Victaulic Company**, Easton, PA (US)

(*) Notice: This patent is subject to a terminal disclaimer.

(**) Term: **14 Years**

(21) Appl. No.: **29/363,099**

(22) Filed: **Jun. 4, 2010**

Related U.S. Application Data

(62) Division of application No. 29/345,573, filed on Oct. 19, 2009.

(51) **LOC (9) Cl.** **23-01**

(52) **U.S. Cl.** **D23/262**

(58) **Field of Classification Search** D23/259-269;
285/340, 367, 373, 404, 53, 915; D8/396;
403/291, 300; 411/5, 10; 137/801

See application file for complete search history.

(56) **References Cited**

U.S. PATENT DOCUMENTS

1,851,574 A	3/1932	Fiederlein
D142,057 S	8/1945	Baxter
D142,834 S	11/1945	Campbell
D168,928 S	3/1953	English
2,752,173 A	6/1956	Kroos
4,218,080 A	8/1980	Kendrick
4,408,788 A	10/1983	Beukema
D287,532 S	12/1986	Jones et al.
4,896,902 A	1/1990	Weston
4,966,395 A	10/1990	Hendrickson
5,058,931 A	10/1991	Bowsher

D334,050 S	3/1993	Foxlee
D339,975 S	10/1993	Bird et al.
5,911,446 A	6/1999	McLennan et al.
6,076,861 A	6/2000	Ikeda
6,170,884 B1	1/2001	McLennan et al.

(Continued)

OTHER PUBLICATIONS

U.S. Appl. No. 29/363,094, filed Jun. 14, 2010, Scott D. Madara.

(Continued)

Primary Examiner—T. Chase Nelson
Assistant Examiner—Eric L Goodman
(74) *Attorney, Agent, or Firm*—Ballard Spahr LLP

(57) **CLAIM**

We claim the ornamental design for a pipe coupling, as shown and described.

DESCRIPTION

FIG. 1 is an isometric view of our design for a pipe coupling; FIG. 2 is a front view of the design for a pipe coupling shown in FIG. 1, the rear view being identical;

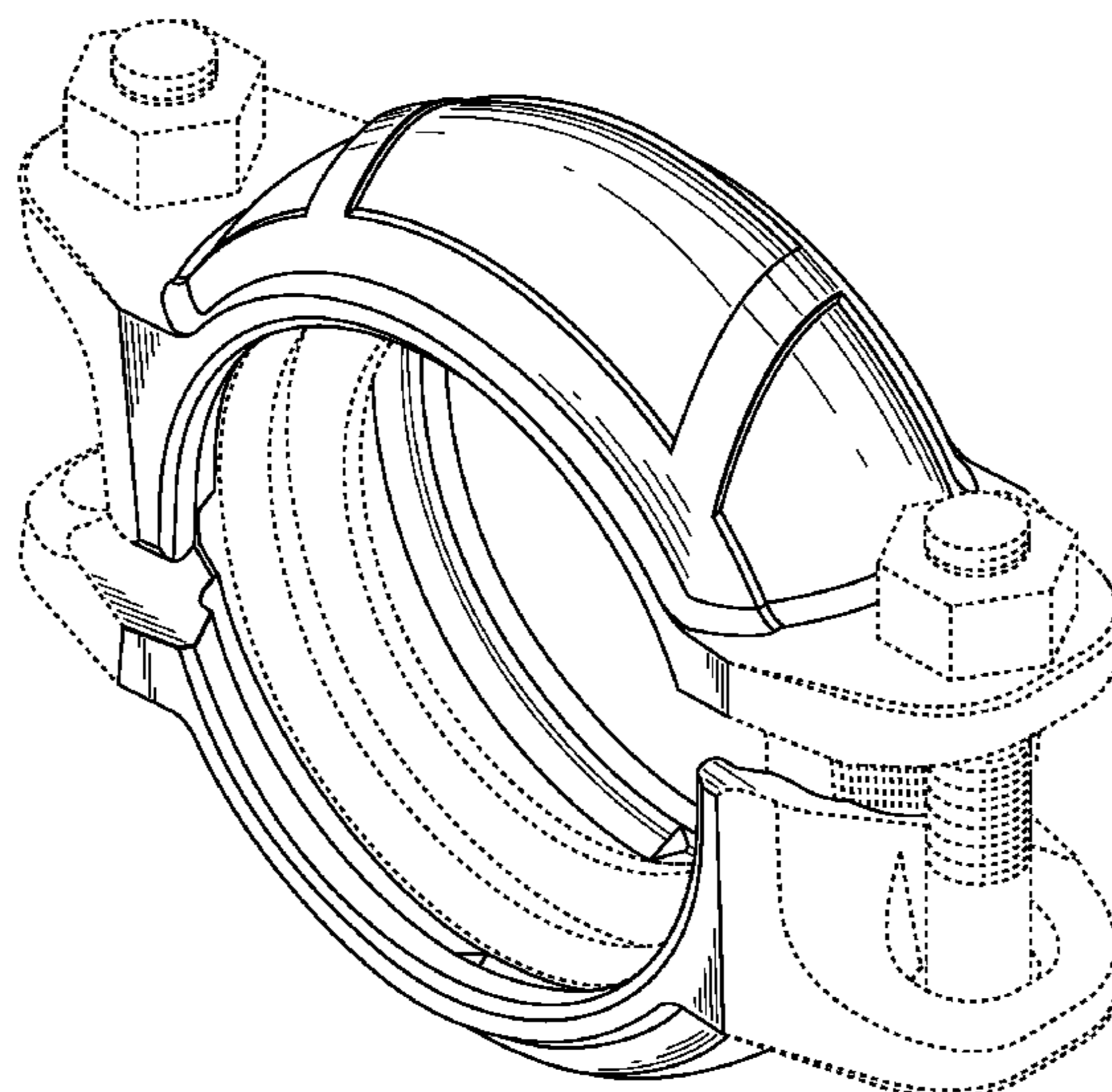
FIG. 3 is a top view of the design for a pipe coupling shown in FIG. 1;

FIG. 4 is a bottom view of the design for a pipe coupling shown in FIG. 1; and,

FIG. 5 is a left side view of for the design for a pipe coupling shown in FIG. 1, the right side view being identical.

The broken lines in FIGS. 1-5 are for illustrative purposes only and form no part of the claimed design.

1 Claim, 2 Drawing Sheets



US D626,202 S

Page 2

U.S. PATENT DOCUMENTS

6,626,466 B1 9/2003 Dole
7,086,131 B2 8/2006 Gibb et al.
7,090,259 B2 8/2006 Dole
D558,307 S 12/2007 Gibb et al.
D560,764 S 1/2008 Gibb et al.
D568,451 S 5/2008 Gibb et al.
D570,458 S 6/2008 Gibb et al.
D583,444 S 12/2008 Nagle et al.
D583,914 S 12/2008 Pierce et al.
D583,916 S 12/2008 Madara et al.
D587,349 S 2/2009 Madara et al.
D590,923 S 4/2009 Nagle et al.
D590,924 S 4/2009 Nagle et al.
D590,925 S 4/2009 Nagle et al.
D595,815 S 7/2009 Pierce et al.
D613,377 S * 4/2010 Shah et al. D23/262
D614,269 S * 4/2010 Henry et al. D23/262

D616,532 S * 5/2010 Madara et al. D23/262
D616,533 S * 5/2010 Bowman et al. D23/262
7,722,087 B2 * 5/2010 Dole et al. 285/112
D616,967 S * 6/2010 Madara et al. D23/262
D616,968 S * 6/2010 Bowman et al. D23/262
D618,312 S * 6/2010 Madara et al. D23/262
D618,313 S * 6/2010 Madara et al. D23/262
D618,314 S * 6/2010 Bowman et al. D23/262
D618,315 S * 6/2010 Bowman et al. D23/262
2005/0242585 A1 11/2005 Dole et al.
2008/0284161 A1 11/2008 Dole et al.
2010/0102549 A1 * 4/2010 Radzik 285/112

OTHER PUBLICATIONS

Asian Sources Hardware (Apr. 2006), p. 187.
US 3,694,638, 10/1972, Blakeley (withdrawn)

* cited by examiner

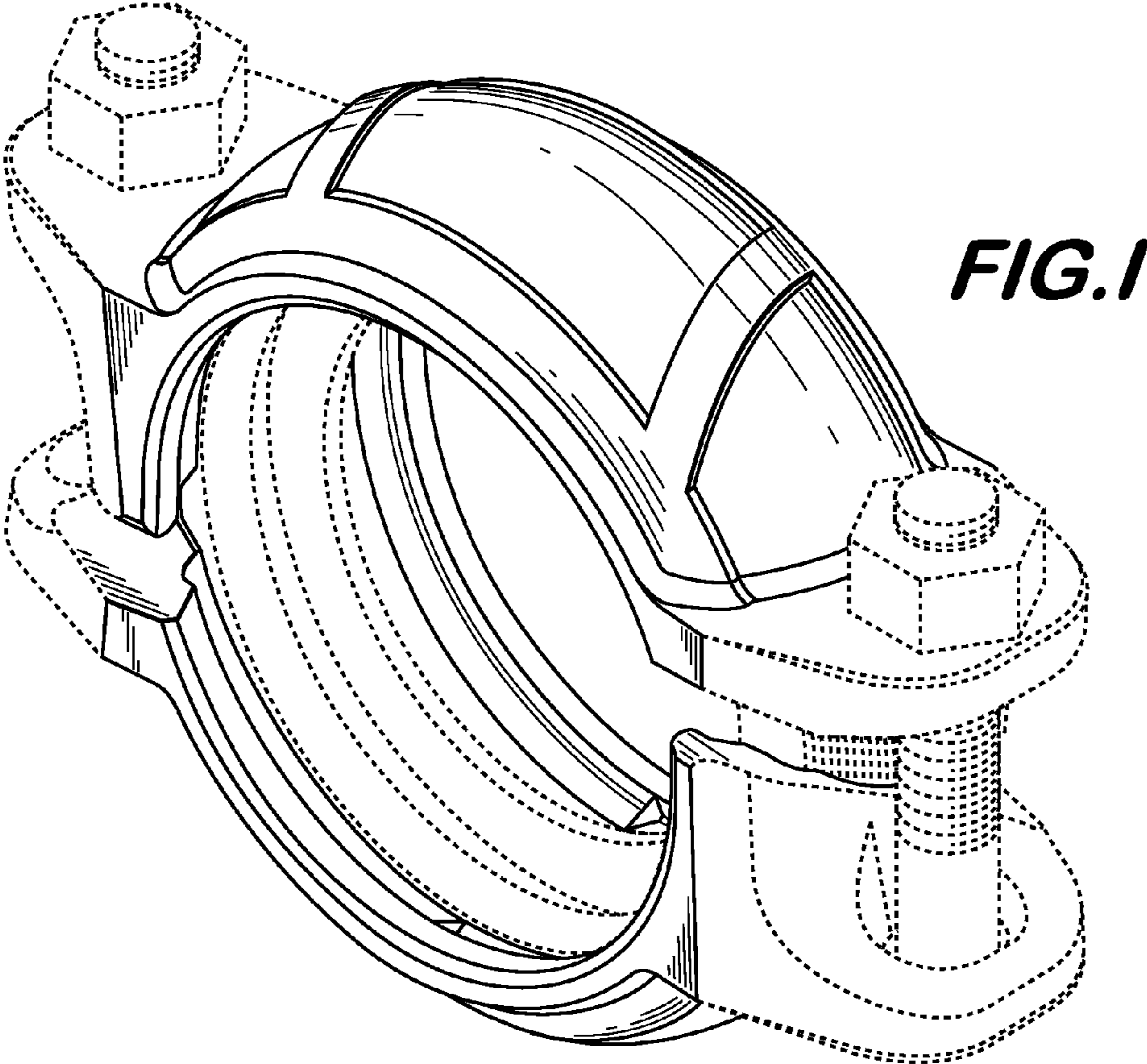


FIG. 1

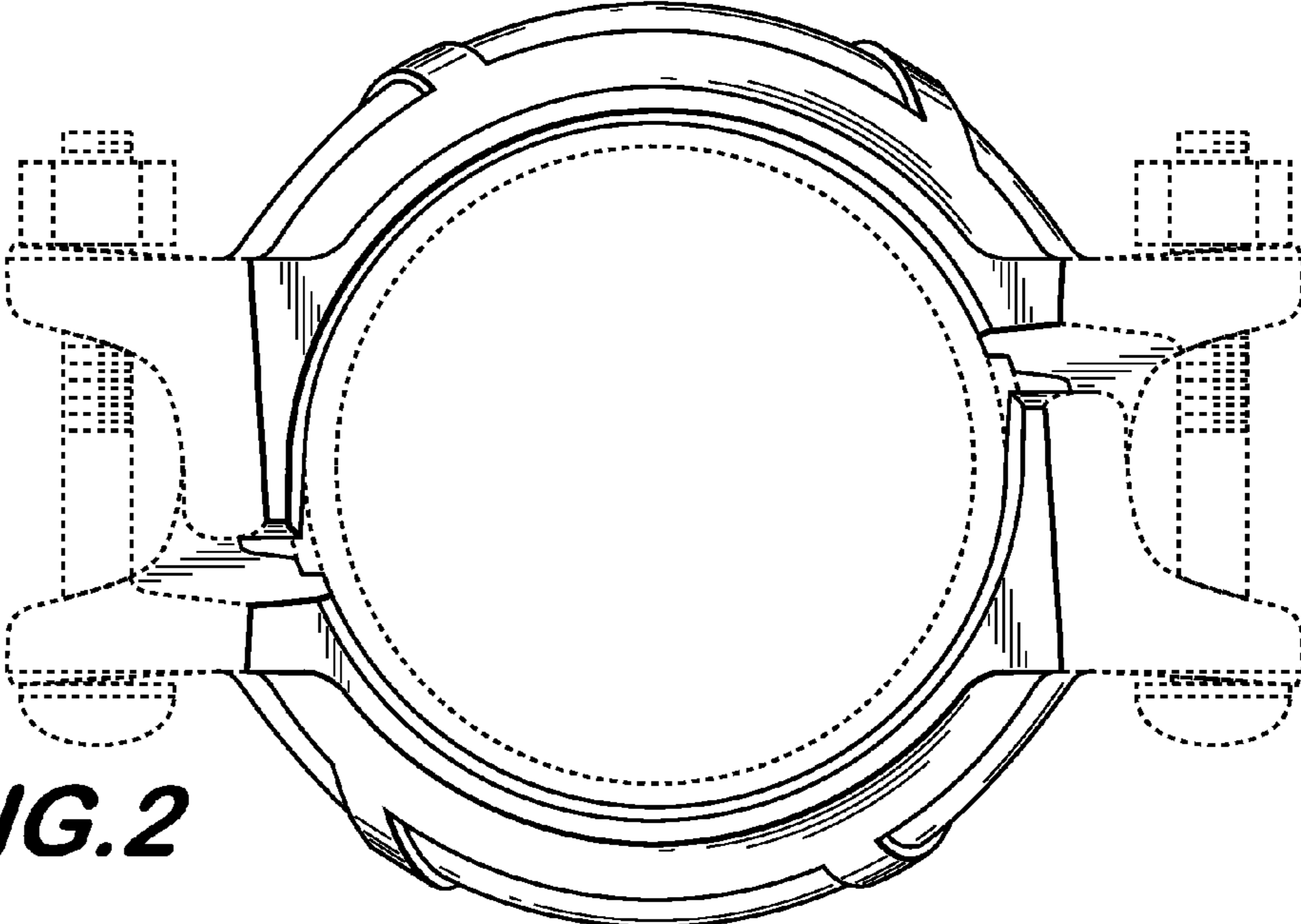


FIG. 2

FIG. 3

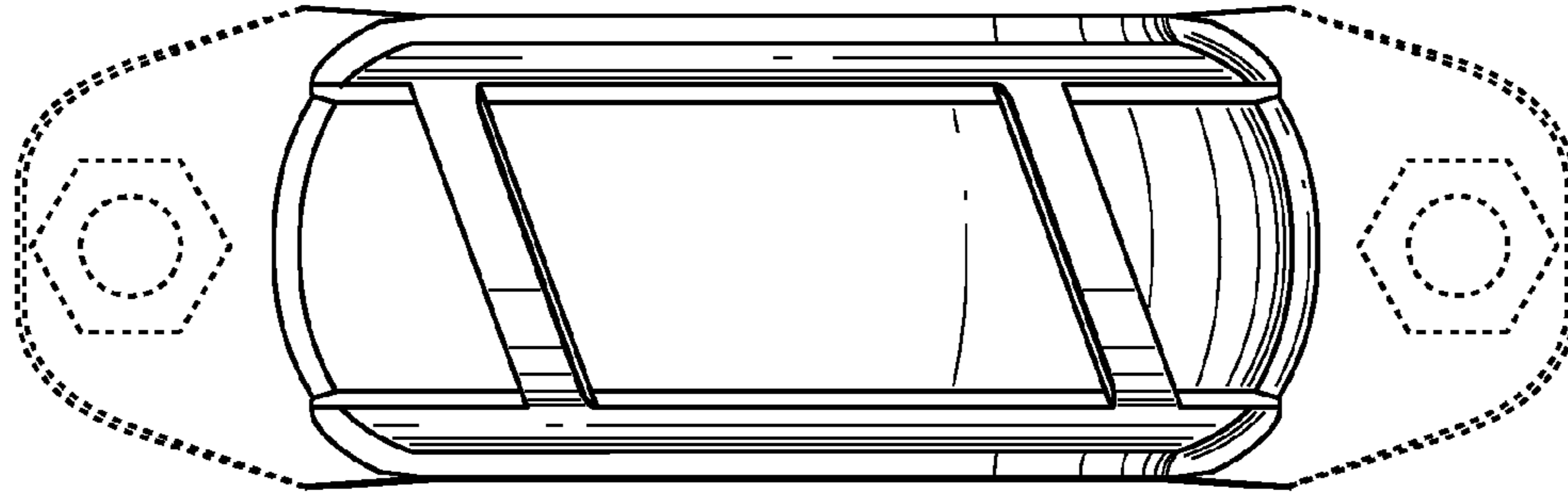


FIG. 4

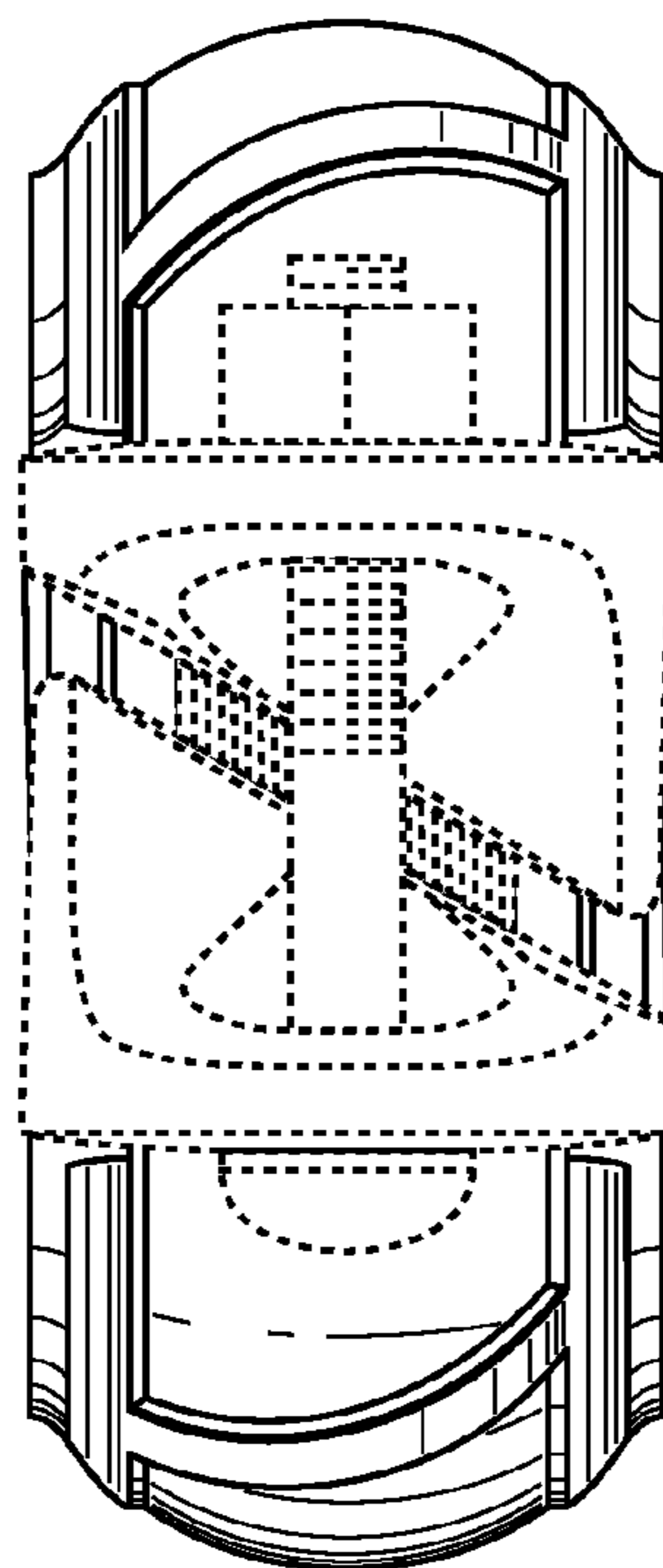
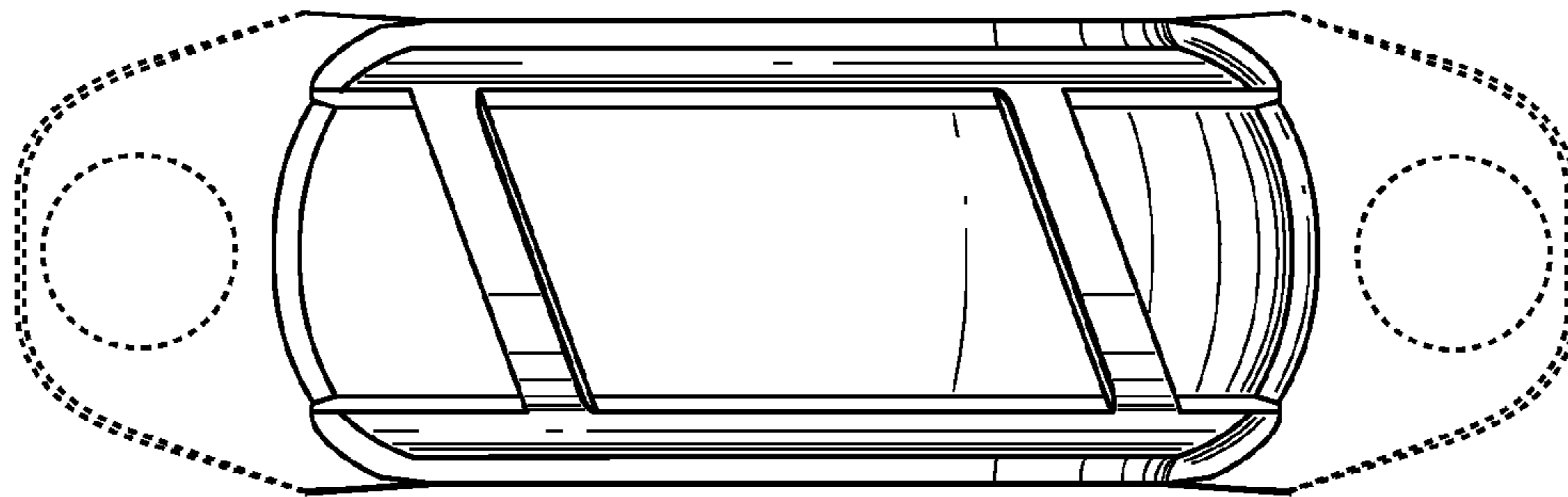


FIG. 5