



US00D626199S

(12) **United States Design Patent**  
**Huang**

(10) **Patent No.:** **US D626,199 S**

(45) **Date of Patent:** **\*\* Oct. 26, 2010**

(54) **FAUCET SPOUT**

(76) Inventor: **Li-Chen Huang**, 594, Sec. 3, Lu Ho Rd.,  
Lu Kang Chen, Changhua Hsien (TW)

(\*\*) Term: **14 Years**

(21) Appl. No.: **29/351,988**

(22) Filed: **Dec. 15, 2009**

(51) **LOC (9) Cl.** ..... **23-01**

(52) **U.S. Cl.** ..... **D23/255**

(58) **Field of Classification Search** ..... D23/238-243,  
D23/255-257; 4/676-678; 137/801  
See application file for complete search history.

(56) **References Cited**

U.S. PATENT DOCUMENTS

D531,280 S *	10/2006	Kohler et al.	.....	D23/255
D546,424 S *	7/2007	Kohler et al.	.....	D23/255
D551,326 S *	9/2007	Zhu	.....	D23/257

\* cited by examiner

*Primary Examiner*—Robert A Delehanty  
(74) *Attorney, Agent, or Firm*—Alan Kamrath; Kamrath &  
Associates PA

(57) **CLAIM**

The ornamental design for a faucet spout, as shown and described.

**DESCRIPTION**

FIG. 1 is a perspective view of a faucet spout showing my design;

FIG. 2 is a front elevational view thereof;

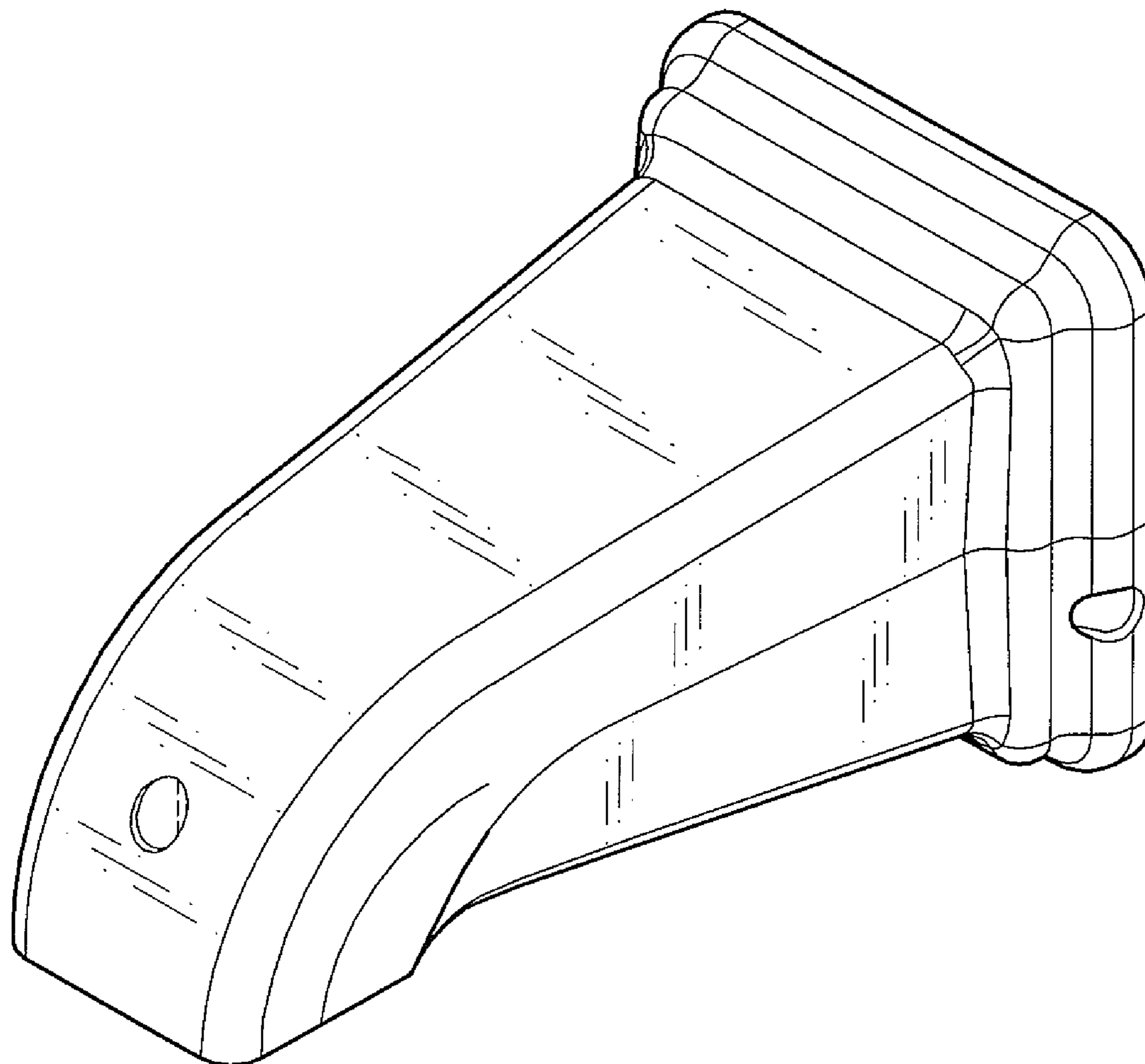
FIG. 3 is a left side elevational view thereof;

FIG. 4 is a right side elevational view thereof; and,

FIG. 5 is a top plan view thereof.

The broken lines shown in the drawings represent unclaimed portions of the design and form no part thereof.

**1 Claim, 4 Drawing Sheets**



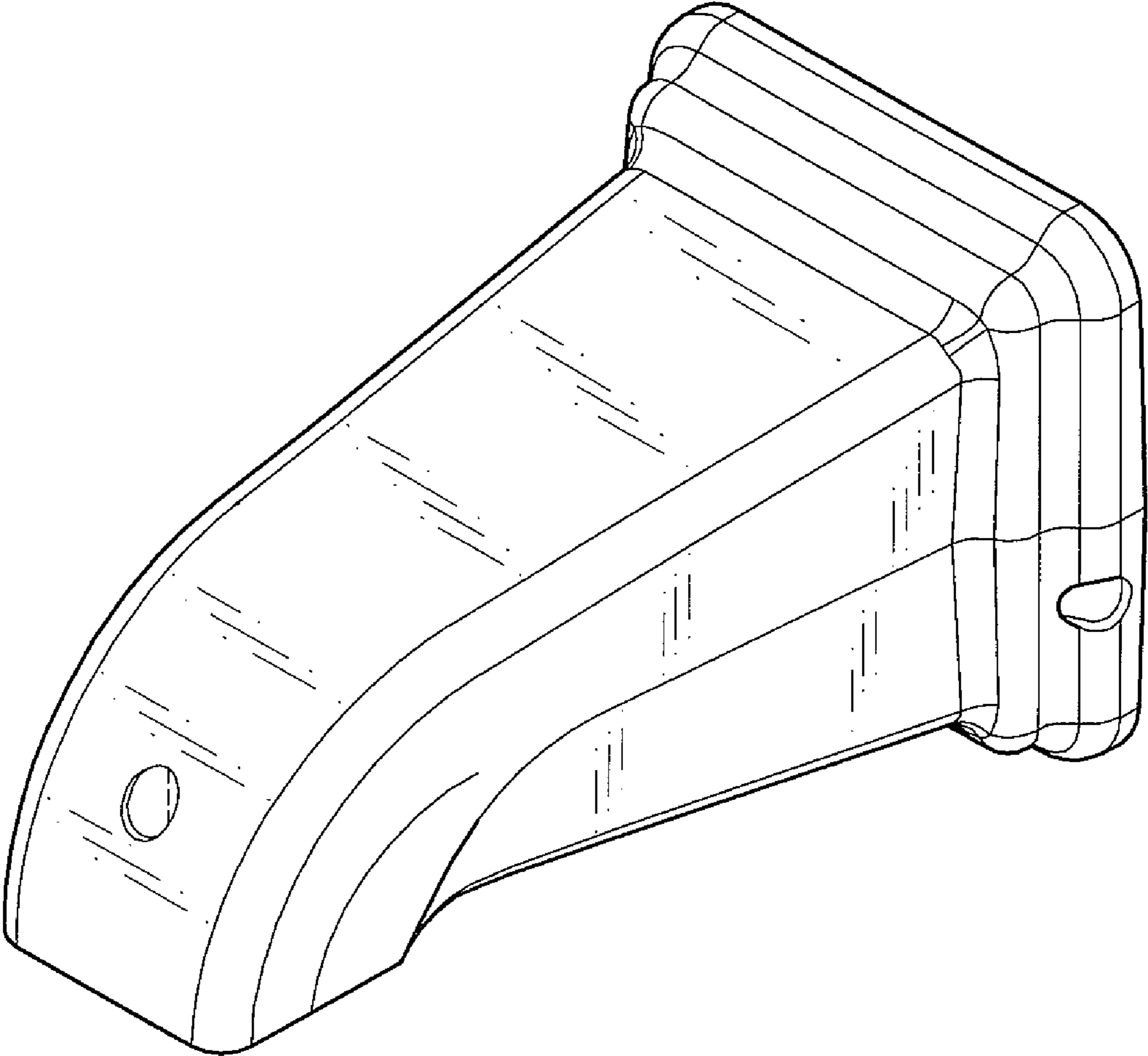


FIG. 1

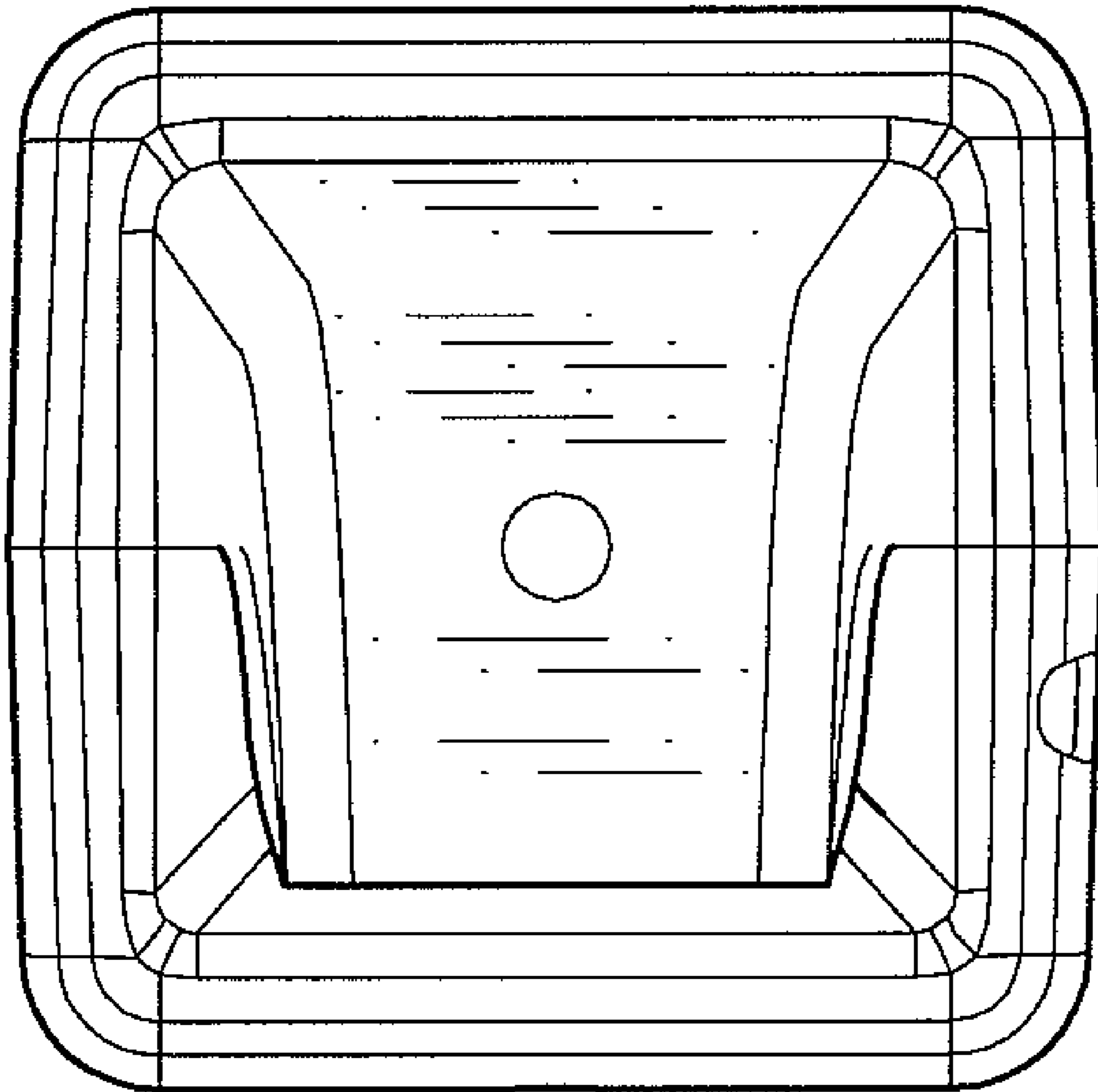


FIG. 2

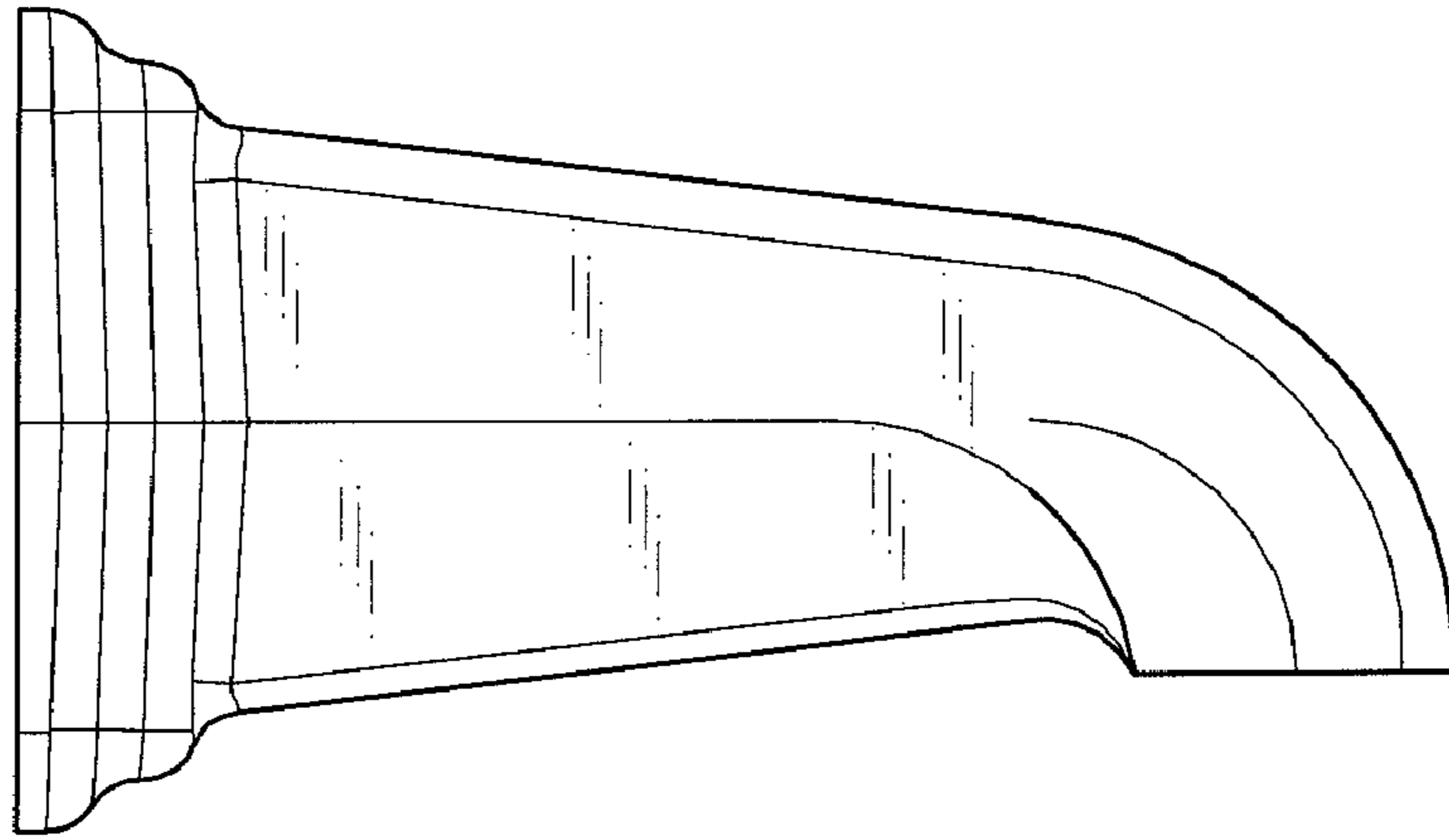


FIG. 3

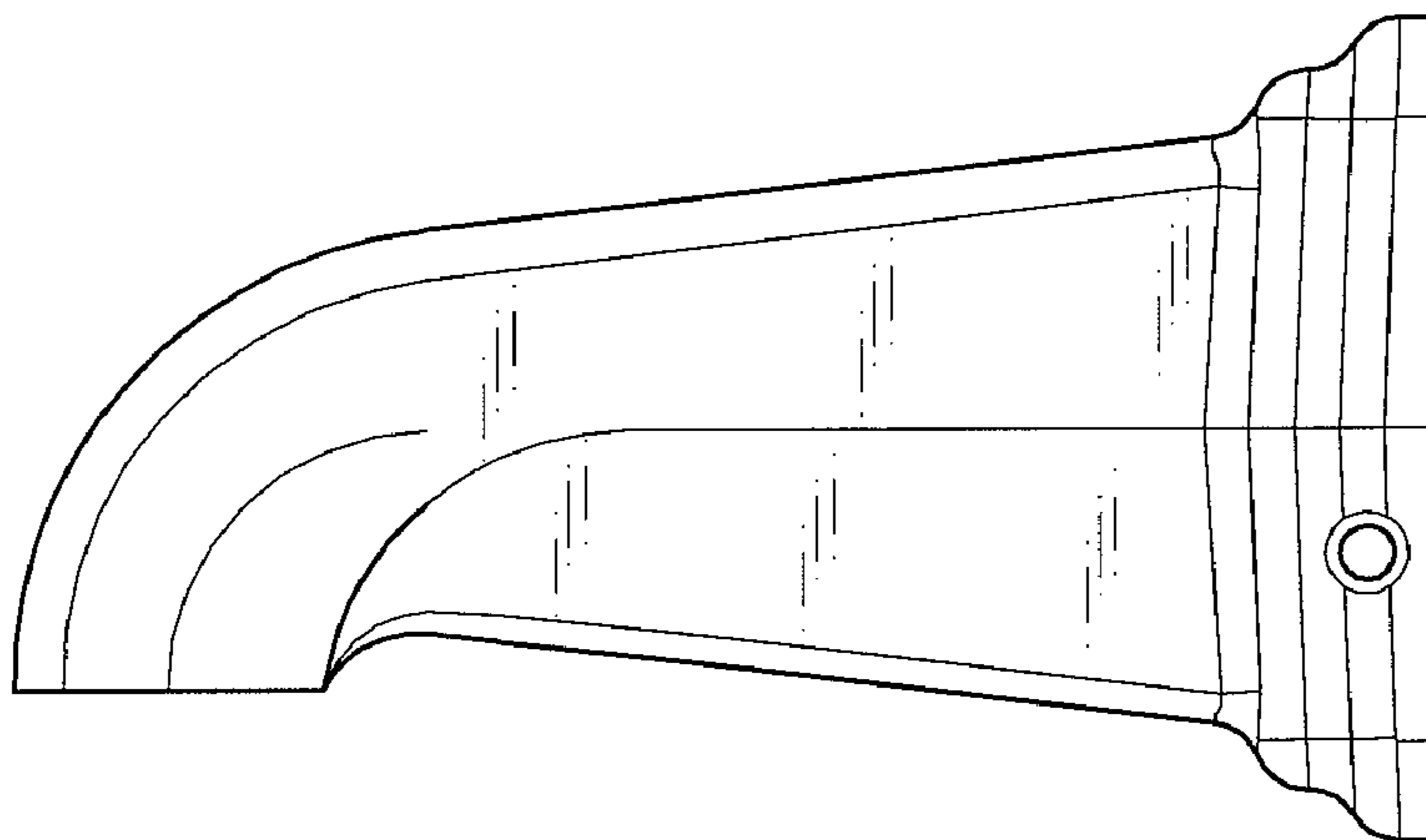


FIG. 4

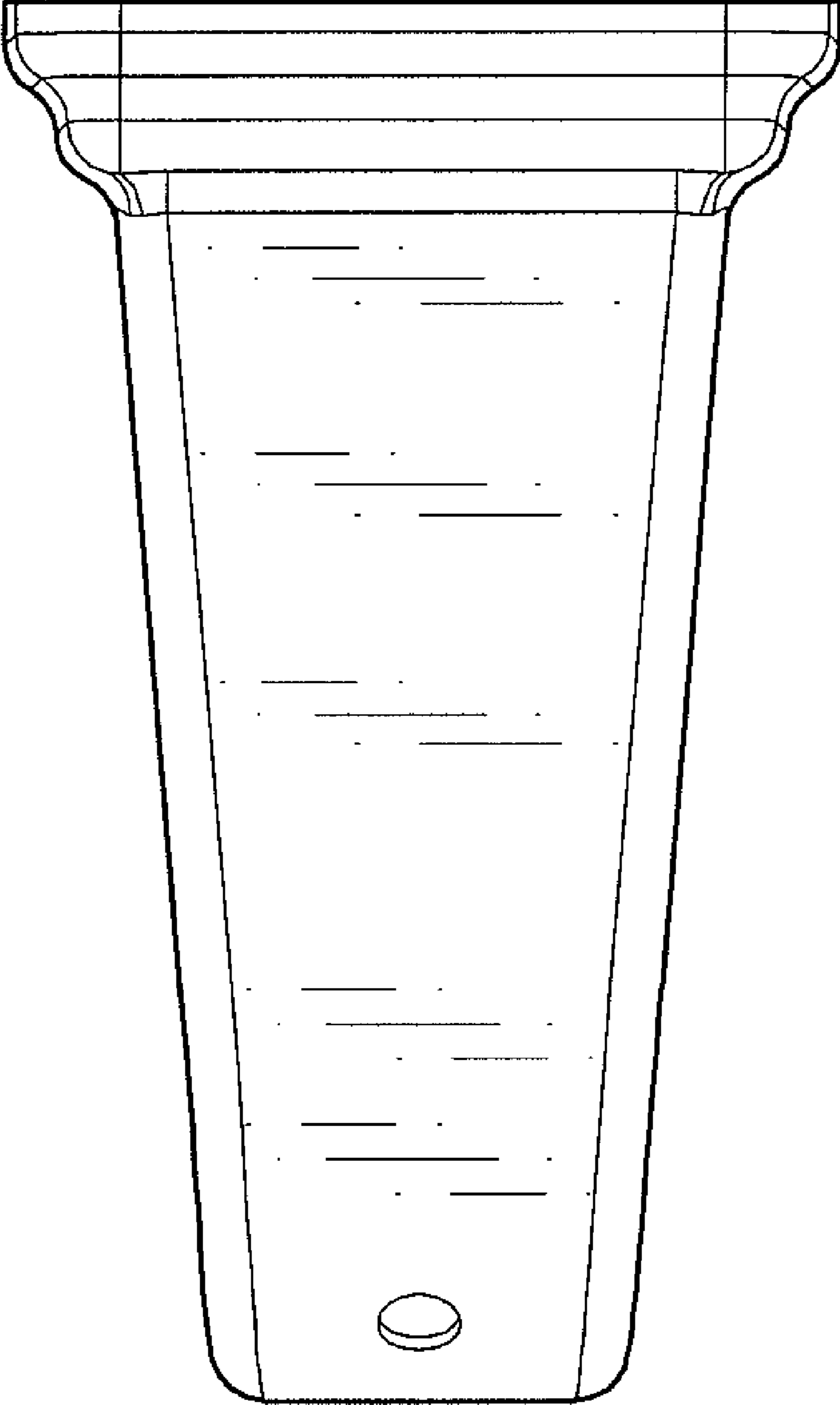


FIG. 5