



US00D626197S

(12) **United States Design Patent**
Gilbert

(10) **Patent No.:** **US D626,197 S**

(45) **Date of Patent:** **** Oct. 26, 2010**

(54) **HANDHELD SHOWER PORTION**

D457,937 S 5/2002 Lindholm et al.

6,412,711 B1 7/2002 Fan

(75) Inventor: **Christopher Jon Gilbert**, Moreland Hills, OH (US)

D465,548 S 11/2002 Tse

D466,185 S 11/2002 Tse

(73) Assignee: **Moen Incorporated**, North Olmsted, OH (US)

D467,302 S 12/2002 Singtoroj

(**) Term: **14 Years**

(Continued)

(21) Appl. No.: **29/353,359**

Primary Examiner—Robin V Webster

(74) *Attorney, Agent, or Firm*—Calfee, Halter & Griswold LLP

(22) Filed: **Jan. 7, 2010**

(51) **LOC (9) Cl.** **23-01**

(52) **U.S. Cl.** **D23/223**

(58) **Field of Classification Search** D23/213,
D23/223, 229–230; 239/394, 282, 283;
4/615

(57) **CLAIM**

The ornamental design for a handheld shower portion, as shown and described.

See application file for complete search history.

DESCRIPTION

(56) **References Cited**

U.S. PATENT DOCUMENTS

D141,185 S *	5/1945	Stanitz	D23/223
D241,546 S	9/1976	Rizzuto		
D258,677 S	3/1981	Larsson		
D261,300 S *	10/1981	Klose	D23/223
D269,540 S	6/1983	Larsson		
D309,773 S	8/1990	Huen		
D328,634 S	8/1992	Ward		
D337,810 S	7/1993	Bengtson et al.		
D344,573 S	2/1994	Bruno et al.		
D363,972 S	11/1995	Huen		
D367,696 S	3/1996	Andrus		
D376,410 S	12/1996	Chen		
D385,333 S	10/1997	Caroen et al.		
5,749,552 A	5/1998	Fan		
D403,408 S	12/1998	Andrus et al.		
D410,729 S	6/1999	Fan		
D415,821 S	10/1999	Milrud et al.		
D421,482 S	3/2000	Milrud et al.		
D424,160 S	5/2000	Haug et al.		
D424,164 S	5/2000	Haug et al.		
D428,110 S	7/2000	Haug et al.		
D433,097 S	10/2000	Tse		
D437,393 S	2/2001	Ouano et al.		

FIG. 1 is a front, right side perspective view of a handheld shower portion of the new design;

FIG. 2 is a front elevational view of the handheld shower portion of FIG. 1;

FIG. 3 is a rear elevational view of the handheld shower portion of FIG. 1;

FIG. 4 is a left side elevational view of the handheld shower portion of FIG. 1, the right side elevational view being a mirror image thereof;

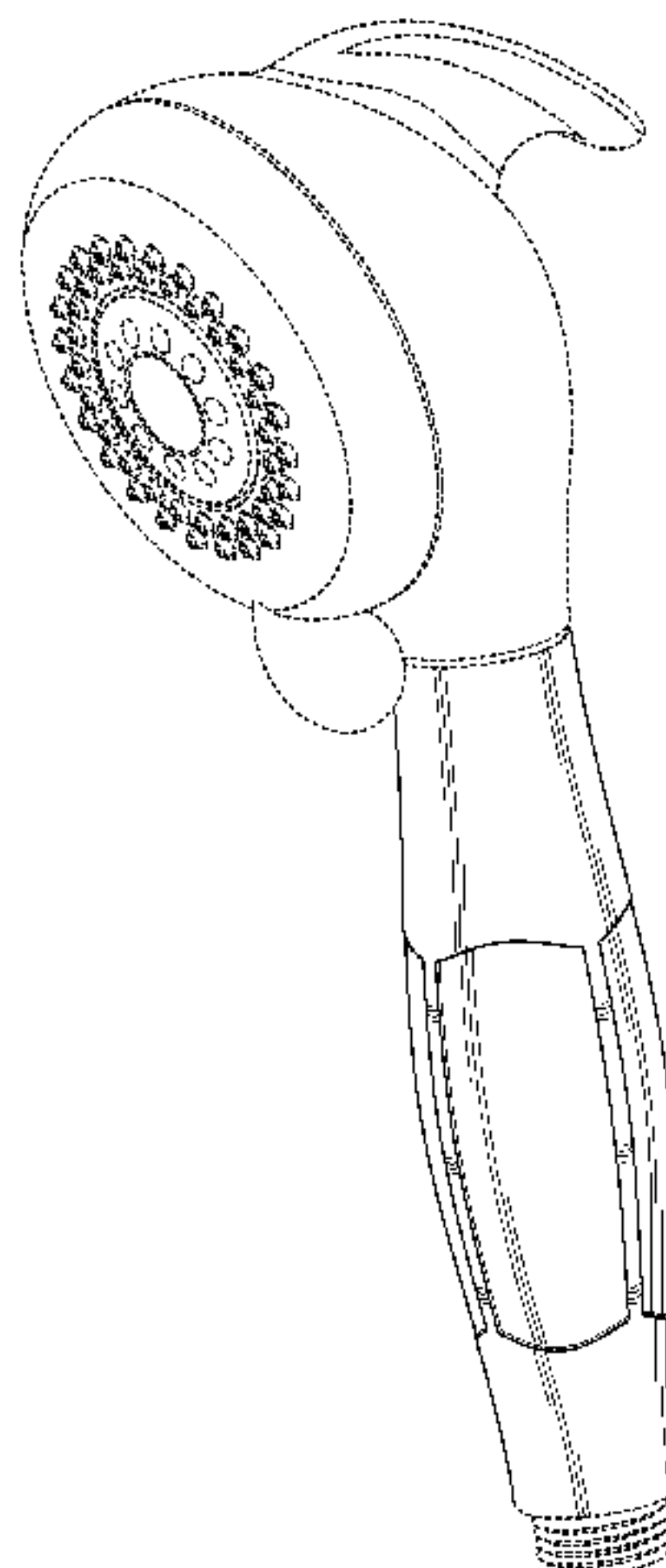
FIG. 5 is a rear, bottom perspective view of the handheld shower portion of FIG. 1;

FIG. 6 is an end view of the handheld shower portion of FIG. 1, taken from the non-attached end looking toward the attached end; and,

FIG. 7 is an end view of the handheld shower portion of FIG. 1, taken from the attached end looking toward the non-attached end.

The portions of the Figures shown in broken lines are not part of the claimed design and are for illustration only.

1 Claim, 4 Drawing Sheets



US D626,197 S

Page 2

U.S. PATENT DOCUMENTS

D470,568 S	2/2003	Wu	D547,421 S	7/2007	Lobermeier
D492,006 S	6/2004	Haug et al.	D559,947 S	1/2008	Tse
D516,671 S	3/2006	Wu et al.	D569,479 S	5/2008	Genord et al.
D534,239 S *	12/2006	Dingler et al. D23/223	D575,373 S *	8/2008	Giggs et al. D23/223
D535,354 S	1/2007	Wu	D579,517 S	10/2008	Corbett
D542,887 S	5/2007	Cutler	D581,484 S	11/2008	Schoenherr et al.
7,229,424 B2	6/2007	Jones et al.	D587,340 S *	2/2009	Parsons et al. D23/223
D547,420 S	7/2007	Lobermeier	2006/0005311 A1	1/2006	Fentrouci
			2007/0180608 A1	8/2007	Zhadanov et al.

* cited by examiner

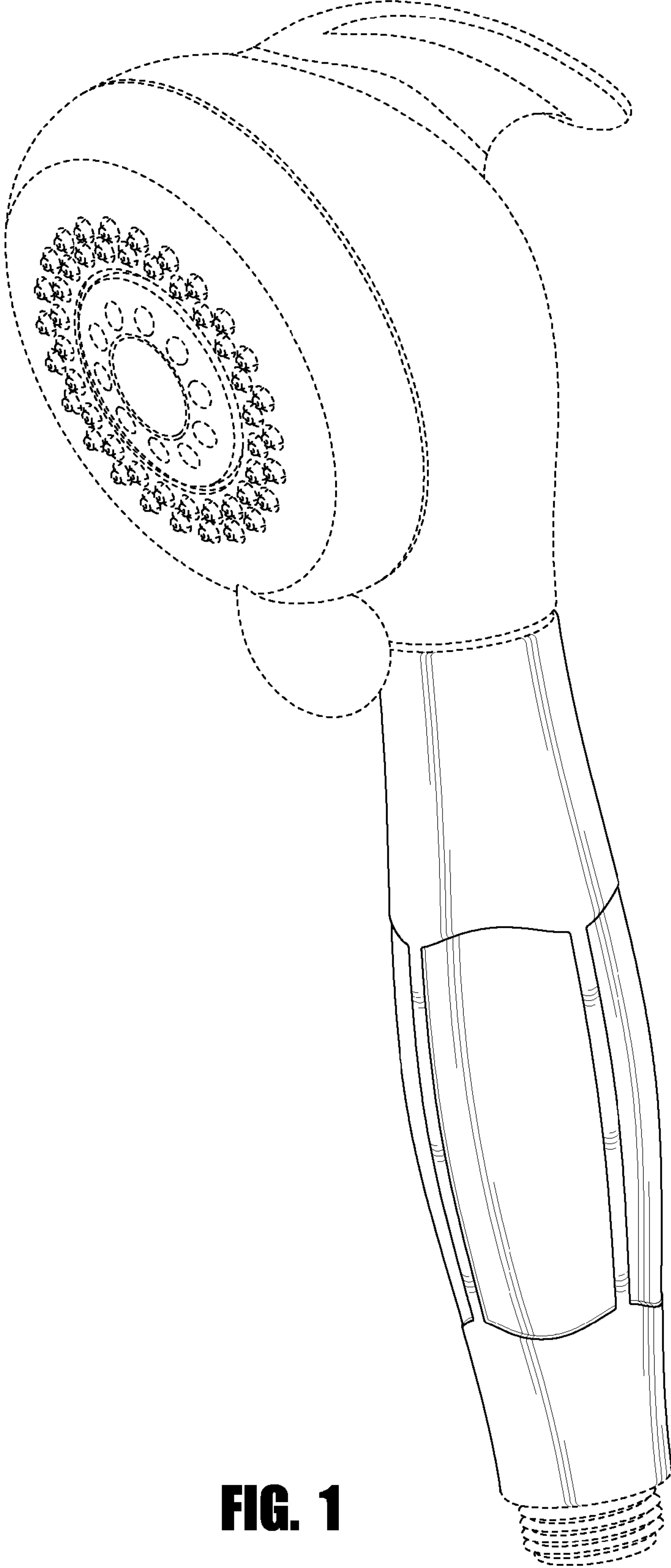


FIG. 1

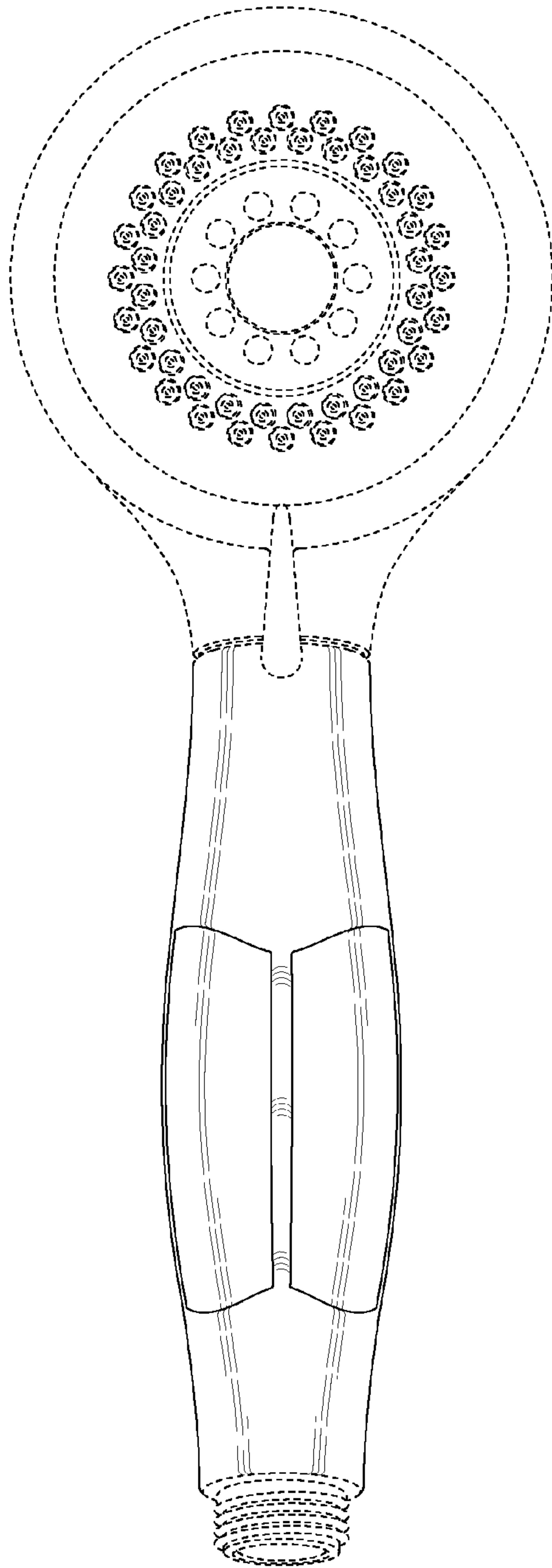


FIG. 2

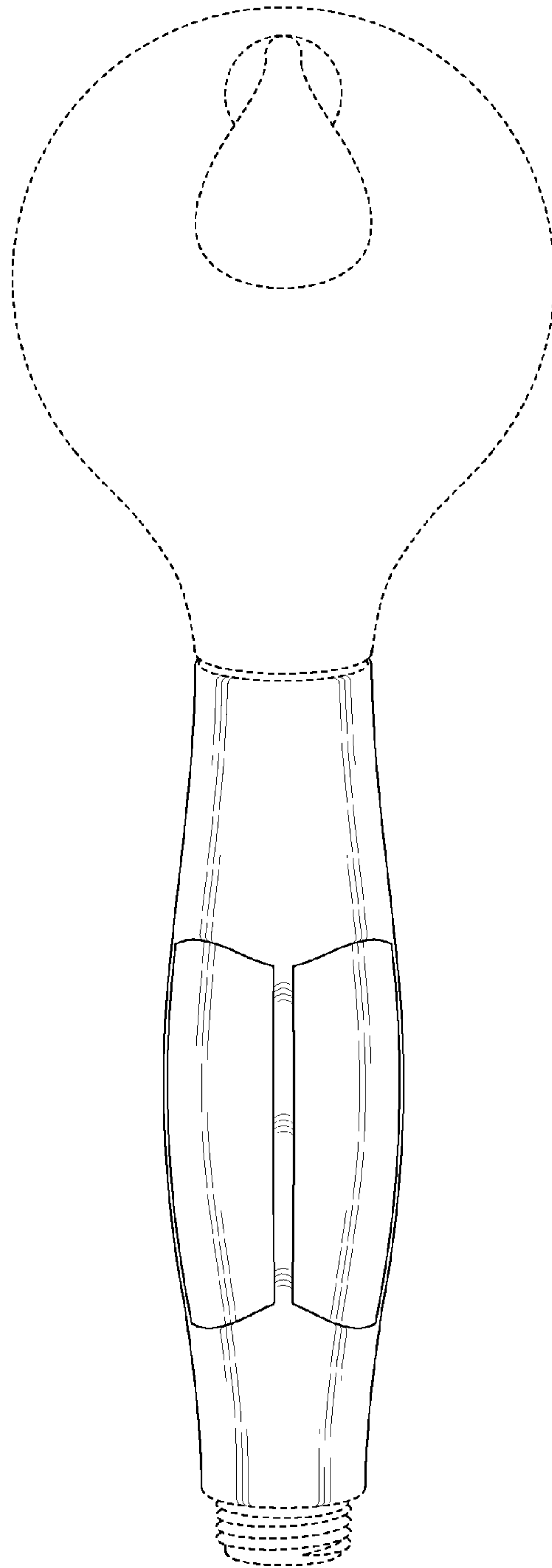


FIG. 3

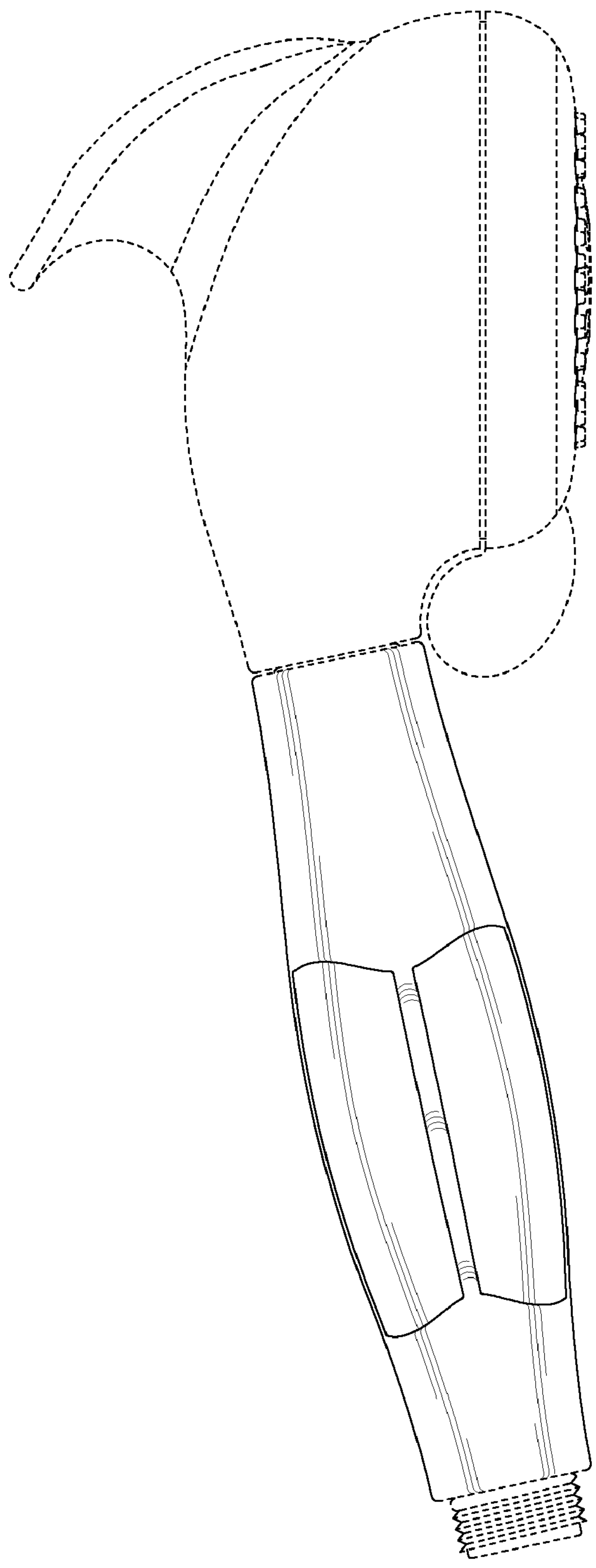


FIG. 4

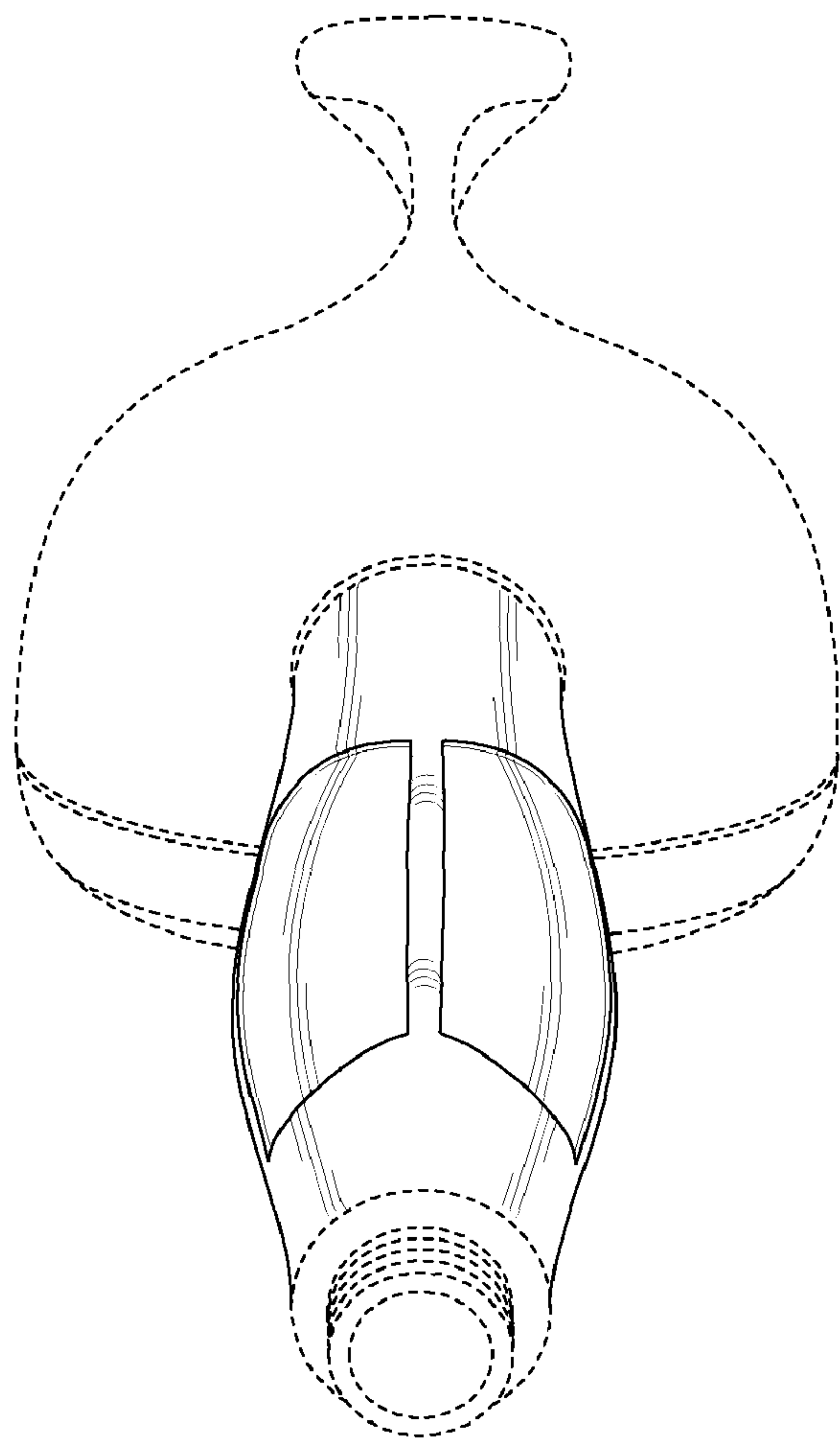


FIG. 5

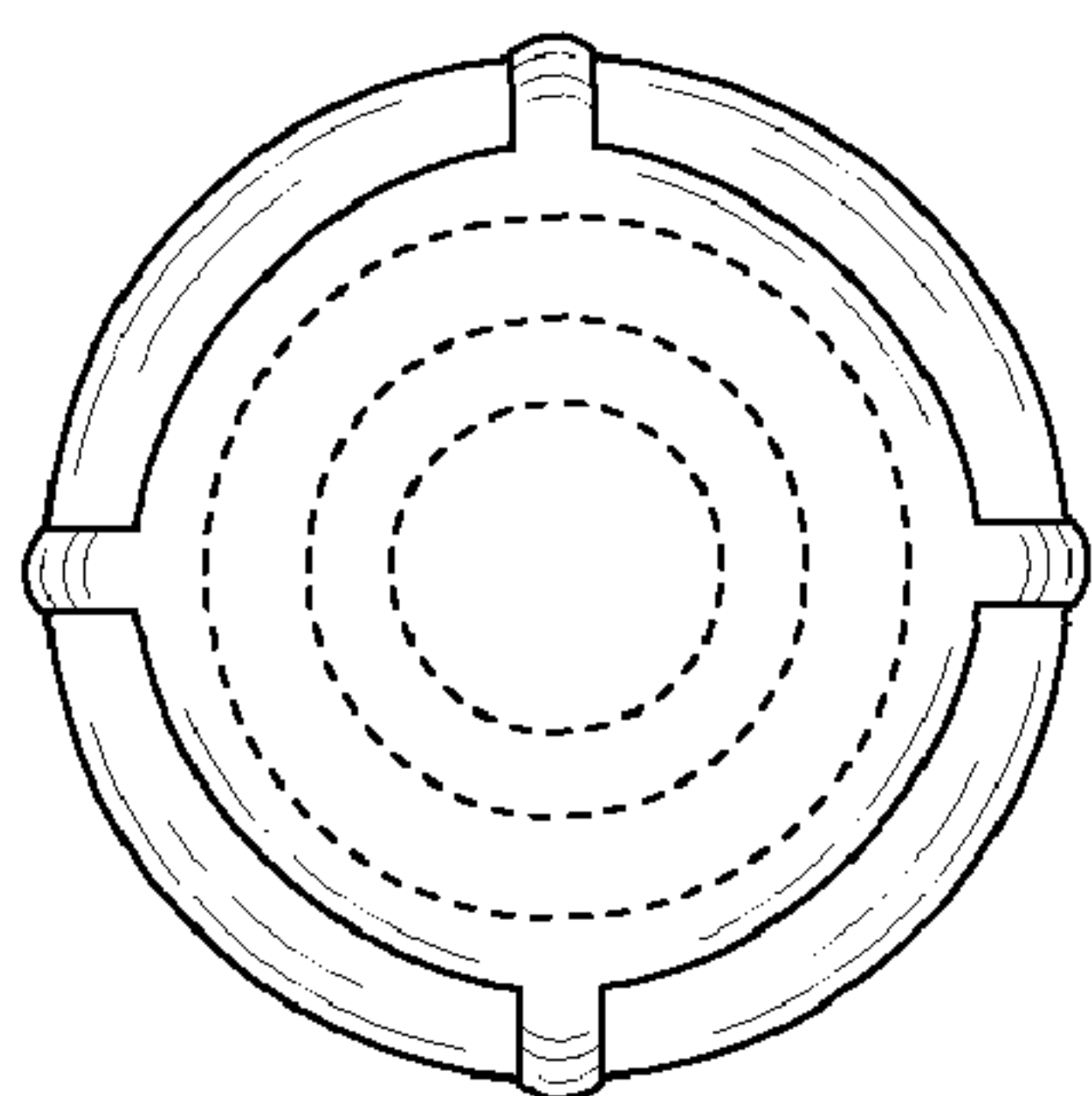


FIG. 6

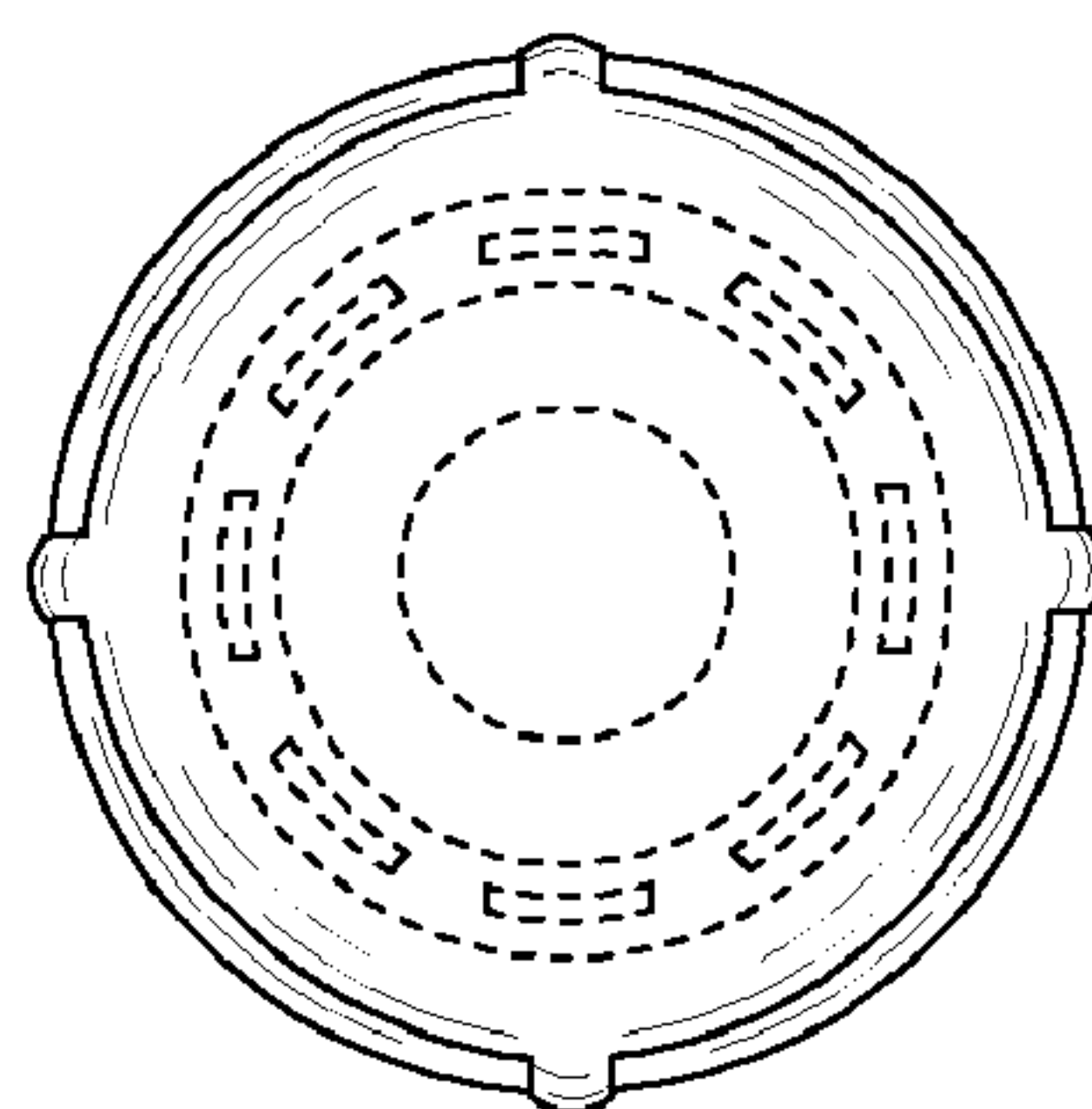


FIG. 7