



US00D626194S

(12) **United States Design Patent**
Kakihana et al.

(10) **Patent No.:** **US D626,194 S**

(45) **Date of Patent:** **** Oct. 26, 2010**

(54) **SHOWER HEAD**

D594,928 S * 6/2009 Beschi D23/213

(75) Inventors: **Hajime Kakihana**, Morrow, GA (US);
Minoru Tani, Kitakyushu (JP); **Rie Yokoyama**,
Kitakyushu (JP); **James Piatt**, Los Angeles, CA (US)

* cited by examiner

Primary Examiner—Robin V Webster
(74) *Attorney, Agent, or Firm*—Birch, Stewart, Kolasch & Birch, LLP

(73) Assignee: **ToTo Ltd.**, Kitakyushu-Shi (JP)

(57) **CLAIM**

(**) Term: **14 Years**

The ornamental design for a shower head, as shown and described.

(21) Appl. No.: **29/346,287**

(22) Filed: **Oct. 29, 2009**

(51) **LOC (9) Cl.** **23-01**

(52) **U.S. Cl.** **D23/213**

(58) **Field of Classification Search** D23/213,
D23/223, 229–230; 239/394, 282, 283
See application file for complete search history.

DESCRIPTION

FIG. 1 is a perspective view of the top, front and right side of a shower head showing our new design;

FIG. 2 is a front view thereof;

FIG. 3 is a rear view thereof;

FIG. 4 is a left side view thereof;

FIG. 5 is a right side view thereof;

FIG. 6 is a top plan view thereof; and,

FIG. 7 is a bottom view thereof.

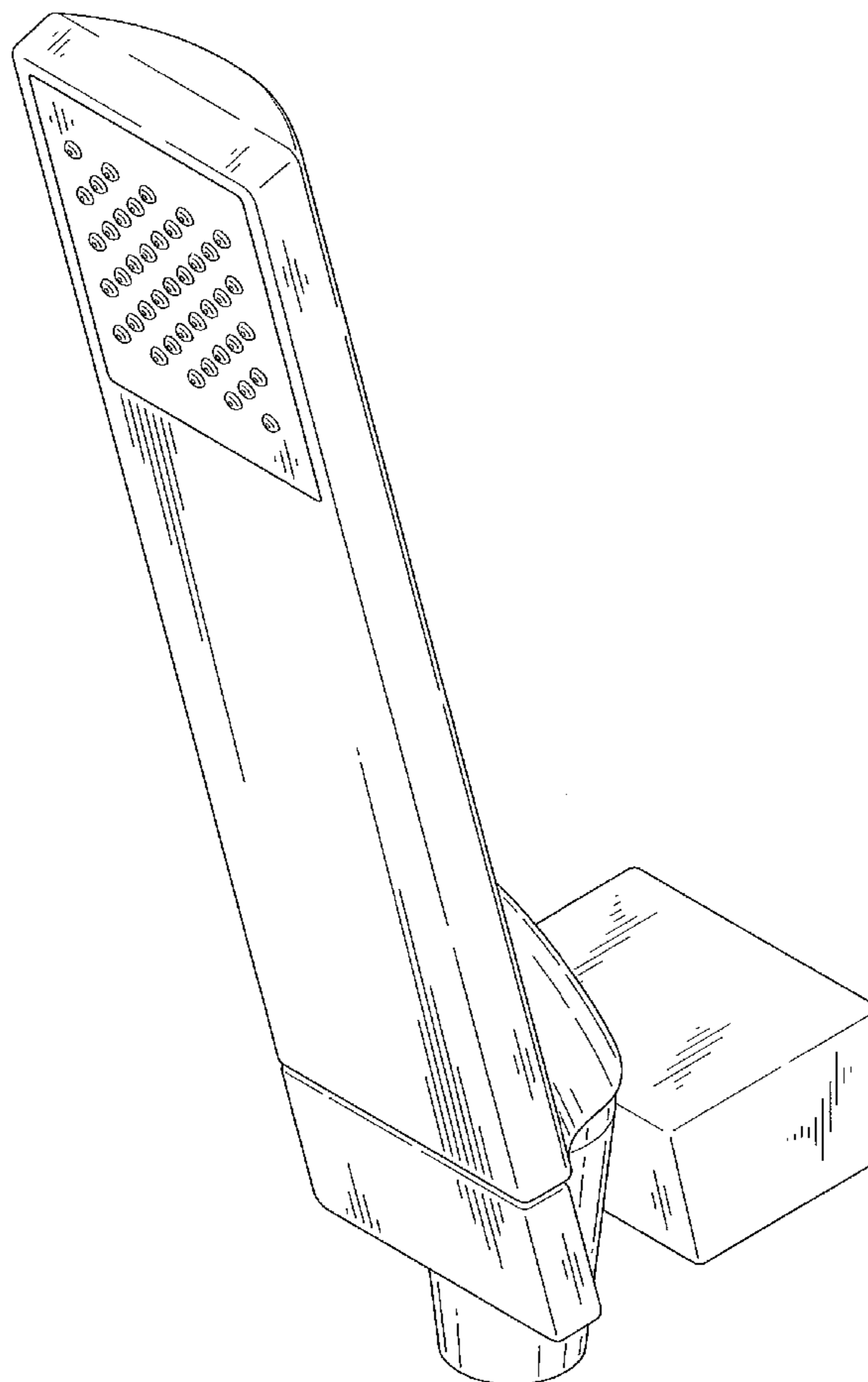
The portion of the article in broken lines are shown for illustrative purposes only and form no part of the claimed design.

(56) **References Cited**

U.S. PATENT DOCUMENTS

D552,211 S *	10/2007	Toyohara	D23/213
D553,708 S *	10/2007	Garner	D23/213
D575,845 S *	8/2008	Lobermeier et al.	D23/223
D578,181 S *	10/2008	Pan	D23/213

1 Claim, 5 Drawing Sheets



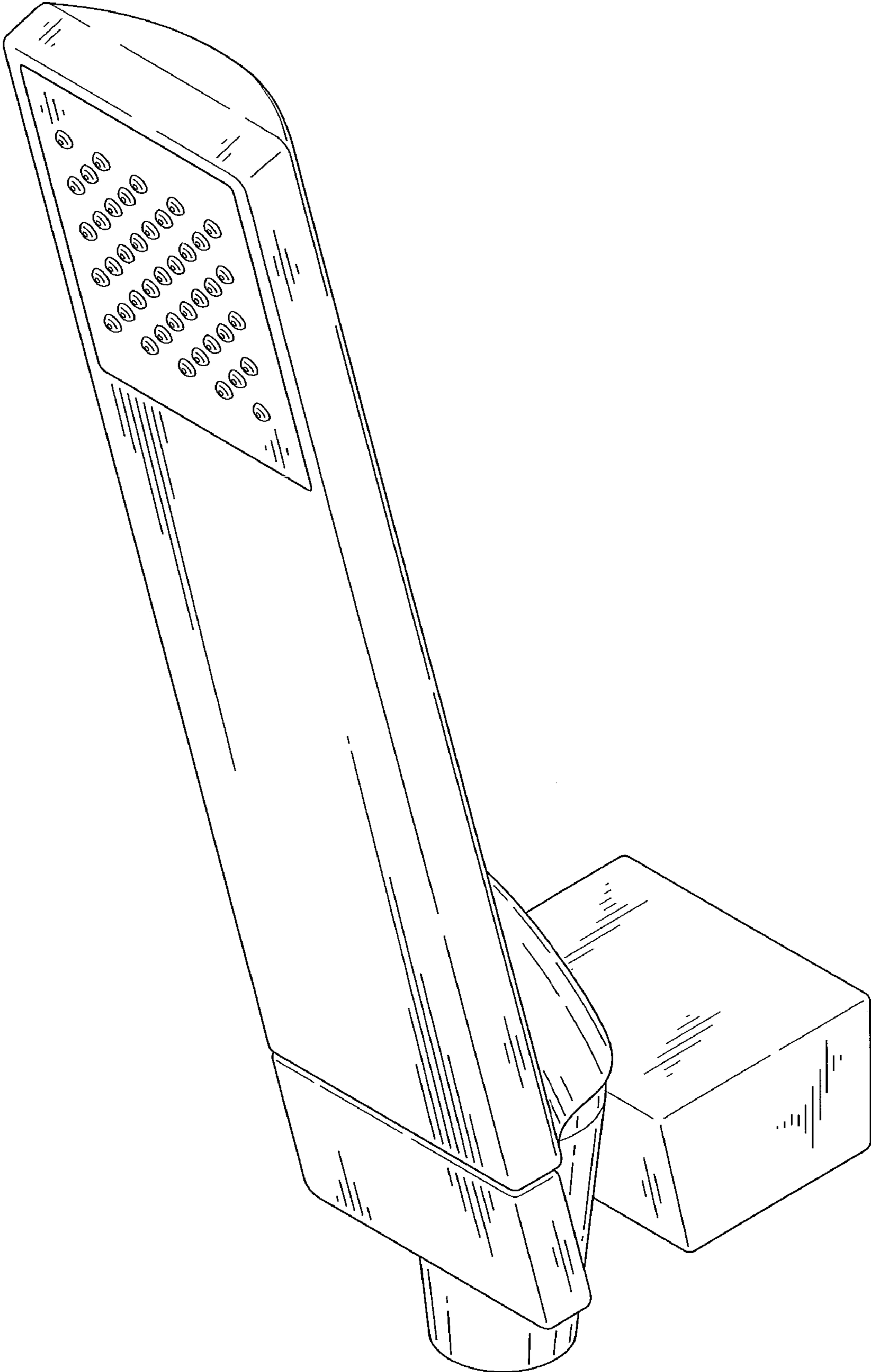


FIG. 1

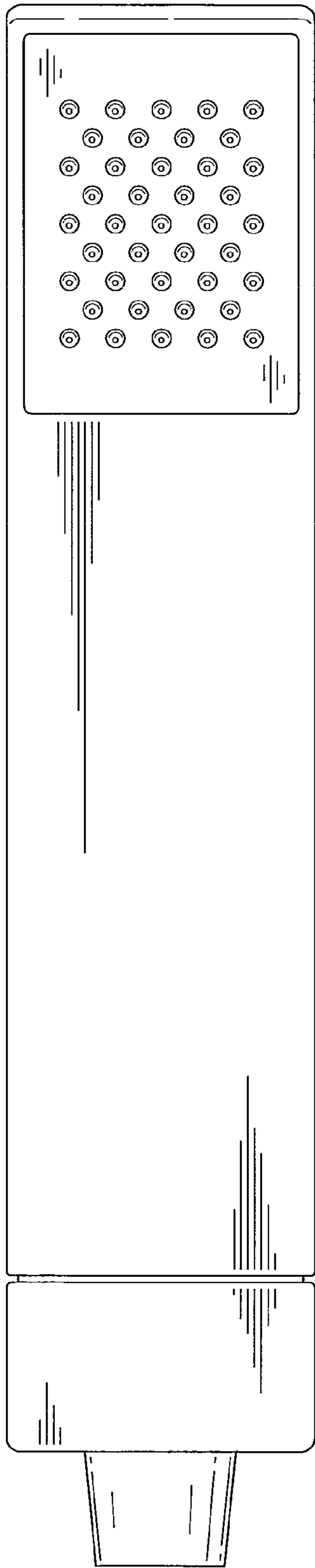


FIG. 2

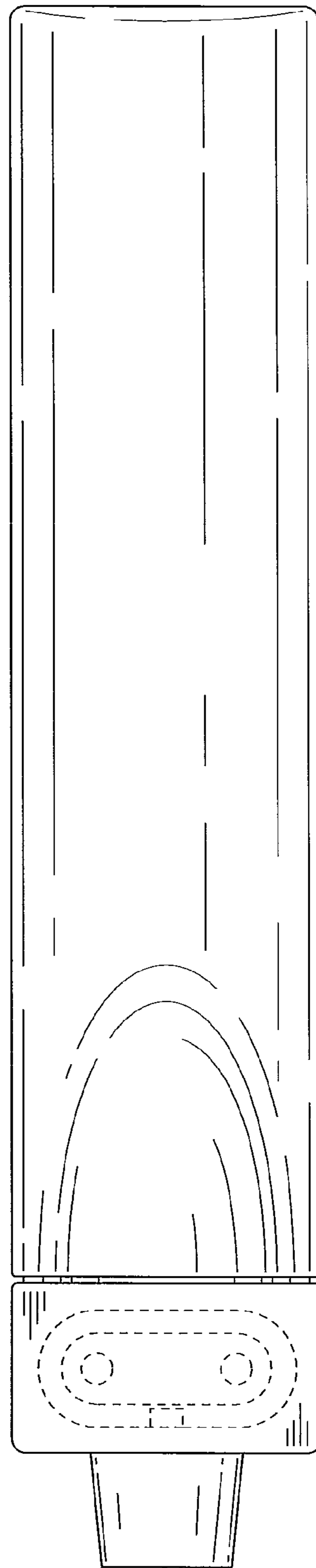


FIG. 3

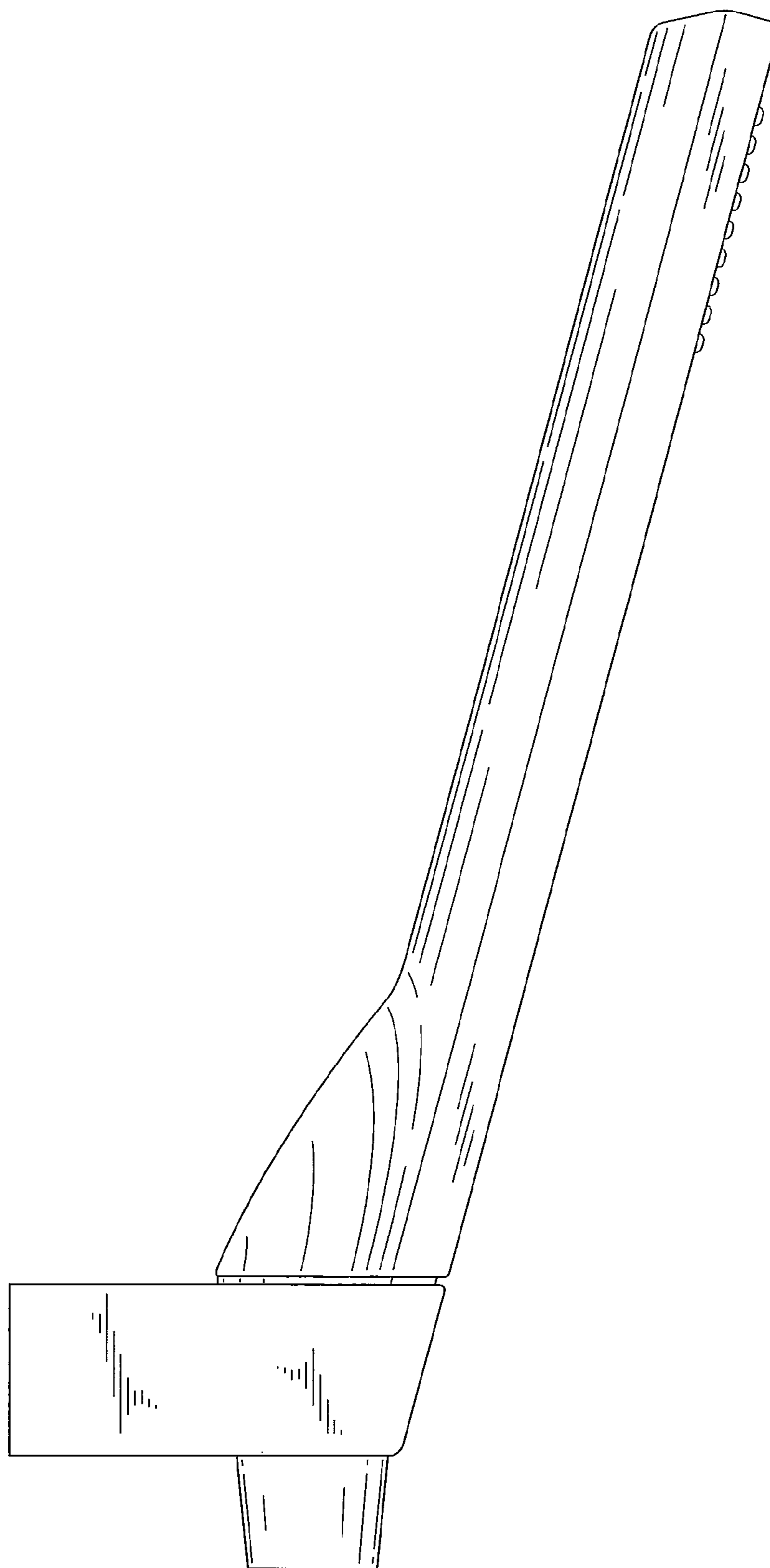


FIG. 4

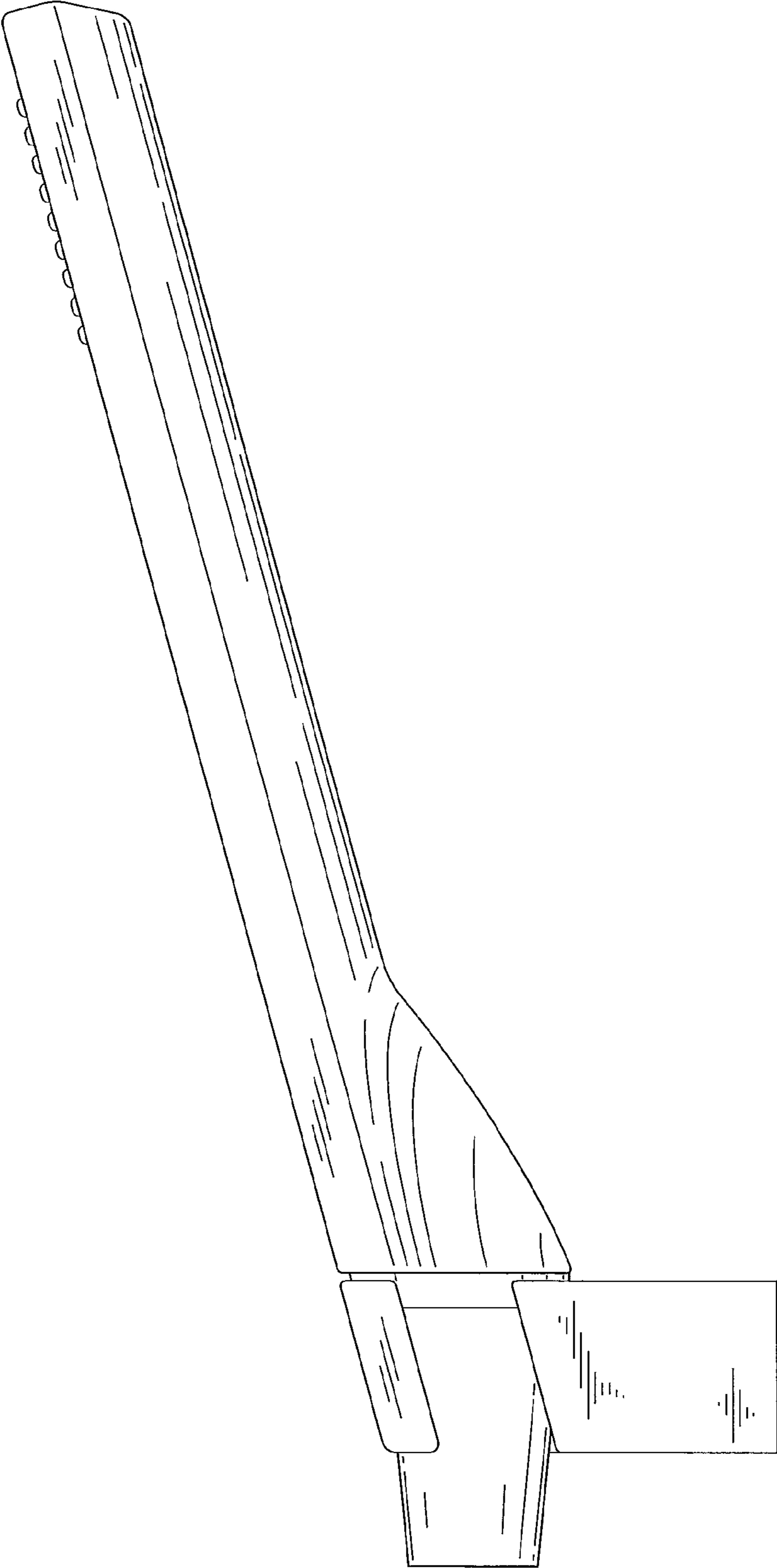


FIG. 5

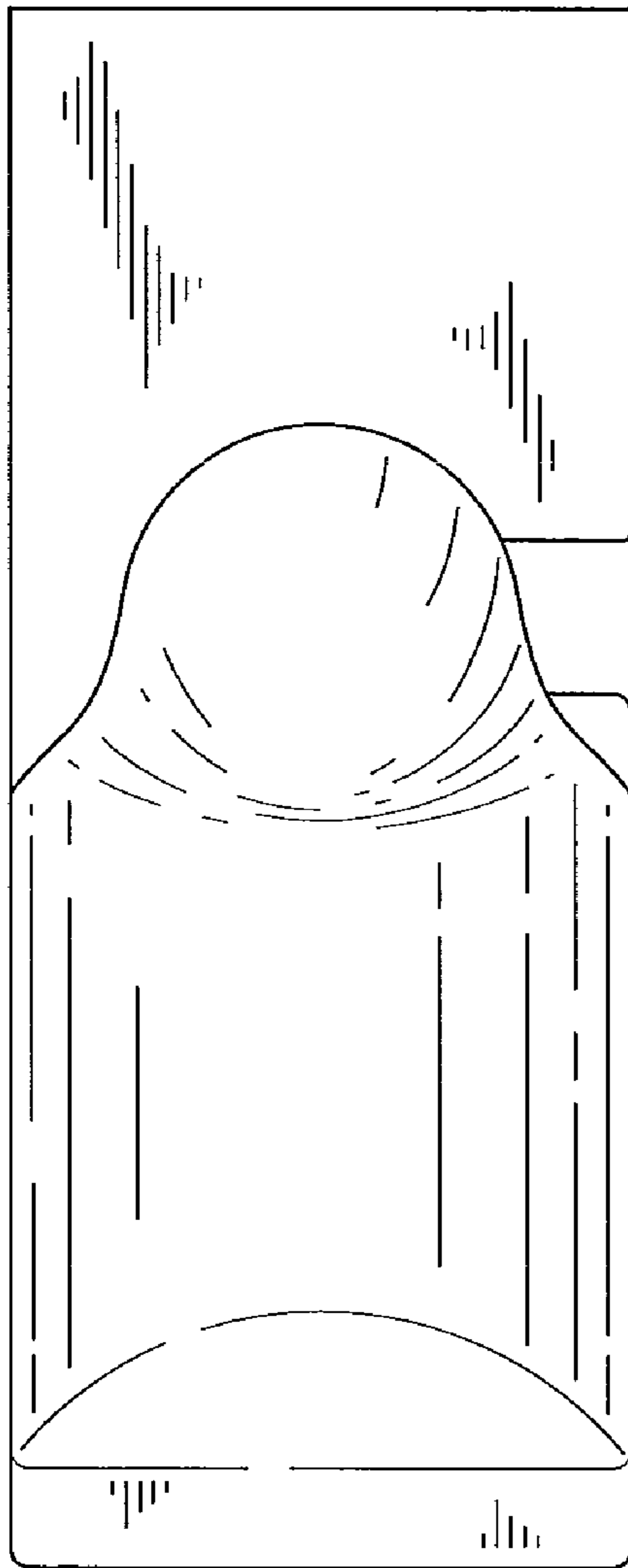


FIG. 6

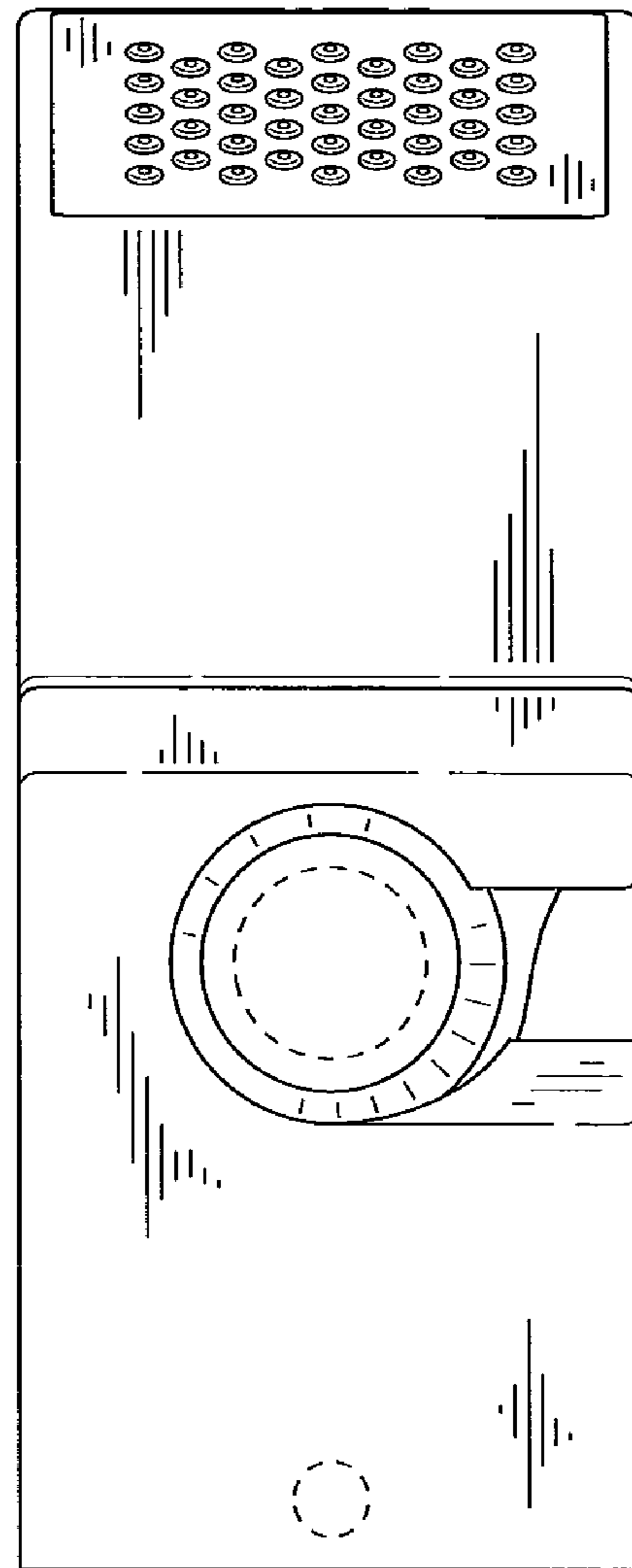


FIG. 7