



US00D626191S

(12) **United States Design Patent**
Hilton

(10) **Patent No.:** **US D626,191 S**

(45) **Date of Patent:** **** Oct. 26, 2010**

(54) **PUTTER HEAD**

(75) **Inventor:** **Thomas R. Hilton**, Cardiff, CA (US)

(73) **Assignee:** **Callaway Golf Company**, Carlsbad, CA (US)

(**) **Term:** **14 Years**

(21) **Appl. No.:** **29/367,690**

(22) **Filed:** **Aug. 11, 2010**

(51) **LOC (9) Cl.** **21-02**

(52) **U.S. Cl.** **D21/744**

(58) **Field of Classification Search** D21/736-746;
473/324-331, 251-256, 340-341

See application file for complete search history.

(56) **References Cited**

U.S. PATENT DOCUMENTS

D310,115 S *	8/1990	Iinuma	D21/739
D314,031 S *	1/1991	Iinuma	D21/739
D401,991 S	12/1998	Collins		
D458,656 S	6/2002	Tang et al.		
D461,514 S	8/2002	Tang et al.		
D461,860 S	8/2002	Tang et al.		
D472,594 S	4/2003	Tang et al.		
D499,154 S *	11/2004	D'Agguano	D21/736
D510,394 S	10/2005	Tang et al.		

D548,296 S	8/2007	Rollinson		
D575,366 S	8/2008	Rollinson		
D582,497 S	12/2008	Rollinson		
D585,510 S *	1/2009	Murrieta	D21/736
D590,035 S *	4/2009	Hilton	D21/744
D590,461 S	4/2009	Kim et al.		
D591,372 S *	4/2009	Tang et al.	D21/743
D594,517 S *	6/2009	Tang et al.	D21/736

* cited by examiner

Primary Examiner—Mitchell I Siegel

(74) *Attorney, Agent, or Firm*—Michael A. Catania

(57) **CLAIM**

The ornamental design for a putter head, as shown and described.

DESCRIPTION

FIG. 1 is a top perspective view of a putter head;

FIG. 2 is a front elevational view thereof;

FIG. 3 is a top plan view thereof;

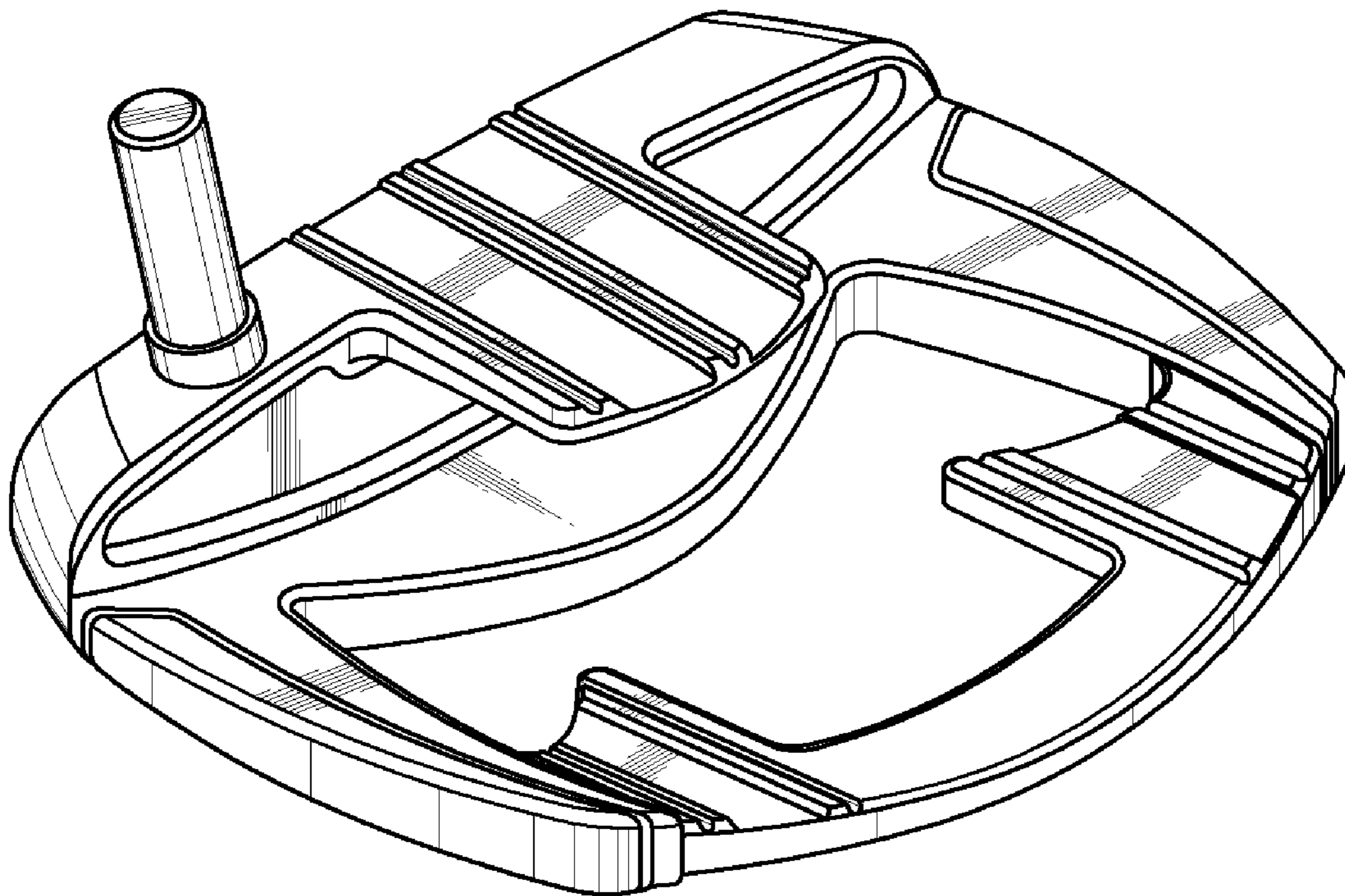
FIG. 4 is a bottom plan view thereof;

FIG. 5 is a rear elevational view thereof;

FIG. 6 is a toe elevational view thereof; and,

FIG. 7 is a heel elevational view thereof.

1 Claim, 3 Drawing Sheets



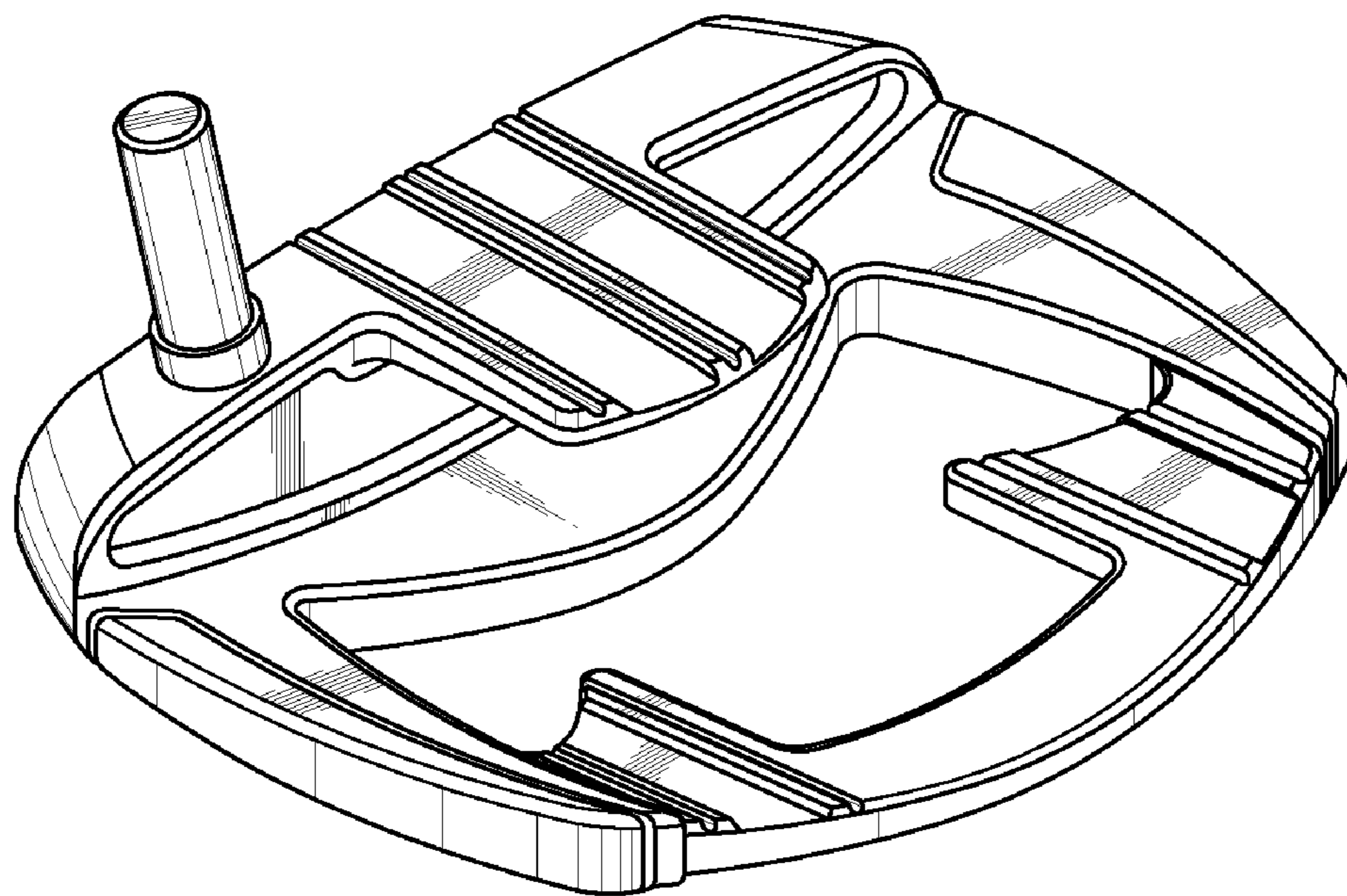


FIG. 1

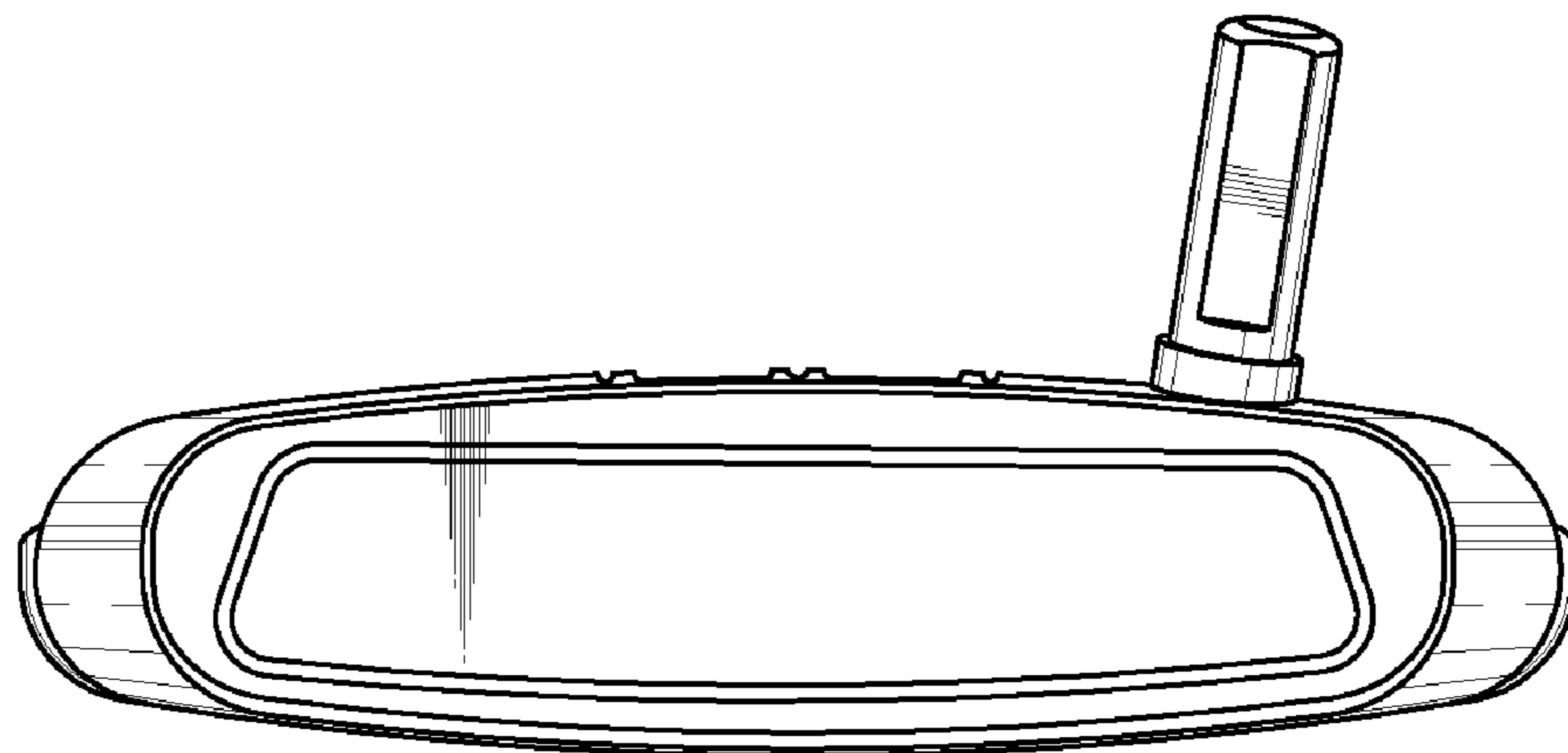


FIG. 2

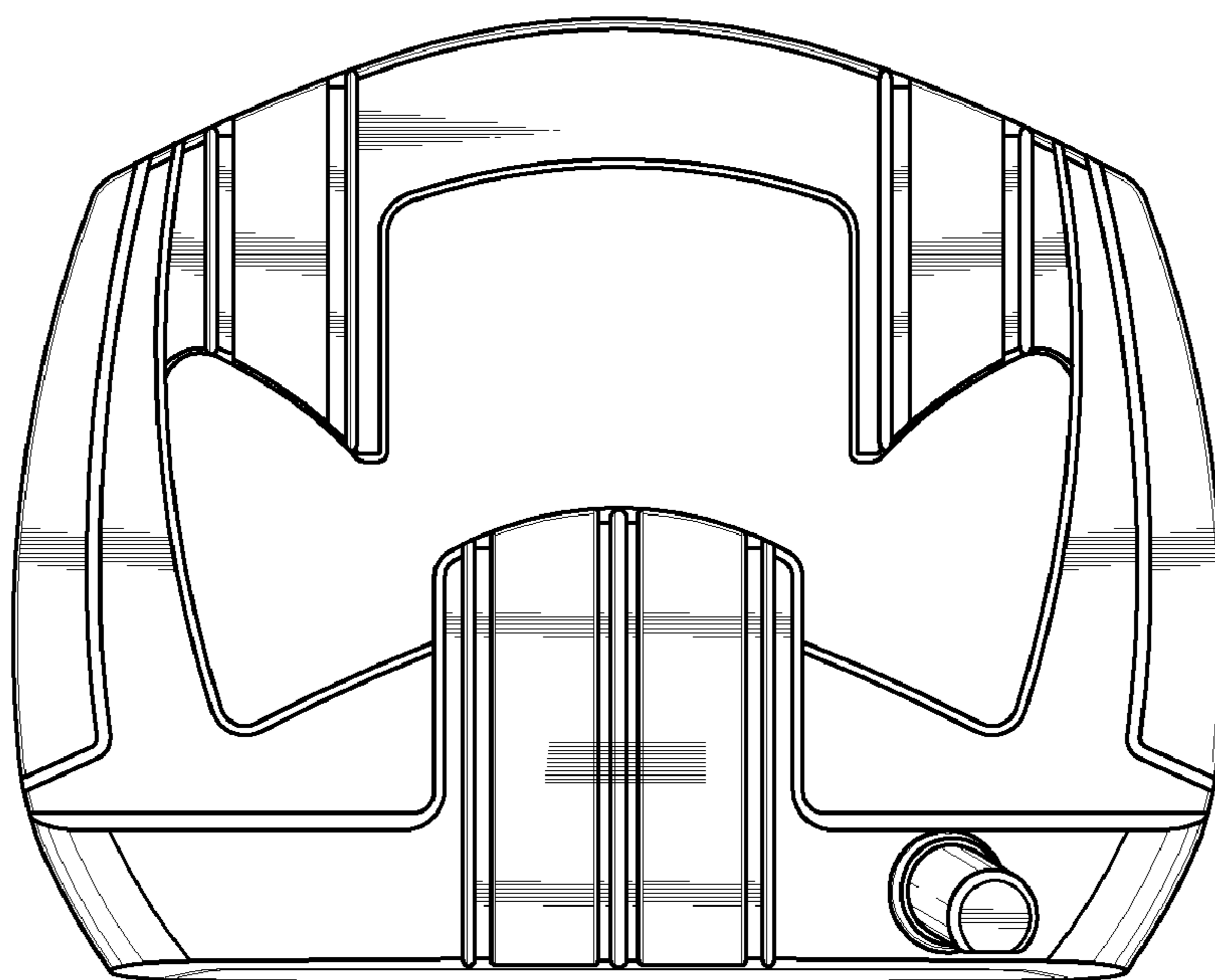


FIG. 3

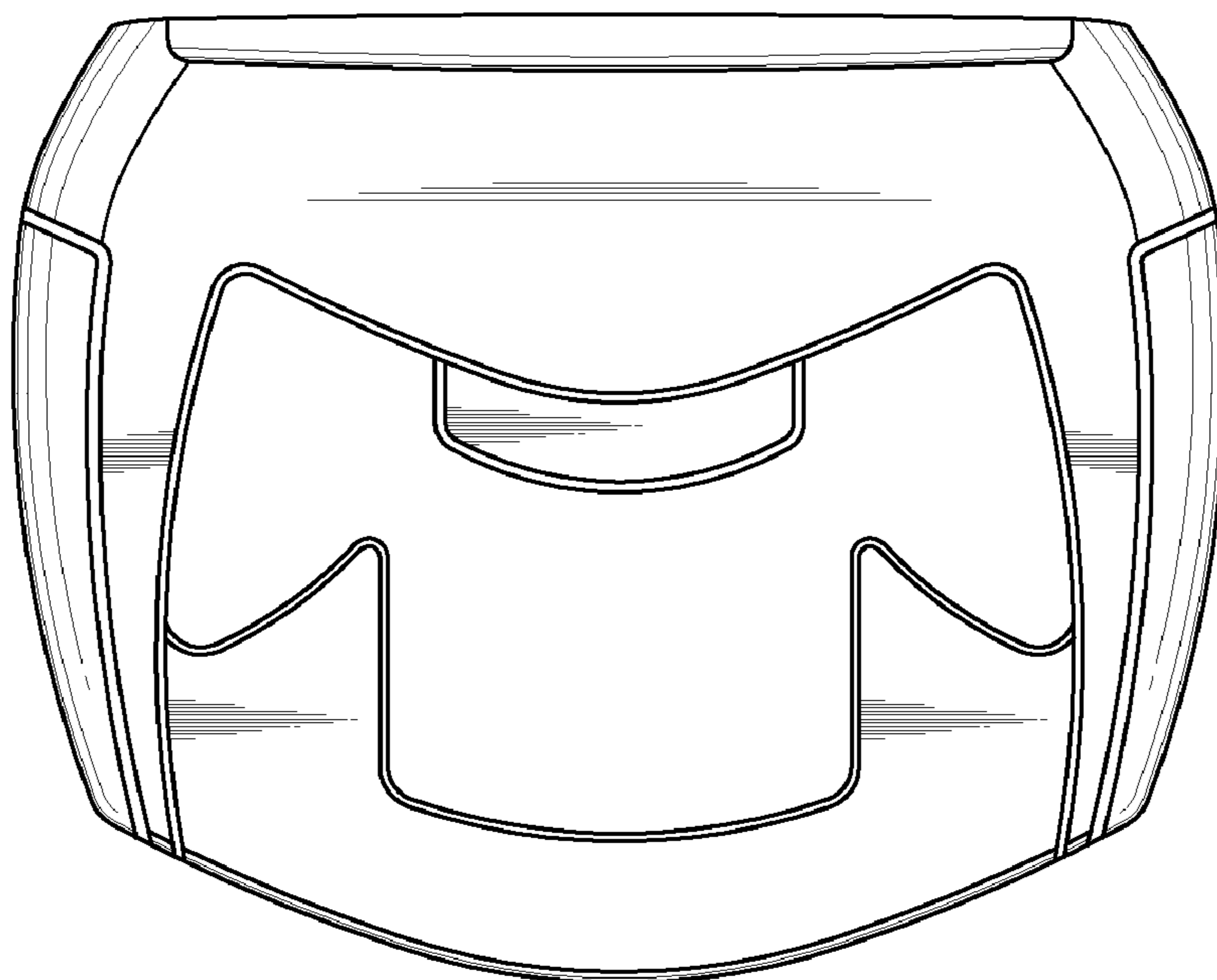


FIG. 4

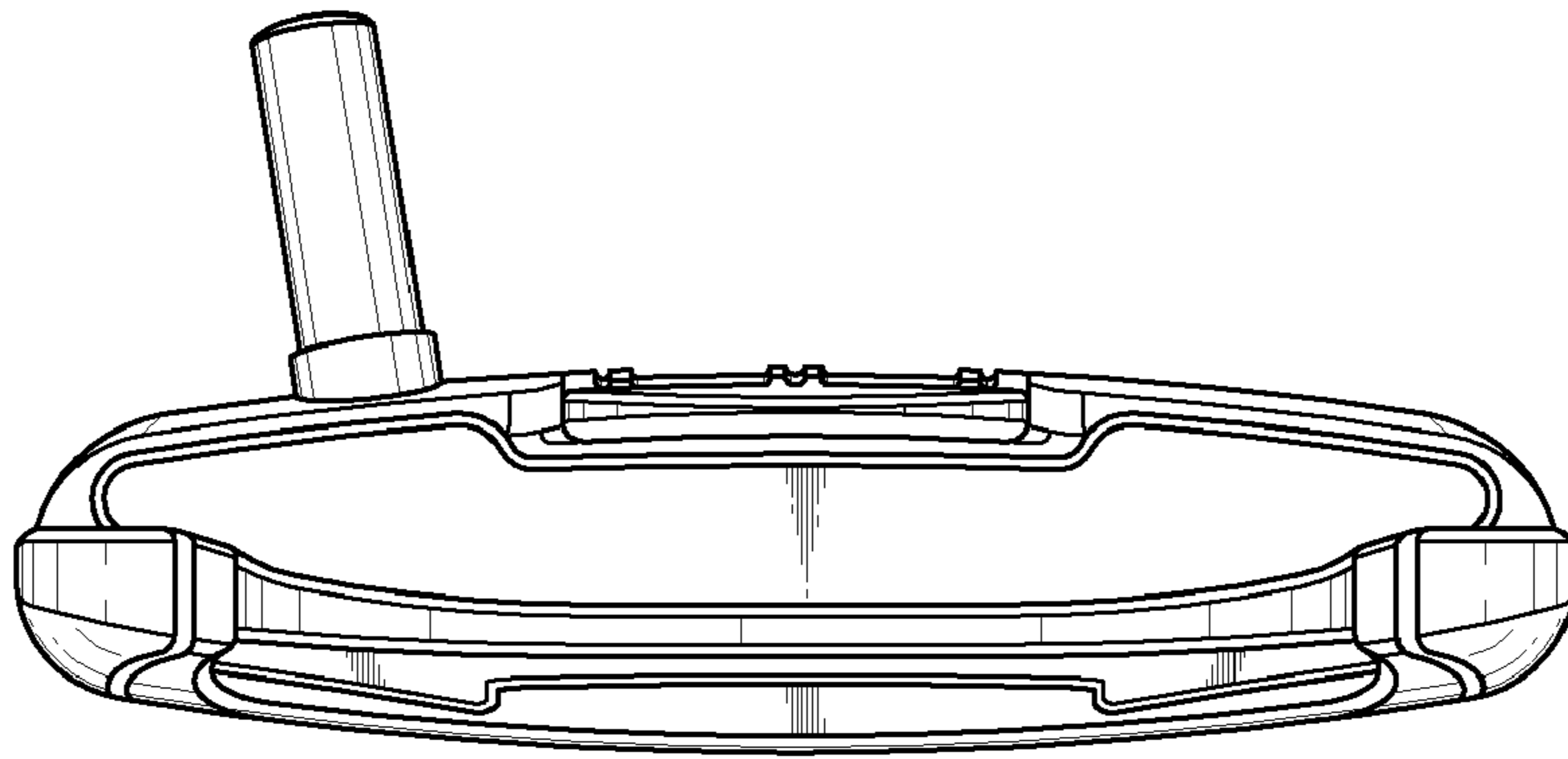


FIG. 5

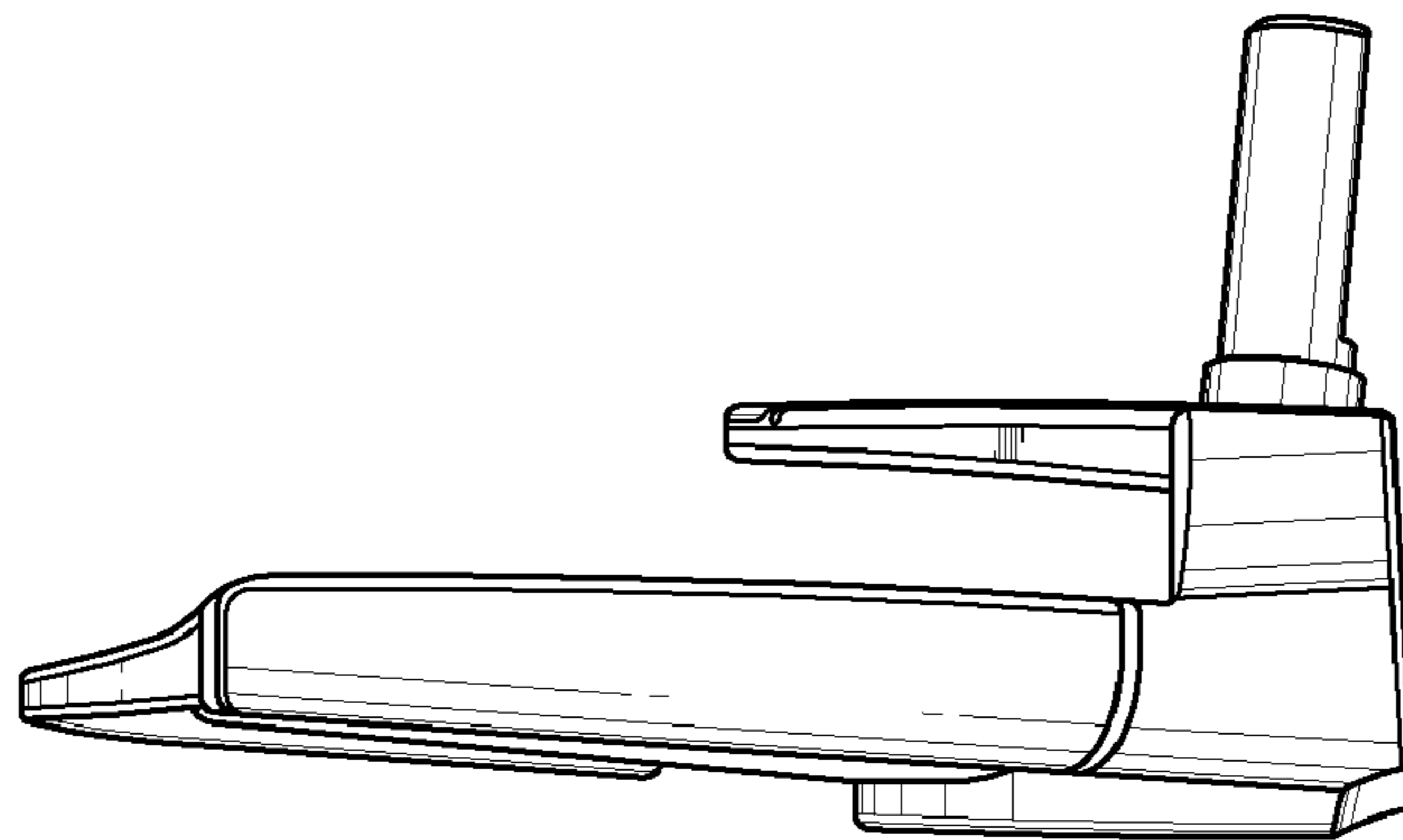


FIG. 6

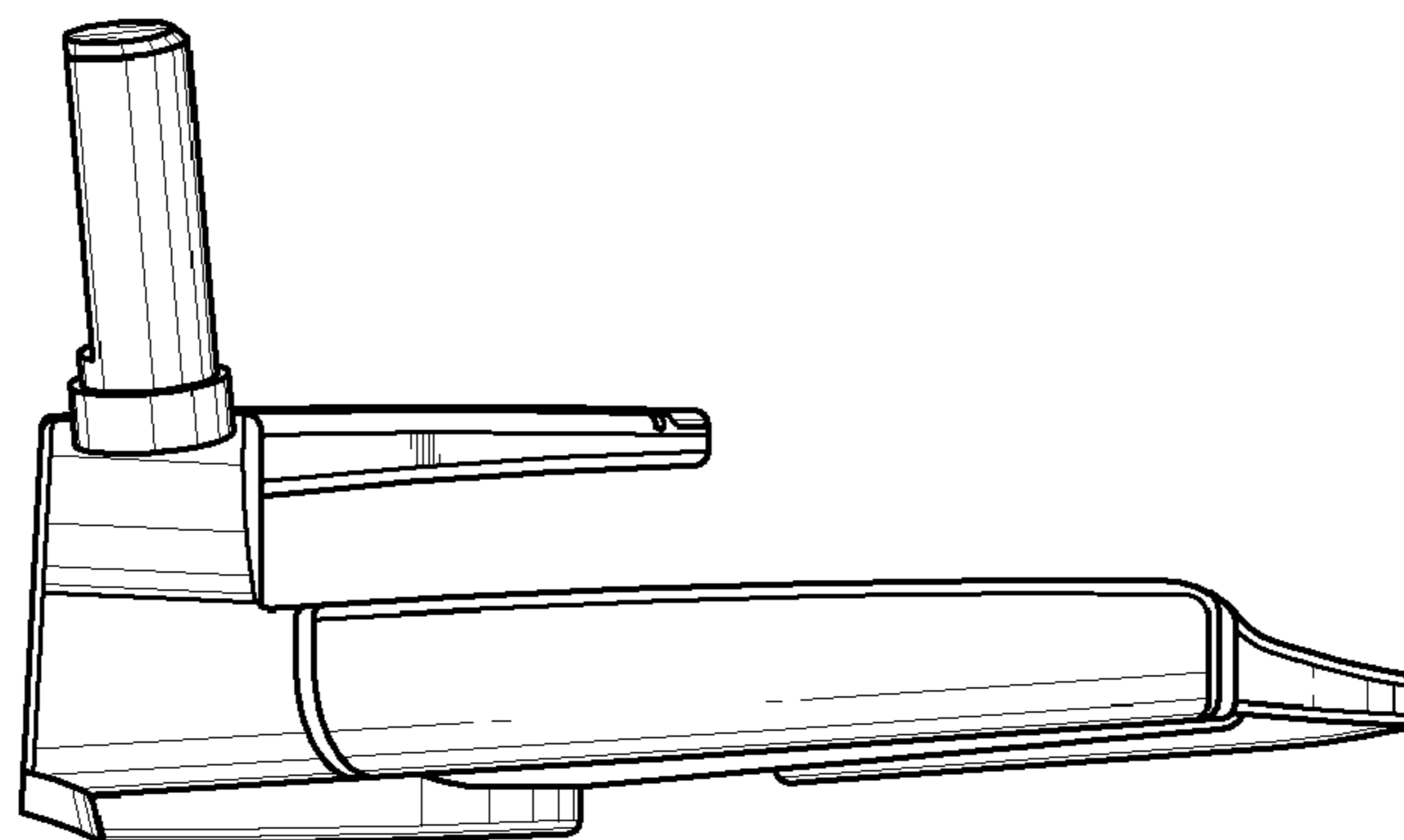


FIG. 7