



US00D626187S

(12) **United States Design Patent**
Friedman et al.

(10) **Patent No.:** **US D626,187 S**

(45) **Date of Patent:** **** *Oct. 26, 2010**

(54) **EXERCISE ASSEMBLY**

(75) Inventors: **Mark B. Friedman**, Simi Valley, CA
(US); **Alden M. Mills**, Kentfield, CA
(US); **Stephen G. Hauser**, Tarzana, CA
(US)

(73) Assignee: **Perfect Pushup, LLC**, Mill Valley, CA
(US)

(*) Notice: This patent is subject to a terminal disclaimer.

(**) Term: **14 Years**

(21) Appl. No.: **29/333,548**

(22) Filed: **Mar. 11, 2009**

(51) **LOC (9) Cl.** **21-02**

(52) **U.S. Cl.** **D21/679**

(58) **Field of Classification Search** D21/662,
D21/679, 681-682, 686, 688-689, 691, 694;
482/51, 71, 91, 132, 136, 146-147; 280/47.38,
280/51, 642; 74/551.1-551.8

See application file for complete search history.

(56) **References Cited**

U.S. PATENT DOCUMENTS

D291,820	S	*	9/1987	Carter, Jr.	D21/691
5,224,396	A	*	7/1993	Lobbezoo et al.	74/551.3
5,285,696	A	*	2/1994	Taylor	74/551.1
5,319,995	A	*	6/1994	Huang	74/551.8
D348,706	S	*	7/1994	Harrell	D21/691

D405,851	S	*	2/1999	McBride	D21/662
D425,151	S	*	5/2000	Landfair	D21/681
D473,273	S	*	4/2003	Crawford et al.	D21/694
6,722,689	B2	*	4/2004	Kreamer	280/642
D550,792	S	*	9/2007	Rogers et al.	D21/694

* cited by examiner

Primary Examiner—Philip S Hyder

Assistant Examiner—Susan E Krakower

(74) *Attorney, Agent, or Firm*—Charter IP LLC; Matthew J. Lattig

(57) **CLAIM**

The ornamental design for an exercise assembly, as shown and described.

DESCRIPTION

FIG. 1 is a perspective view of an exercise assembly showing our new design.

FIG. 2 is a top plan view thereof.

FIG. 3 is a bottom plan view thereof.

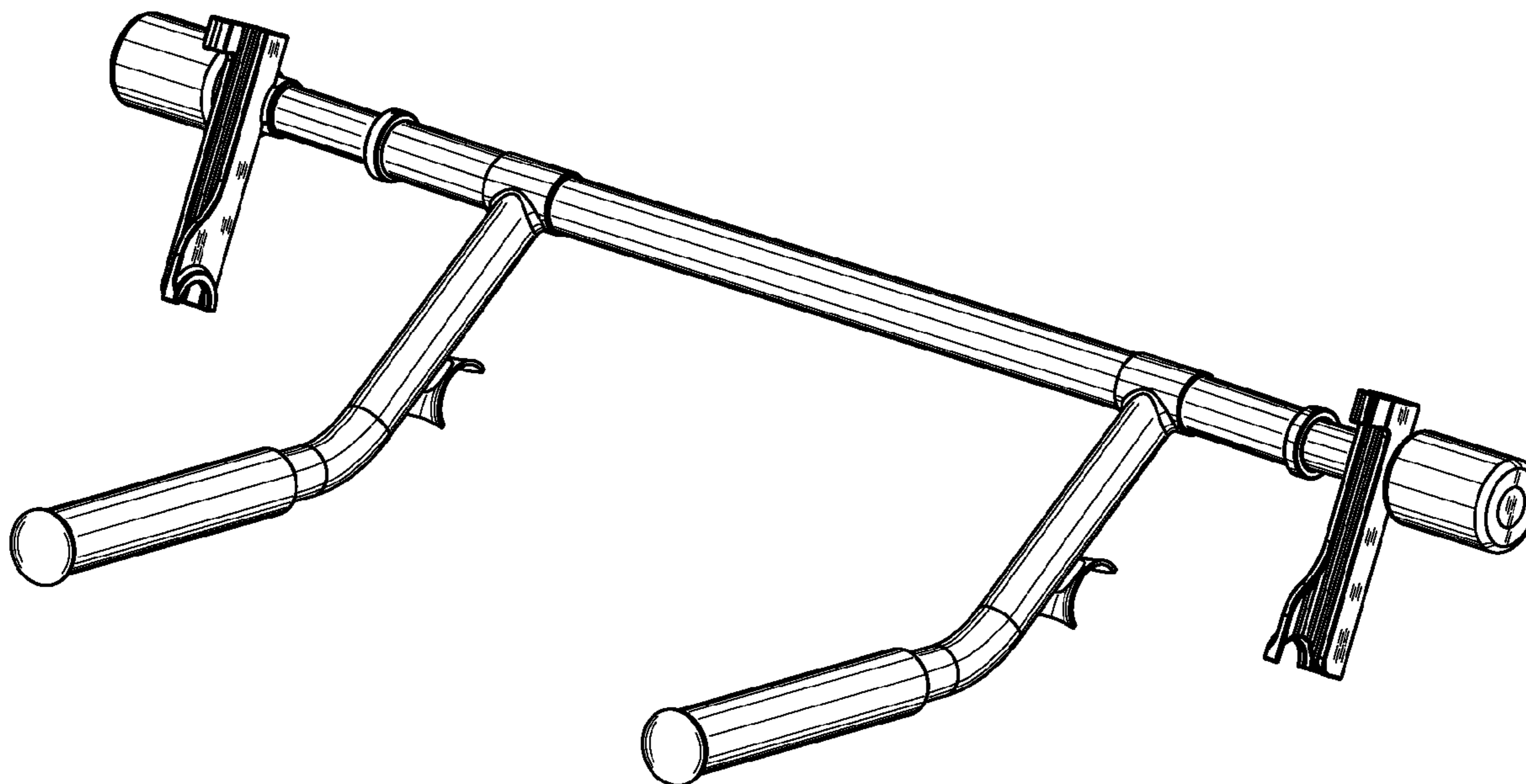
FIG. 4 is a front elevational view thereof.

FIG. 5 is a rear elevational view thereof; and,

FIG. 6 is a right side elevational view thereof, the left side elevational view being a mirror image of the right side elevational view and therefore not illustrated.

Any broken lines which may be shown in the views are for illustrative purposes only, and form no part of the claimed invention.

1 Claim, 4 Drawing Sheets



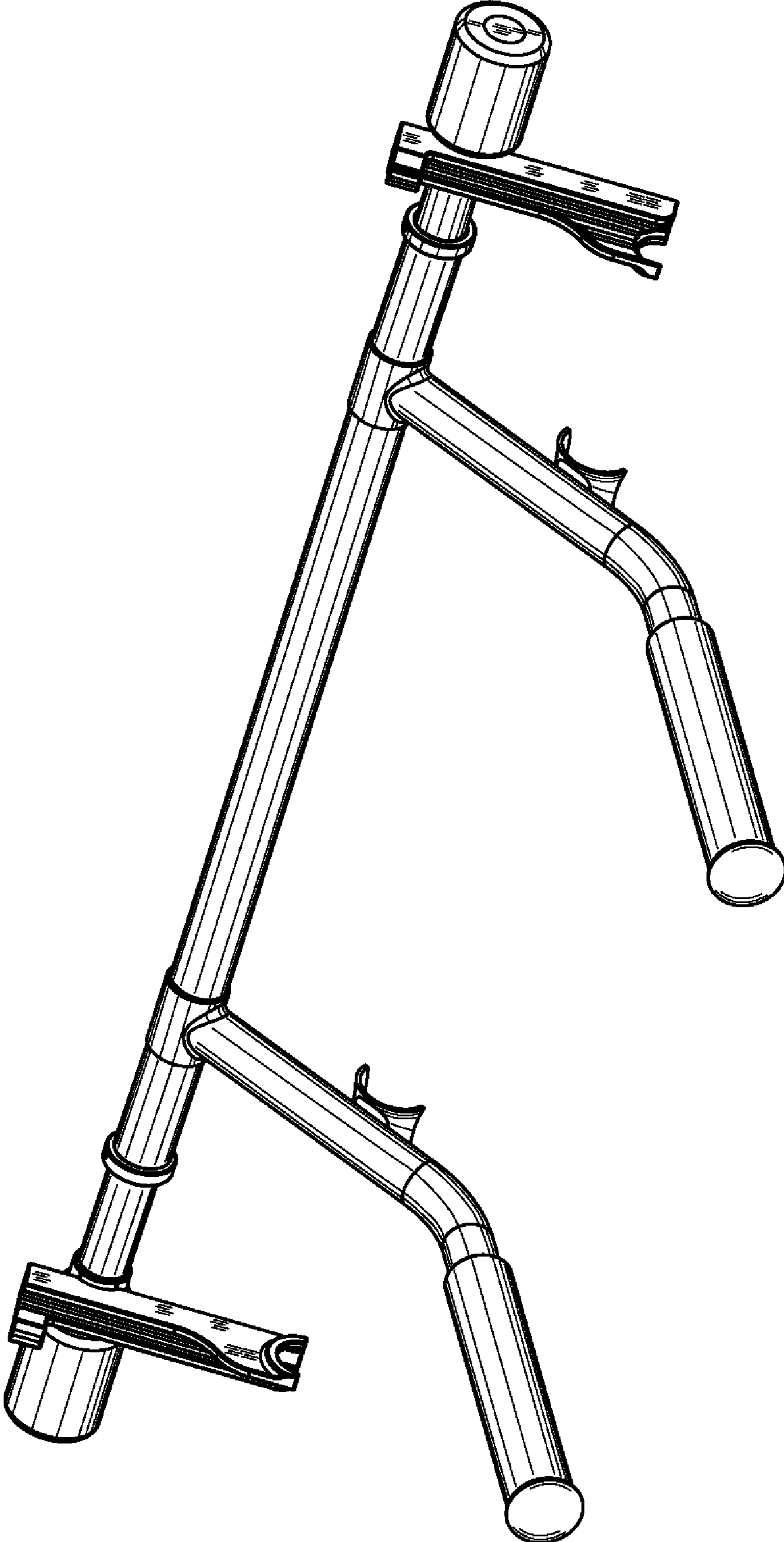


FIG. 1

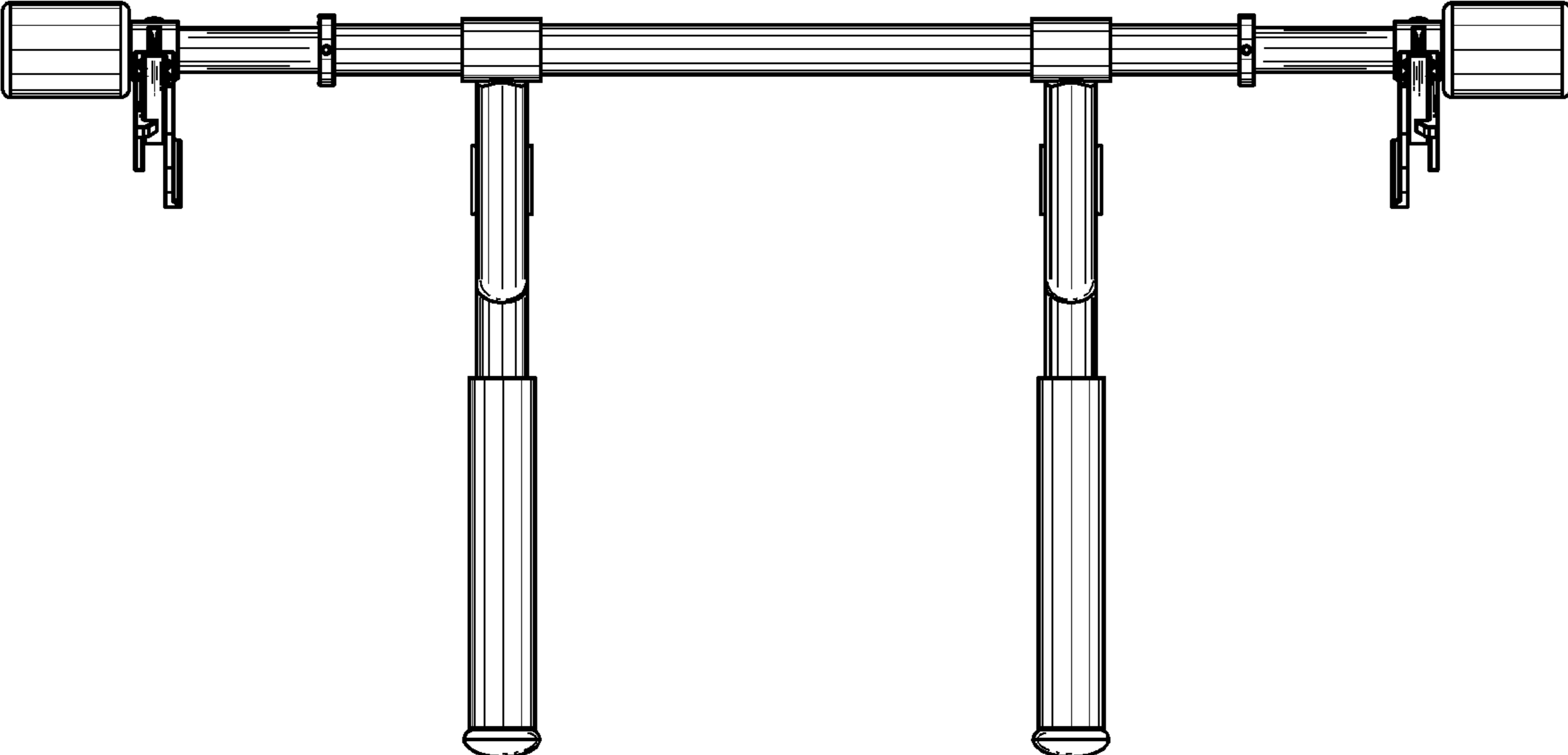


FIG. 2

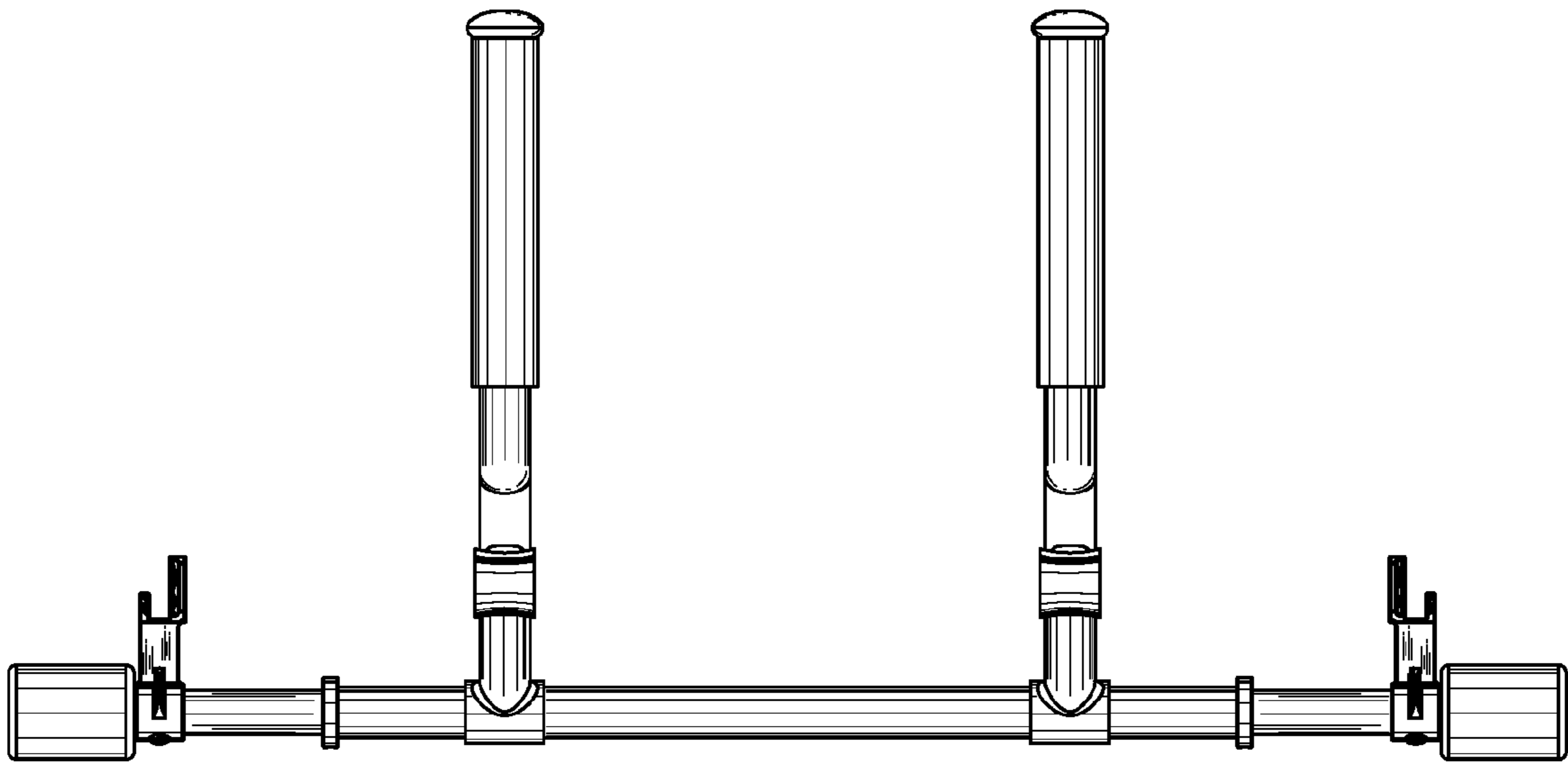


FIG. 3



FIG. 4



FIG. 5

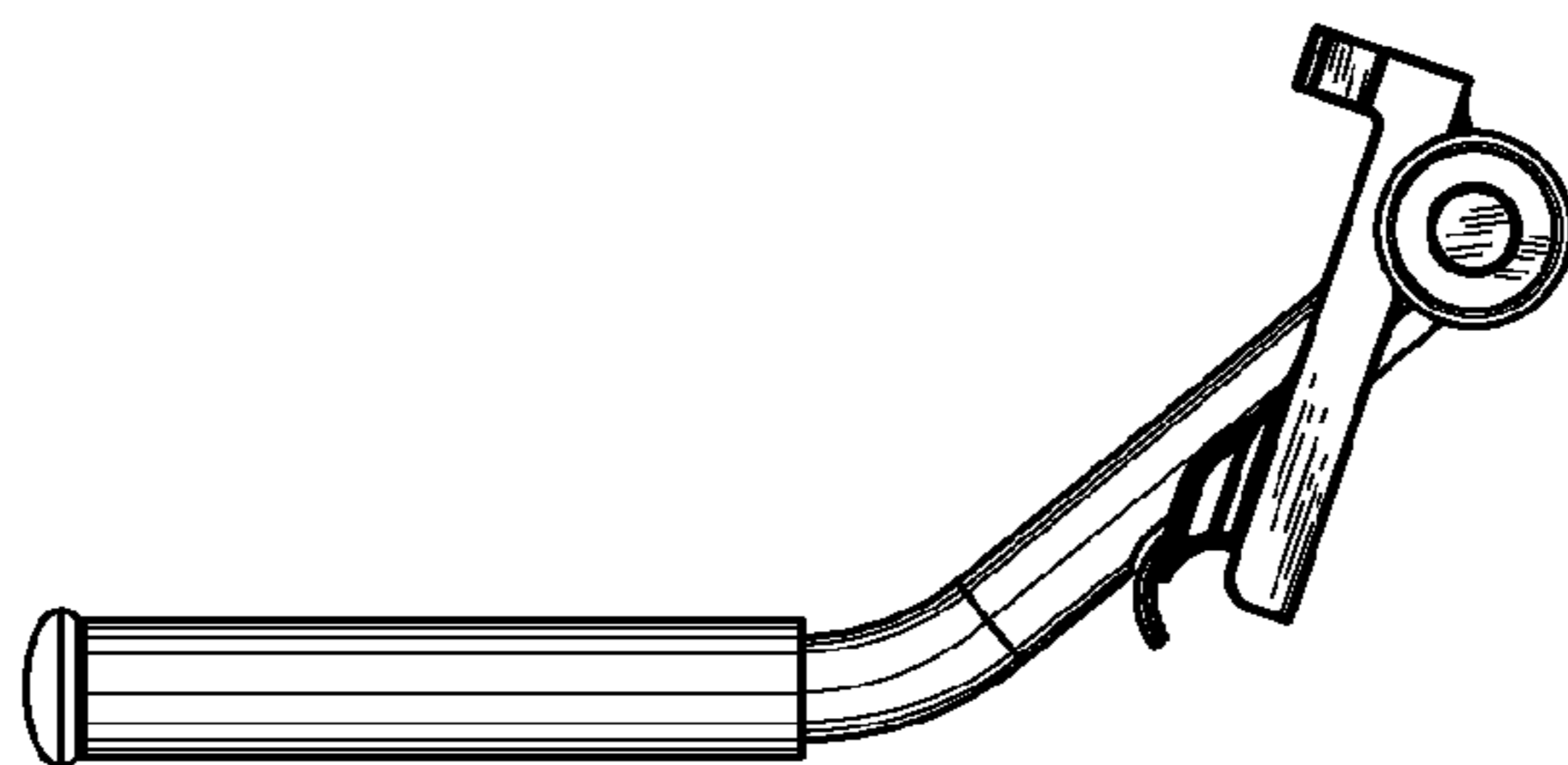


FIG. 6