



US00D626185S

(12) **United States Design Patent**
Wu

(10) **Patent No.:** **US D626,185 S**
(45) **Date of Patent:** **** Oct. 26, 2010**

(54) **VIBRATION EXERCISER**

(76) **Inventor:** **Mu-Chuan Wu**, No. 462-7, Chung-Shan Rd., Hsi-Kang Chun, Hsi-Kang Hsiang, Tainan Hsien (TW)

(**) **Term:** **14 Years**

(21) **Appl. No.:** **29/316,737**

(22) **Filed:** **Oct. 27, 2009**

(51) **LOC (9) Cl.** **21-02**

(52) **U.S. Cl.** **D21/662**

(58) **Field of Classification Search** D21/662,
D21/668, 671, 686, 688, 689; D24/200,
D24/215; 601/23, 49, 51, 66, 70, 90; 482/27,
482/51, 145, 146, 91
See application file for complete search history.

(56) **References Cited**

U.S. PATENT DOCUMENTS

D518,533	S	*	4/2006	van der Meer	D21/662
D522,074	S	*	5/2006	Dummel	D21/662
7,278,977	B1	*	10/2007	Chen	601/30
D561,273	S	*	2/2008	Wu	D21/662
D571,416	S	*	6/2008	Wu	D21/662
D574,900	S	*	8/2008	Meile Marcel Tamminga	D21/662
D576,228	S	*	9/2008	Hahn	D21/668
D586,867	S	*	2/2009	Wu	D21/662
D591,366	S	*	4/2009	Decommer	D21/662
D599,862	S	*	9/2009	Decommer	D21/662

D601,211	S	*	9/2009	Wu	D21/686
D602,540	S	*	10/2009	Minter	D21/662
2007/0213179	A1	*	9/2007	Trandafir	482/51
2007/0239088	A1	*	10/2007	Wu	601/49
2008/0275373	A1	*	11/2008	van der Meer	601/49
2009/0247914	A1	*	10/2009	Shen et al.	601/49
2009/0264801	A1	*	10/2009	Van Der Meer	601/70

* cited by examiner

Primary Examiner—Susan E Krakower

(74) *Attorney, Agent, or Firm*—Charles E. Baxley

(57) **CLAIM**

The ornamental design for a vibration exerciser, as shown and described.

DESCRIPTION

FIG. 1 is a front perspective view of a vibration exerciser, showing my new design;

FIG. 2 is a front view thereof;

FIG. 3 is a rear view thereof;

FIG. 4 is a left view thereof;

FIG. 5 is a right view thereof;

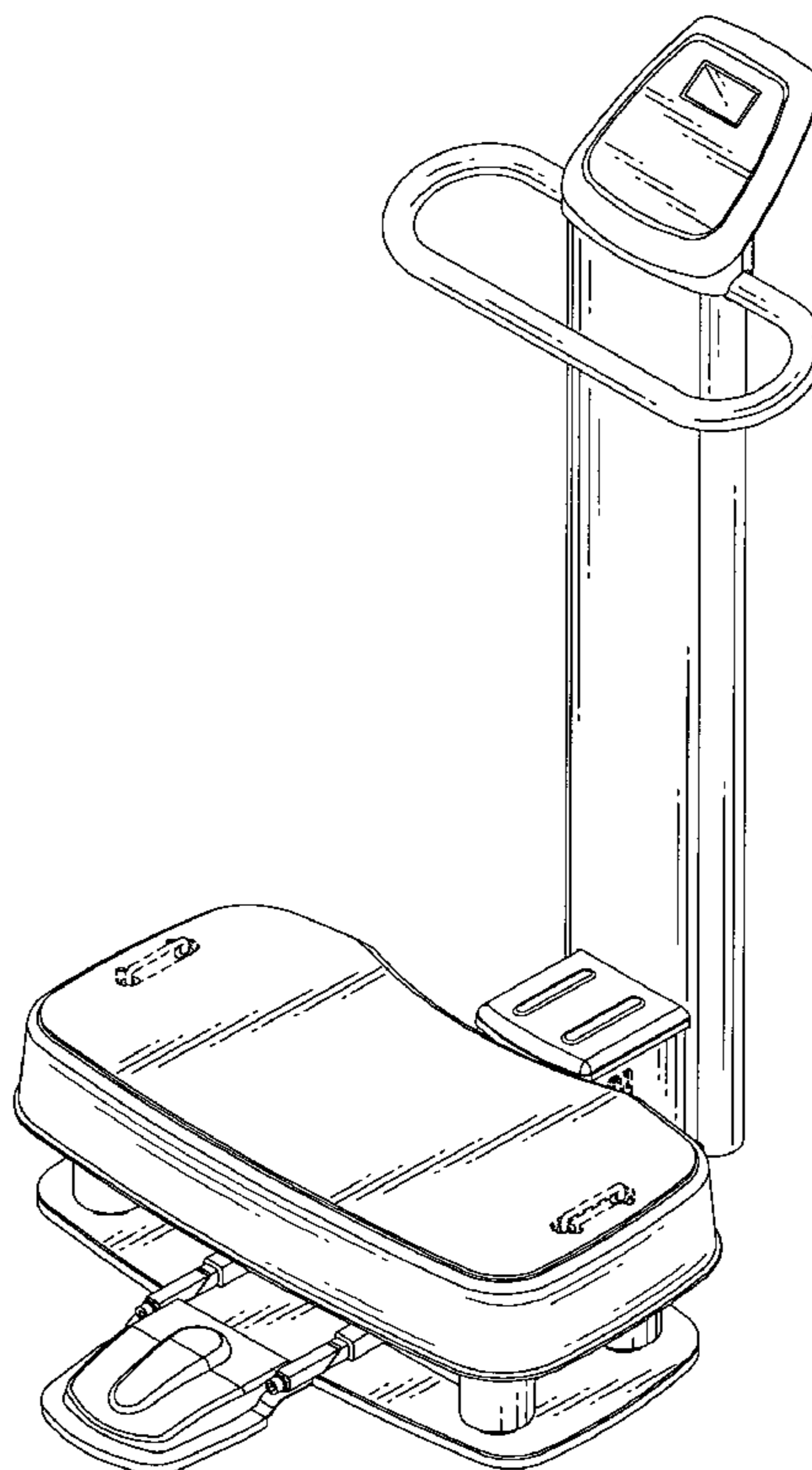
FIG. 6 is a top view thereof;

FIG. 7 is a bottom view thereof; and,

FIG. 8 is a rear perspective view thereof.

The broken lines illustrate portions of the vibration exerciser which form no part of the claimed design.

1 Claim, 8 Drawing Sheets



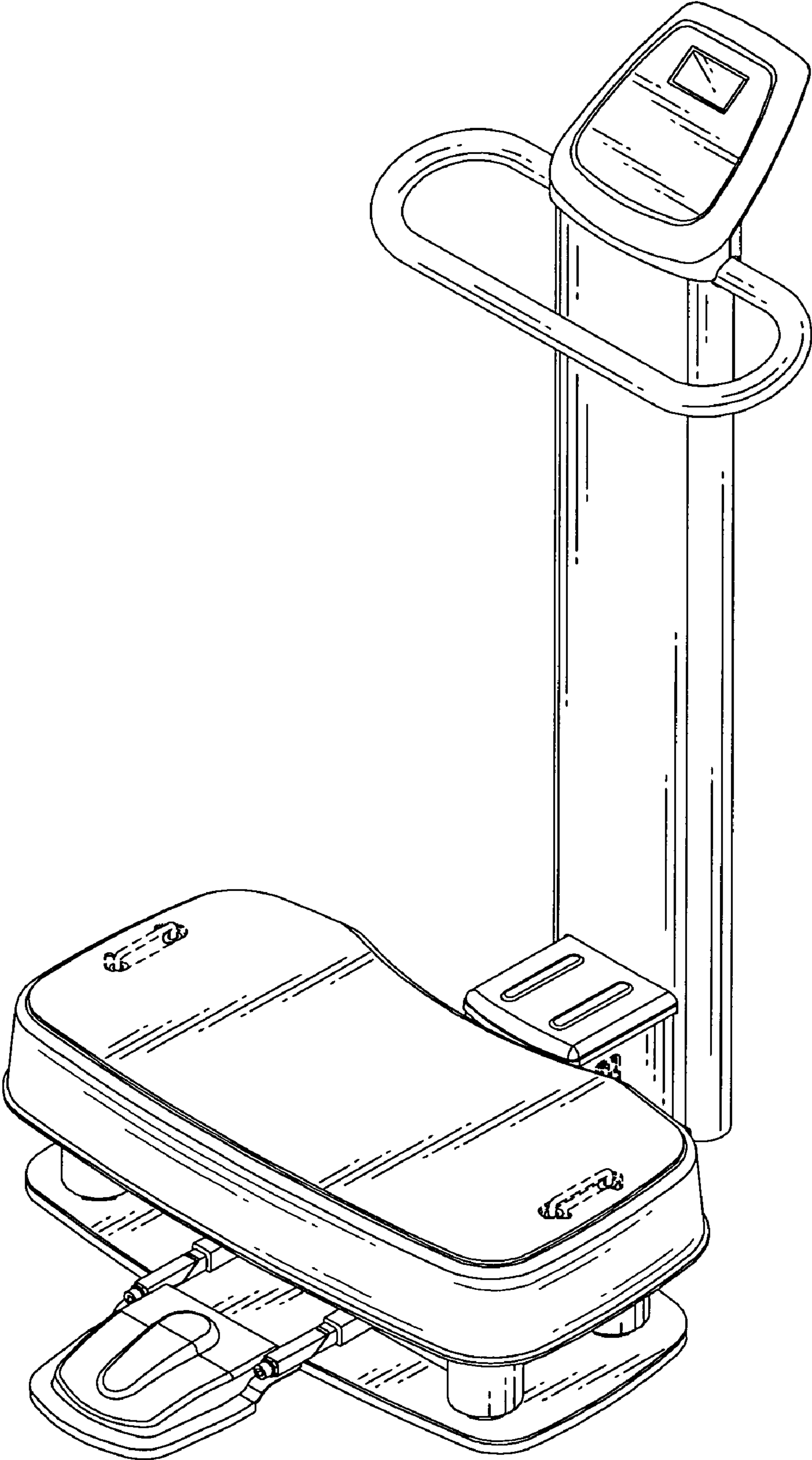


FIG.1

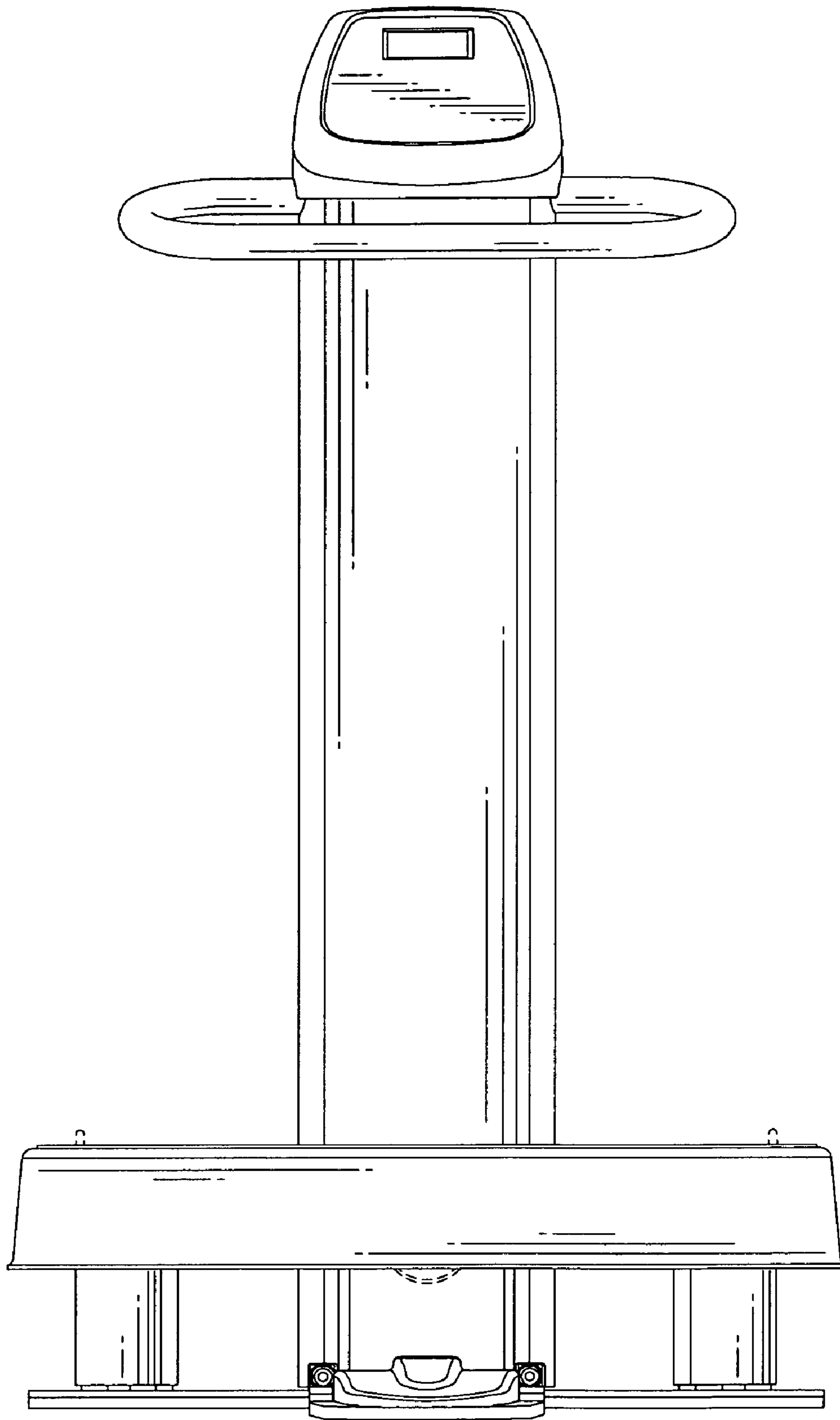


FIG.2

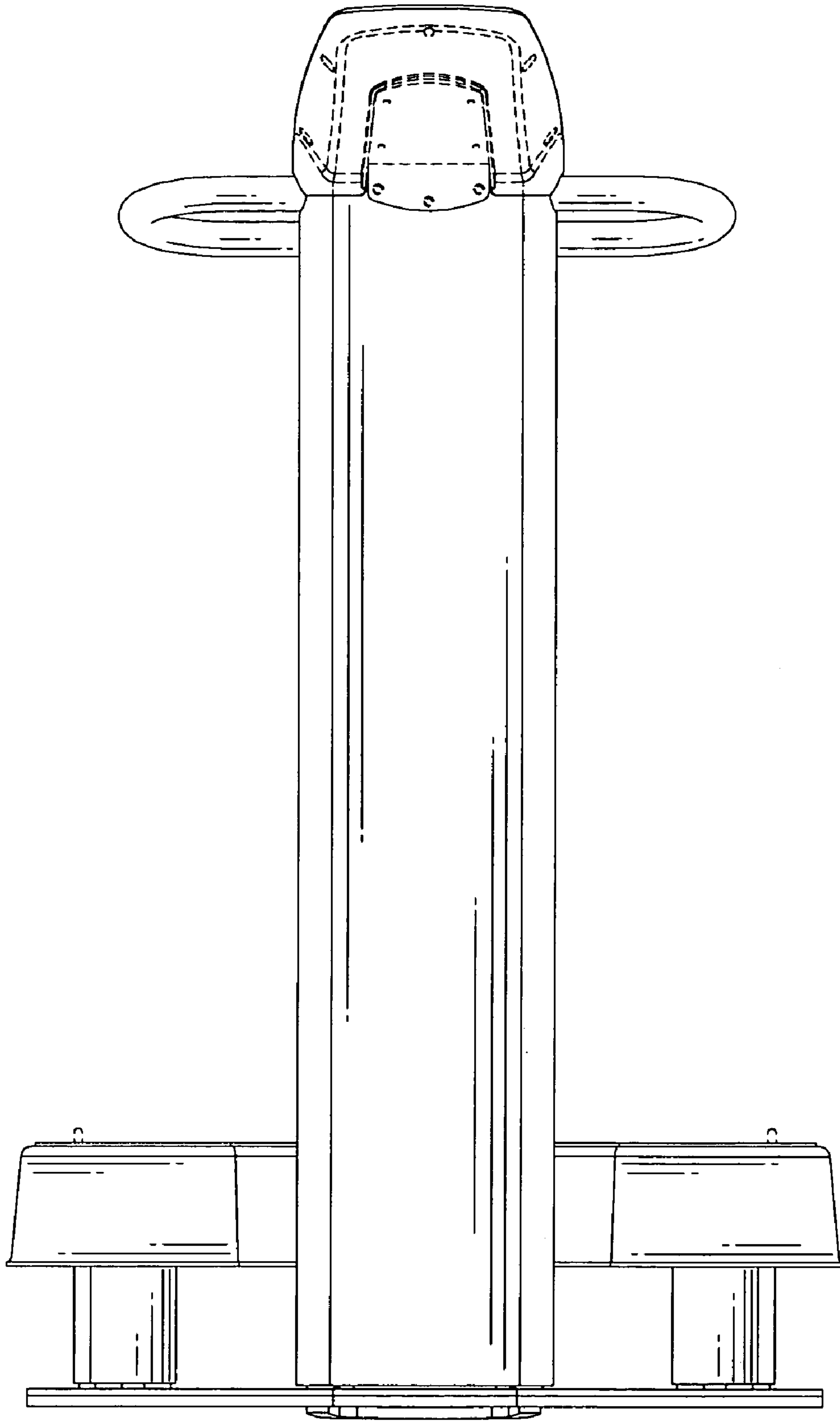


FIG.3

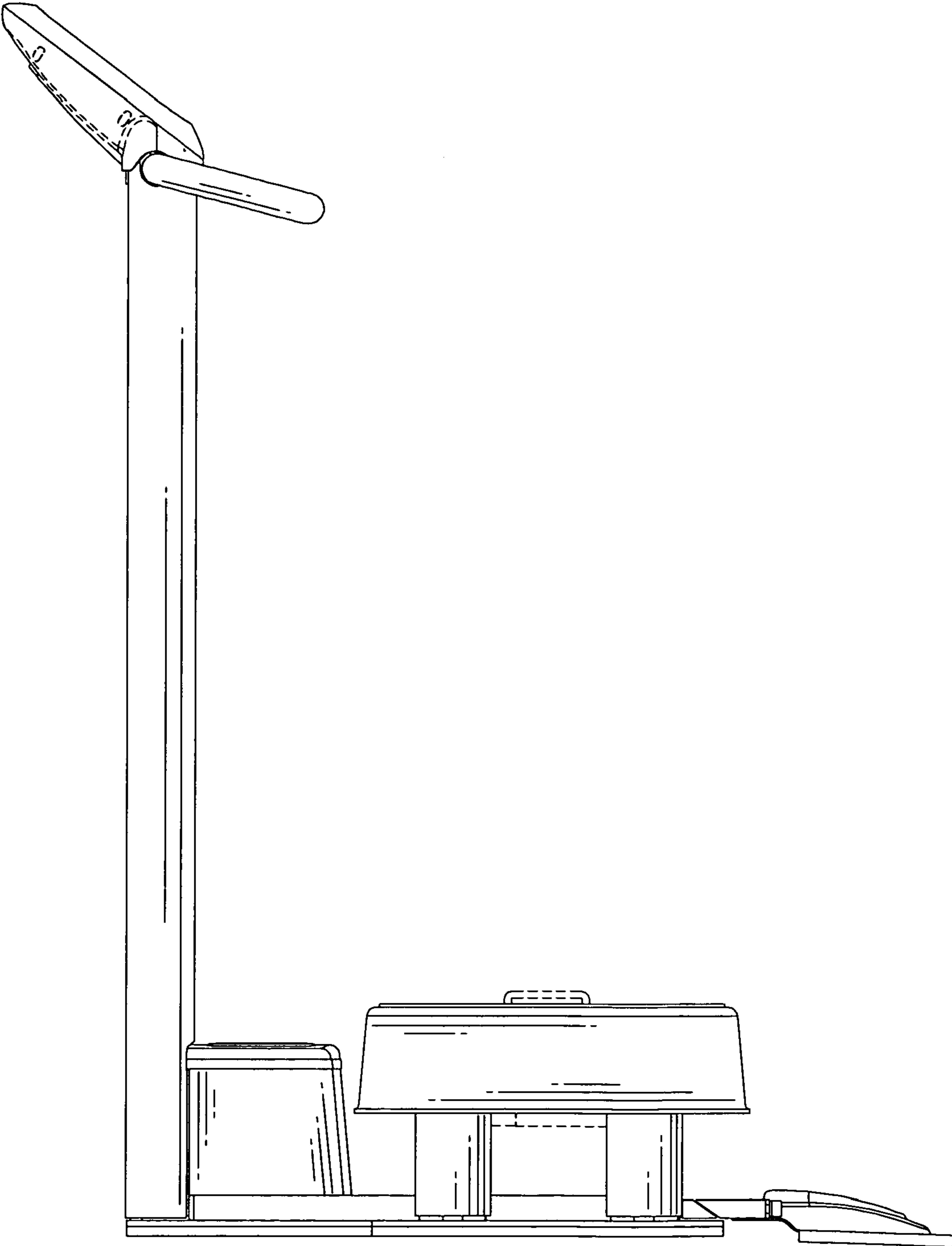


FIG.4

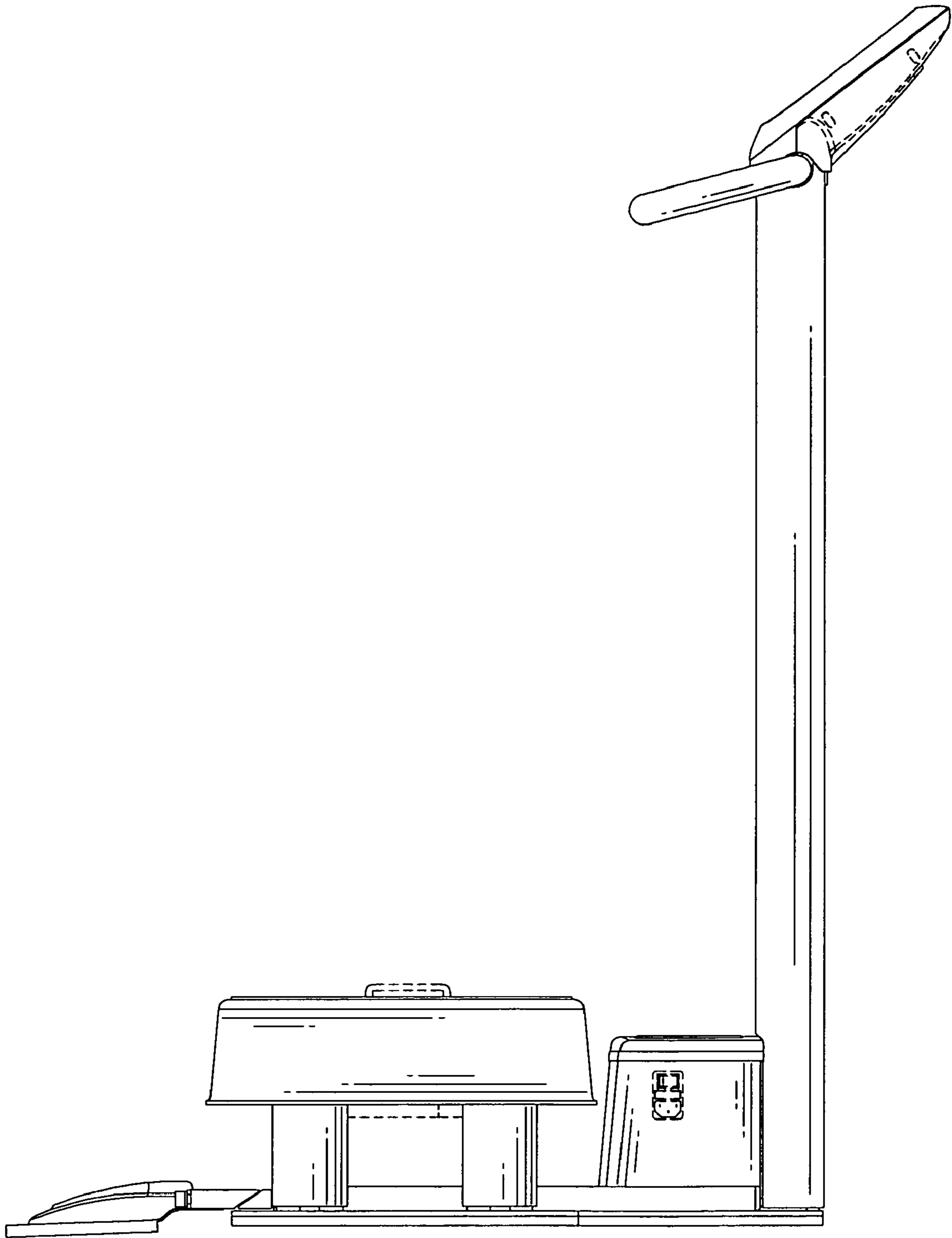


FIG.5

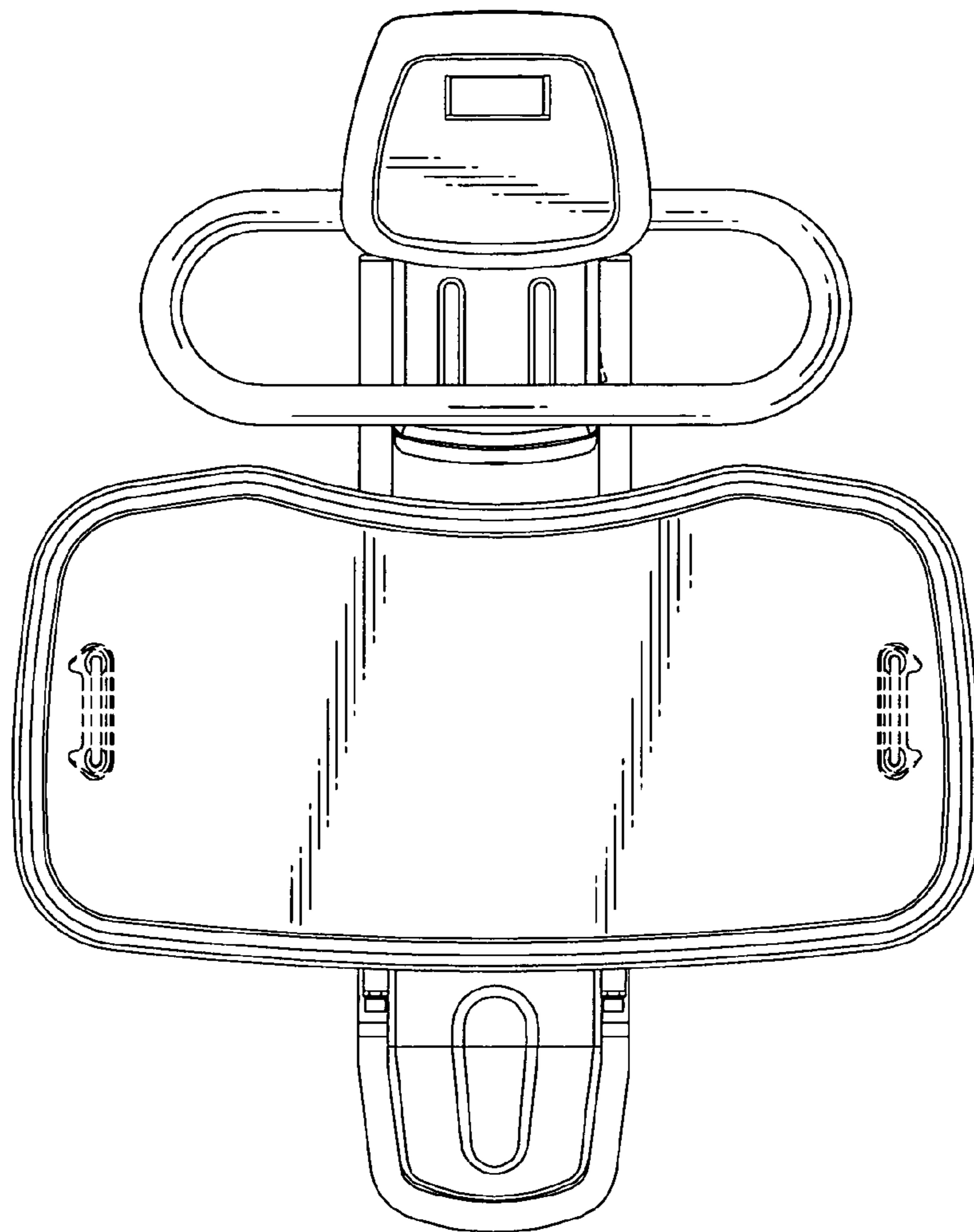


FIG.6

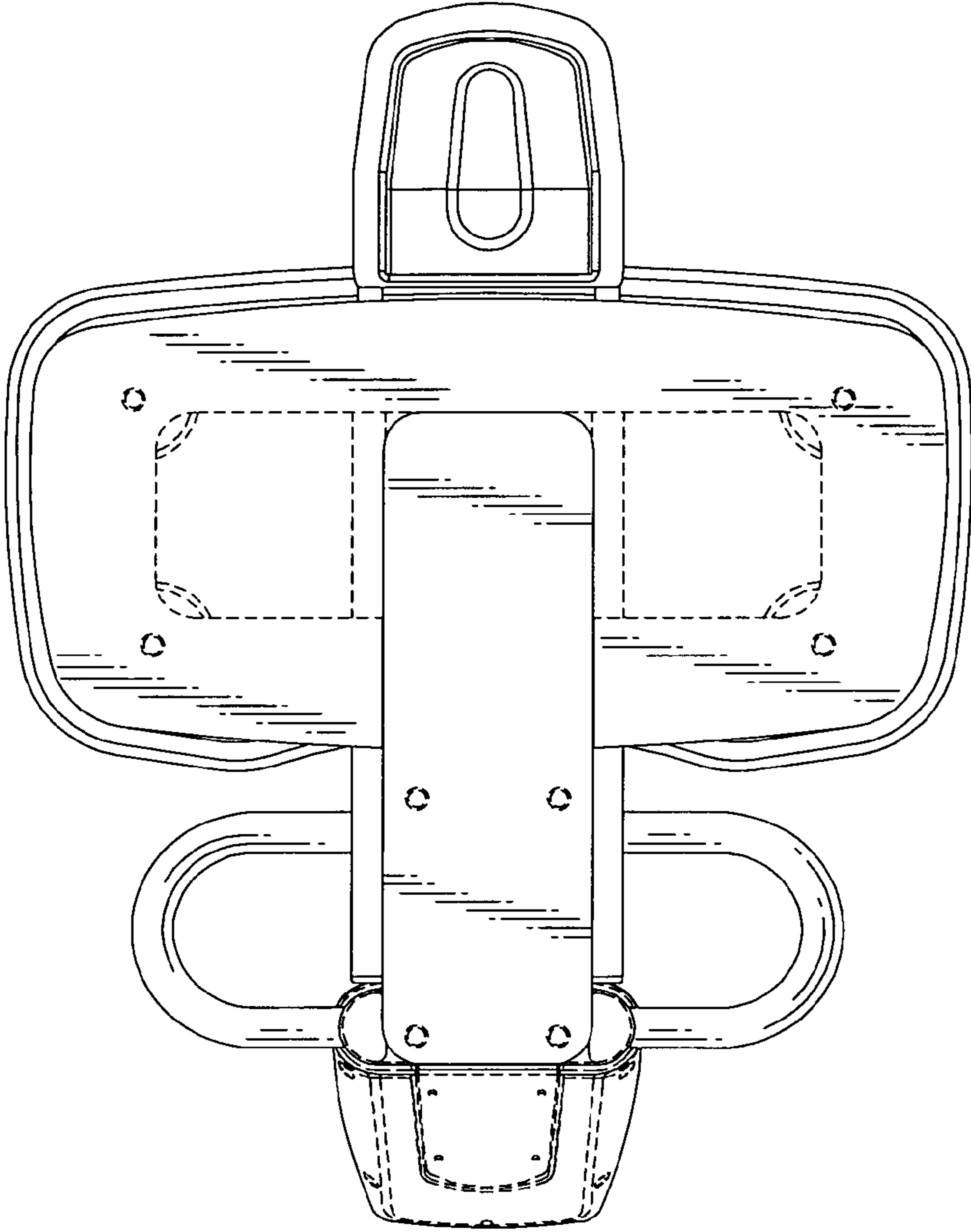


FIG.7

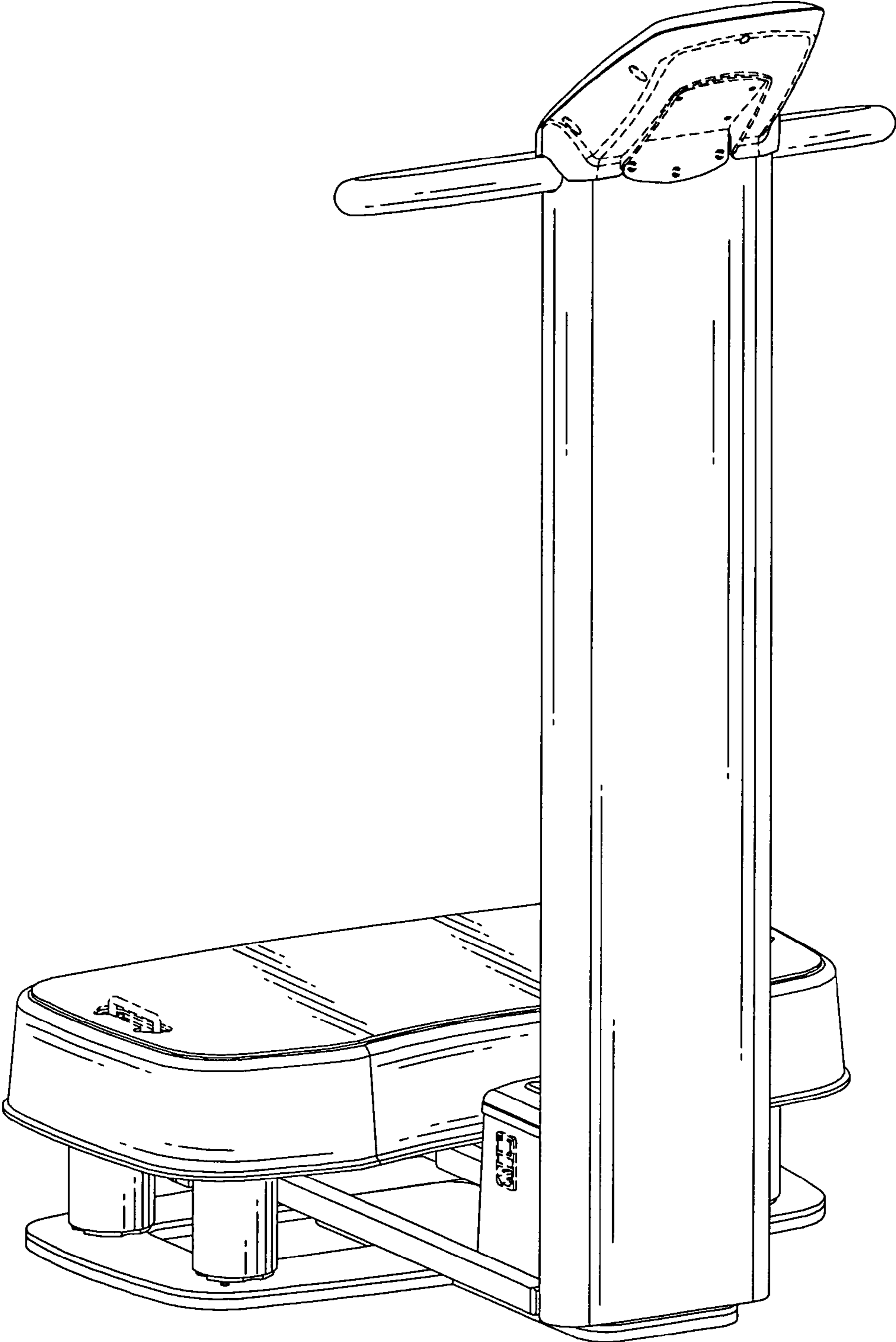


FIG.8