



US00D626182S

(12) **United States Design Patent**  
**Cole et al.**

(10) **Patent No.:** **US D626,182 S**  
(45) **Date of Patent:** **\*\* Oct. 26, 2010**

(54) **GAMING MACHINE**

(75) Inventors: **Joseph W. Cole**, Gallatin, TN (US);  
**Edward H. Comfort**, North Las Vegas,  
NV (US); **Dirk Haton**, Las Vegas, NV  
(US)

(73) Assignee: **Cole Kepro International, LLC**, Las  
Vegas, NV (US)

(\*\*) Term: **14 Years**

(21) Appl. No.: **29/316,733**

(22) Filed: **Oct. 26, 2009**

(51) **LOC (9) Cl.** ..... **21-03**

(52) **U.S. Cl.** ..... **D21/369**

(58) **Field of Classification Search** ..... D21/324–331,  
D21/369–371, 385; 273/274, 292; 463/16–17,  
463/20, 31, 46–47

See application file for complete search history.

(56) **References Cited**

U.S. PATENT DOCUMENTS

D333,164 S	2/1993	Kraft et al.	
D424,122 S	5/2000	Dickenson et al.	
6,334,612 B1	1/2002	Wurz et al.	
D459,402 S *	6/2002	Wurz et al.	..... D21/369
D460,915 S	7/2002	Lynch	
6,443,837 B1	9/2002	Jaffe et al.	
D464,377 S	10/2002	Wurz et al.	
D495,755 S	9/2004	Wurz et al.	
D496,407 S	9/2004	Gadda et al.	
D559,917 S	1/2008	Cole	
2006/0131810 A1	6/2006	Nicely	

\* cited by examiner

*Primary Examiner*—Sandra Morris

(74) *Attorney, Agent, or Firm*—Weide & Miller, Ltd.

(57) **CLAIM**

The ornamental design for a gaming machine, as shown and described.

**DESCRIPTION**

FIG. 1 is a front perspective view of a gaming machine in accordance with a first embodiment of the present invention; FIG. 2 is a plan top view of the gaming machine illustrated in FIG. 1;

FIG. 3 is a plan front view of the gaming machine illustrated in FIG. 1;

FIG. 4 is a plan first side view of the gaming machine illustrated in FIG. 1;

FIG. 5 is a plan second side view of the gaming machine illustrated in FIG. 1;

FIG. 6 is a plan back view of the gaming machine illustrated in FIG. 1;

FIG. 7 is a plan bottom view of the gaming machine illustrated in FIG. 1;

FIG. 8 is a front perspective view of a gaming machine in accordance with a second embodiment of the present invention;

FIG. 9 is a plan top view of the gaming machine illustrated in FIG. 8;

FIG. 10 is a plan front view of the gaming machine illustrated in FIG. 8;

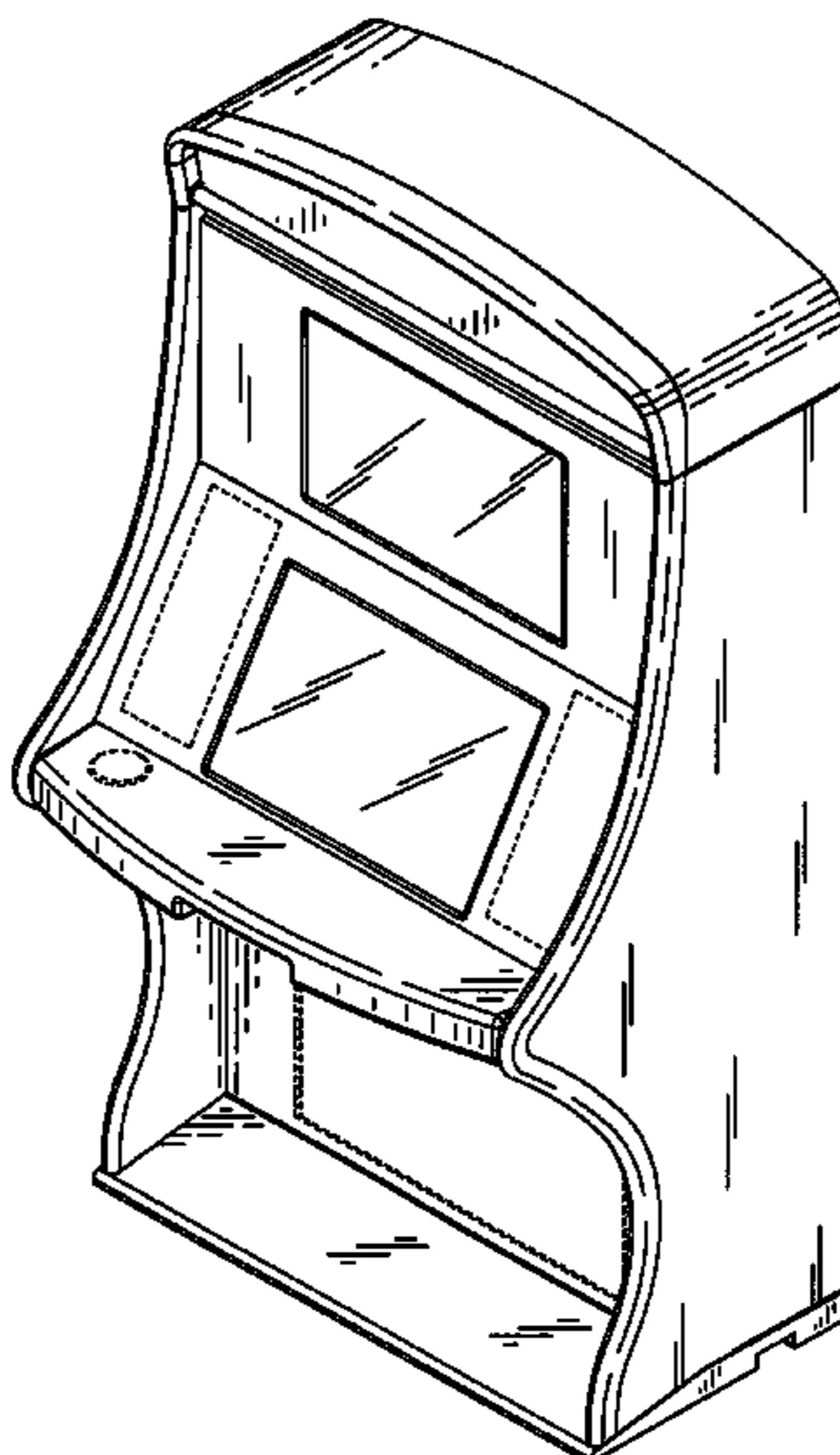
FIG. 11 is a plan first side view of the gaming machine illustrated in FIG. 8;

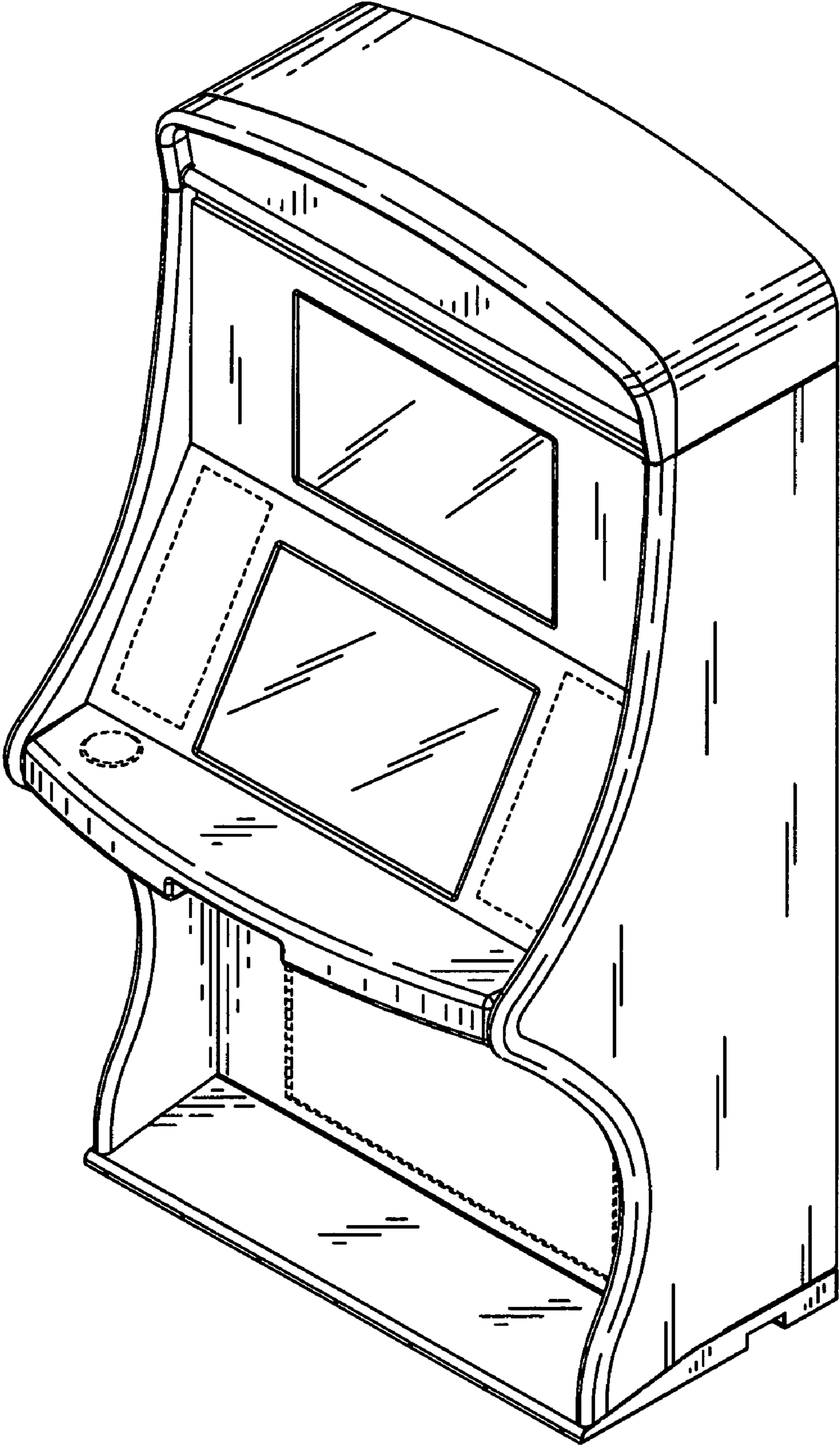
FIG. 12 is a plan second side view of the gaming machine illustrated in FIG. 8;

FIG. 13 is a plan back view of the gaming machine illustrated in FIG. 8; and,

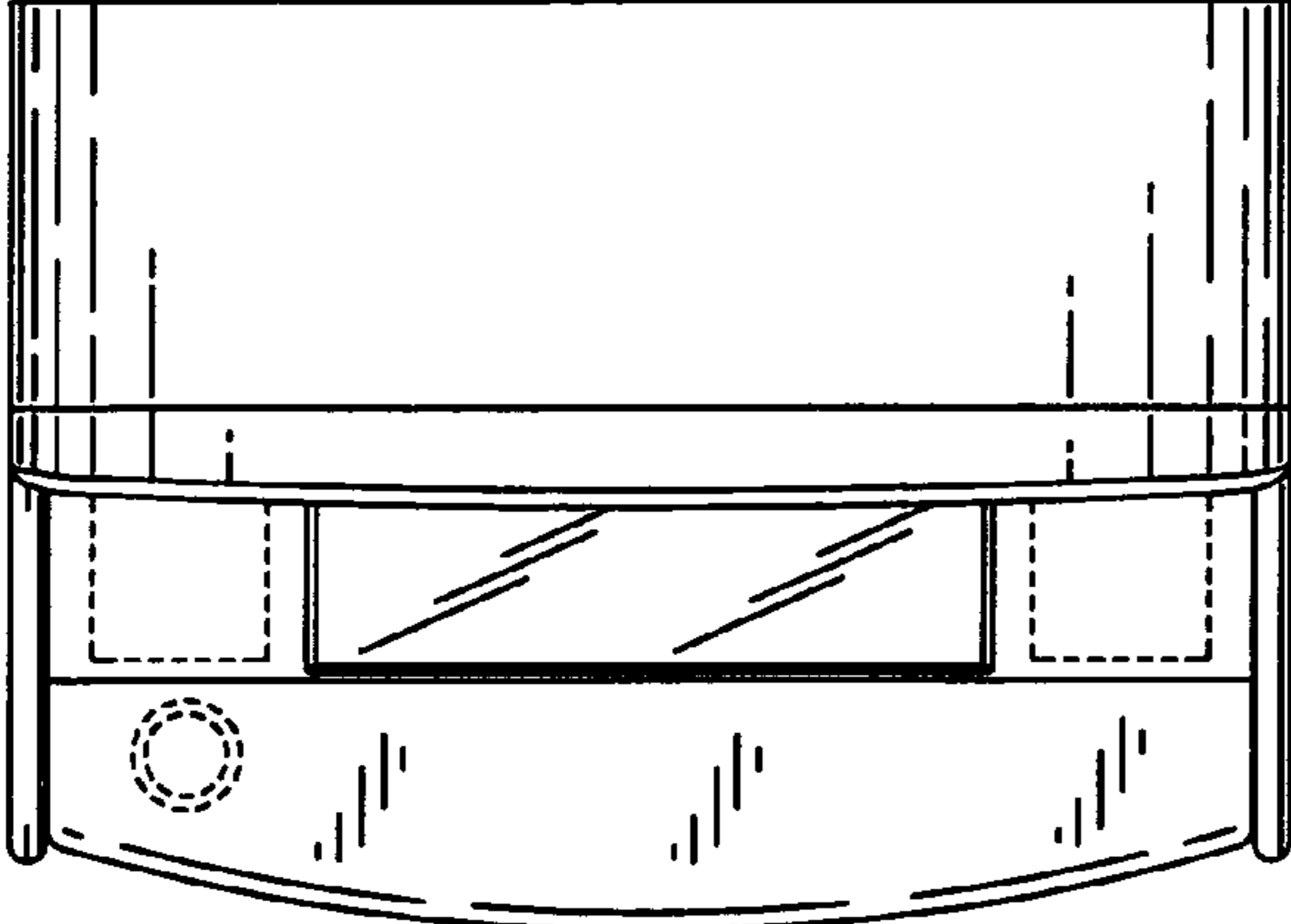
FIG. 14 is a plan bottom view of the gaming machine illustrated in FIG. 8.

**1 Claim, 6 Drawing Sheets**

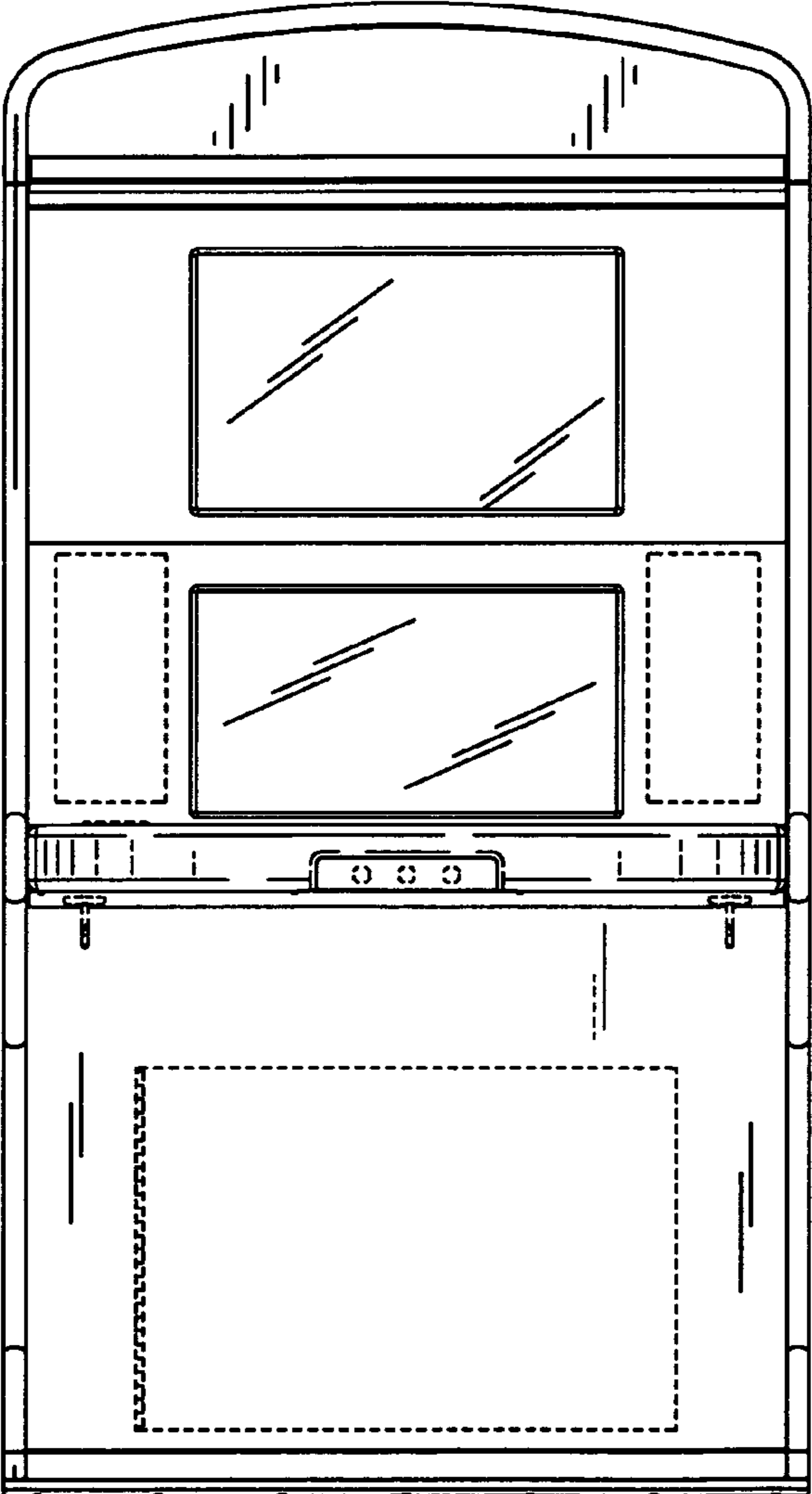




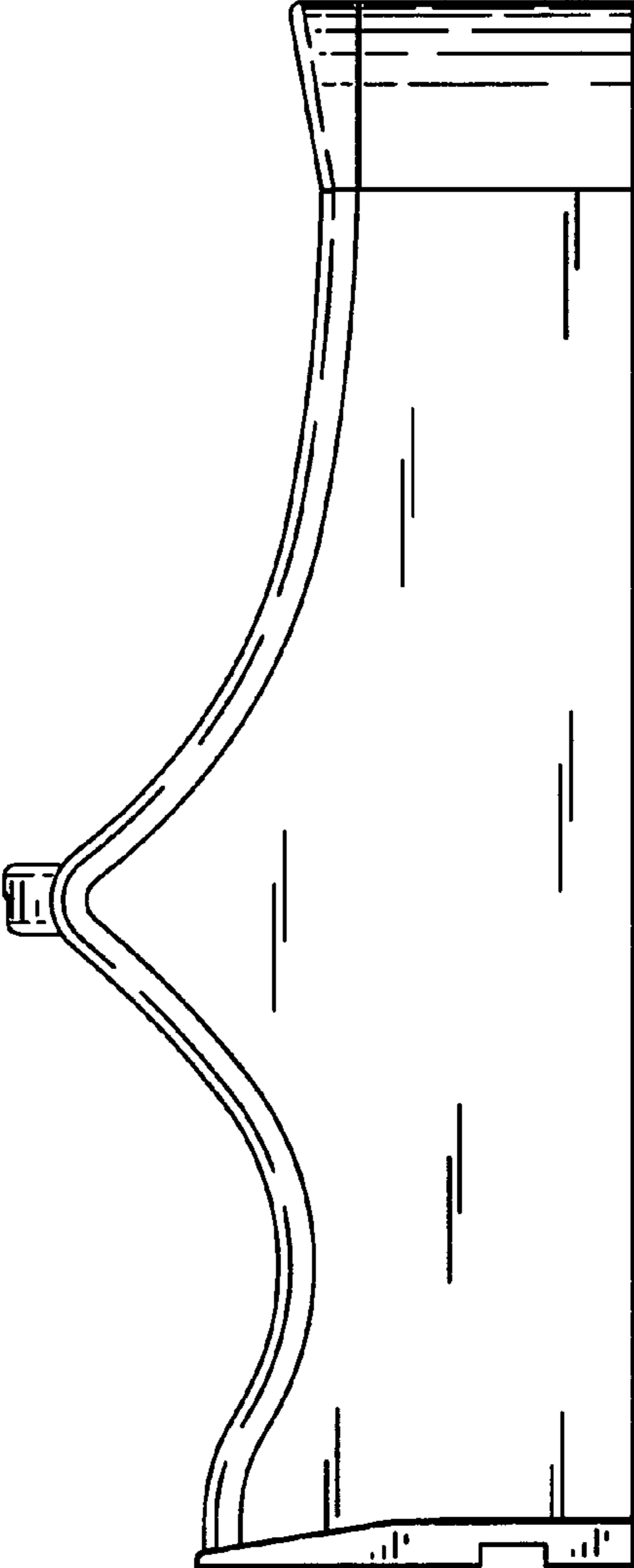
*Fig. 1*



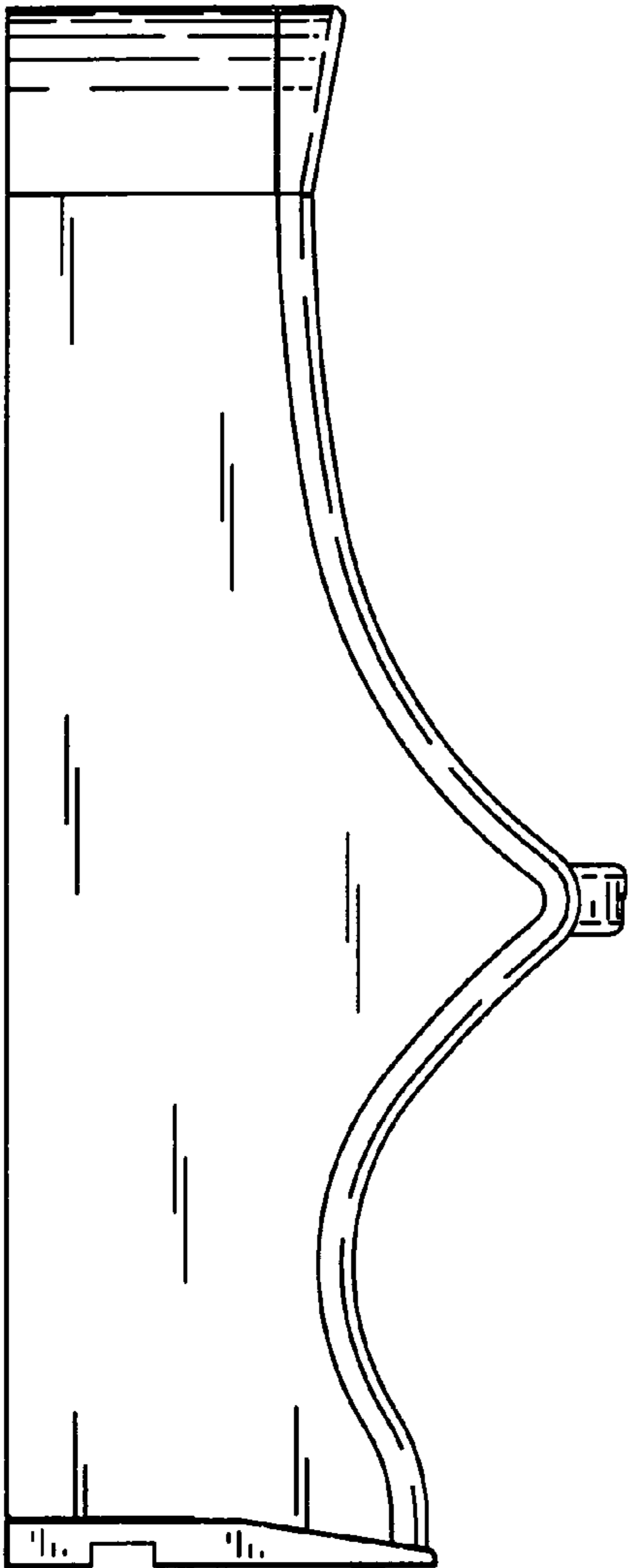
*Fig. 2*



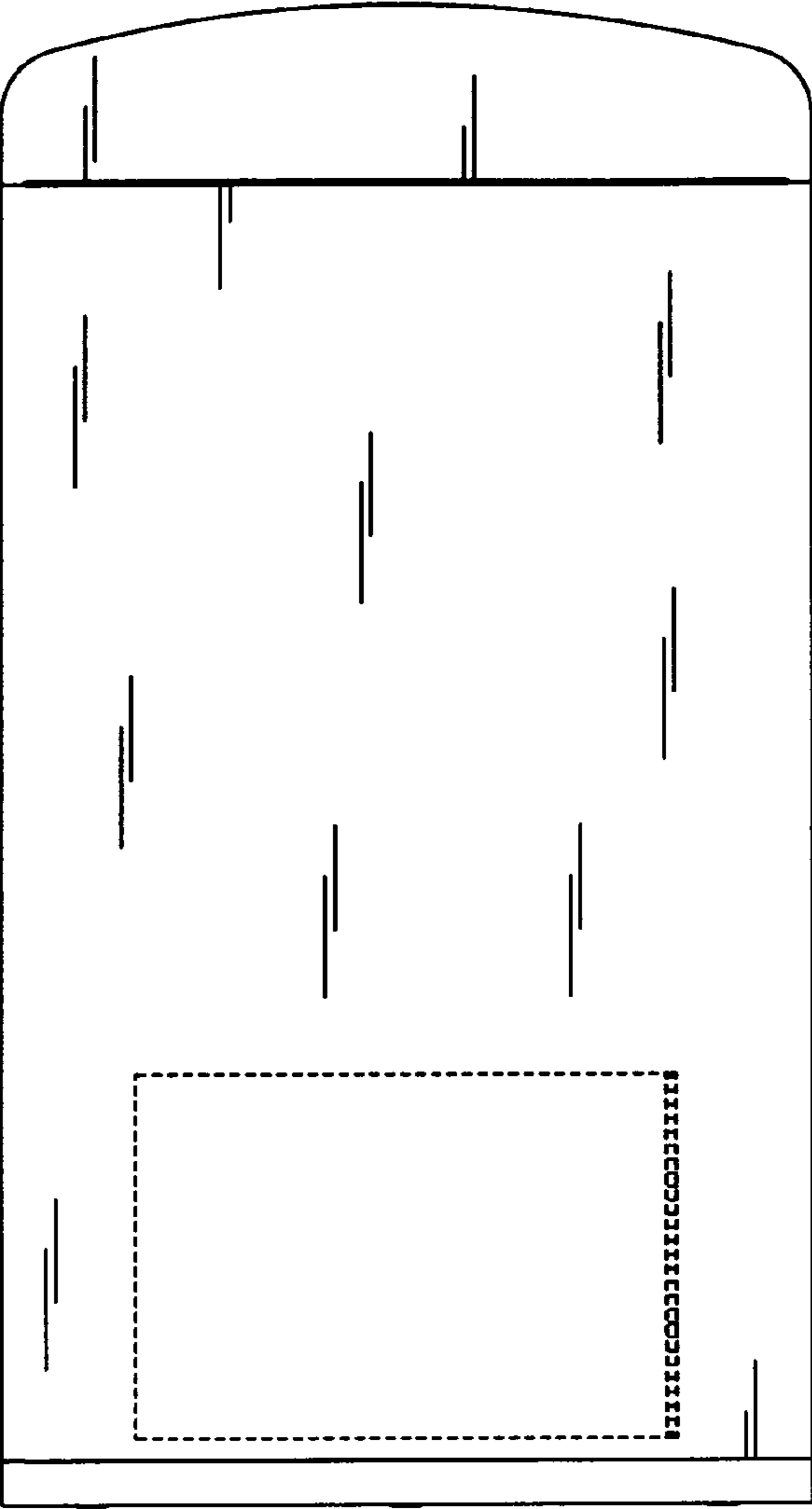
*Fig. 3*



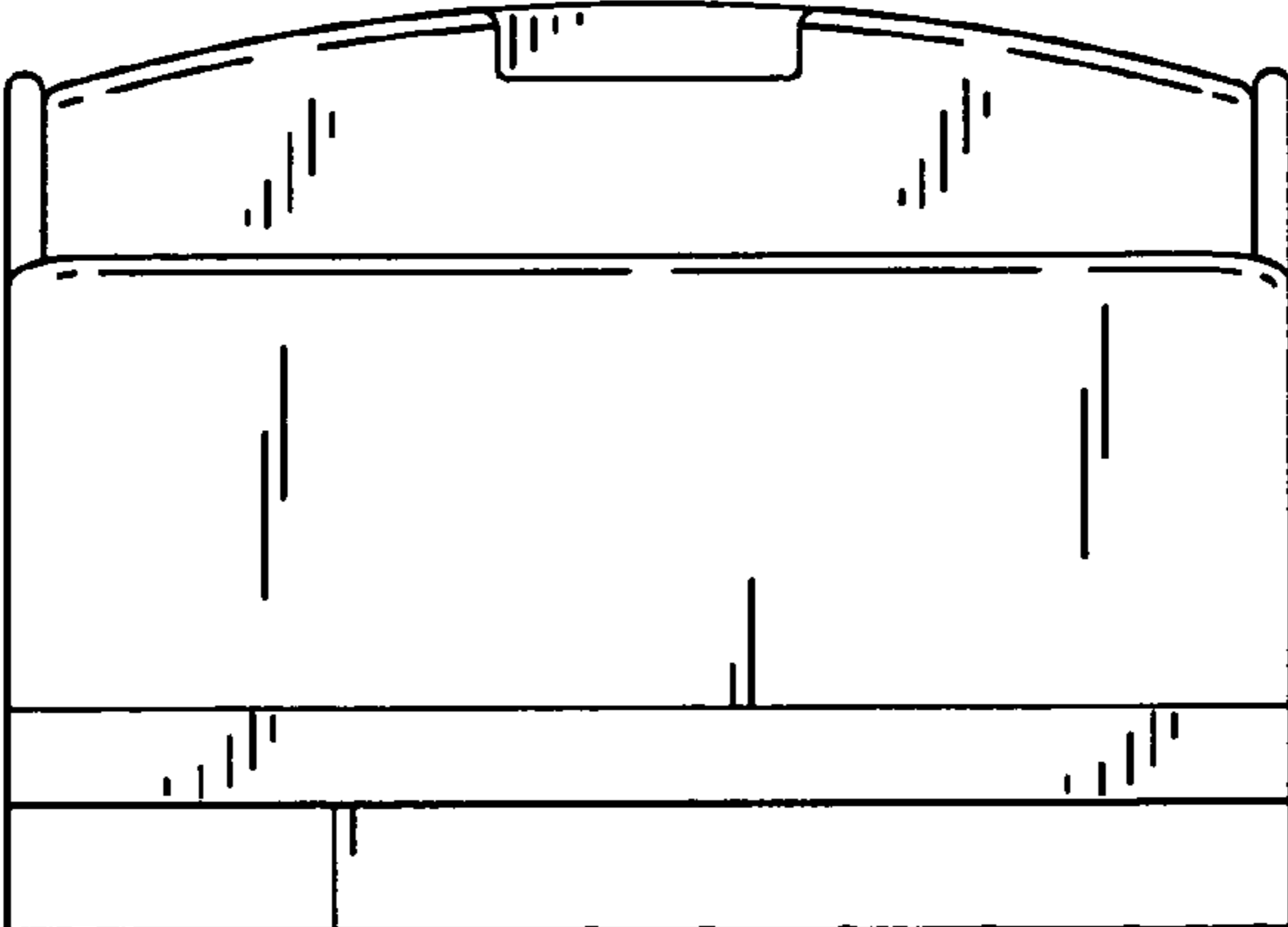
*Fig. 4*



*Fig. 5*

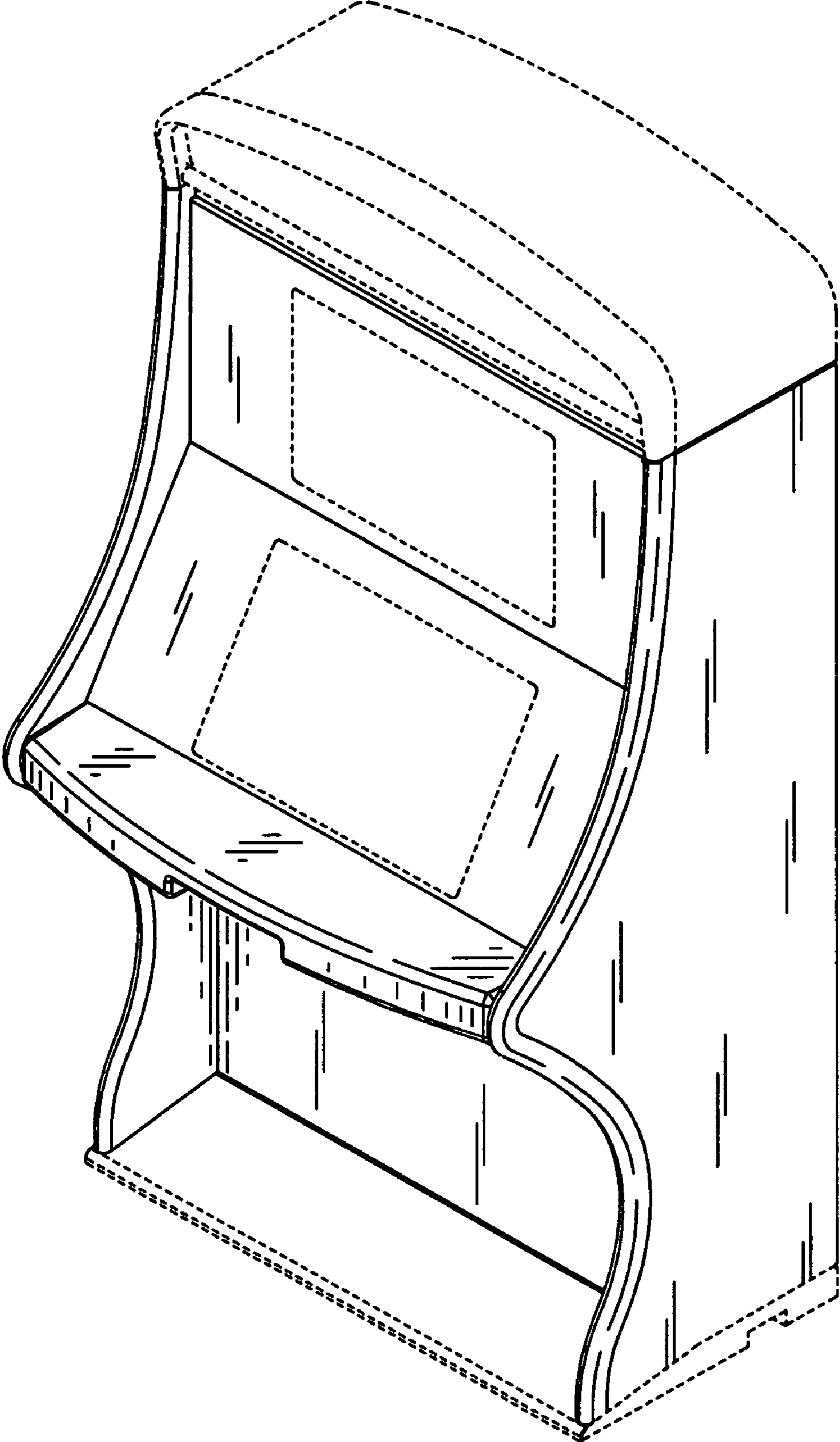


*Fig. 6*

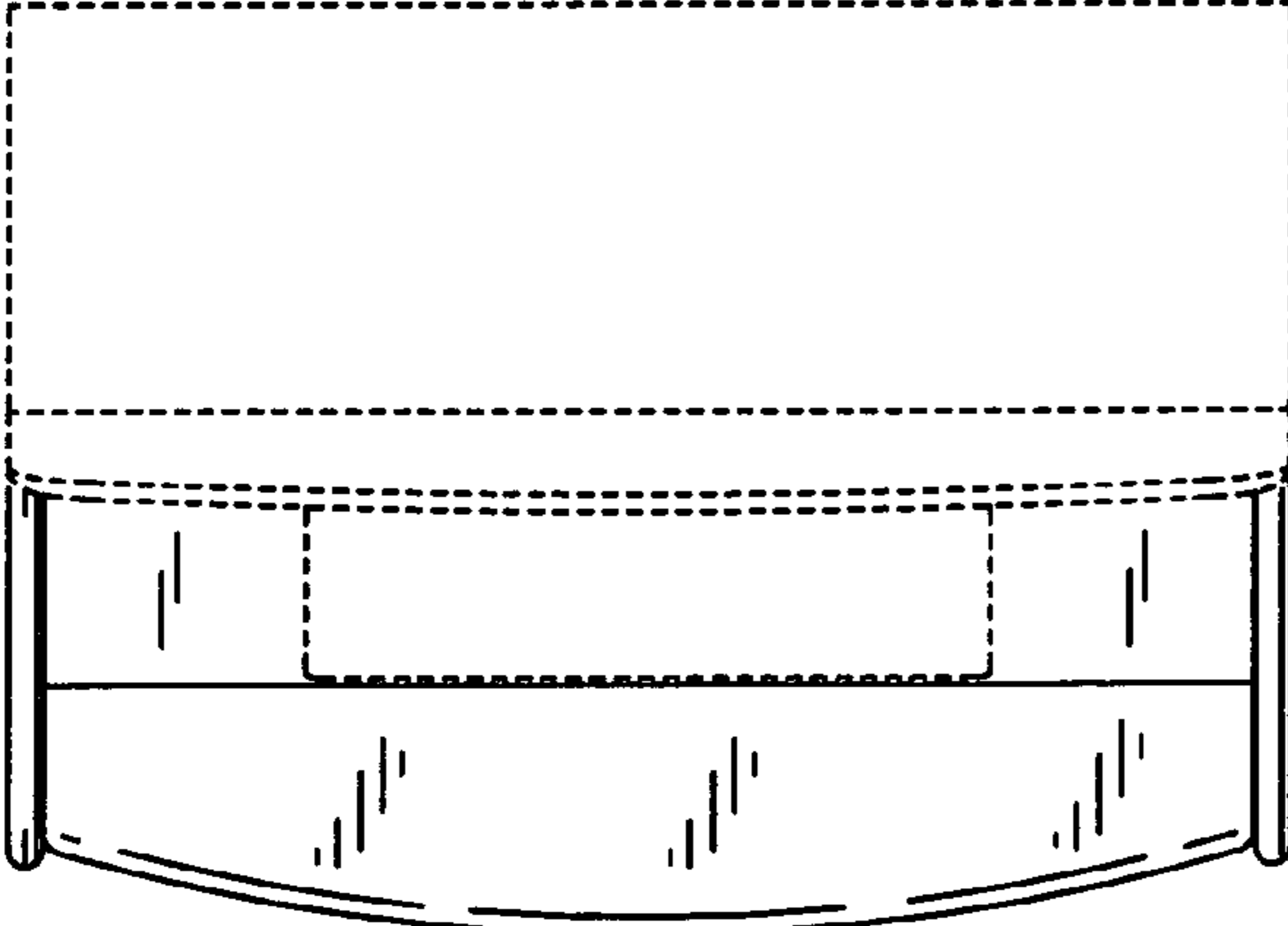


*Fig. 7*

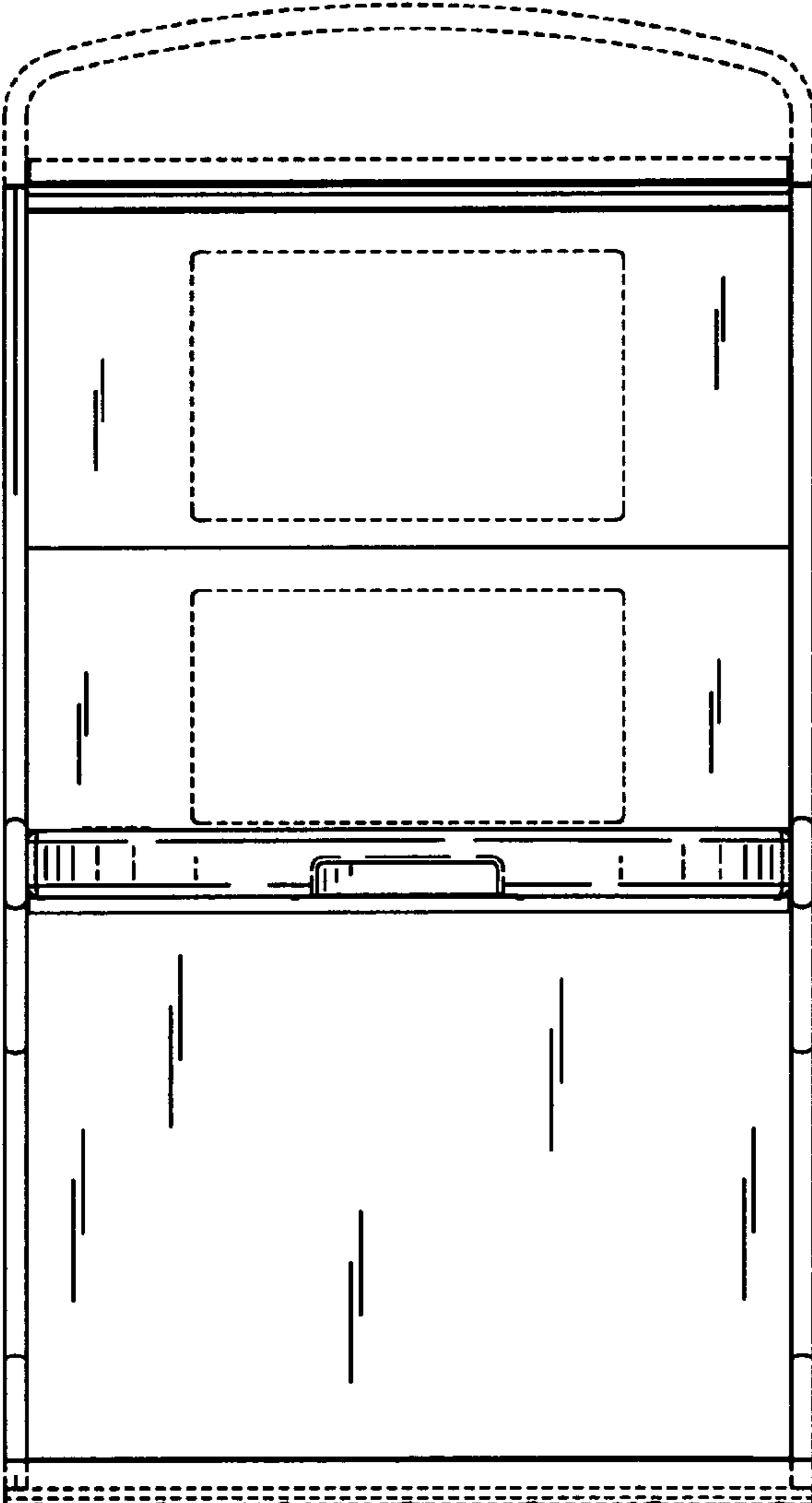




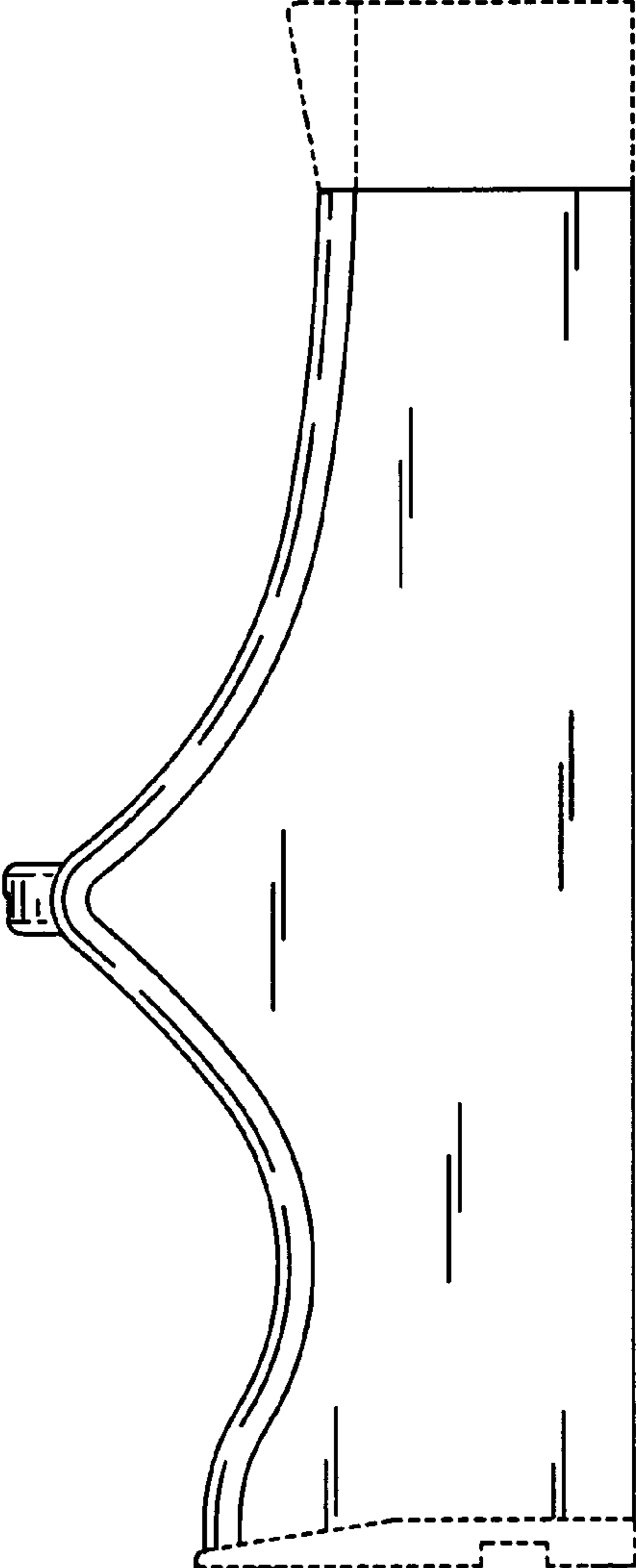
*Fig. 8*



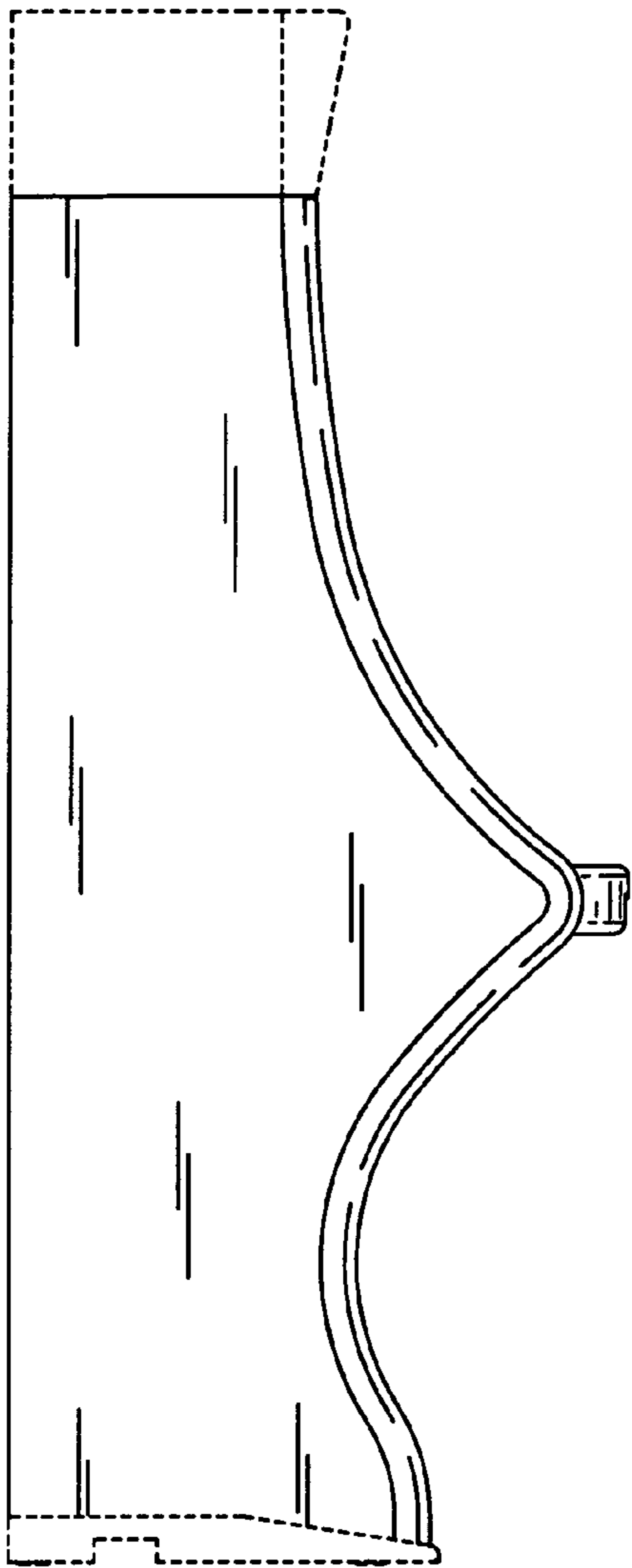
*Fig. 9*



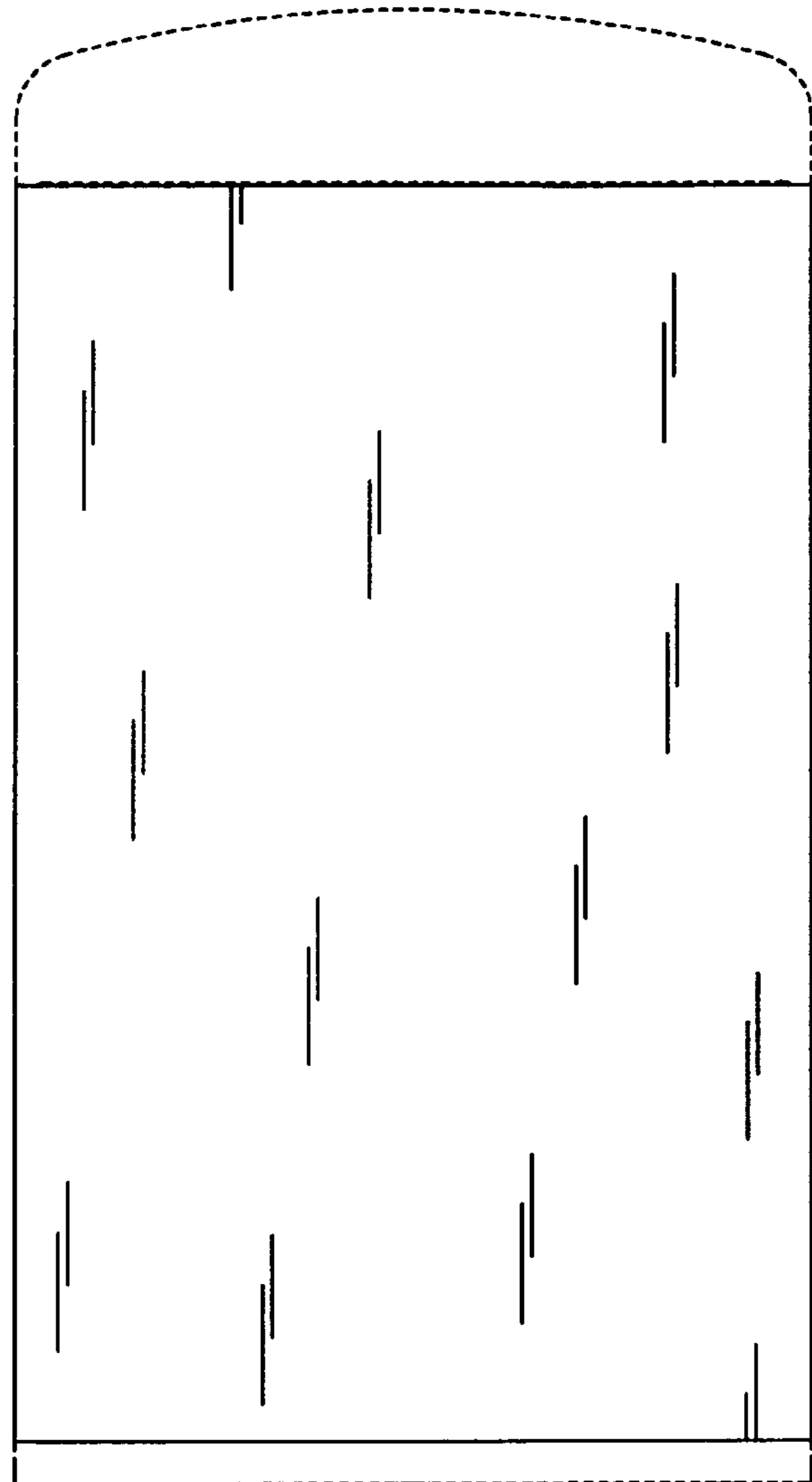
*Fig. 10*



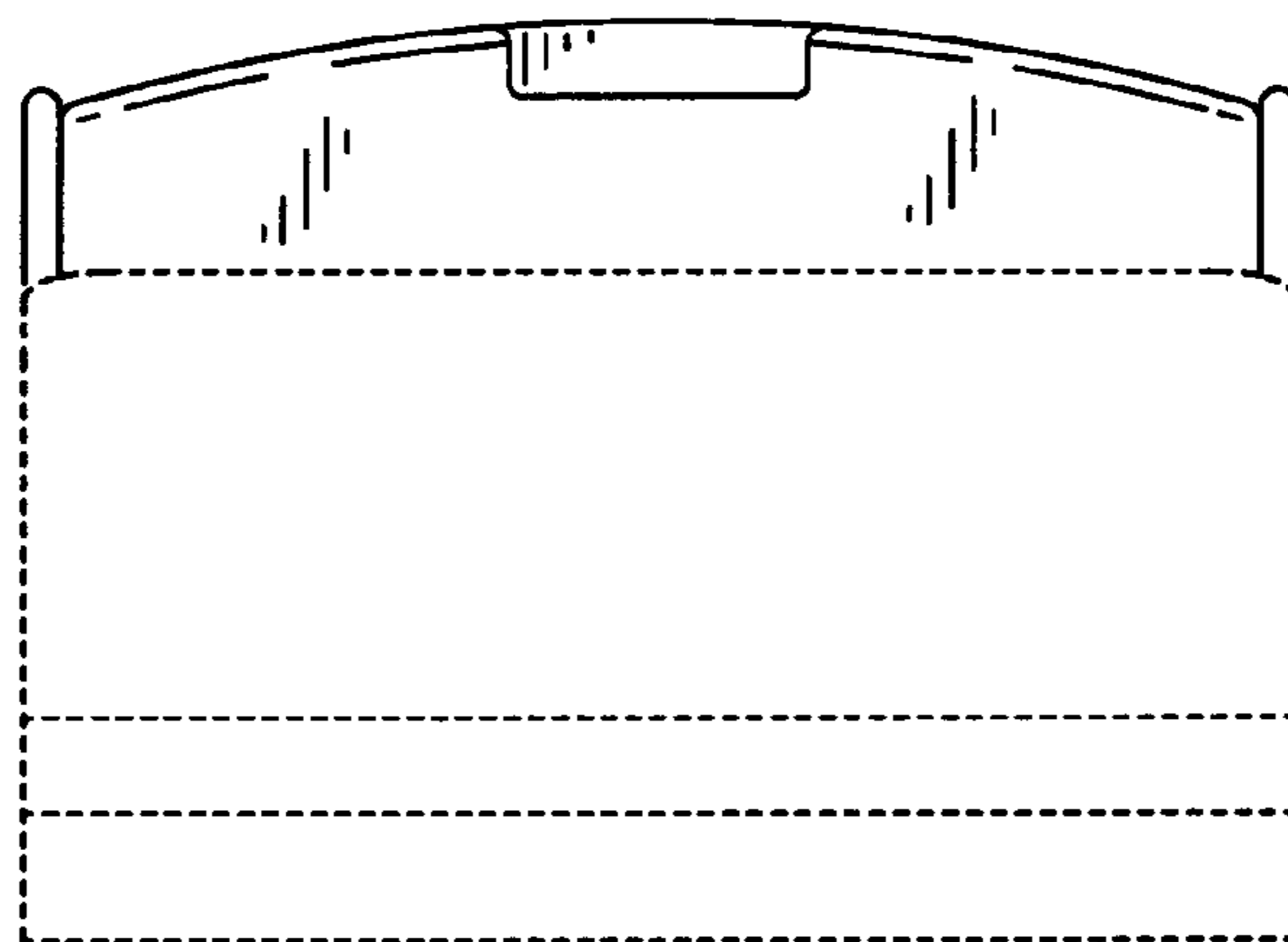
*Fig. 11*



*Fig. 12*



*Fig. 13*



*Fig. 14*