



US00D626181S

(12) **United States Design Patent**
Lima

(10) **Patent No.:** **US D626,181 S**

(45) **Date of Patent:** **** Oct. 26, 2010**

(54) **GOLF TOSS GAME**

(76) **Inventor:** **Pedro Santos Lima**, 664 Weeden St.,
Pawtucket, RI (US) 02860

(**) **Term:** **14 Years**

(21) **Appl. No.:** **29/316,160**

(22) **Filed:** **Aug. 31, 2009**

(51) **LOC (9) Cl.** **21-01**

(52) **U.S. Cl.** **D21/302**

(58) **Field of Classification Search** D21/300–304,
D21/309, 435, 461, 699, 712; 273/331–335,
273/348, 317, 343; 473/575, 576, 514, 476,
473/577, 454

See application file for complete search history.

(56) **References Cited**

U.S. PATENT DOCUMENTS

4,487,419	A	12/1984	Welbourn	
D333,683	S *	3/1993	Trachet D21/302
5,575,480	A	11/1996	Wehr	
5,954,337	A *	9/1999	Cunningham 273/338
6,308,956	B1	10/2001	Reid	
D478,938	S *	8/2003	Vande Hey et al. D21/302
D478,939	S *	8/2003	McReynolds D21/302
6,773,014	B2	8/2004	Lynch	
6,889,982	B1	5/2005	Gove	
7,198,273	B1	4/2007	Advocate	

7,328,902	B1 *	2/2008	White et al. 273/343
7,377,516	B2 *	5/2008	Vallee et al. 273/343
D570,417	S *	6/2008	Poe et al. D21/302
D576,685	S *	9/2008	Queally D21/302
D591,358	S *	4/2009	Moore D21/302
2002/0084588	A1 *	7/2002	Lynch 273/343
2005/0082761	A1 *	4/2005	Lynch 273/343
2009/0278316	A1 *	11/2009	LaMarte et al. 273/343
2009/0278317	A1 *	11/2009	Lima 273/343

* cited by examiner

Primary Examiner—Prabhakar Deshmukh

(74) *Attorney, Agent, or Firm*—Theresa M. Seal

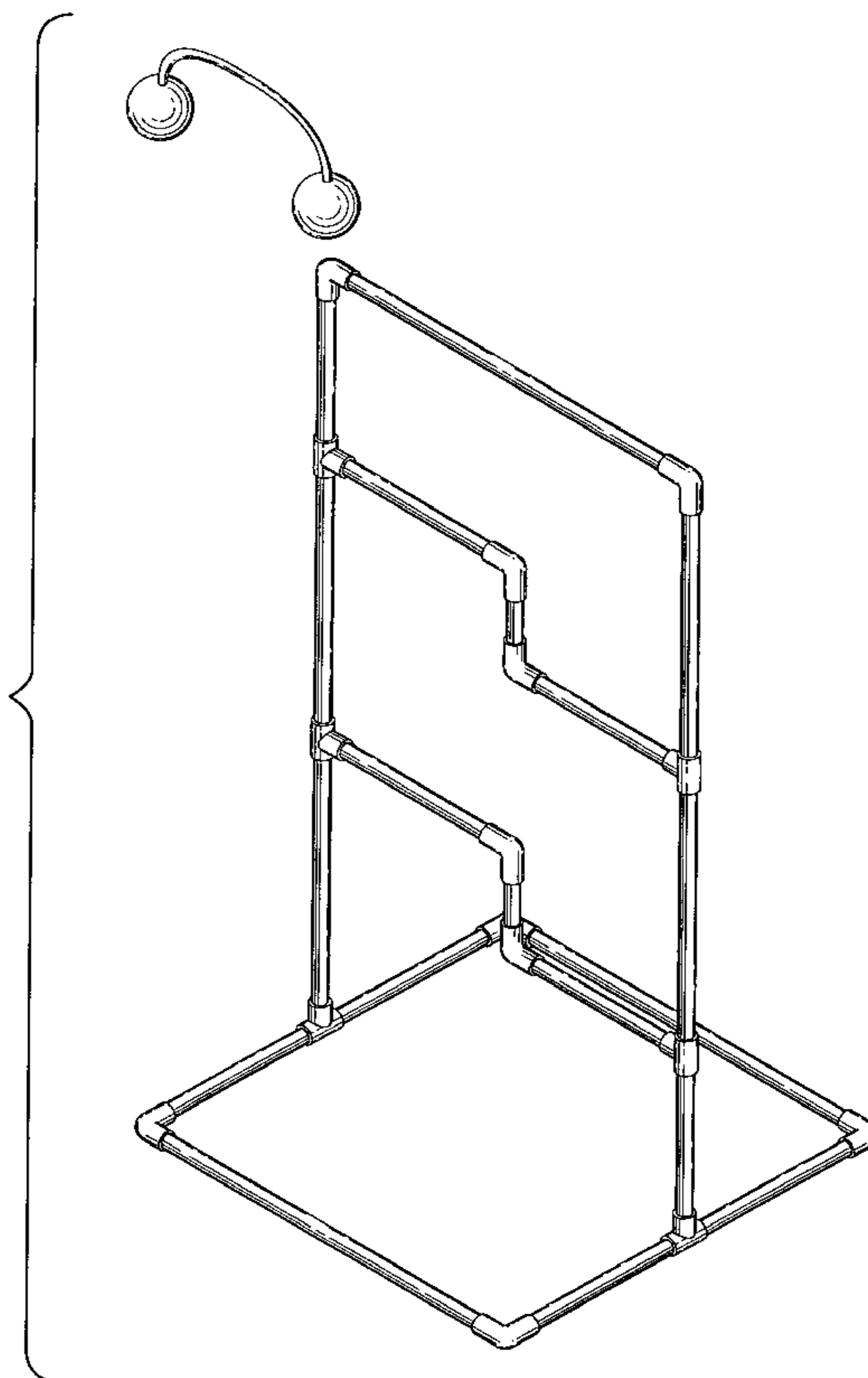
(57) **CLAIM**

The ornamental design for a golf toss game, as shown and described.

DESCRIPTION

FIG. 1 is a perspective view of the golf toss game;
FIG. 2 is a front elevational view of thereof; the rear elevational view being a mirror image thereof;
FIG. 3 is a right side view thereof;
FIG. 4 is a left side view thereof;
FIG. 5 is a top plan view thereof; and,
FIG. 6 is a bottom plan view thereof.

1 Claim, 5 Drawing Sheets



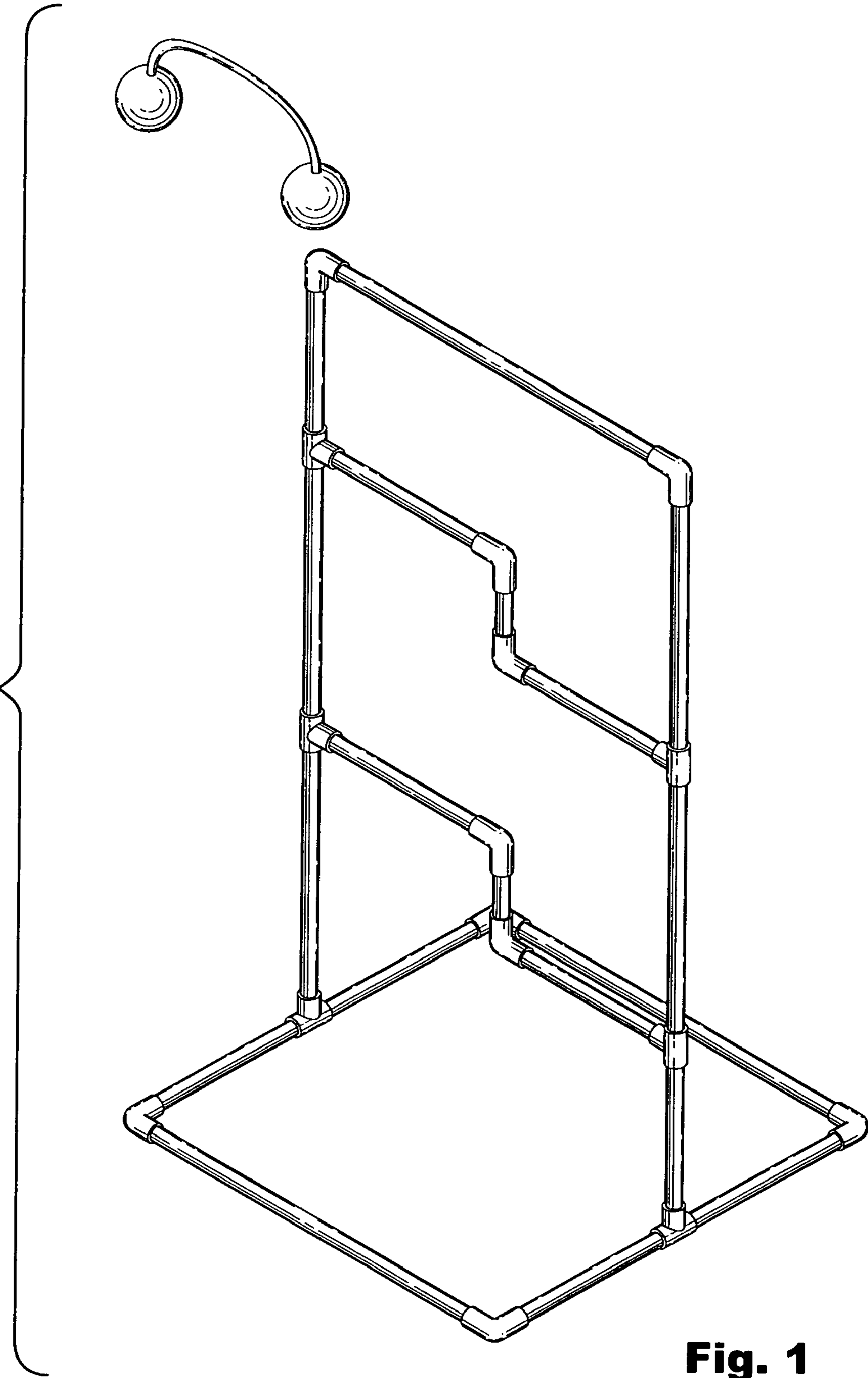


Fig. 1

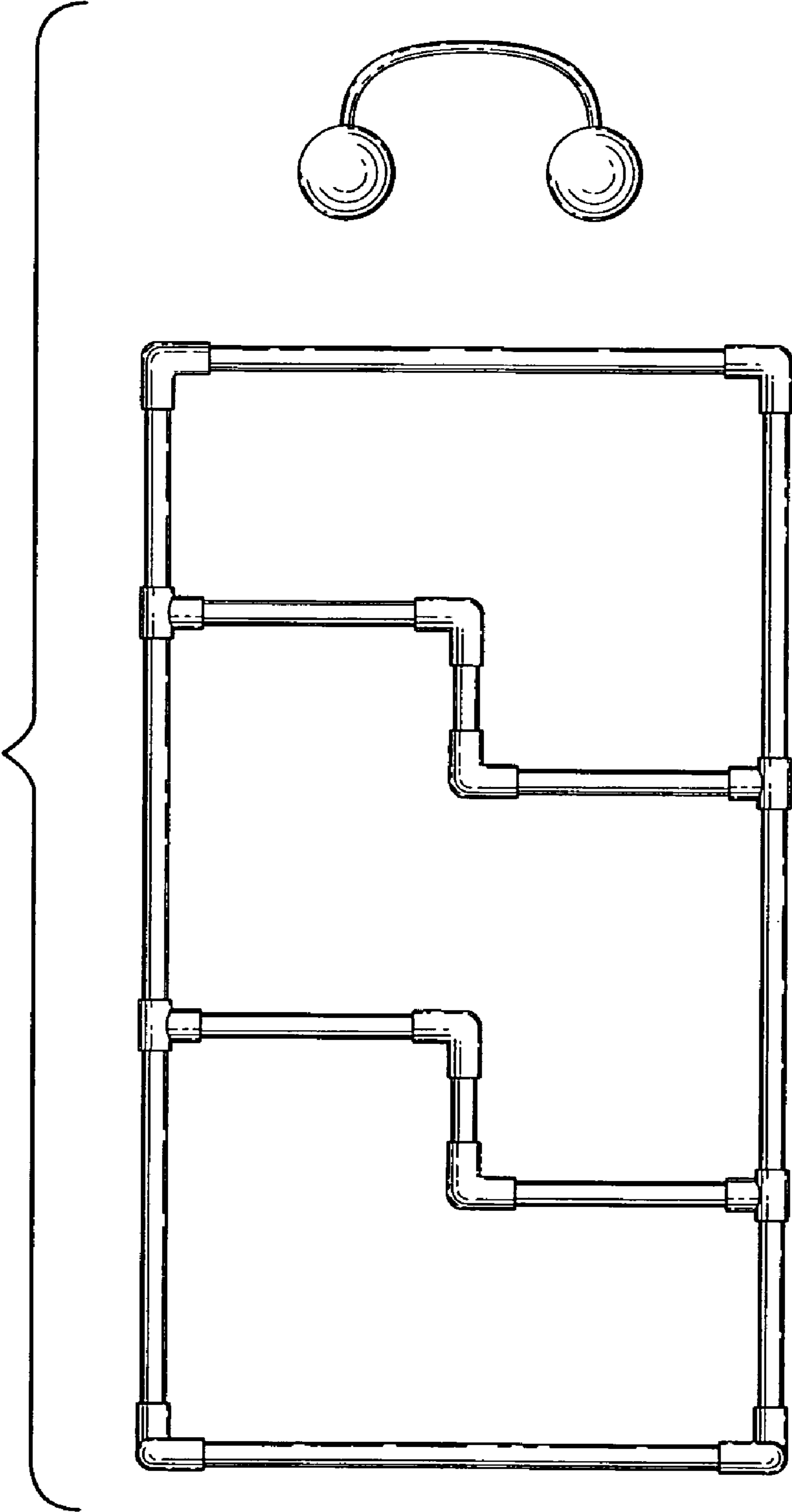


Fig. 2

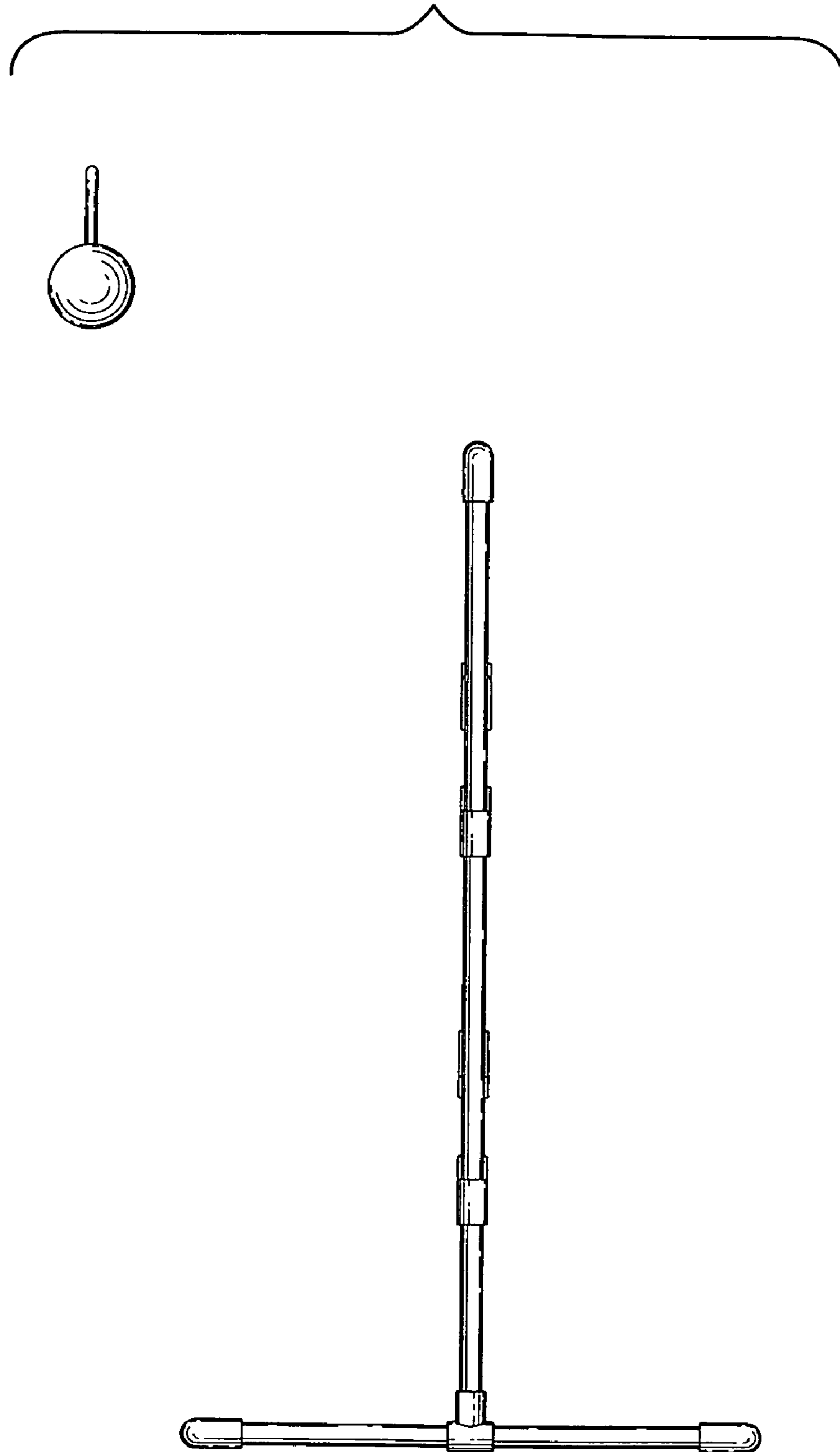


Fig. 3

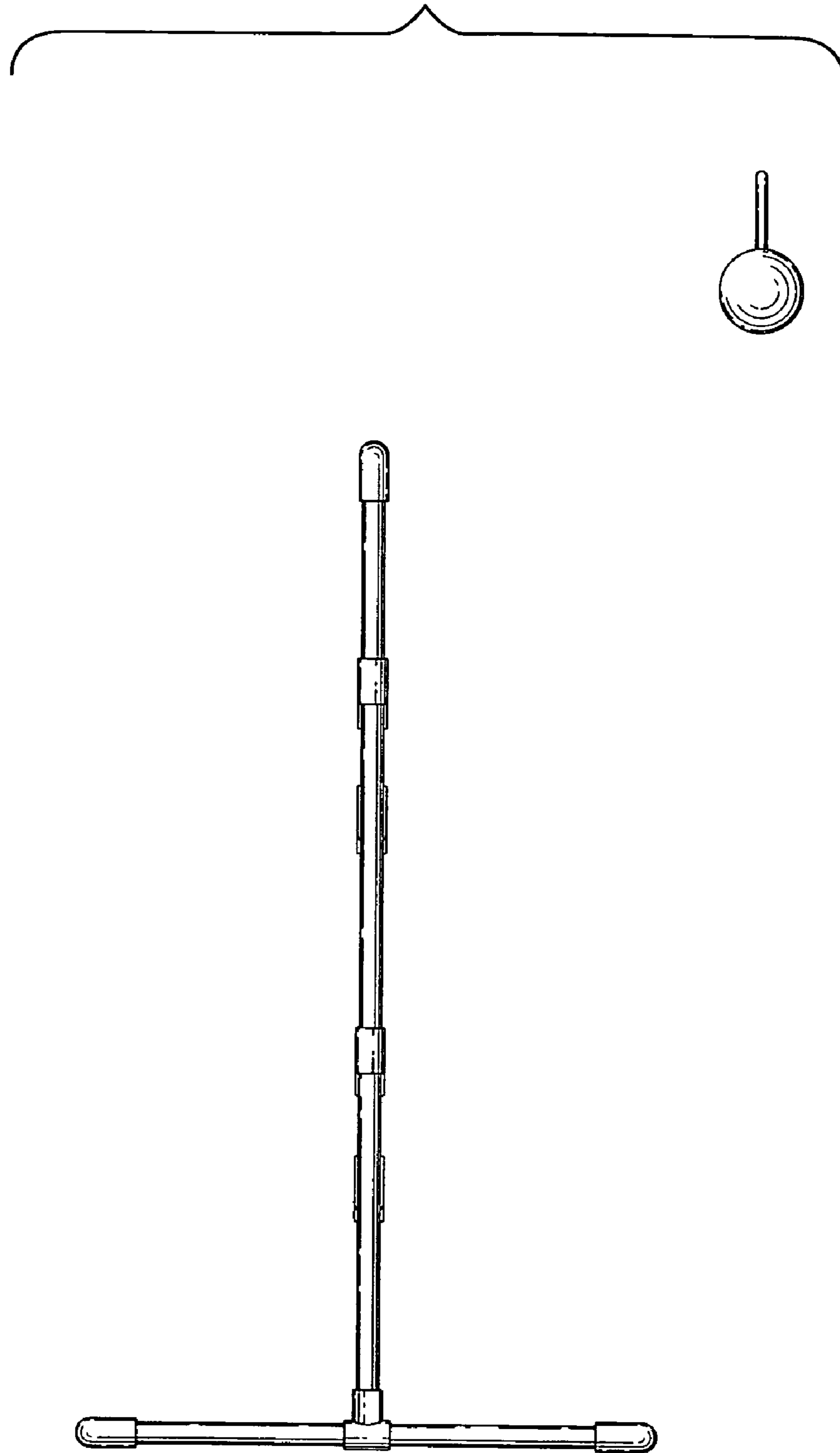


Fig. 4

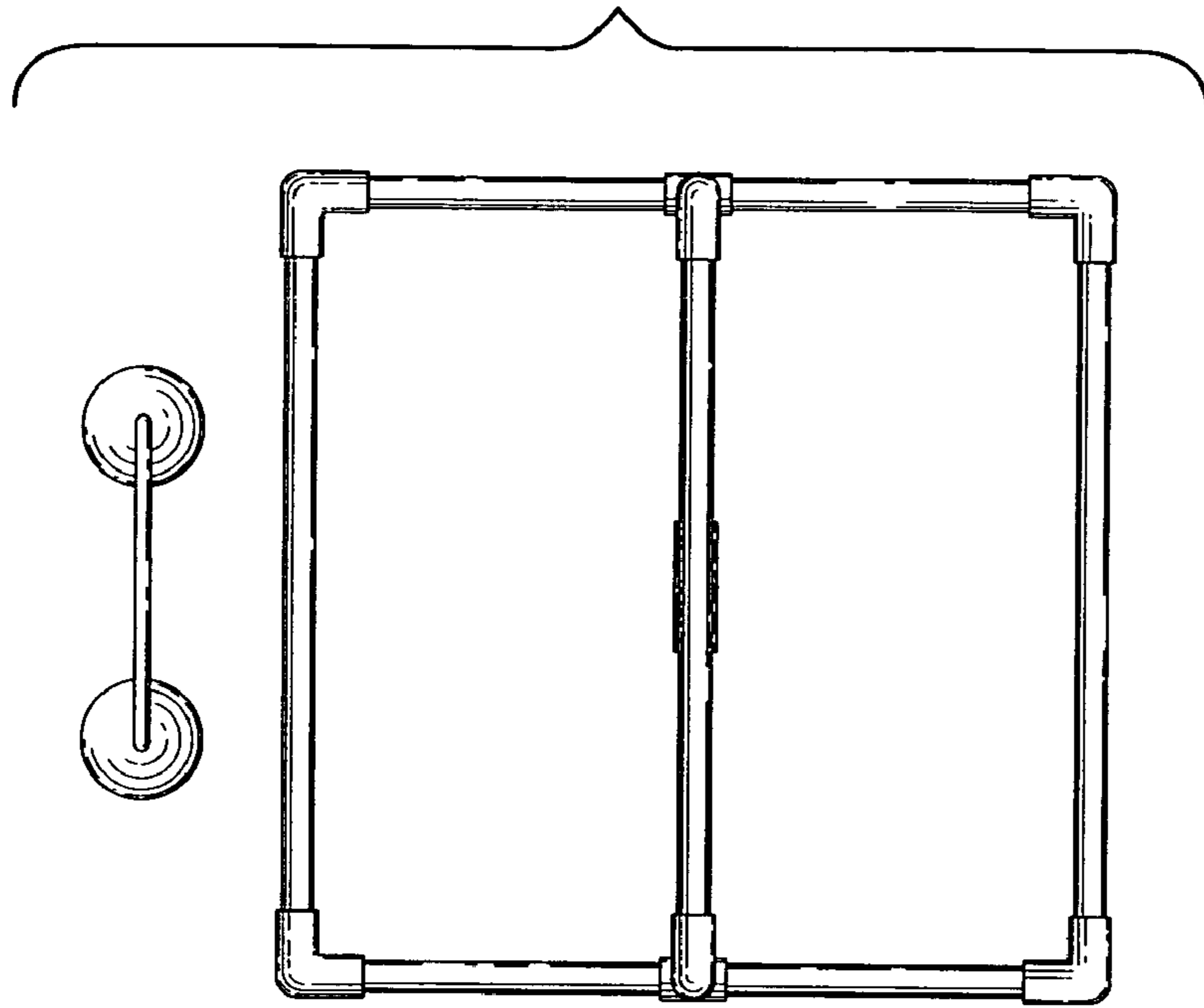


Fig. 5

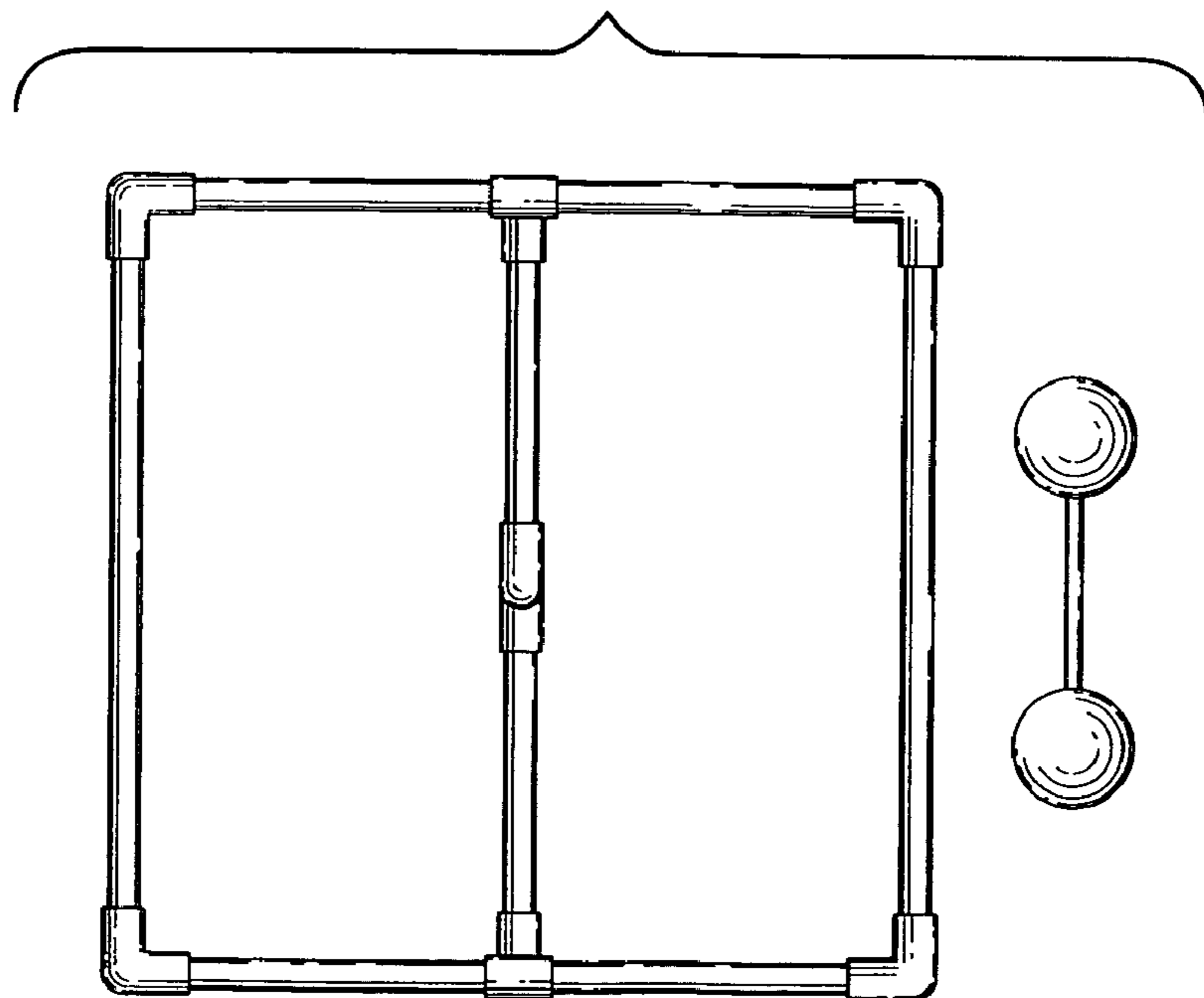


Fig. 6