



US00D626180S

(12) **United States Design Patent**  
**Dallatezza**

(10) **Patent No.:** **US D626,180 S**  
(45) **Date of Patent:** **\*\* Oct. 26, 2010**

(54) **PORTABLE SIGN SUPPORT**

(76) Inventor: **Vanessa Lynn Dallatezza**, 1100 Light St., Baltimore, MD (US) 21230

(\*\*) Term: **14 Years**

(21) Appl. No.: **29/332,990**

(22) Filed: **Feb. 28, 2009**

(51) **LOC (9) Cl.** ..... **20-02**

(52) **U.S. Cl.** ..... **D20/43; D20/42**

(58) **Field of Classification Search** ..... D20/10, D20/17, 19, 39-43, 99; 40/299.01, 541, 40/572, 584, 606.01, 606.03, 607.11, 607.13, 40/611.13, 617, 642.02, 661, 661.01; D6/553, D6/556, 557, 567, 572, 349, 396, 406.3, 406.5, D6/480, 484; D8/349, 352, 363, 365, 366, D8/373; D10/104, 109; D11/132, 143, 144, D11/146, 181, 182; 248/121, 124.1, 289.31, 248/511, 519, 904, 915; 362/812  
See application file for complete search history.

(56) **References Cited**

**U.S. PATENT DOCUMENTS**

1,226,357	A *	5/1917	Morgan	40/572
1,531,266	A *	3/1925	Anderson	40/617
D75,598	S *	6/1928	Priest	D8/363
1,691,520	A *	11/1928	Ireland	40/572
1,915,511	A *	6/1933	Banse	40/572
D110,590	S *	7/1938	Sperry	D20/42
D137,993	S *	5/1944	Bencomo	D20/42
D172,815	S *	8/1954	Bell	D20/42
D173,849	S *	1/1955	Ohno	D8/352

D192,407	S *	3/1962	Purdy	D20/42
3,115,325	A *	12/1963	Batcha	248/289.31
4,263,739	A *	4/1981	Lee	40/607.13
D495,583	S *	9/2004	Senn	D8/344

\* cited by examiner

*Primary Examiner*—Mary Ann Calabrese  
(74) *Attorney, Agent, or Firm*—Kyle Vallecillo

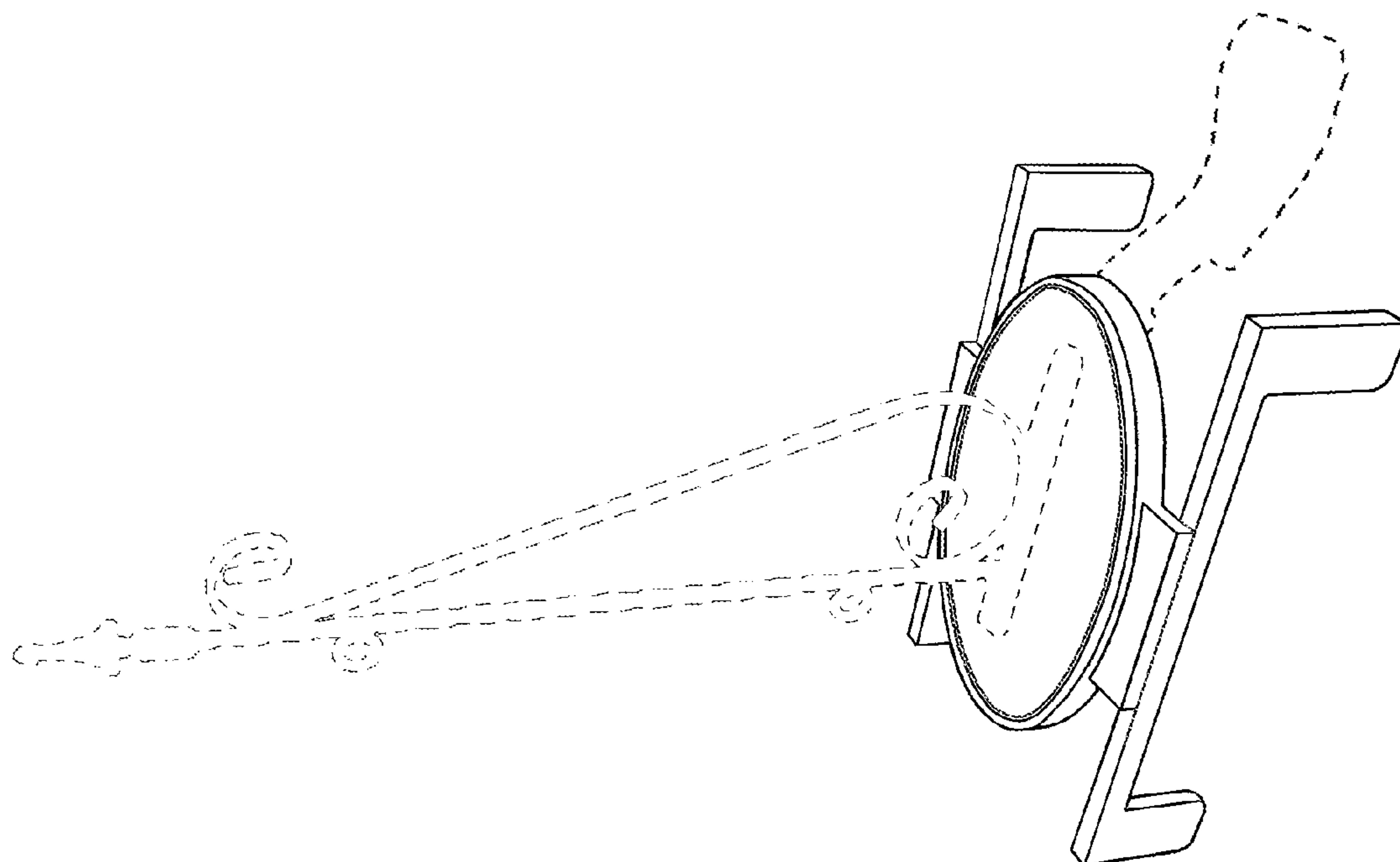
(57) **CLAIM**

The ornamental design for a portable sign support, as shown and described.

**DESCRIPTION**

FIG. 1 is a perspective view of a portable sign support apparatus showing my new design;  
FIG. 2 is another perspective view thereof shown from the opposite side;  
FIG. 3 is a side perspective view thereof;  
FIG. 4 is another side perspective view thereof, shown from the opposite side;  
FIG. 5 is an enlarged side view thereof;  
FIG. 6 is another enlarged side perspective view thereof, shown from the opposite side;  
FIG. 7 is top perspective view thereof;  
FIG. 8 is another enlarged top perspective view thereof; and,  
FIG. 9 is another top perspective view thereof.  
In the drawings, the broken lines illustrate environment and form no part of the claimed design.

**1 Claim, 6 Drawing Sheets**



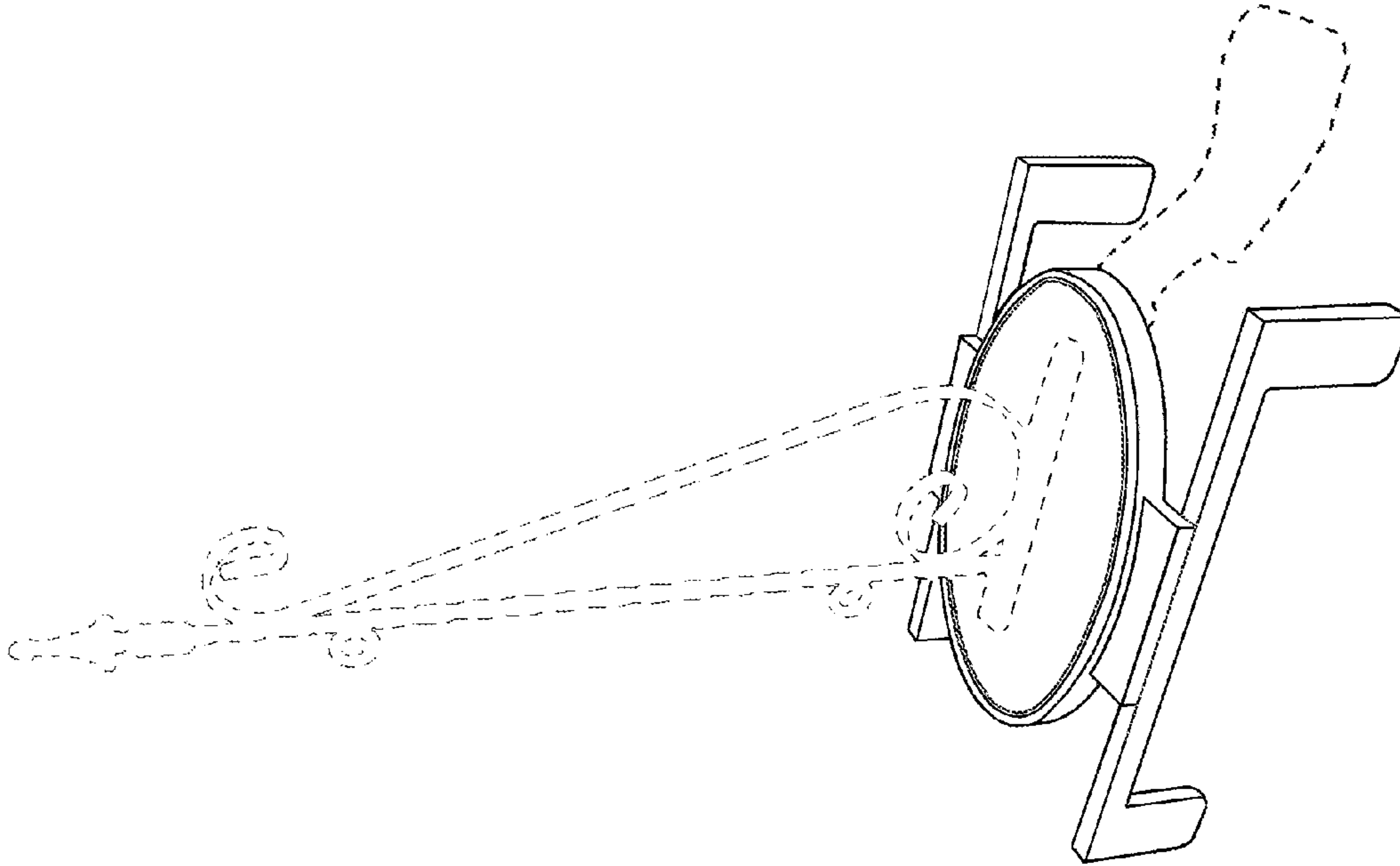


FIG. 1

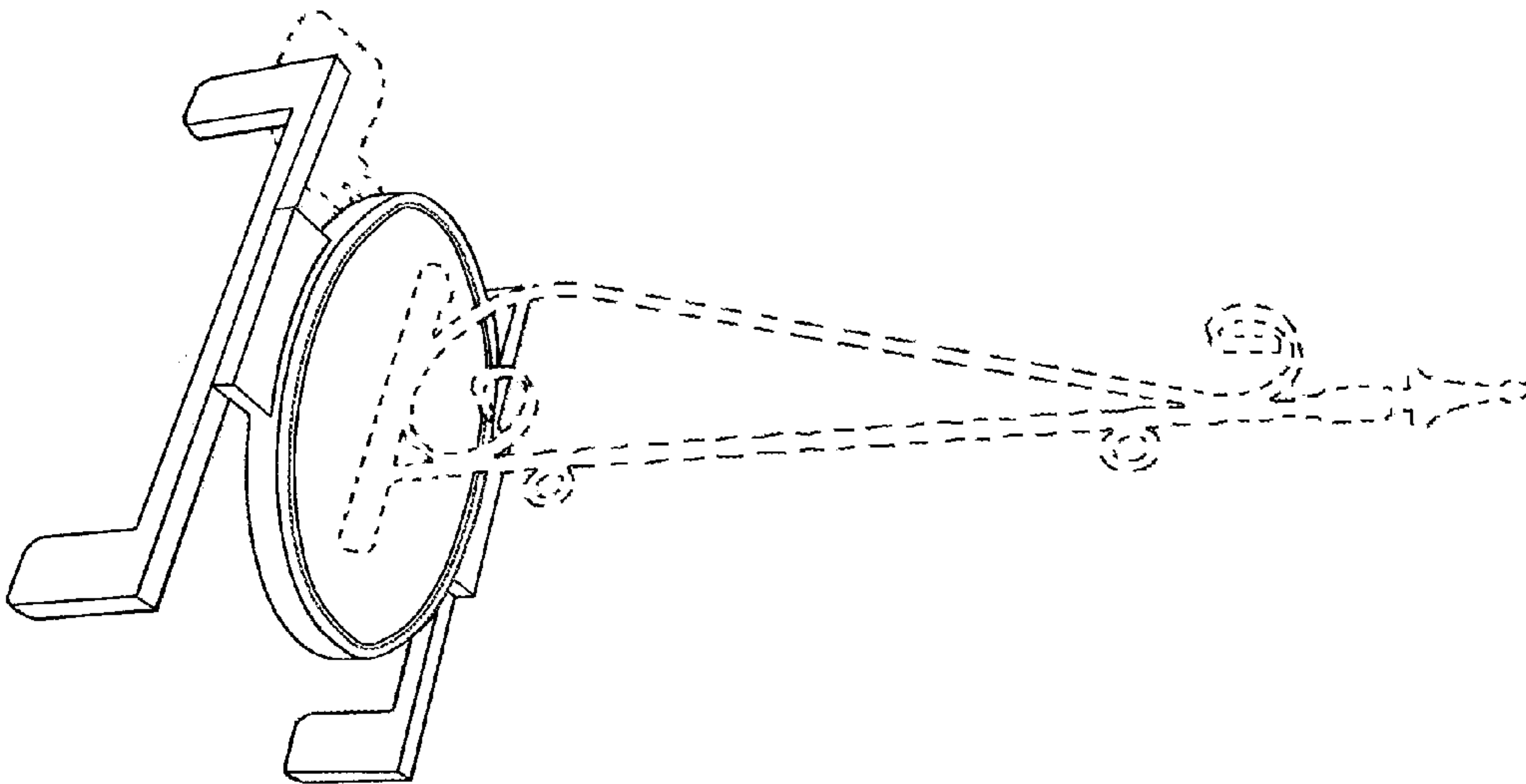


FIG. 2

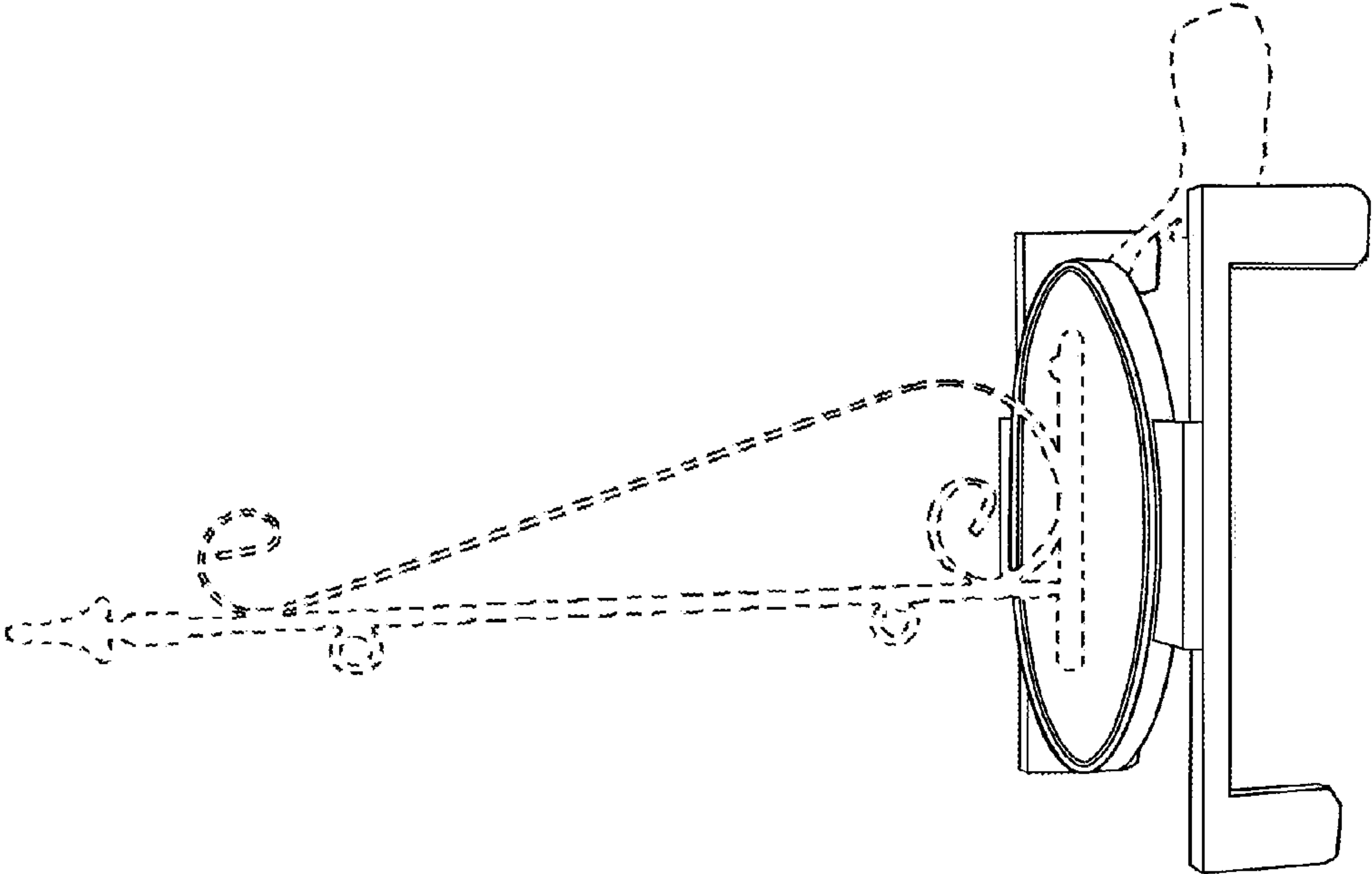


FIG. 3

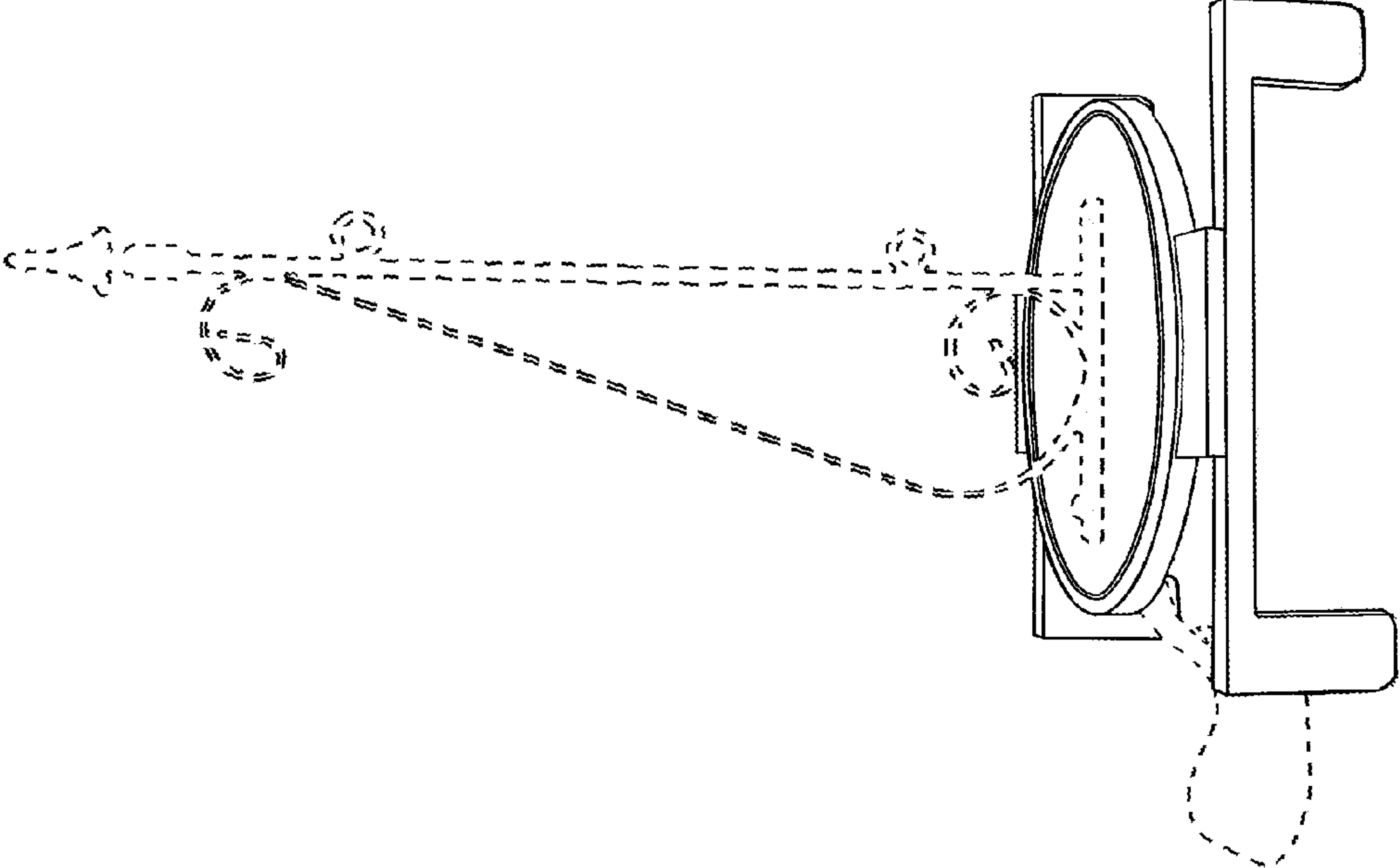


FIG. 4

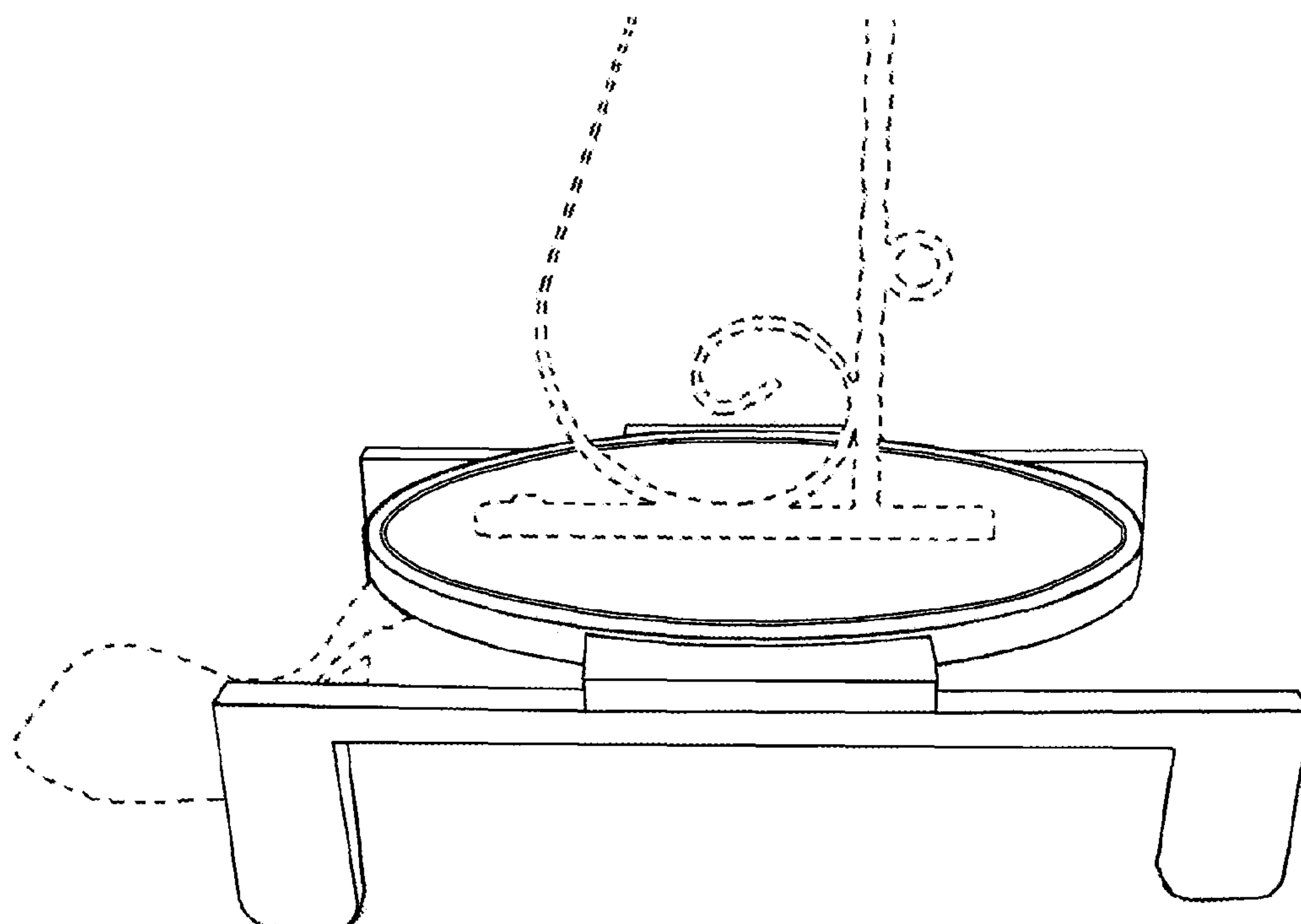


FIG. 5

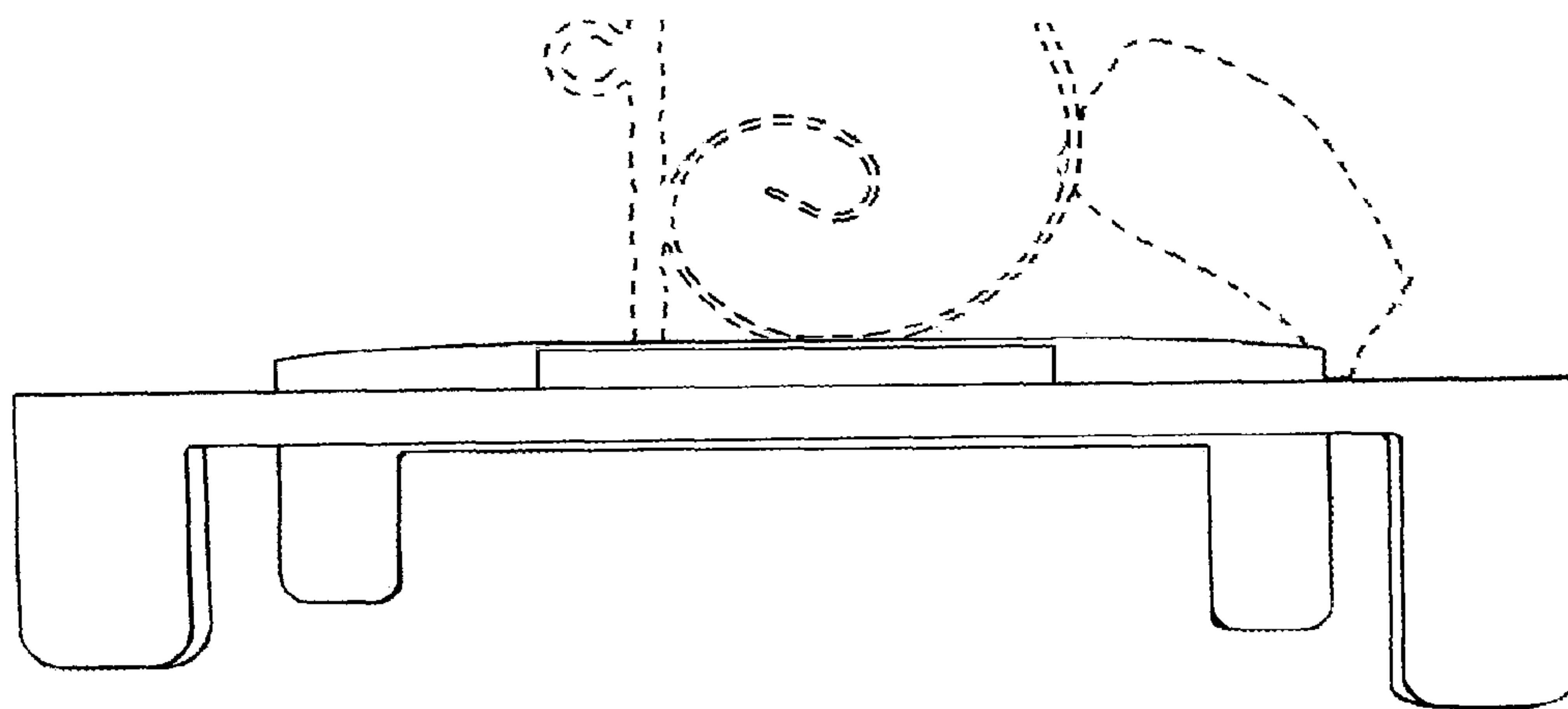


FIG. 6

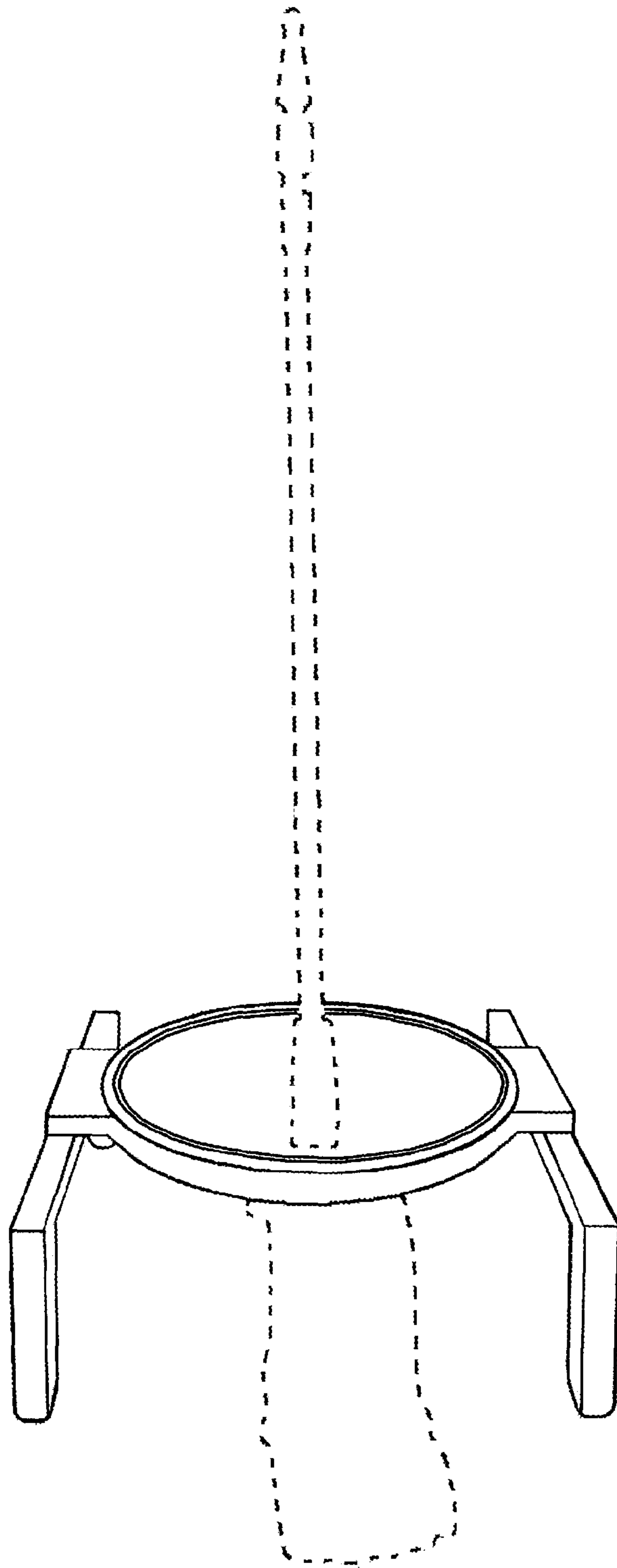


FIG. 7

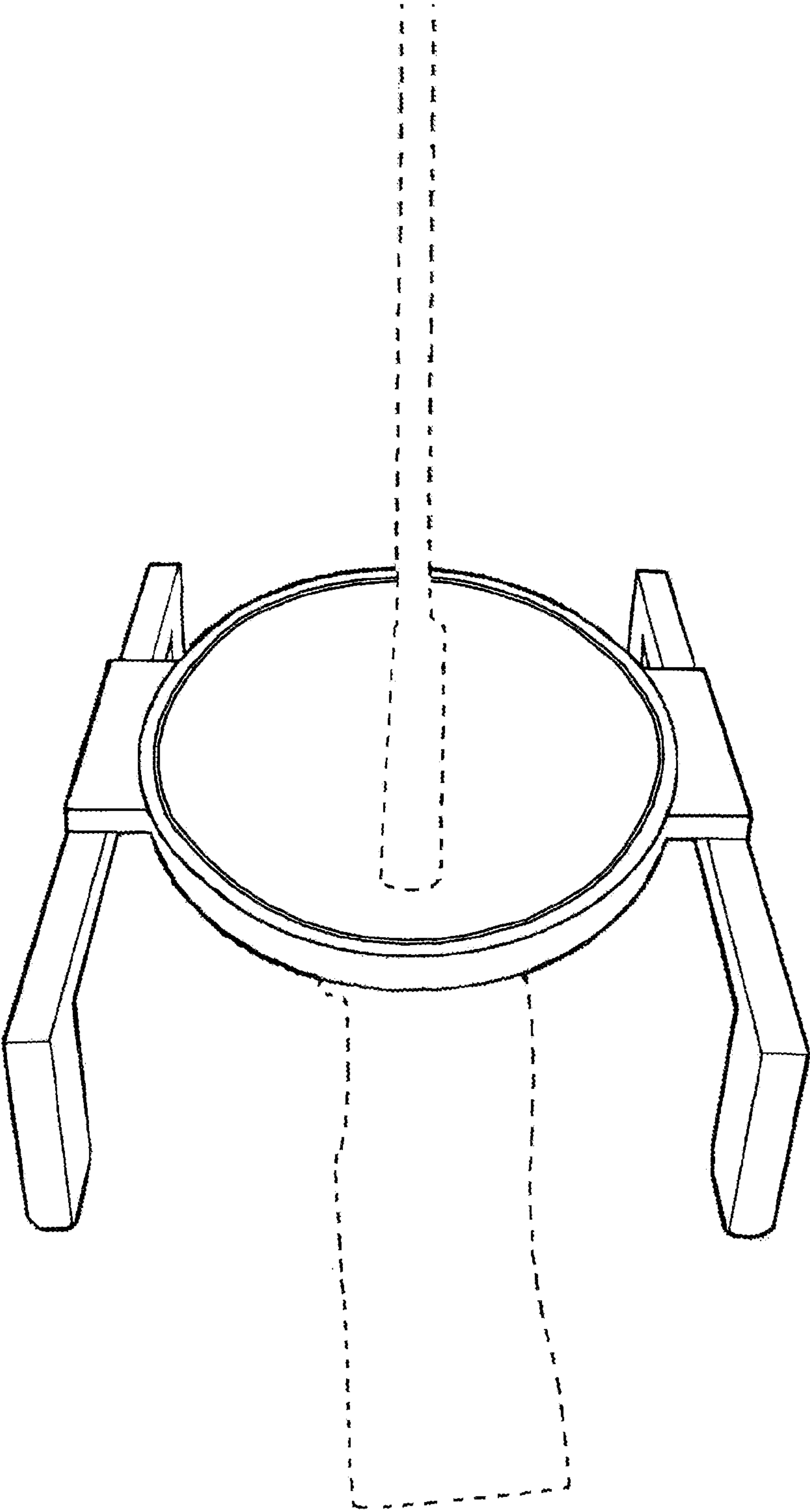


FIG. 8

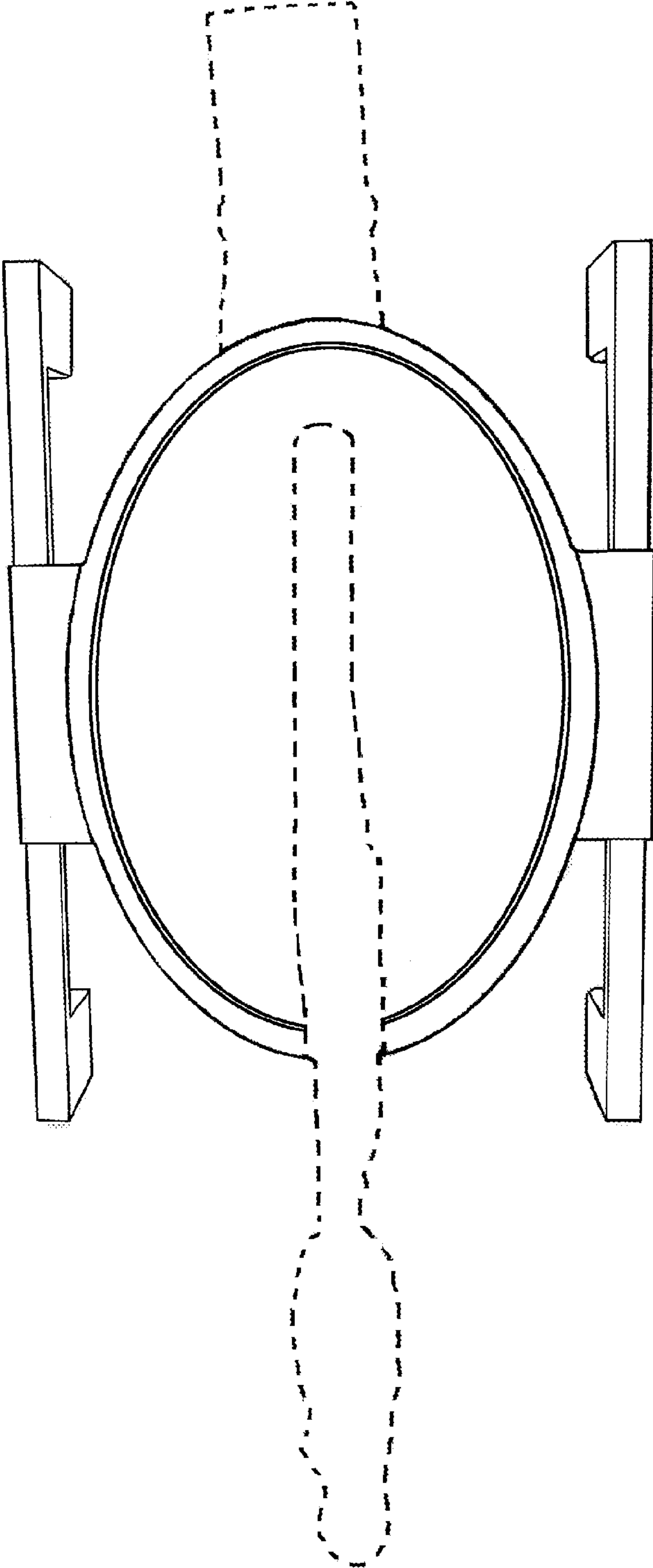


FIG. 9